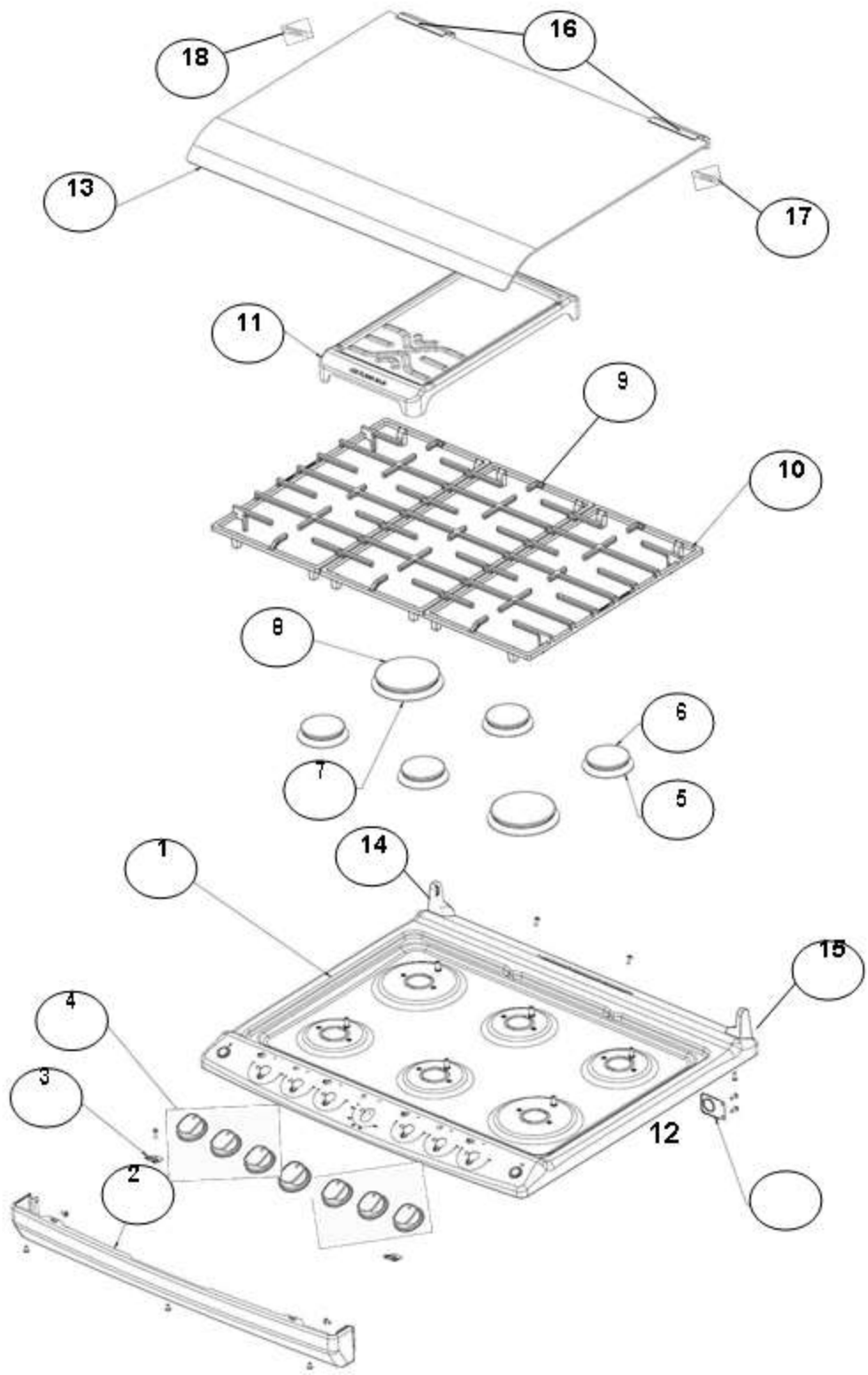




ESTUFA WF6046D00

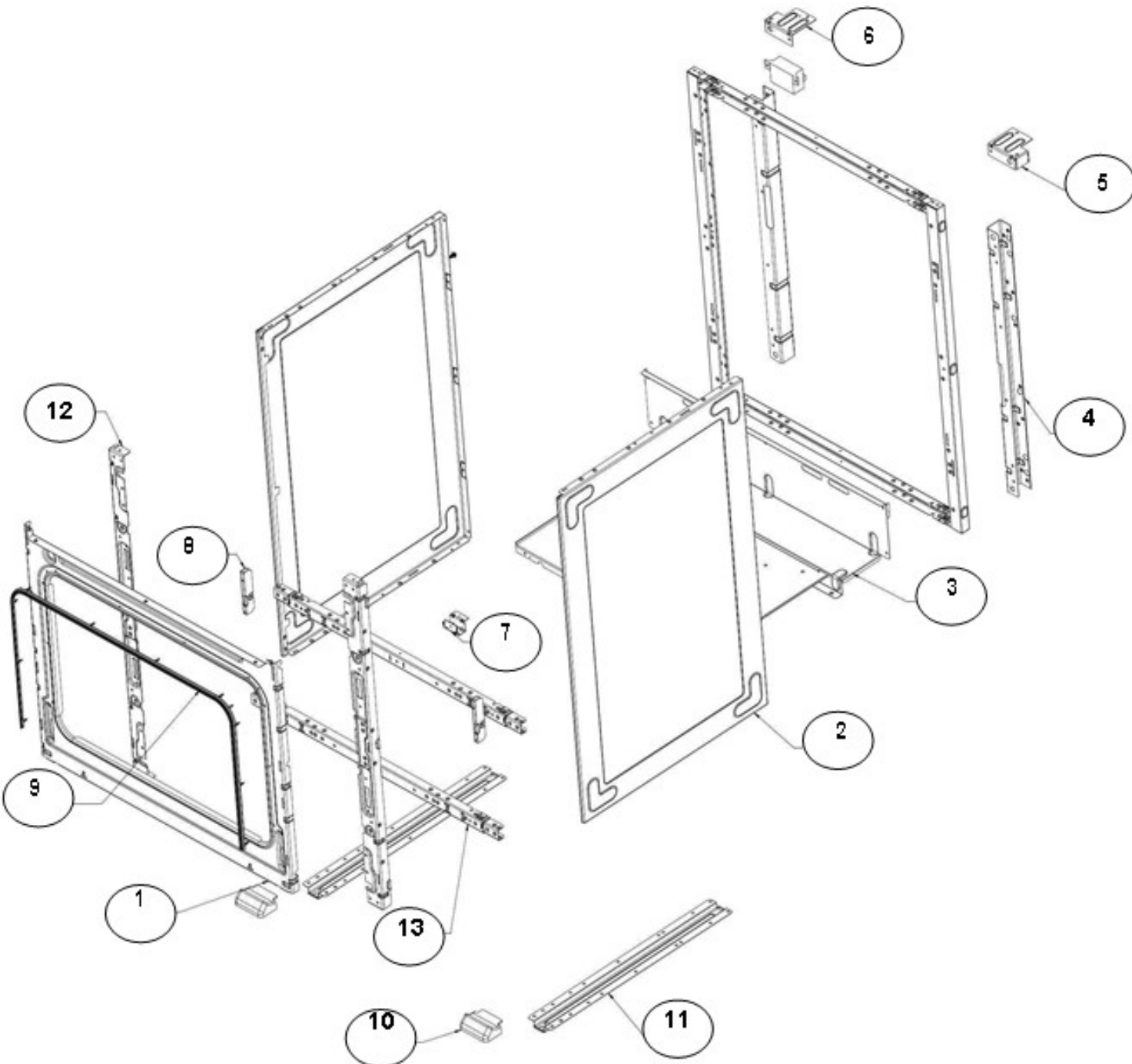


BENITO JUÁREZ #1500 GPE ZITON, CD. GUADALUPE NUEVO LEÓN TEL: 8183377999 Y 49
HORARIOS: LUNES A VIERNES 8:30 A 6:00 PM Y SÁBADOS DE 8:30 A 2:00 PM
WEB: www.denek.com

No. Ilus.	DESCRIPCIÓN	Cant.	No. de Parte
1	COOKTOP	1	W10497396
2	FRONT PANEL EXTENTION U STEEL	1	W10566801
3	FRONT CLIP COOKTOP	2	W10620563
4	SINGLE KNOB GRAY	7	W10797551
5	STD BURNER	4	W10354371
6	STD CAP BURNER	4	W10354292
7	SUPER BURNER	2	W10356319
8	SUPER BURNER CAP	2	W10354293
9	GRATE CENTRAL CAST IRON	1	W10469928
10	GRATE LATERAL CAST IRON	2	W10469929
11	GRIDDLE STAMPED-TEFLNIZED	1	W10387433
12	BRACKET MANIFOLD TUBE	1	W10381587
13	GLASS LID ASSY	1	W10625930
14	BRACKET - LS, GLASS LID - BLACK	1	W10546253
15	BRACKET - RS, GLASS LID - BLACK	1	W10546251
16	TRIM - GLASS LID, SHORT	2	W10477615
17	R.H. HINGE GLASS LID	1	W10206666
18	L.H. HINGE GLASS LID	1	W10206667
**	BUMPER GLASS LID	2	W10373346
	TORNILLO CUBIERTA QUEMADOR	*	W10146346



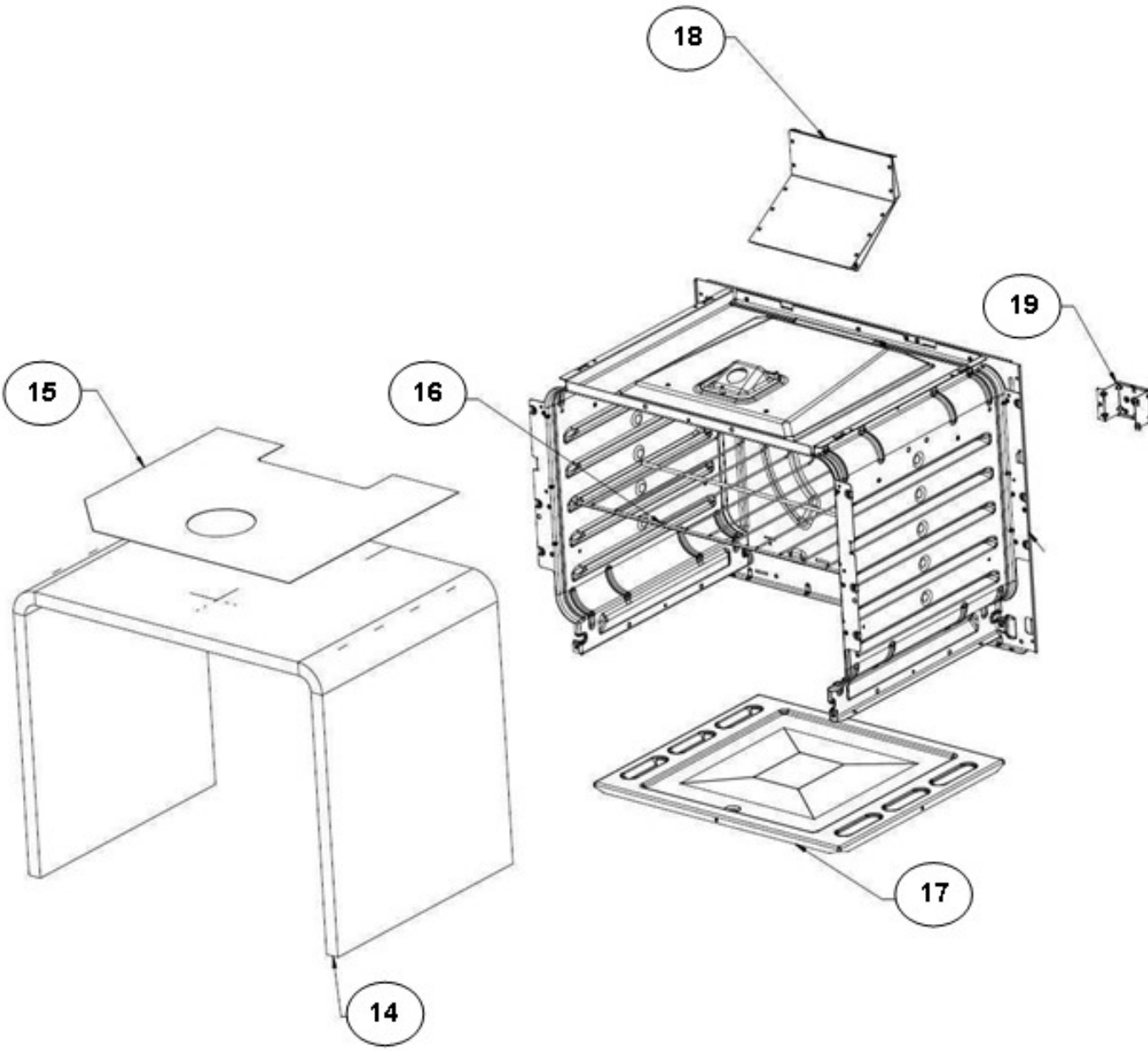
ESTUFA WF6046D00



BENITO JUÁREZ #1500 GPE ZITON, CD. GUADALUPE NUEVO LEÓN TEL: 8183377999 Y 49
HORARIOS: LUNES A VIERNES 8:30 A 6:00 PM Y SÁBADOS DE 8:30 A 2:00 PM
WEB: www.denek.com



ESTUFA WF6046D00

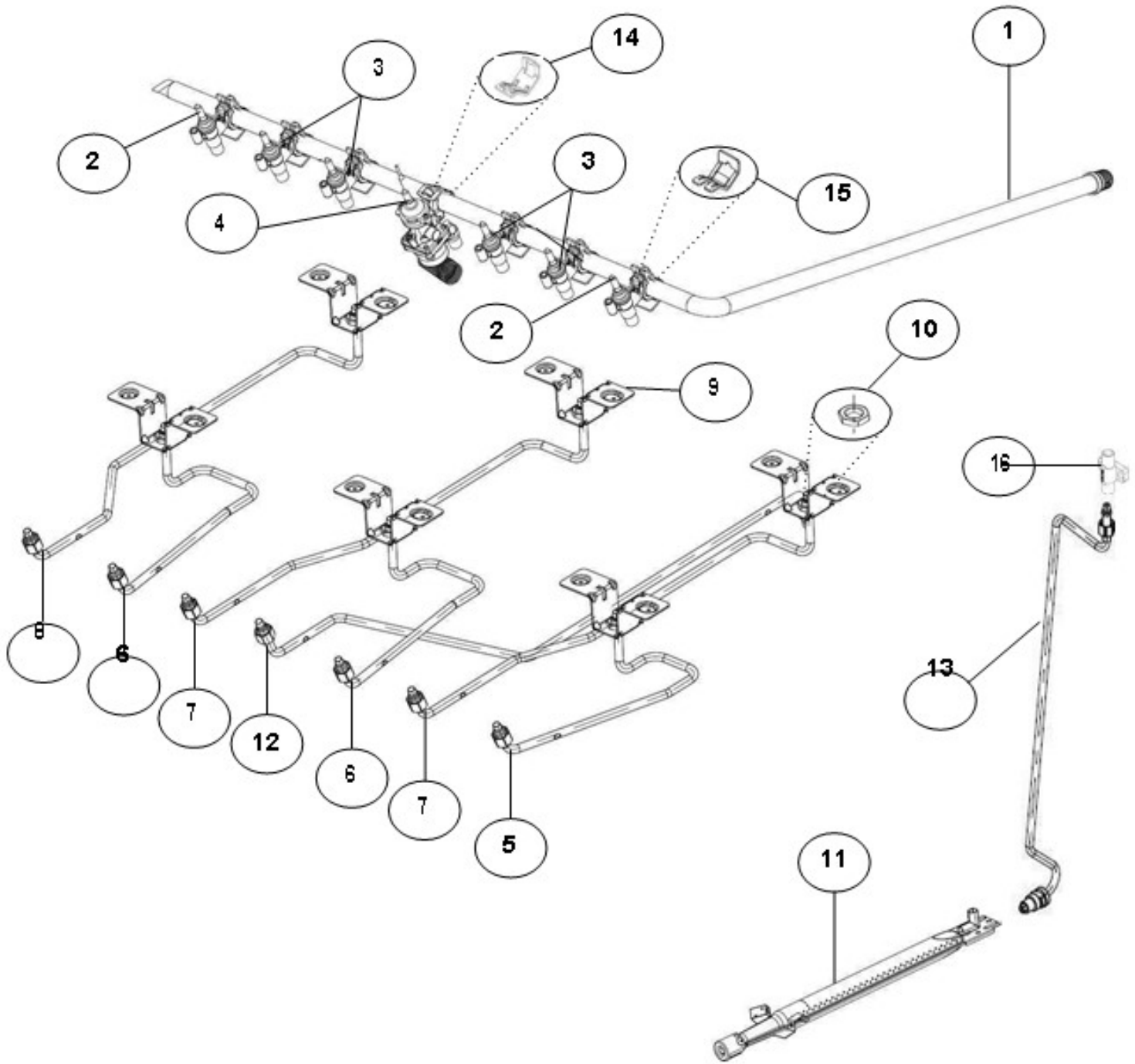


BENITO JUÁREZ #1500 GPE ZITON, CD. GUADALUPE NUEVO LEÓN TEL: 8183377999 Y 49
HORARIOS: LUNES A VIERNES 8:30 A 6:00 PM Y SÁBADOS DE 8:30 A 2:00 PM
WEB: www.denek.com

<u>No.</u> <u>Ilus.</u>	<u>DESCRIPCIÓN</u>	<u>Cant.</u>	<u>No. de Parte</u>
1	FRONT FRAME	1	W10448073
2	SIDE PANEL - MIDNIGHT GREY	2	W10354874
3	BROIL BACK COVER	1	W10515063
4	C - BRACKET	2	W10358263
5	CORNER BRACKET RH	1	W10364813
6	CORNER BRACKET LF	1	W10446940
7	FRONT BRACKET OVEN BURNER	1	W10387513
8	COUNTER SUPPORT	2	W10327222
9	OVEN DOOR SEAL	1	W10759584
10	BASE CORNER FRONT	2	W10596641
11	BASE RAIL	2	W10446524
12	CROSS SUPPORT - 30"	2	W10327223
13	FRONT VERTICAL PILLAR F/S	2	W10354862
14	OVEN INSULATION WRAPPER 30"	1	W10364807
15	ALUMINUM FOIL ULTRA	1	**
16	OVEN RACK	1	W10550642
17	OVEN BOTTOM 30"	1	W10764694
18	FLUE BOX ASM	1	W10742507
19	BRACKET OVEN BURNER	1	W10381594



ESTUFA WF6046D00

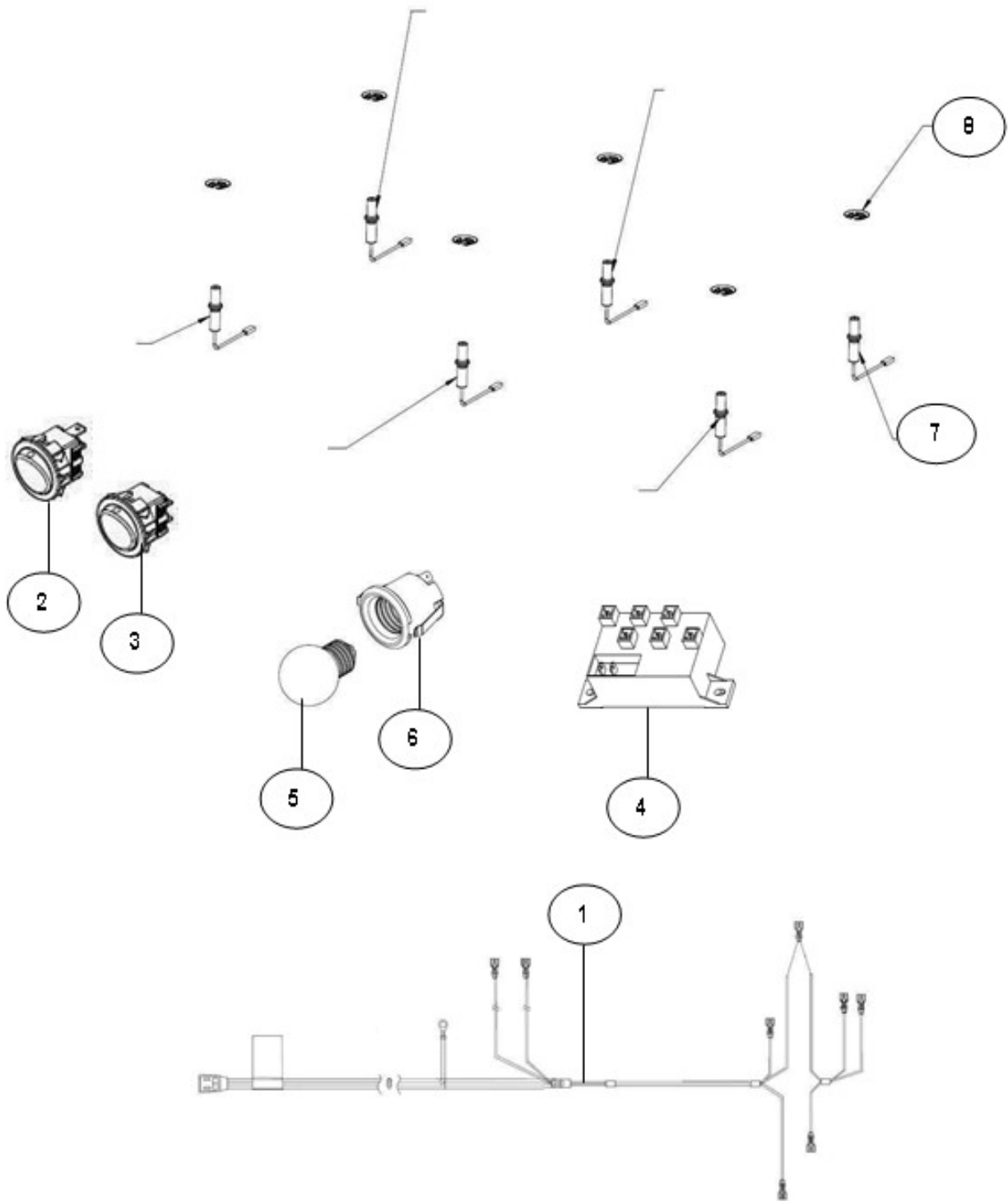


BENITO JUÁREZ #1500 GPE ZITON, CD. GUADALUPE NUEVO LEÓN TEL: 8183377999 Y 49
HORARIOS: LUNES A VIERNES 8:30 A 6:00 PM Y SÁBADOS DE 8:30 A 2:00 PM
WEB: www.denek.com

No. Ilus.	DESCRIPCIÓN	Cant.	No. de Parte
1	MANIFOLD TUBE	1	W10381640
2	VALVE SURF ZAMAK TUB.SUP	2	W10452673
3	VALVE SURF ZAMAK TUB.STD	4	W10452660
4	THERMOSTAT	**	W10444637
5	FRONT TUBING ASM - SUP	1	W10556803
6	FRONT TUBING ASM - STD	2	W10556804
7	REAR TUBING ASM - STD	2	W10494192
8	REAR TUBING ASM - SUP	1	W10556806
9	BRACKET - SURFACE BURNER	6	W10354300
10	NUT BRACKET TUBING	6	98017323
11	OVEN BURNER	1	W10646982
12	OVEN TUBING - UPPER THERMOSTAT	1	W10647686
13	TUBING ASSY BOTTOM - OVEN	1	**
14	SADDLE CONNECTION	1	W10075697
15	SADDLE CONNECTION	6	W10075697
16	OVEN TUBING CONNECTOR	1	**
**	MANIFOLD TUBE ASSY	**	W10381628
**	KIT CONV NG	**	W10513462
**	KIT CONV LP	**	W10513460



ESTUFA WF6046D00

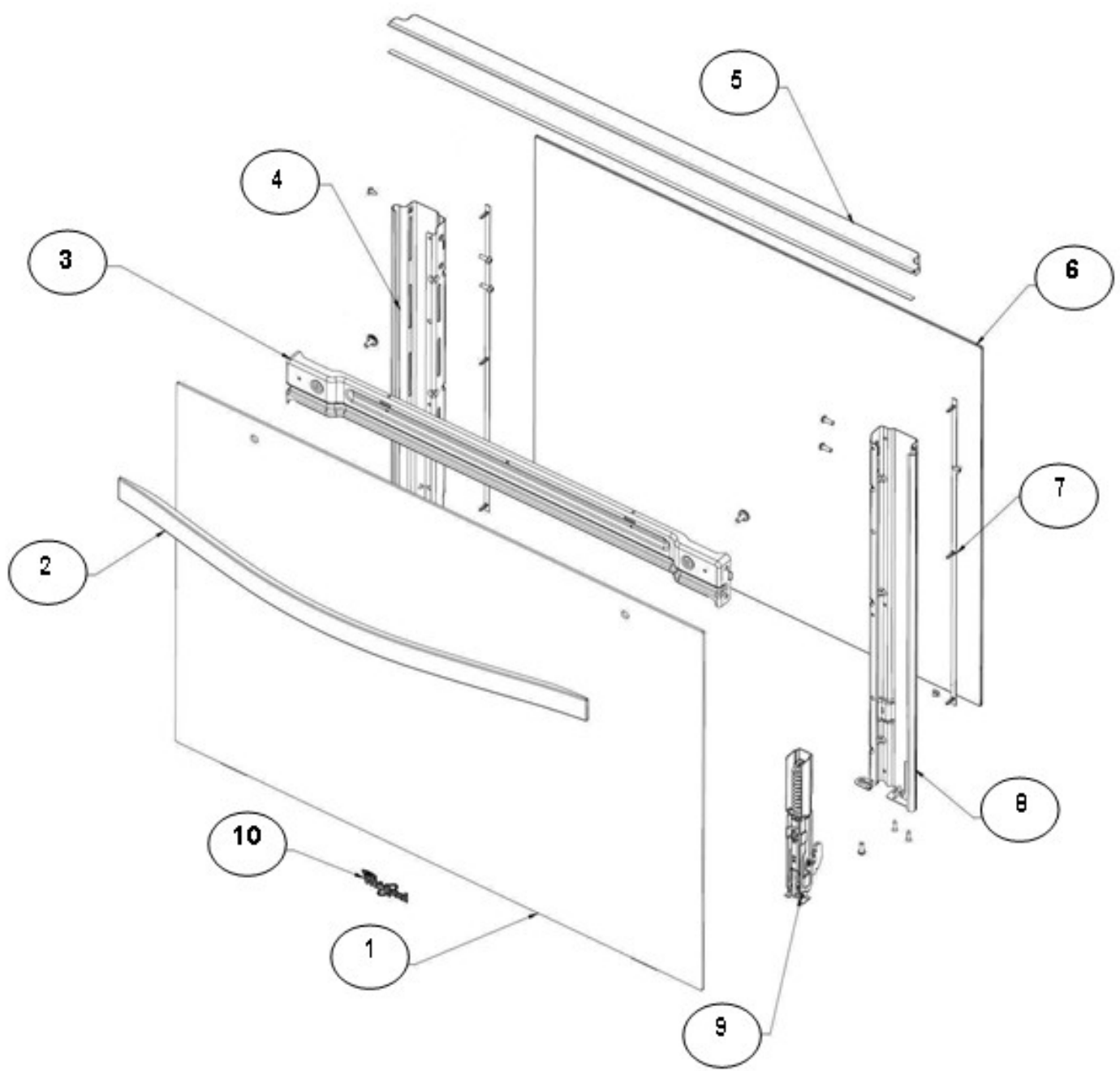


BENITO JUÁREZ #1500 GPE ZITON, CD. GUADALUPE NUEVO LEÓN TEL: 8183377999 Y 49
HORARIOS: LUNES A VIERNES 8:30 A 6:00 PM Y SÁBADOS DE 8:30 A 2:00 PM
WEB: www.denek.com

<u>No. Ilus.</u>	<u>DESCRIPCIÓN</u>	<u>Cant.</u>	<u>No. de Parte</u>
1	MAIN HARNESS F & F	1	W10381597
2	OVEN LIGHT SWITCH - SH GRY	1	W10568374
3	IGNITION SWITCH SH GRAY	1	W10568375
4	SPARK MODULE 6 POS.	1	W10455035
5	OVEN BULB	1	W10788320
6	SOCKET - OVEN LIGHT	1	W10554269
7	TOP ELECTRODE 740	1	W10391624
	TOP ELECTRODE 650	2	W10391625
	TOP ELECTRODE 500	1	W10381604
	TOP ELECTRODE 350	2	W10381605
8	CLIP IGNITOR -TOP BURNER	6	W10654842



ESTUFA WF6046D00

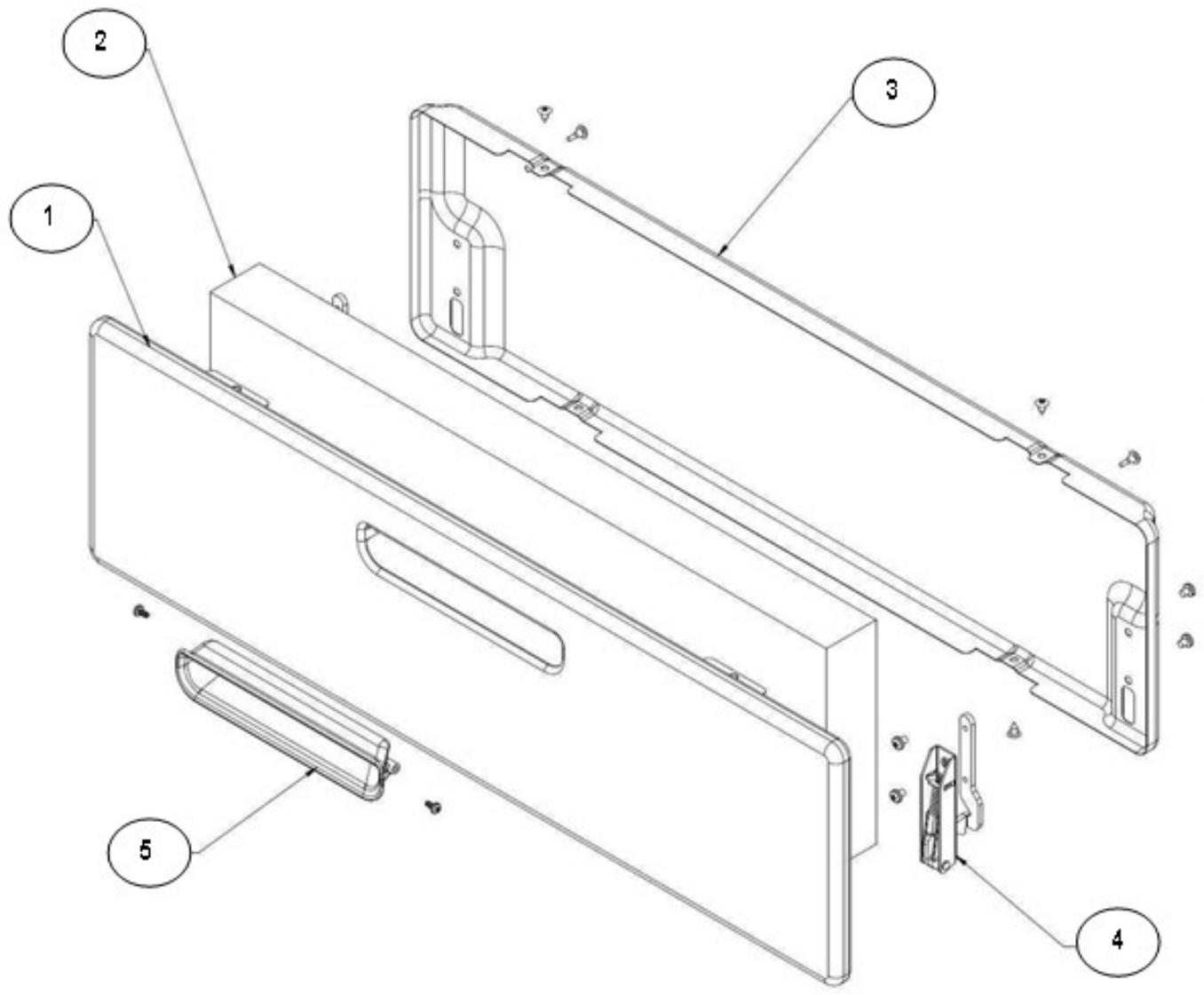


BENITO JUÁREZ #1500 GPE ZITON, CD. GUADALUPE NUEVO LEÓN TEL: 8183377999 Y 49
HORARIOS: LUNES A VIERNES 8:30 A 6:00 PM Y SÁBADOS DE 8:30 A 2:00 PM
WEB: www.denek.com

No. Ilus.	DESCRIPCIÓN	Cant.	No. de Parte
1	MASK & OUTER GLASS ASM U.S.L.	1	W10737805
2	OVEN DOOR HANDLE	1	W10831891
3	OVEN DOOR CROSS SUPPORT	1	W10387343
4	OVEN DOOR PILLAR LEFT	1	W10445015
5	UPPER TRIM - OVEN DOOR	1	W10544145
6	INNER GLASS - OVEN DOOR	1	W10372163
7	INNER GLASS SEAL	2	W10292266
8	OVEN DOOR PILLAR RIGHT	1	W10445013
9	OVEN DOOR HINGE	2	W10420753
10	BADGE-WHIRLPOOL CENTENNIAL	1	W10481433
**	OVEN DOOR UNIVERSAL S.L.	**	W10737678



ESTUFA WF6046D00



BENITO JUÁREZ #1500 GPE ZITON, CD. GUADALUPE NUEVO LEÓN TEL: 8183377999 Y 49
HORARIOS: LUNES A VIERNES 8:30 A 6:00 PM Y SÁBADOS DE 8:30 A 2:00 PM
WEB: www.denek.com

No. Ilus.	DESCRIPCIÓN	Cant.	No. de Parte
1	OUTER BROILER DOOR - UNIVERSAL STEEL	1	W10446850
2	INSULATION - BROILER DOOR 30"	1	**
3	30" INNER BROILER DOOR	1	W10446851
4	BROILER DOOR HINGE	2	W10444702
5	HANDLE - BROILER DOOR, SHADOW GRAY	1	**
**	BROILER DOOR ASM - UNIVERSAL STEEL	**	W10493741

KIT DE CONVERSION GAS NATURAL:	W10513462	
Componentes a solicitar:	W10132112 (4)	ORIFICE STD BURNER
	W10118331 (2)	ORIFICE SUPER BURNER
	W10539375 (1)	ORIFICE OVEN BURNER
	W10452674 (2)	VALVE FOR SUPER BURNER
	W10452677 (1)	THERMOCONTROL



NOTA IMPORTANTE

Si el número de serie de la estufa a la cual se le realizará la conversión de gas comienza de la siguiente manera VE722XXXXX o en adelante, es decir, VE723XXXXX, VE724XXXXX etc. favor de solicitar el contenido del siguiente kit. En caso de que el número de serie comience de diferente manera favor de solicitar el kit de arriba

Componentes a solicitar:	W10874075 (1)	TUBING TRASERO IZQUIERDO
	W10874076 (1)	TUBING FRONTAL IZQUIERDO
	W10874077 (1)	TUBING TRASERO CENTRAL
	W10874076 (1)	TUBING DELANTERO CENTRAL
	W10874077 (1)	TUBING TRASERO DERECHO
	W10874079 (1)	TUBING FRONTAL DERECHO
	W10539375 (1)	ESPREA QUEMADOR HORNO
	W10452673 (4)	VALVULA QUEMADOR ESTANDAR
	W10452674 (2)	VALVULA QUEMADOR SUPER
	W10452677 (1)	TERMOCONTROL