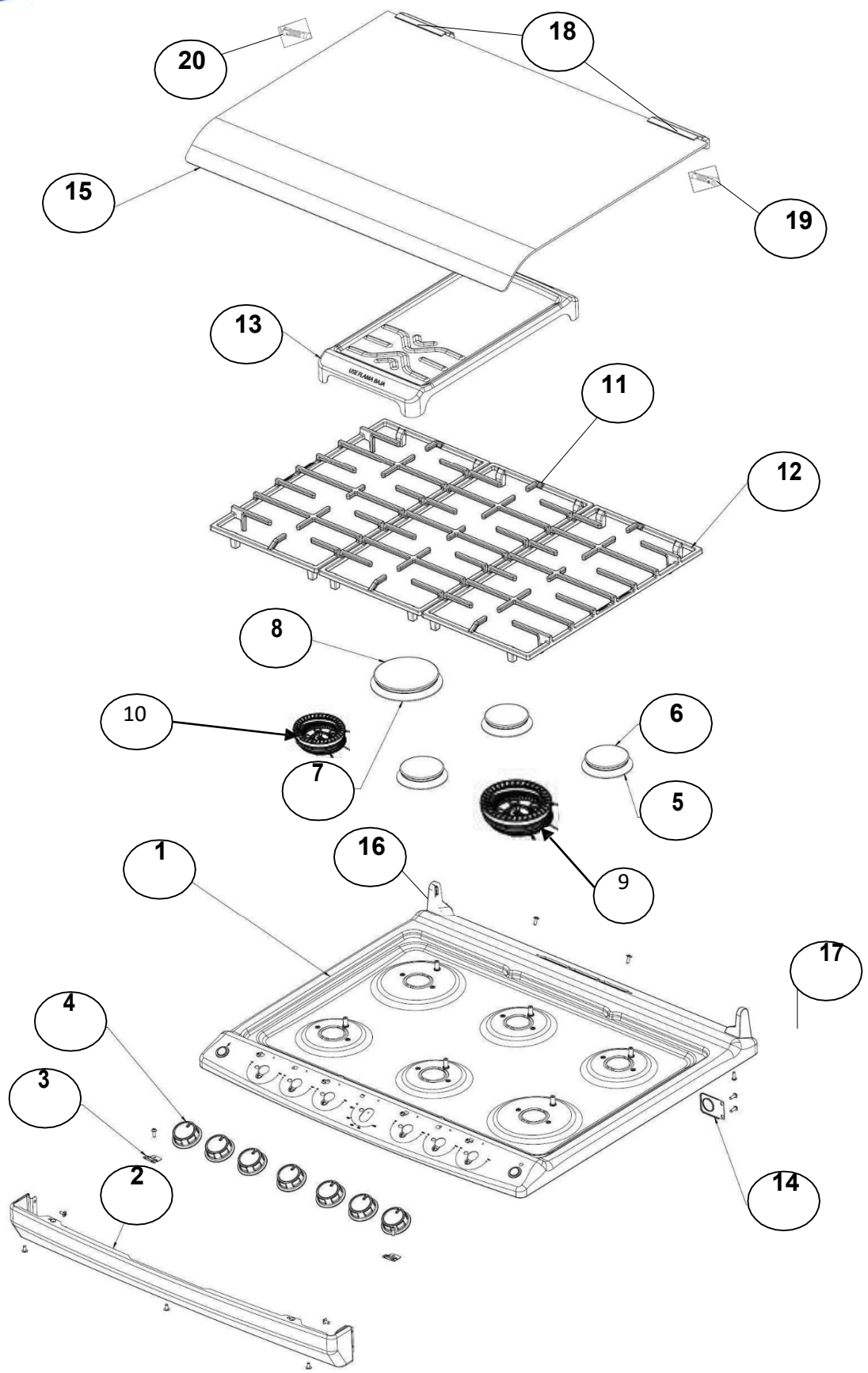




EXPLOSIONADO DE PARTES — ESTUFA NACIONAL —

MODELO | WF6559S00

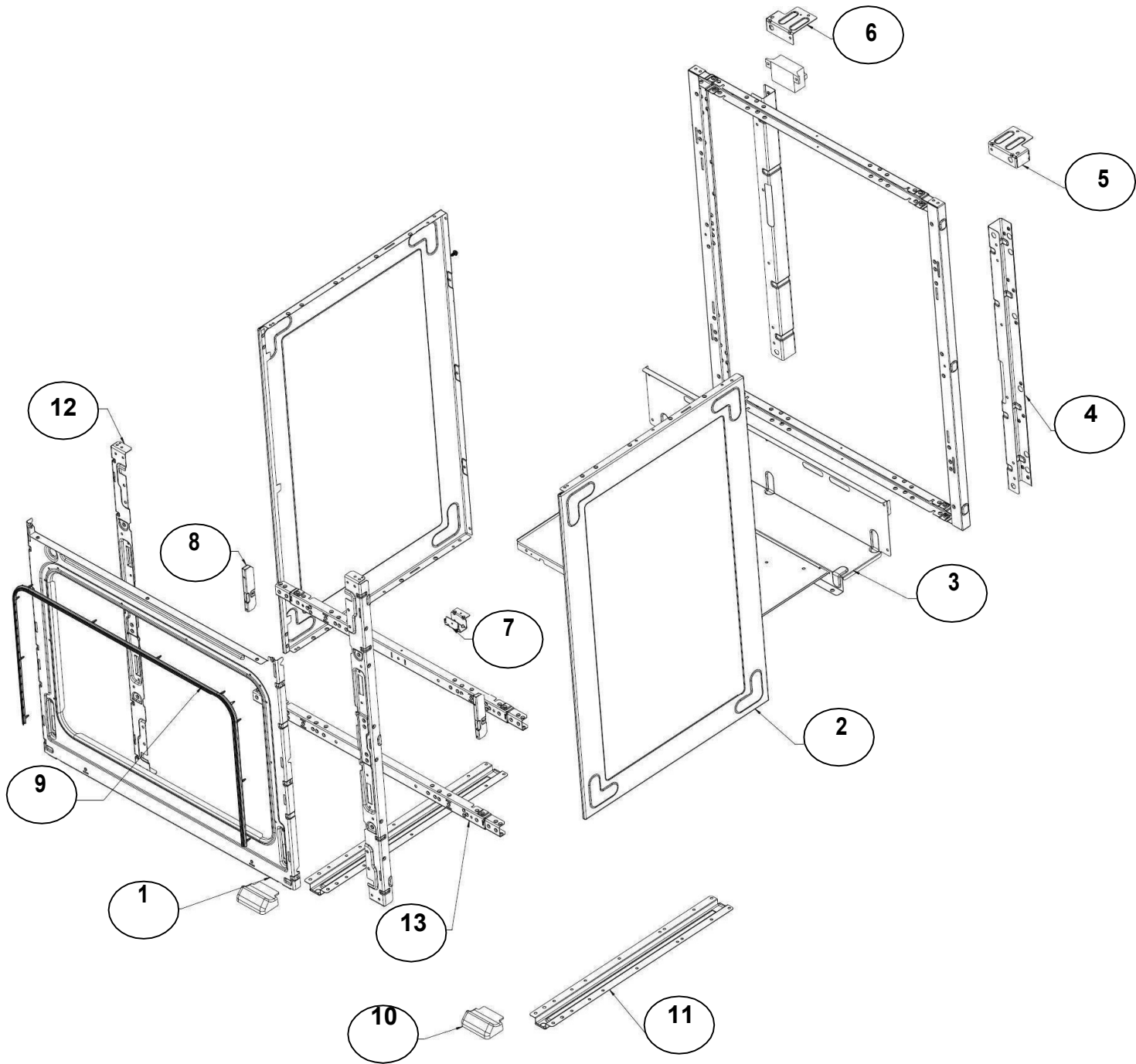
ESTUFA WF6559S00



<u>No. Ilus.</u>	<u>DESCRIPCIÓN</u>	<u>Cant.</u>	<u>No. de Parte</u>
1	COOKTOP	1	W10728513
2	FRONT PANEL EXTENTIONSS	1	W10604155
3	FRONT CLIPCOOKTOP	2	W10620563
4	SINGLE KNOB GRAY	7	W10699982
5	STD BURNER	4	W10354371
6	STD CAP BURNER	4	W10354292
7	SUPER BURNER	2	W10356319
8	SUPER BURNER CAP	2	W10354293
9	SPREADER ASSY	1	W10743941
	DAVINCI STD CAP	1	W10744981
	CAP - DAVINCI STD BURNER	1	W10672381
10	SUPER DAVINCI BUNER	1	W10672379
	SPREADER ASSY - DAV SUPER	1	W10743945
	SUPER DAVINCI BUNER CAP	1	W10744982
11	GRATE CENTRAL CAST IRON	1	W10718553
12	GRATE LATERAL CAST IRON	2	W10718552
13	GRIDDLE STAMPED-ENAMEL	1	W10387432
14	BRACKET MANIFOLD TUBE	1	W10381587
15	GLASS LID ASSY	1	W10625931
16	BRACKET - LS, GLASS LID - BLACK	1	W10546253
17	BRACKET - RS, GLASS LID - BLACK	1	W10546251
18	TRIM - GLASS LID, SHORT	2	W10477615
19	R.H. HINGE GLASS LID	1	W10206666
20	L.H. HINGE GLASS LID	1	W10206667
**	BUMPER GLASS LID	2	W10603704
	TORNILLO CUBIERTA QUEMADOR	*	W10146346

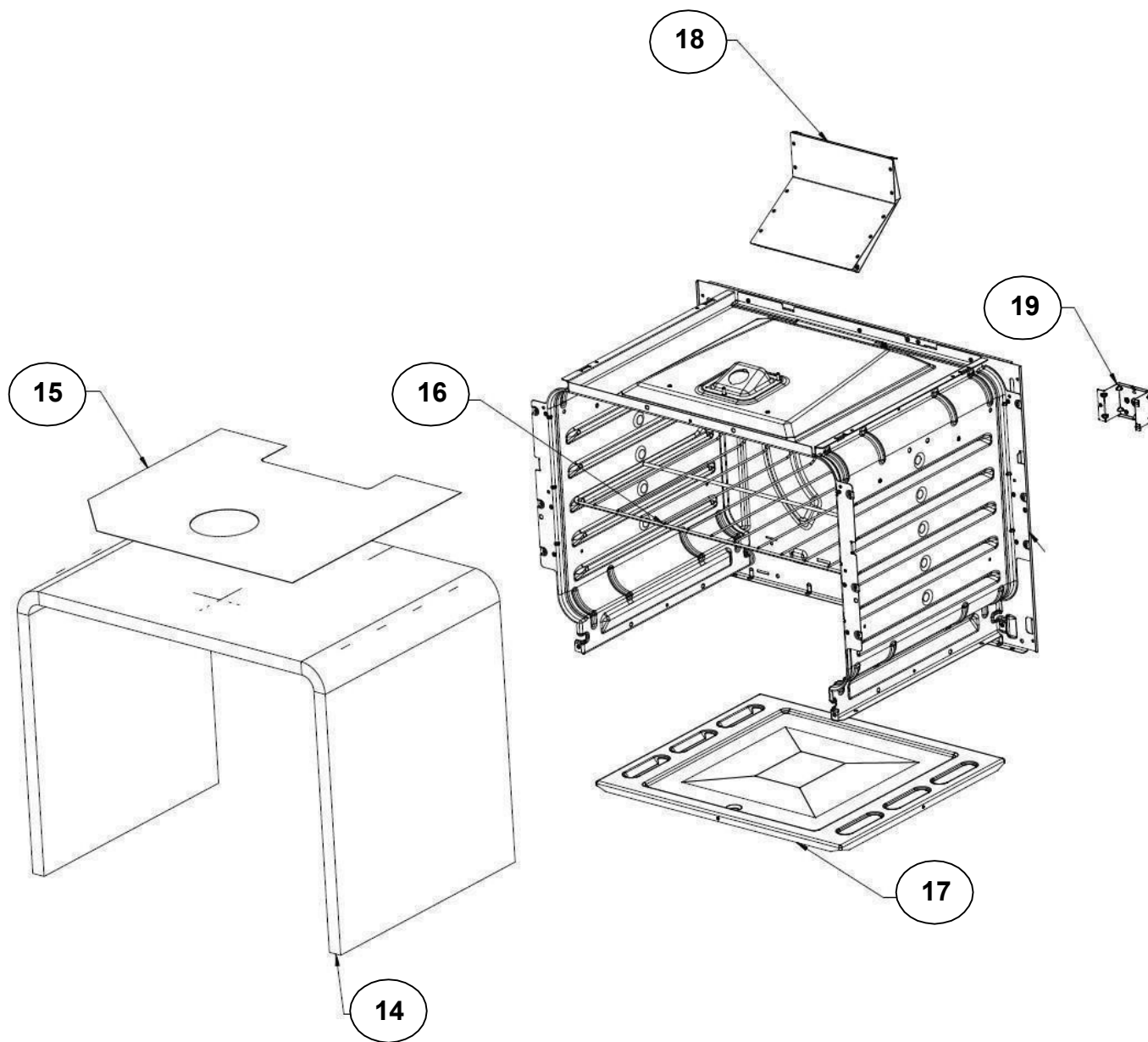


ESTUFA WF6559S00

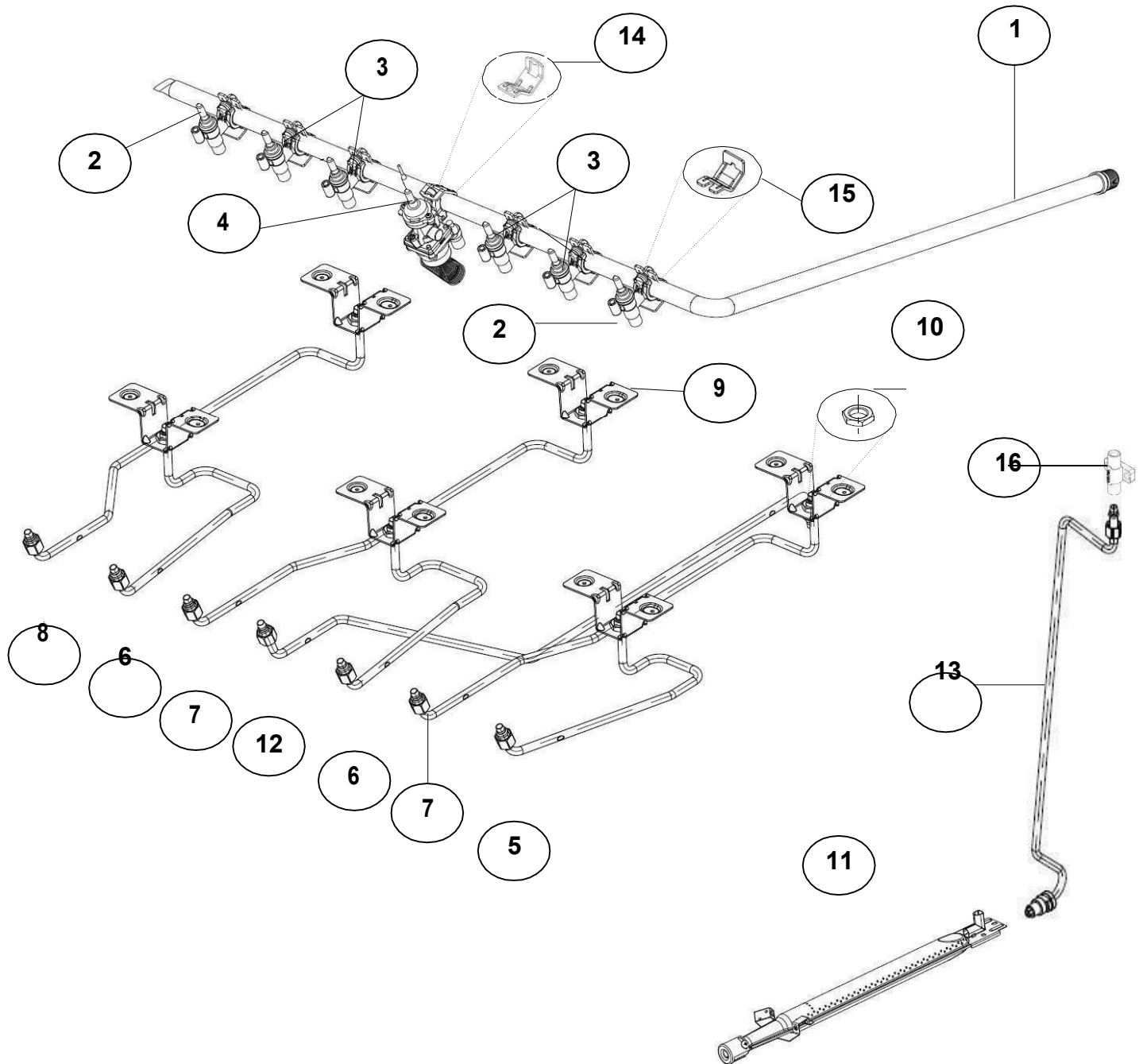


BENITO JUÁREZ #1500 GPE ZITON, CD. GUADALUPE NUEVO LEÓN TEL: 8183377999 Y 49
HORARIOS: LUNES A VIERNES 8:30 A 6:00 PM Y SÁBADOS DE 8:30 A 2:00 PM

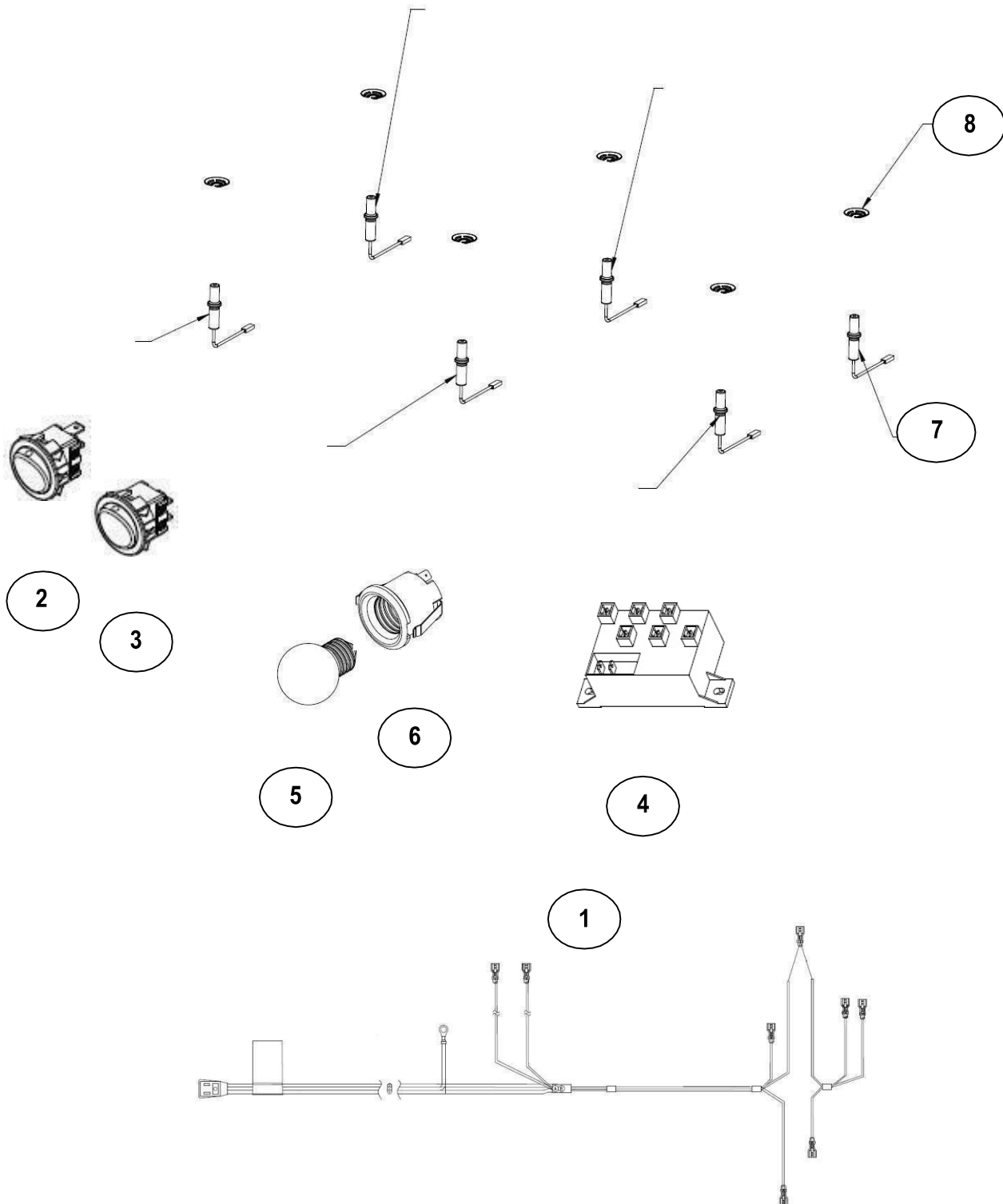
www.denek.com



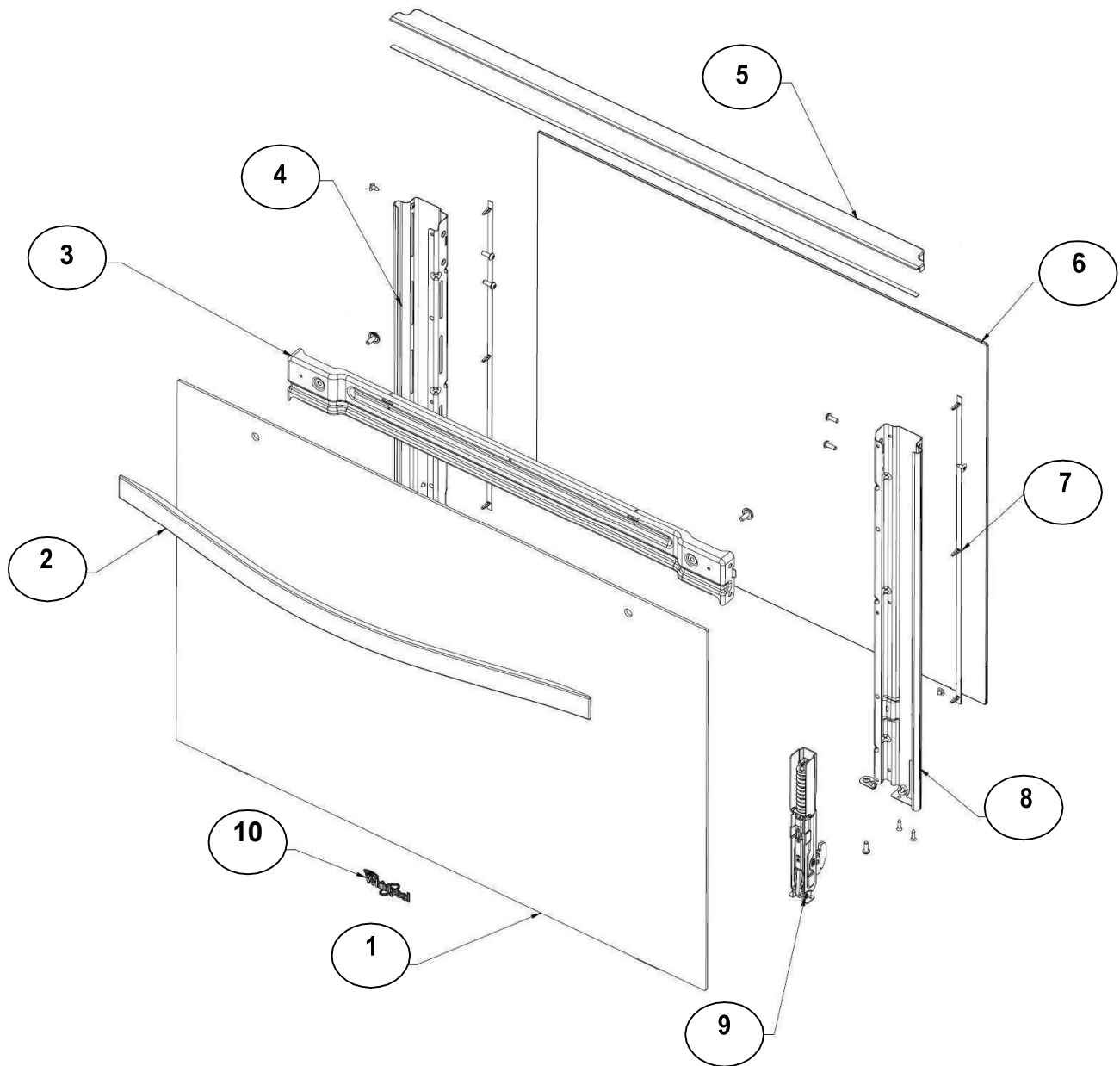
<u>No. Ilus.</u>	<u>DESCRIPCIÓN</u>	<u>Cant.</u>	<u>No. de Parte</u>
1	FRONT FRAME	1	W10448074
2	SIDE PANEL - MIDNIGHTGREY	2	W10354874
3	BROIL BACK COVER	1	W10515063
4	C - BRACKET	2	W10358263
5	CORNER BRACKET RH	1	W10364813
6	CORNER BRACKET LF	1	W10446940
7	FRONT BRACKET OVENBURNER	1	W10616130
8	COUNTER SUPPORT	2	W10327222
9	OVEN DOOR SEAL	1	W10759584
10	BASE CORNER FRONT	2	W10596641
11	BASE RAIL	2	W10446524
12	CROSS SUPPORT - 30"	2	W10327223
13	FRONT VERTICAL PILLARF/S	2	W10354862
14	OVEN INSULATION WRAPPER 30"	1	W10364807
15	ALUMINUM FOIL ULTRA	*	*****
16	OVEN RACK	1	W10550642
17	OVEN BOTTOM 30"	1	W10448075
18	FLUE BOX ASM	1	W10742507
19	BRACKET OVEN BURNER	1	W10381594



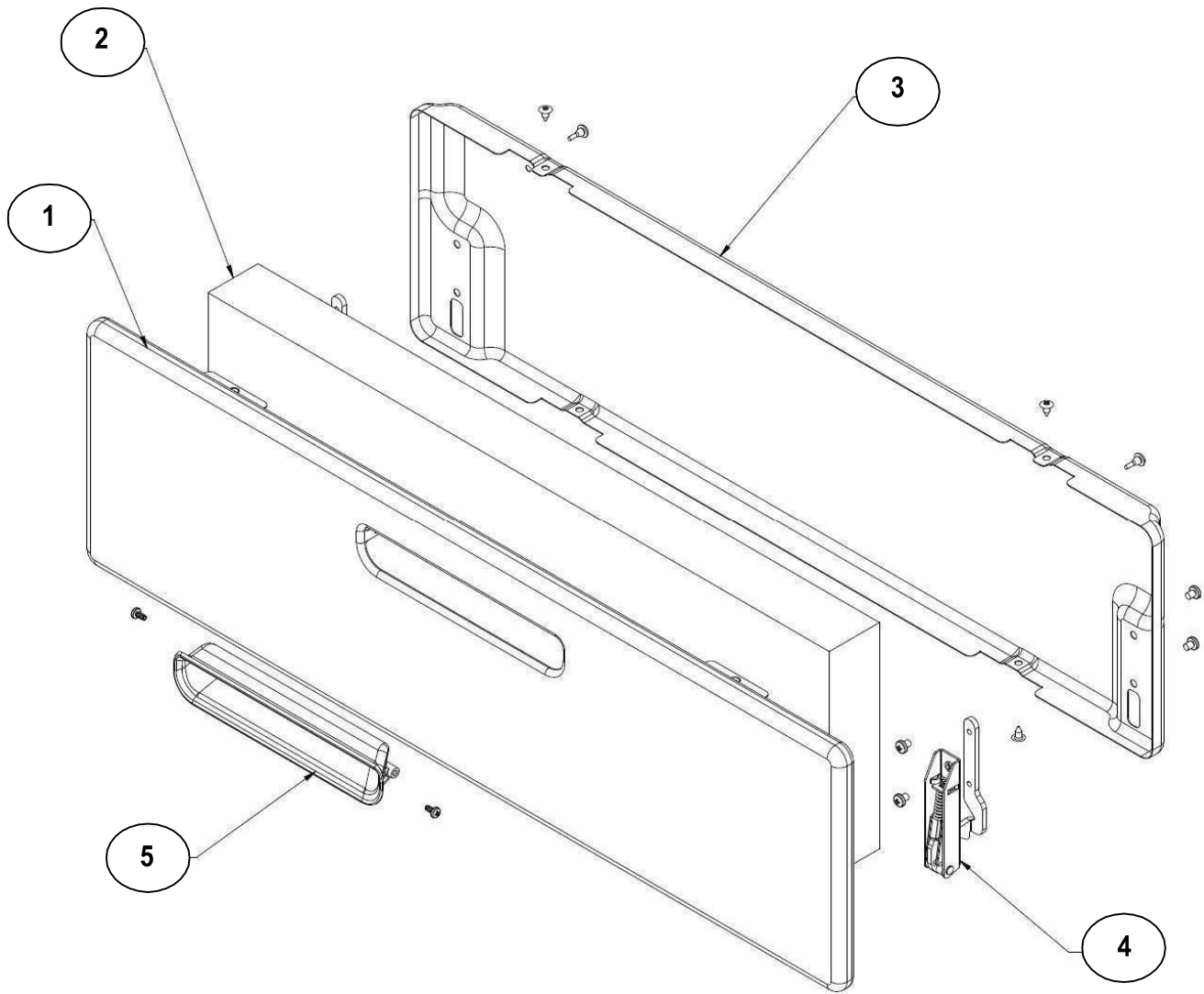
No. Ilus.	DESCRIPCIÓN	Cant.	No. de Parte
1	MANIFOLD TUBE	1	W10381640
2	VALVE SURF ZAMAKTUB.SUP	2	W10452673
3	VALVE SURF ZAMAKTUB.STD	4	W10452660
4	THERMOSTAT	1	W10718787
5	FRONT TUBING ASM -SUP	1	W10704837
6	FRONT TUBING ASM -STD	2	W10494191
7	REAR TUBING ASM - STD	2	W10704879
8	REAR TUBING ASM - SUP	1	W10556806
9	BRACKET - SURFACE BURNER	6	W10354300
10	NUT BRACKET TUBING	6	98017323
11	OVEN BURNER	1	W10646981
12	OVEN TUBING - UPPERTHERMOSTAT	*	*****
13	TUBING ASSY BOTTOM -OVEN	1	W10647685
14	SADDLE CONNECTION	1	98017516
15	SADDLE CONNECTION	6	W10075697
16	OVEN TUBINGCONNECTOR	*	*****
**	MANIFOLD TUBE ASSY	**	W10444635
**	KIT CONV NG	**	W10784797
**	KIT CONV LP	**	W10784798



No. Ilus.	DESCRIPCIÓN	Cant.	No. de Parte
1	MAIN HARNESS F & F	1	W10446865
2	OVEN LIGHT SWITCH - SH GRY	1	W10568375
3	IGNITION SWITCH SH GRAY	1	W10568374
4	SPARK MODULE 6 POS.	1	W10455035
5	OVEN BULB	1	W10452019
6	SOCKET - OVEN LIGHT	1	W10554269
	TOP ELECTRODE 740	1	W10702359
7	TOP ELECTRODE 650	2	W10391625
	TOP ELECTRODE 500	1	W10600337
	TOP ELECTRODE 350	2	W10381605
8	CLIP IGNITOR -TOP BURNER	6	W10654842



No. Ilus.	DESCRIPCIÓN	Cant.	No. de Parte
1	FS MASK & OUTER GLASS ASM S.S.	1	W10528450
2	OVEN DOOR HANDLE	1	W10397442
3	OVEN DOOR CROSS SUPPORT	1	W10387343
4	OVEN DOOR PILLARLEFT	1	W10445015
5	UPPER TRIM - OVENDOOR	1	W10544145
6	INNER GLASS - OVEN DOOR	1	W10372163
7	INNER GLASS SEAL	2	W10292266
8	OVEN DOOR PILLARRIGHT	1	W10445013
9	OVEN DOOR HINGE	2	W10420753
10	BADGE-WHIRLPOOL CENTENNIAL	1	W10481433
**	OVEN DOOR, METAL - SS	**	W10493700



No. Ilus.	DESCRIPCIÓN	Cant.	No. de Parte
1	OUTER BROILER DOOR - STAINLESSSTEEL	1	W10482110
2	INSULATION - BROILER DOOR 30"	1	W10557381
3	30" INNER BROILERDOOR	1	W10446851
4	BROILER DOOR HINGE	2	W10625517
5	HANDLE - BROILER DOOR, SHADOW GRAY	1	W10495568
**	BROILER DOOR ASM - SS	**	W10493745

KIT DE CONVERSION GAS NATURAL:	W10784797	
Componentes a solicitar:	W10132112 (3)	ORIFICE STD BURNER
	W10118331 (1)	ORIFICE SUPER BURNER
	W10614079 (1)	ORIFICE HE STD BURNER
	W10716160 (1)	ORIFICE HE SUP BURNER
	W10539375 (1)	ORIFICE OVEN BURNER
	W10121465 (1)	BY-PASS THERMOSTAT
	W10452674 (2)	VALVE FOR SUPER BURNER / THERMOCONTROL
	W10452673 (4)	VALVE FOR STD BURNER / VALVE FOR HE SUP BURNER



NOTA IMPORTANTE

Si el número de serie de la estufa a la cual se le realizará la conversión de gas comienza de la siguiente manera VE722XXXXX o en adelante, es decir, VE723XXXXX, VE724XXXXX etc. favor de solicitar el contenido del siguiente kit. En caso de que el número de serie comience de diferente manera favor de solicitar el kit de arriba

Componentes a solicitar:	W10874075 (1)	TUBING TRASERO IZQUIERDO
	W10874077 (1)	TUBING TRASERO CENTRAL
	W10874076 (1)	TUBING DELANTERO CENTRAL
	W10874077 (1)	TUBING TRASERO DERECHO
	W10620394 (1)	ESPREA QUEMADOR ESTANDAR XPERT/MAX
	W10716160 (1)	ESPREA QUEMADOR SUPER XPERT/MAX
	W10539375 (1)	ESPREA QUEMADOR HORNO
	W10452673 (3)	VALVULA QUEMADOR ESTANDAR
	W10452674 (1)	VALVULA QUEMADOR SUPER
	W10452673 (1)	VALVULA QUEMADOR ESTANDAR XPERT/MAX
	W10452674 (1)	VALVULA QUEMADOR SUPER XPERT/MAX
	W10452677 (1)	TERMOCONTROL