

Whirlpool
CORPORATION

CENTRO DE SOLUCIONES



LO ORIGINAL MARCA DIFERENCIA

EXPLOSIONADO DE PARTES

— ESTUFA NACIONAL —

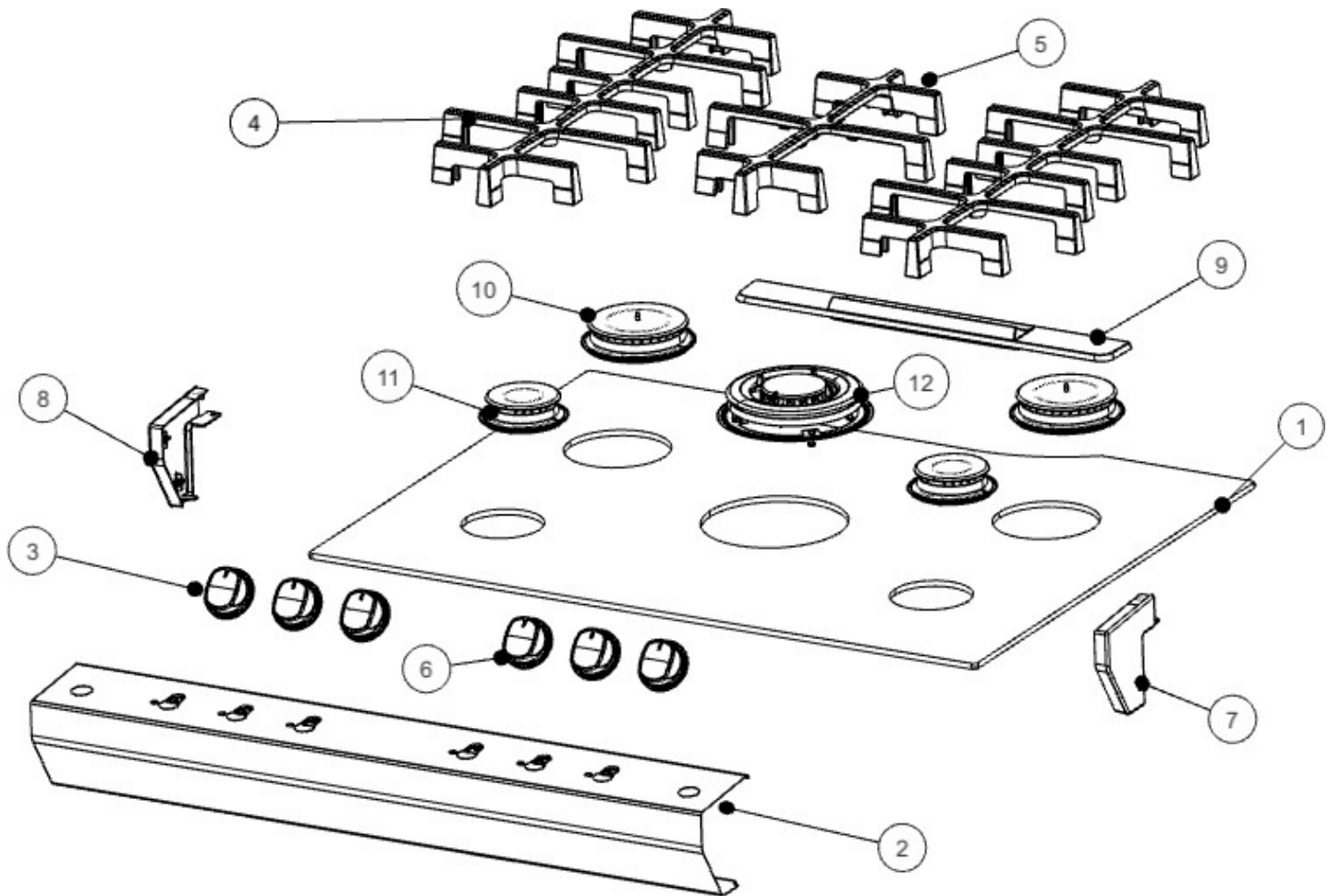
MODELO | WF6900S00

acros

Whirlpool
CORPORATION

MAYTAG

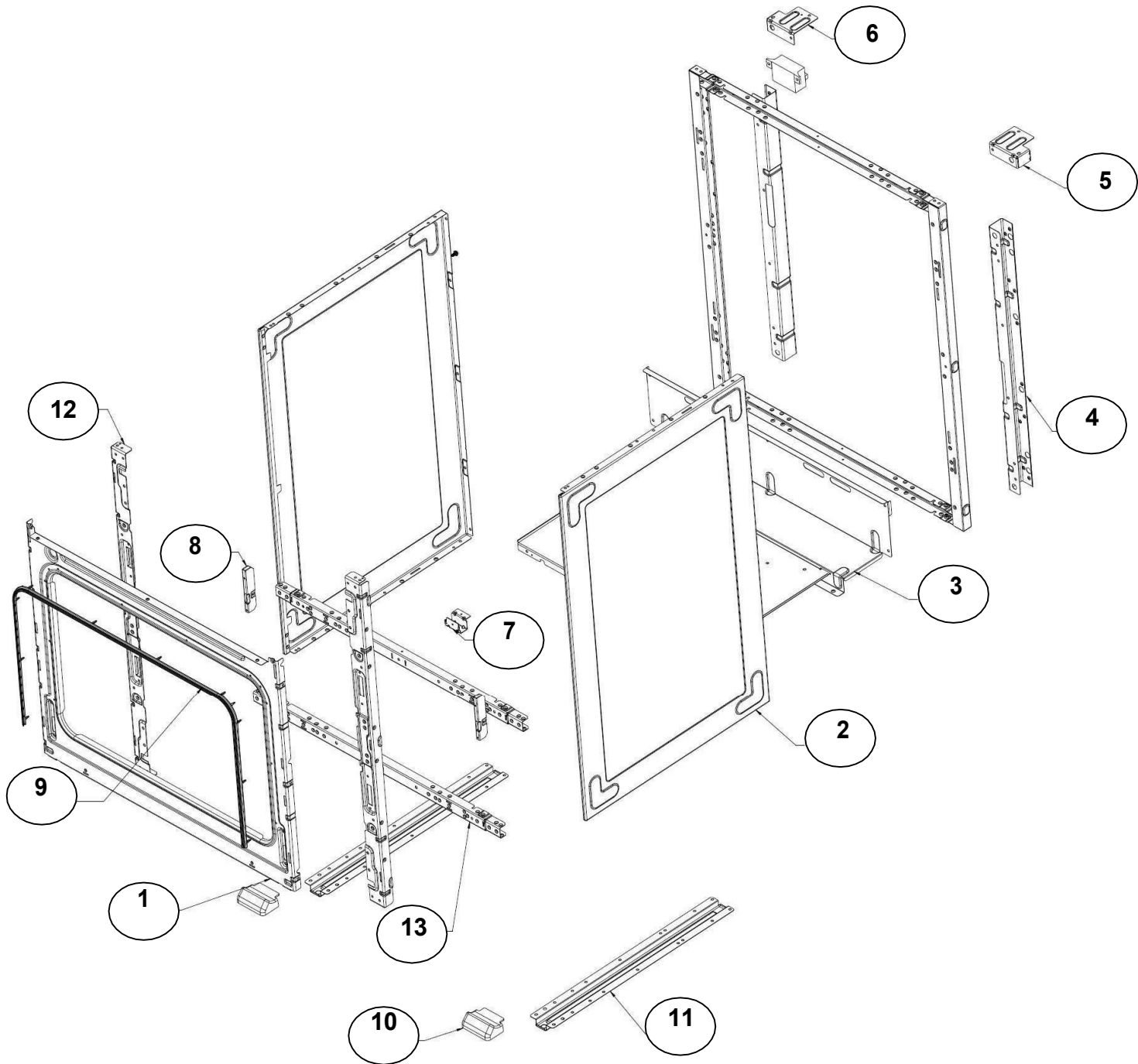
KitchenAid

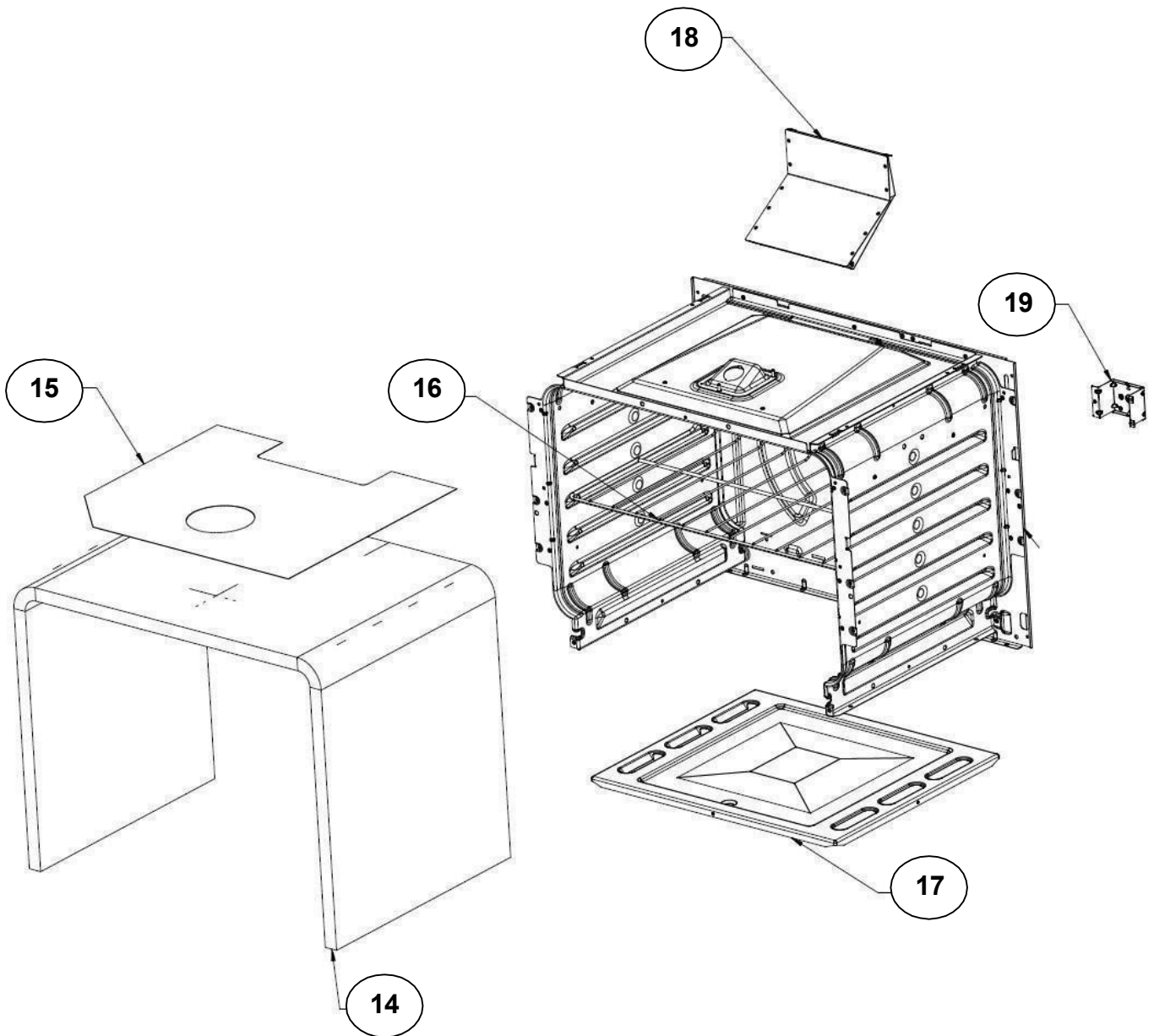


No. Ilus.	DESCRIPCIÓN	Cant.	No. de Parte
1	COOKTOP	1	W10817997
2	MANIFOLD PANEL	1	W10817999
3	KNOB MONALISA	5	W10820755
4	LATERAL GRATE	2	W10866300
5	CENTRAL GRATE	1	W10866317
6	KNOB MONALISA THERM	4	W10820756
7	END CAP MGOG RIGHT	1	W10815780
8	END CAP MGOG LEFT	1	W10815781
9	BASE COVER FLUE BOX	1	W10732678
10	SABAF RAPID BURNER ASSY	2	W10811006
11	SABAF SEMIRAPID BURNER ASSY	2	W10804700
12	SABAF TRIPLE CROWN BURNER	1	*****
**	TORNILLO PARA QUEMADOR	10	98004993

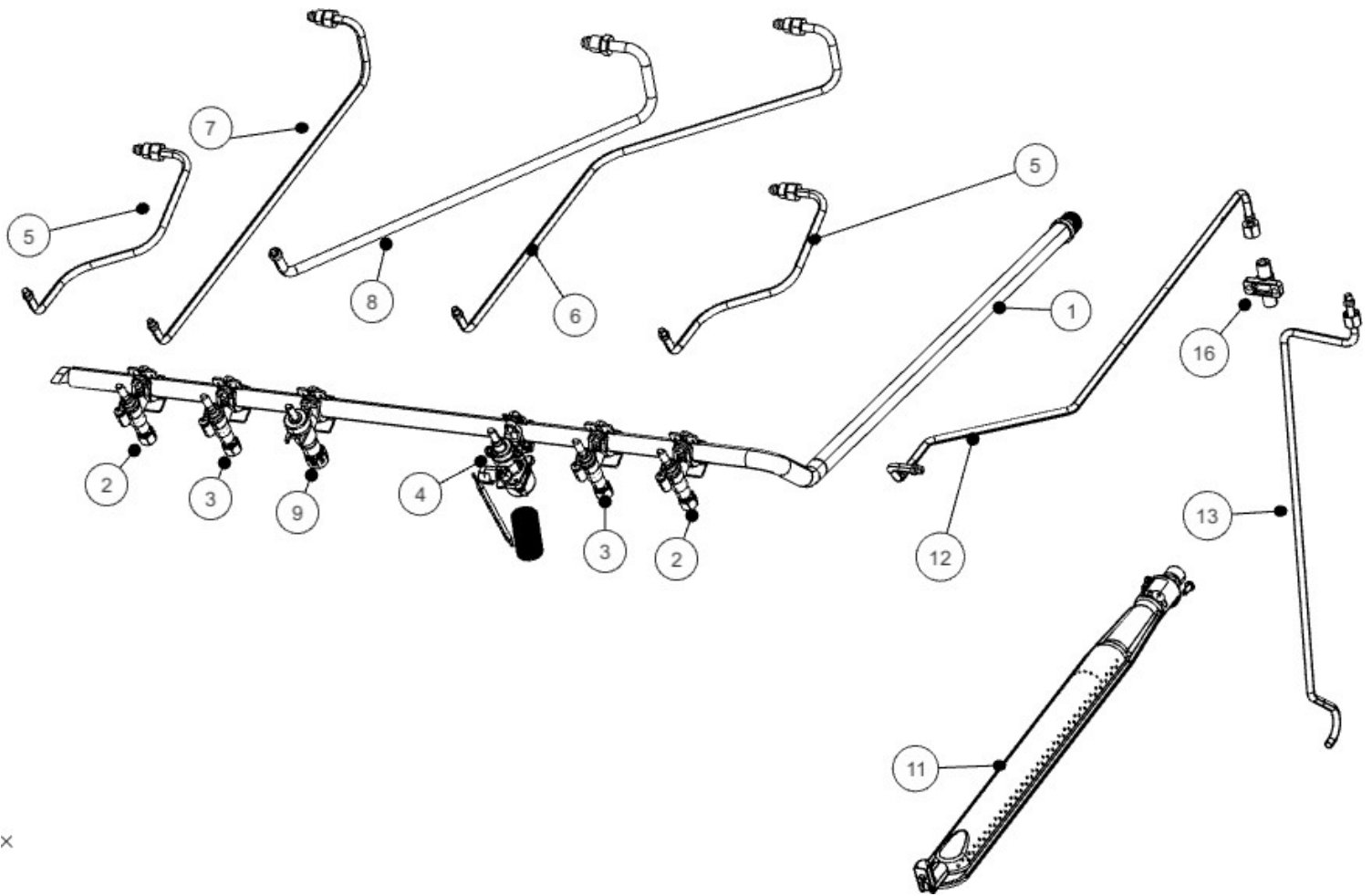
Para solicitar Pieza No. **12 SABAF TRIPLE CROWN BURNER** se deberá hacerlo por separado:

**	SABAF TRIPLE CROWN BURNER	W10812711
**	SABAF TRIPLE CROWN BURNER	W10812712
**	SABAF TRIPLE CROWN BURNER	W10812710
**	SABAF TRIPLE CROWN BURNER	W10867832

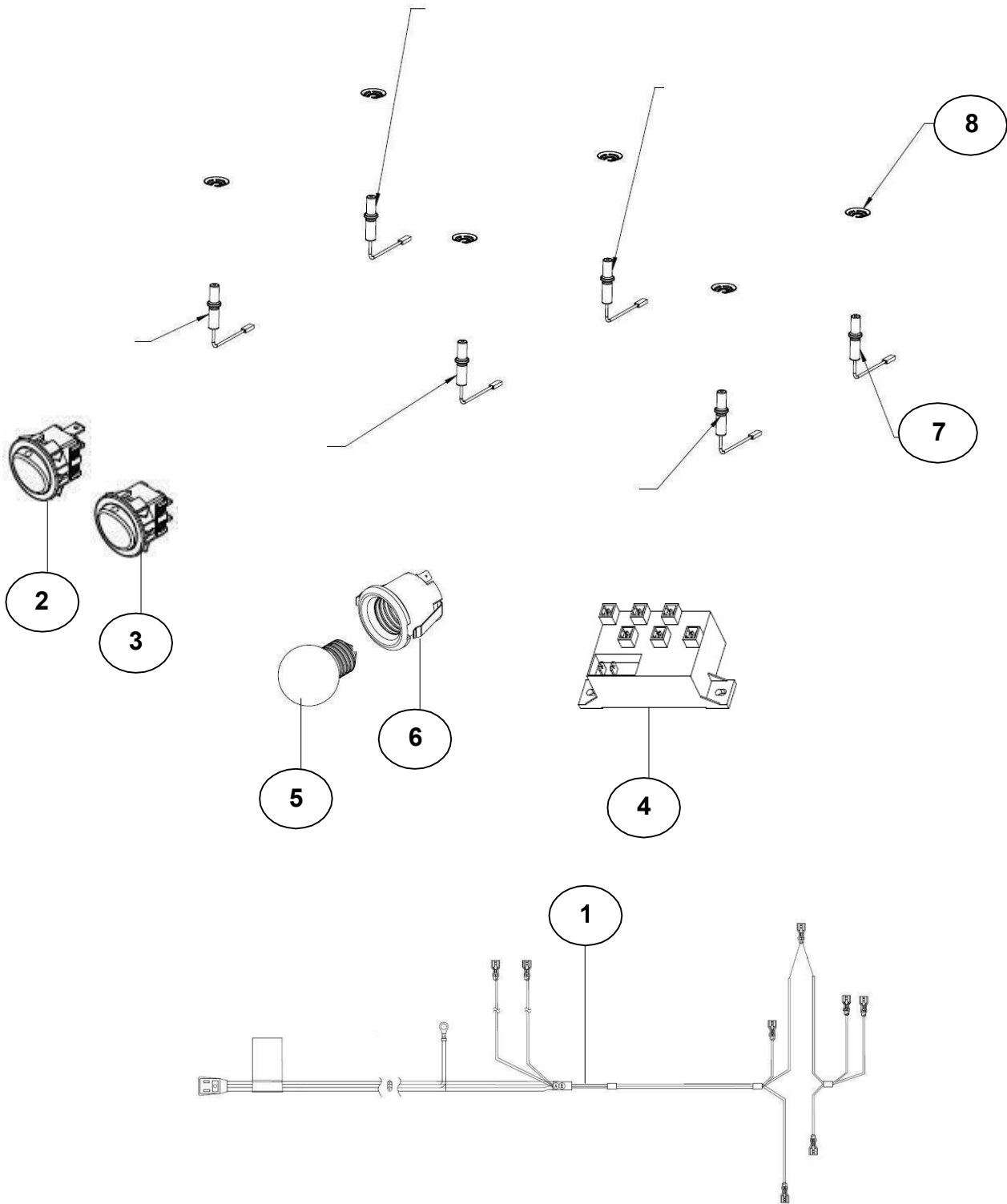




No. Ilus.	DESCRIPCIÓN	Cant.	No. de Parte
1	FRONT FRAME	1	W10448073
2	SIDE PANEL - MIDNIGHT GREY	2	W10364507
3	BROIL BACK COVER	1	W10515063
4	C - BRACKET	2	W10538119
5	CORNER BRACKET RH	1	W10364813
6	CORNER BRACKET LF	1	W10446940
7	FRONT BRACKET OVEN BURNER	1	W10475852
8	COUNTER SUPPORT	2	W10327222
9	OVEN DOOR SEAL	1	W10759584
10	BASE CORNER FRONT	2	W10596641
11	BASE RAIL	2	W10446524
12	CROSS SUPPORT - 30"	2	W10327223
13	FRONT VERTICAL PILLAR F/S	2	W10354862
14	OVEN INSULATION WRAPPER 30"	1	W10364807
15	ALUMINUM FOIL ULTRA	1	**
16	KIT OVEN RACK	1	W10787259
17	OVEN BOTTOM 30"	1	W10764694
18	FLUE BOX ASM	1	W10863729
19	BRACKET OVEN BURNER	1	W10381594



No. Ilus.	DESCRIPCIÓN	Cant.	No. de Parte
1	MANIFOLD TUBE	1	W10847164
2	VALVE SURF ZAMAK TUB.SUP	2	W10452673
3	VALVE SURF ZAMAK TUB.STD	2	W10452660
4	THERMOSTAT	1	W10817994
5	TUBING ASSY FRONT MGOG	2	W10804950
6	TUBING ASSY REAR RIGHT	1	W10804951
7	TUBING ASSY REAR LEFT	1	W10804952
8	TUBING ASSY CENTRAR MGOG	1	W10804953
9	SURFACE VALV FCB-ZAMAK	1	W10381656
10	NUT BRACKET TUBING	6	**
11	OVEN BURNER	1	W10646982
12	OVEN TUBING - UPPER THERMOSTAT	1	W10485463
13	TUBING ASSY BOTTOM - OVEN	1	W10381596
14	SADDLE CONNECTION	5	**
15	SADDLE CONNECTION	1	**
16	OVEN TUBING CONNECTOR	1	W10387478
**	MANIFOLD TUBE ASSY	**	W10804959
**	KIT CONV NG	**	W10882211
**	KIT CONV LP	**	W10882210



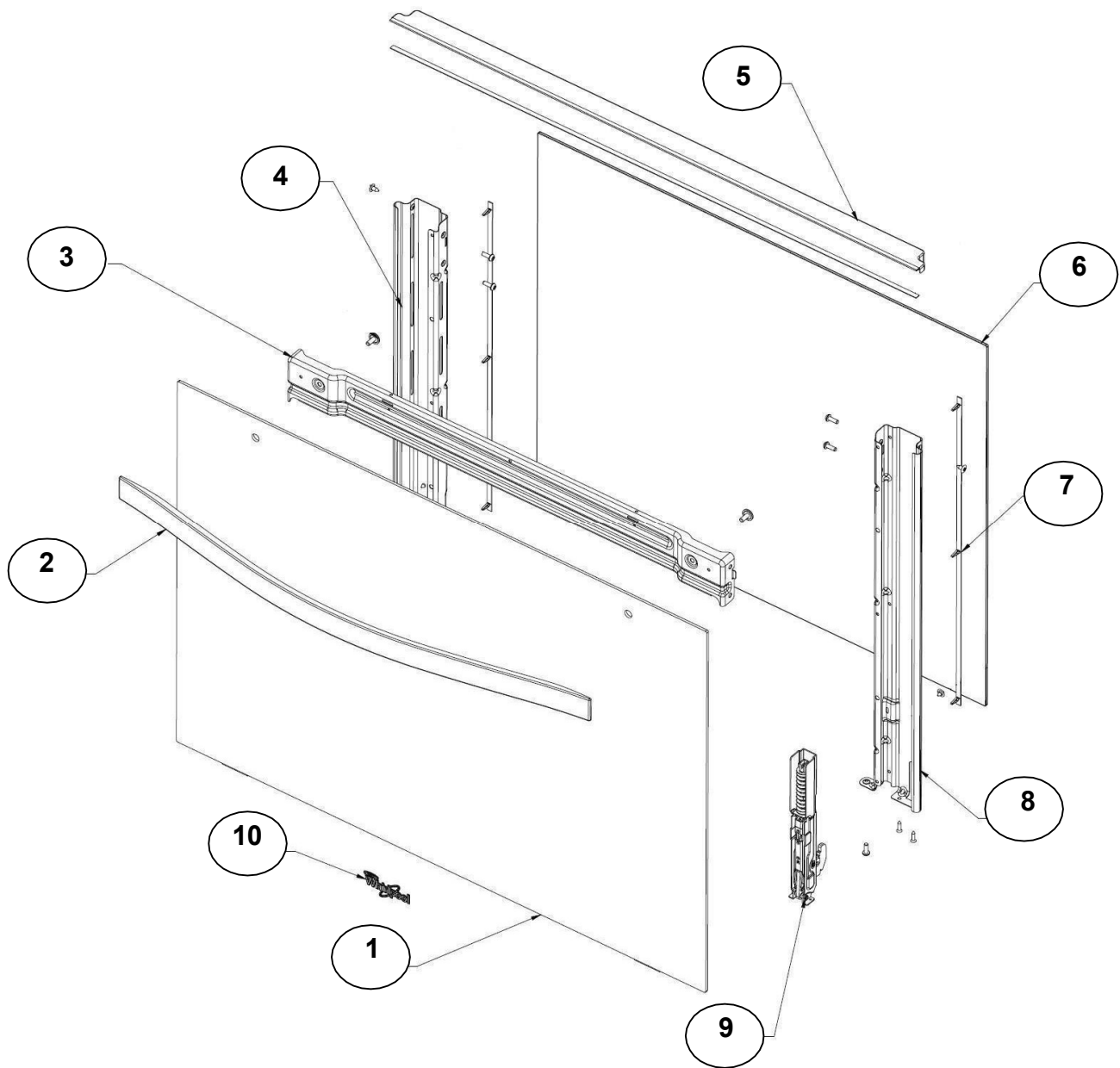


ESTUFA WF6900S00

<u>No. Ilus.</u>	<u>DESCRIPCIÓN</u>	<u>Cant.</u>	<u>No. de Parte</u>
1	MAIN HARNESS F & F	1	W10381597
2	OVEN LIGHT SWITCH - SH GRY	1	W10568374
3	IGNITION SWITCH SH GRAY	1	W10568375
4	SPARK MODULE 6 POS.	1	W10816149
5	OVEN BULB	1	W10788320
6	SOCKET - OVEN LIGHT	1	W10554269
	TC TOP ELECTRODE 600	1	W10812713
	TC ELECTRODE CLIP	1	W10812714
	SEMIRAPID TOP ELECTRODE 750	1	W10812724
	RAPID TOP ELECTRODE 600	1	W10812736
8	SERIE II ELECTRODE CLIP	2	W10812725



ESTUFA WF6900S00



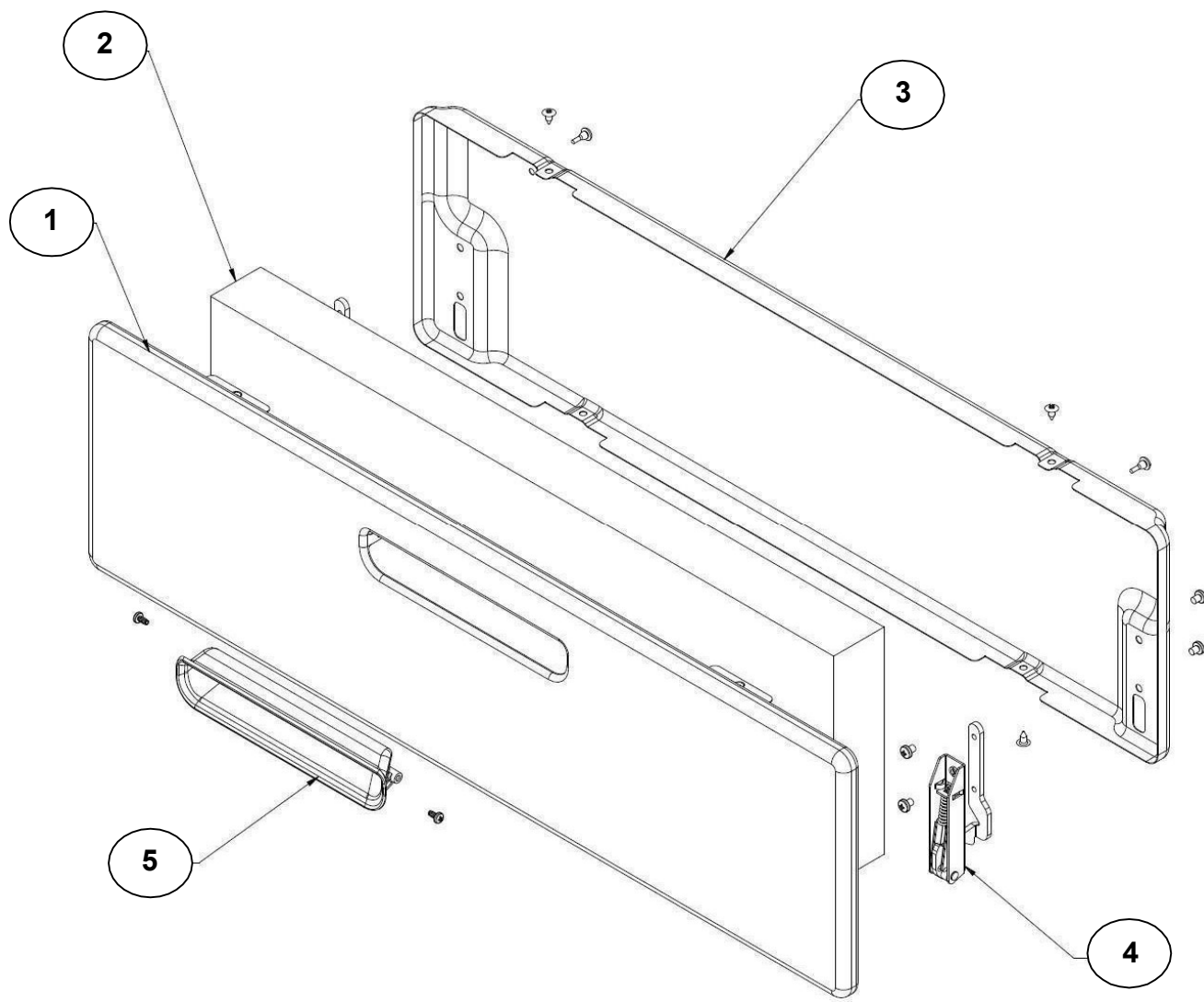
BENITO JUÁREZ #1500 GPE ZITON, CD. GUADALUPE NUEVO LEÓN TEL: 8183377999 Y 49
HORARIOS: LUNES A VIERNES 8:30 A 6:00 PM Y SÁBADOS DE 8:30 A 2:00 PM

www.denek.com



ESTUFA WF6900S00

No. Ilus.	DESCRIPCIÓN	Cant.	No. de Parte
1	MASK & OUTER GLASS ASM U.S.L.	1	W10737679
2	OVEN DOOR HANDLE	1	W10831891
3	OVEN DOOR CROSS SUPPORT	1	W10387343
4	OVEN DOOR PILLAR LEFT	1	W10460273
5	UPPER TRIM - OVEN DOOR	1	W10544145
6	INNER GLASS - OVEN DOOR	1	W10372163
7	INNER GLASS SEAL	2	W10292266
8	OVEN DOOR PILLAR RIGHT	1	W10460272
9	OVEN DOOR HINGE	2	W10420753
10	BADGE-WHIRLPOOL CENTENNIAL	1	W10481433
**	OVEN DOOR UNIVERSAL S.L.	**	W10861068





ESTUFA WF6900S00

No. Ilus.	DESCRIPCIÓN	Cant.	No. de Parte
1	OUTER BROILER DOOR - UNIVERSAL STEEL	1	W10482110
2	INSULATION - BROILER DOOR 30"	1	W10075717
3	30" INNER BROILER DOOR	1	W10446851
4	BROILER DOOR HINGE LEFT	1	W10625517
	BROILER DOOR HINGE RIGHT	1	W10661466
5	HANDLE - BROILER DOOR, SHADOW GRAY	1	W10495568
**	BROILER DOOR ASM - UNIVERSAL STEEL	**	W10493745

KIT DE CONVERSION GAS NATURAL:	W10882211	
Componentes a solicitar:	W10118331 (4)	ORIFICE SUPER BURNER
	W10871306 (1)	ORIFICE FCB / TCB
	W10539375 (1)	ORIFICE OVEN BURNER
	W10121465 (1)	BY-PASS THERMOSTAT
	W10539407 (1)	VALVE FOR FCB
	W10452674 (4)	VALVE FOR SUPER BURNER