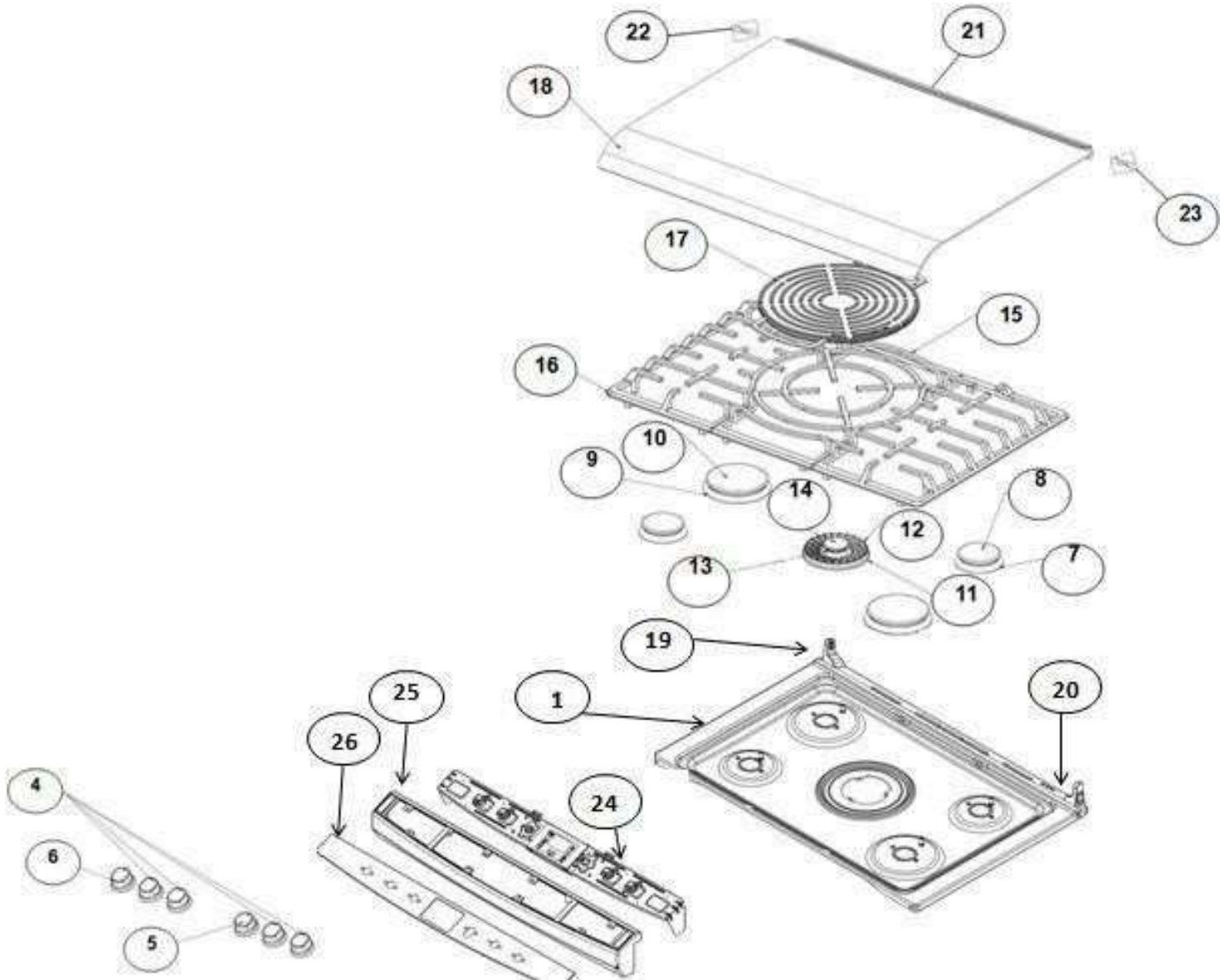
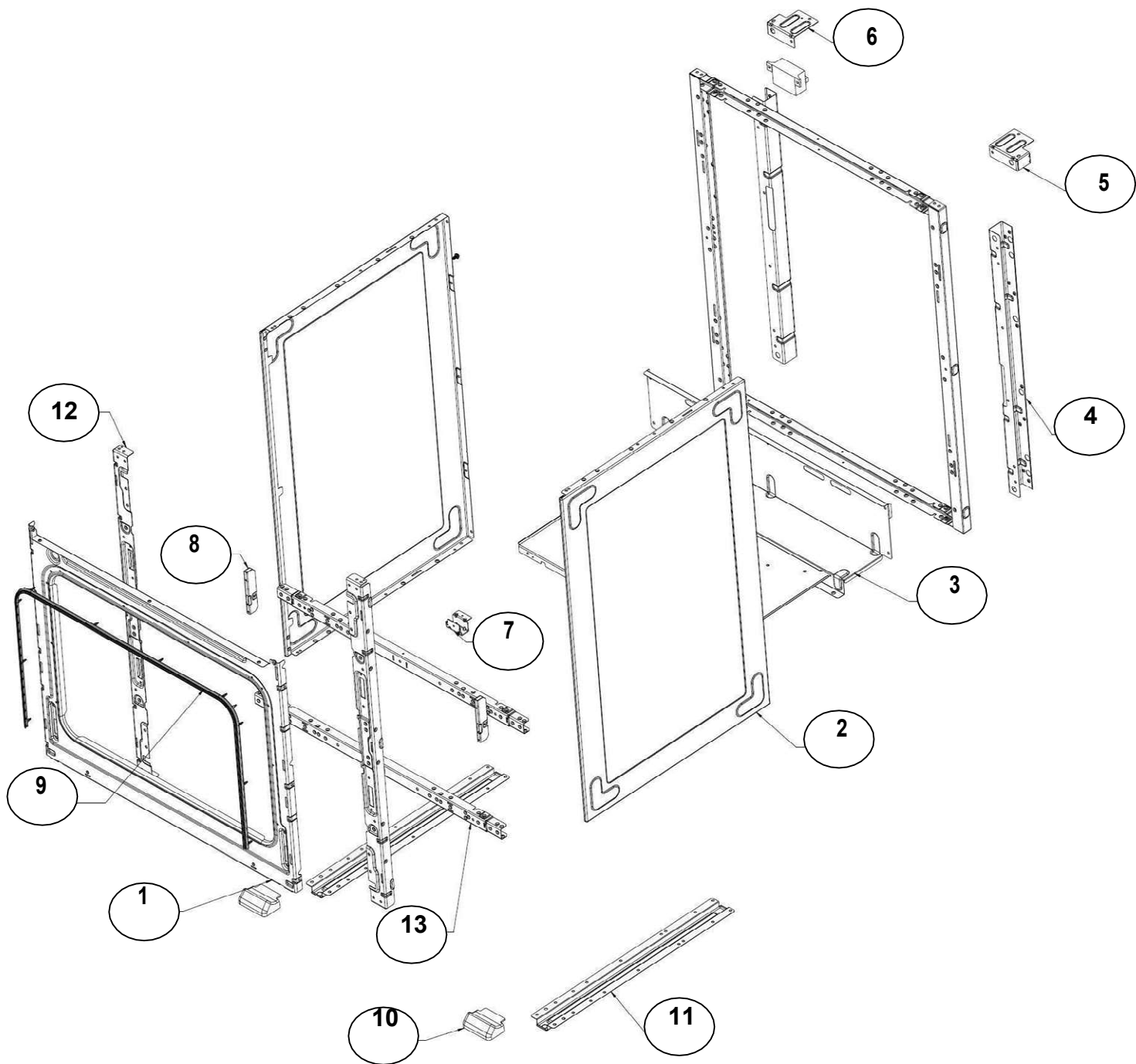


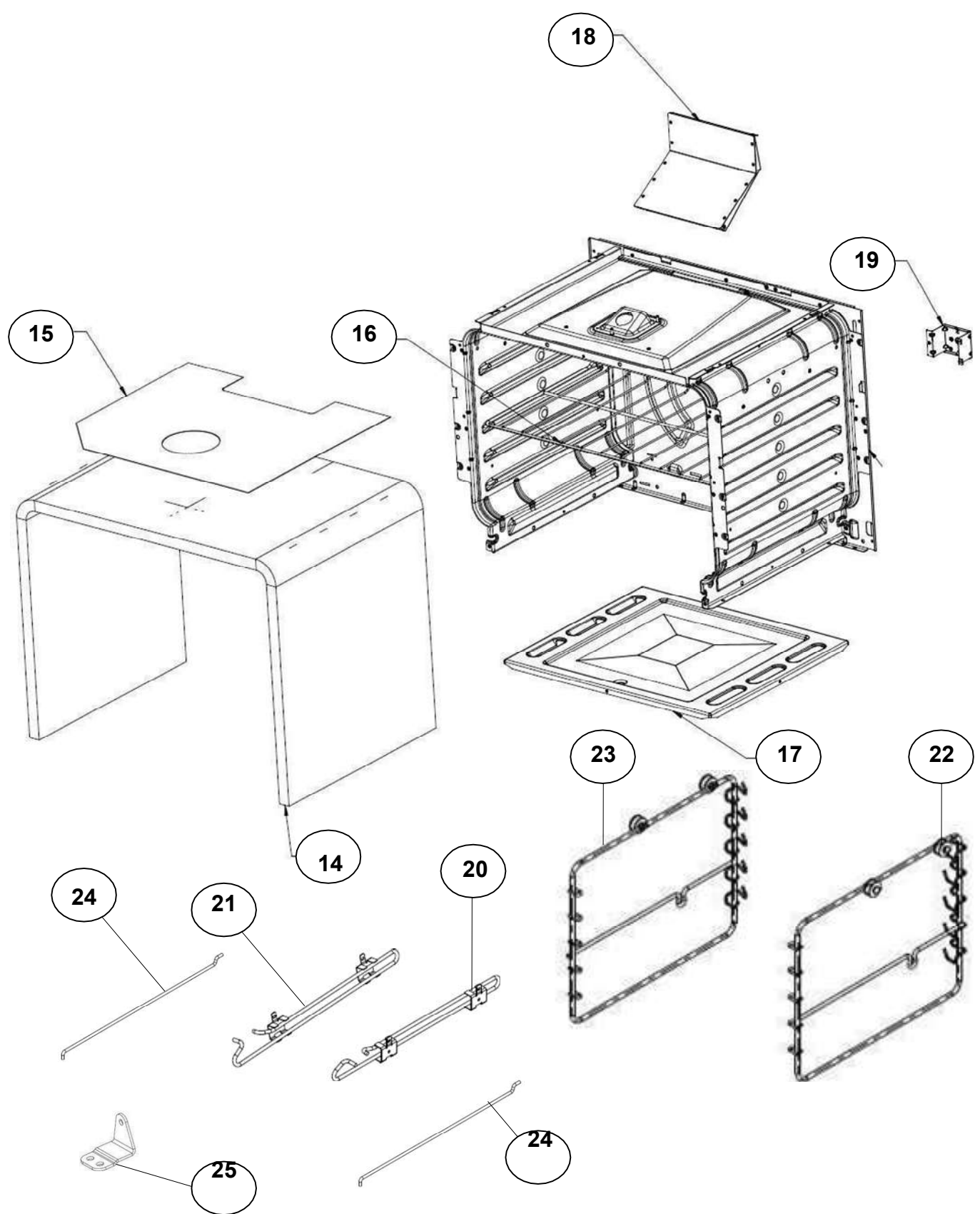
EXPLOSIONADO DEPARTES – ESTUFA NACIONAL –

MODELO | WF9950S02

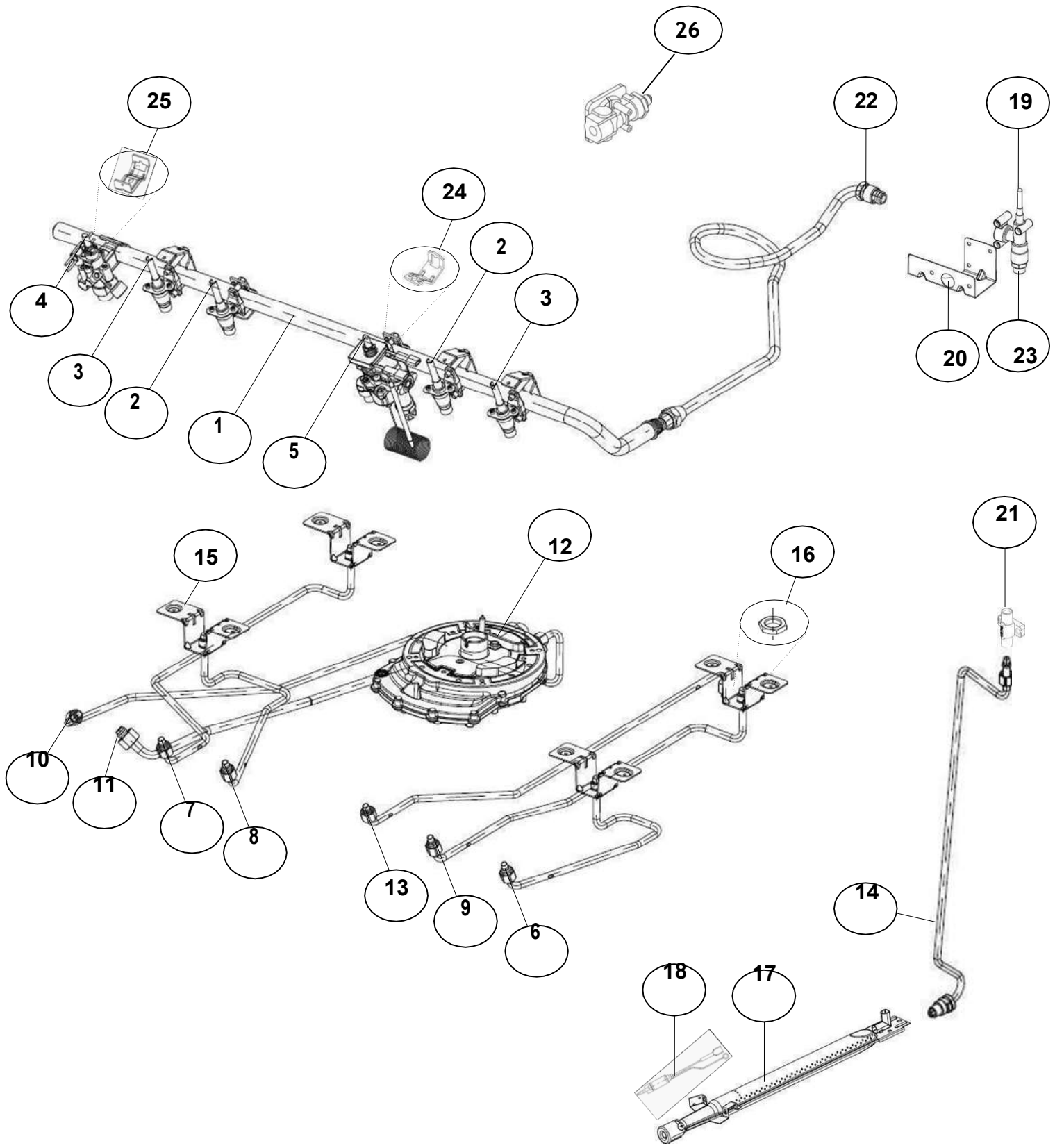


No. Ilus.	DESCRIPCIÓN	Cant.	No. deParte
1	COOKTOP	1	W10429775
2	-	-	**
3	FRONT CLIP COOKTOP	2	W10620563
4	KNOB ASSY BURNER	4	W10513448
5	KNOB ASSY THERM	1	W10717830
6	KNOB ASSY DUAL	1	W10576415
7	STD BURNER	2	W10354371
8	STD BURNER CAP MATT	2	W10190267
9	SUPER BURNER	2	W10356319
10	SUPER BURNER CAP MATT	2	W10190271
11	BASE TORCH BURNER	1	W10487751
12	EXTERNAL SPREADER - TORCH BURNER	1	W10487750
13	SIMMER SPREADER - TORCH BURNER	1	W10487747
14	SIMMER CAP - TORCH BURNER	1	W10487745
15	GRATE - CAST IRON CENTRAL DRAGON	1	W10422205
16	GRATE LATERAL DRAGON - CAST IRON	2	W10422206
17	GRIDDLE CAST IRON - DRAGON	1	W10422230
18	GLASS LID ASSY	1	W10625936
19	BRACKET - LS, GLASS LID - SILVER	1	W10546253
20	BRACKET - RS, GLASS LID - SILVER	1	W10546251
21	TRIM - GLASS LID, LARGE	1	W10477618
22	HINGE - LS, GLASS LID	1	W10387290
23	HINGE - RS, GLASS LID	1	W10387289
24	MANIFOLD PIPE SUPPORT - BI ILLUM	1	W10548358
25	PANEL MANIFOLD BMC BUILT IN	1	W10429736
26	APLIQUE MANIFOLD PANEL ILUMINATI	1	W10603033
**	BUMPER GLASS LID	2	W10373346
	TORNILLO CUBIERTA QUEMADOR	*	W10146346





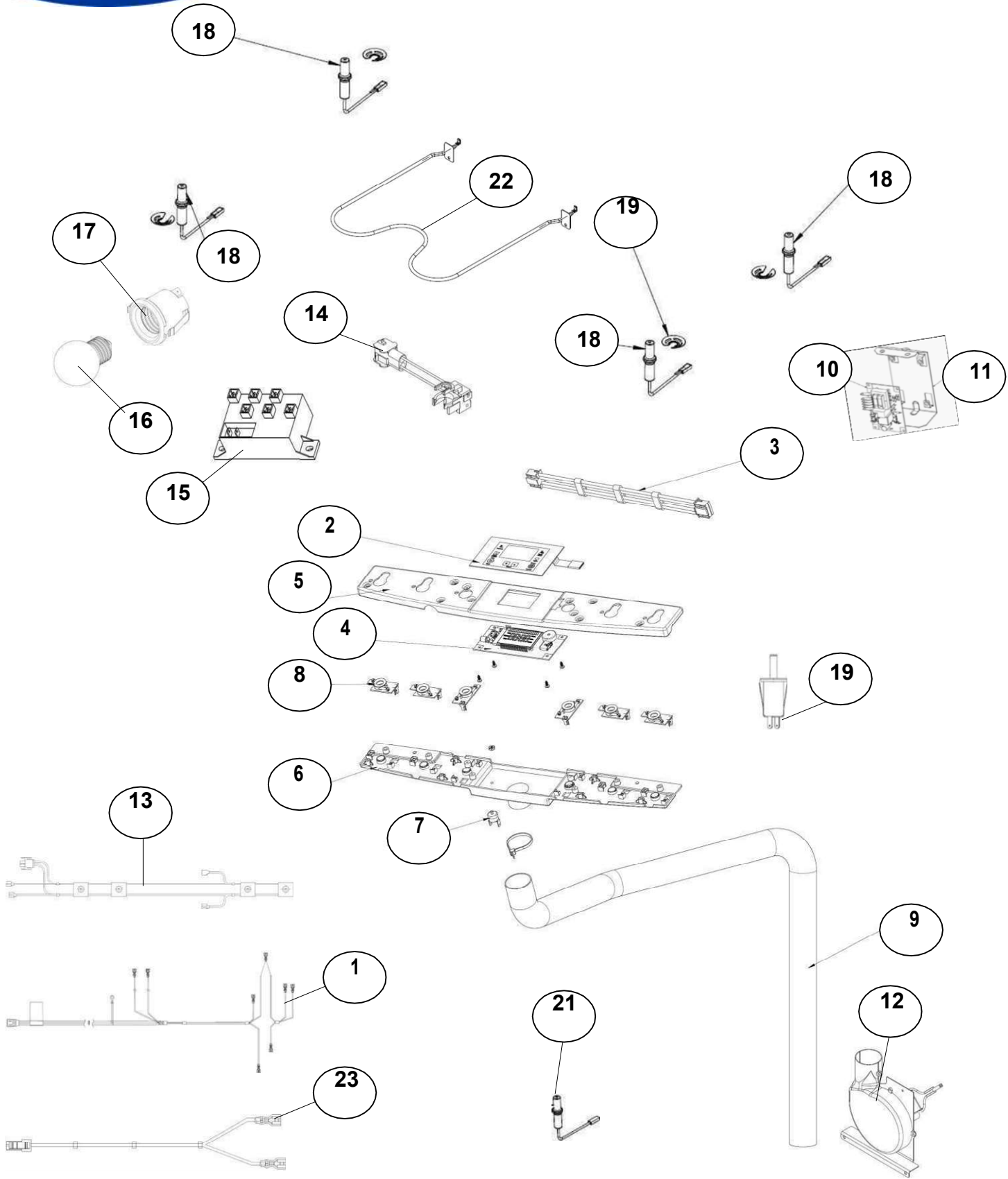
<u>No.</u> <u>Ilus.</u>	<u>DESCRIPCIÓN</u>	<u>Cant.</u>	<u>No. de Parte</u>
1	FRONT FRAME	1	W10448074
2	SIDEPANEL - MIDNIGHTGREY	2	W10354874
3	BROIL BACK COVER	1	W10515063
4	C - BRACKET	2	W10538119
5	CORNER BRACKET RH	1	W10364813
6	CORNER BRACKET LF	1	W10446940
7	FRONT BRACKET OVEN BURNER	1	W10475852
8	COUNTER SUPPORT	2	W10327222
9	OVEN DOOR SEAL	1	W10759584
10	BASE CORNER FRONT	2	W10718549
11	BASE RAIL	2	W10446524
12	CROSS SUPPORT - 30"	2	W10327223
13	FRONT VERTICAL PILLAR F/S	2	W10354862
14	OVENINSULATION WRAPPER 30"	1	W10364807
**	ALUMINUM FOIL ULTRA	**	W10446939
16	OVEN RACK	2	W10743506
17	OVEN BOTTOM 30"	1	W10764694
18	FLUE BOX ASM	1	W10742507
19	BRACKET OVEN BURNER	1	W10381594
20	GUIDE-RACKSUPPORT(RIGHT)	1	W10744031
21	GUIDE - RACK SUPPORT (LEFT)	1	W10743523
22	RACK SUPPORT ASSY. (RIGHT)	1	W10743545
23	RACK SUPPORT ASSY. (LEFT)	1	W10743544
24	PUSH ROD	2	W10743557
<u>25</u>	<u>BRACKET RETAINER</u>	<u>2</u>	<u>W10479996</u>



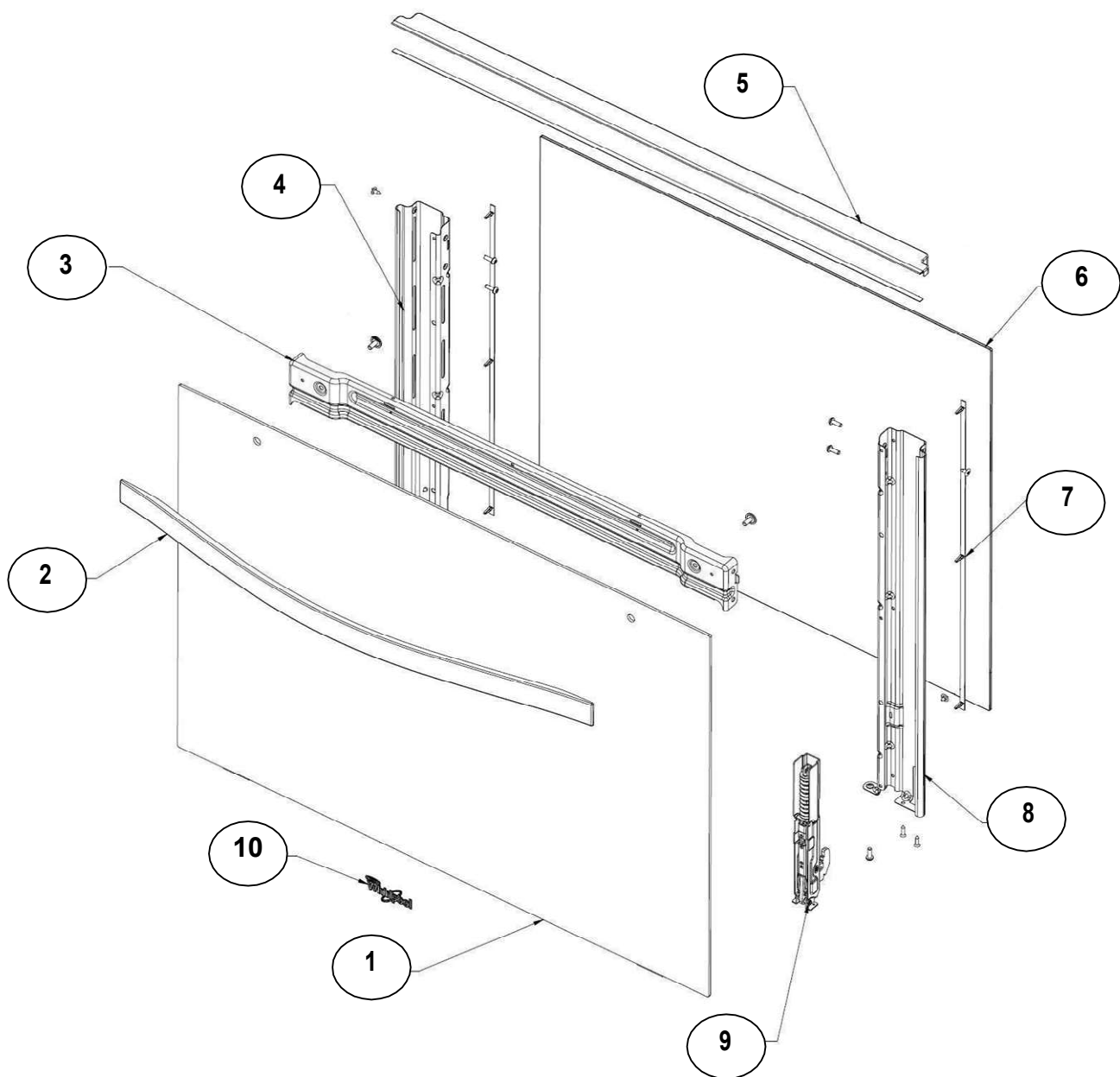
No. Ilus.	DESCRIPCIÓN	Cant.	No. deParte
1	MANIFOLD TUBE	1	W10738168
2	VALVE SURF ZAMAK TUB.STD	2	W10141712
3	VALVE SURF ZAMAK TUB.SUP	2	W10141714
4	DUAL VALVE	1	W10381658
5	THERMOSTAT WITH SAFETY	1	W10387499
6	FRONT TUBING ASM - SUP	1	W10494190
7	REAR TUBING ASM - SUP	1	W10557404
8	FRONT TUBING ASM - STD	1	W10557405
9	REAR TUBING ASM - STD	1	W10494192
10	TUBING INTERNAL SIMMER - TORCH BURNER	1	W10422227
11	TUBING EXTERNAL RING - TORCH BURNER	1	W10422192
12	HOLDER ASSY - TORCH BURNER	1	W10535661
13	OVEN TUBING ASSY	1	W10647687
**	TUBING ASSY BOTTOM - OVEN	**	W10381596
15	BRACKET - SURFACE BURNER	4	W10354300
16	NUT BRACKET TUBING	4	98017323
17	OVEN BURNER	1	W10519079
18	THERMOCOUPLE	1	W10491992
19	VALVE - SHUT OFF	1	W10777489
20	BRACKET - SHUT OFF VALVE	1	W10553975
**	OVEN TUBING CONNECTOR	**	W10387478
22	TUBING - CUT OFF	1	W10387503
23	FITTING -3/8NPT MALETO 5/8"FLARED	1	W10527477
24	SADDLE CONNECTION	5	W10421119
25	SADDLE CONNECTION - DUAL VALVE	1	W10511639
26	PRESSURE REGULATOR ASSEMBLY	1	W10682560
MANIFOLD TUBE ASSY			W10623848
KIT CONV NG			W10513486
KIT CONV LP			W10513485



ESTUFA WF9950S02



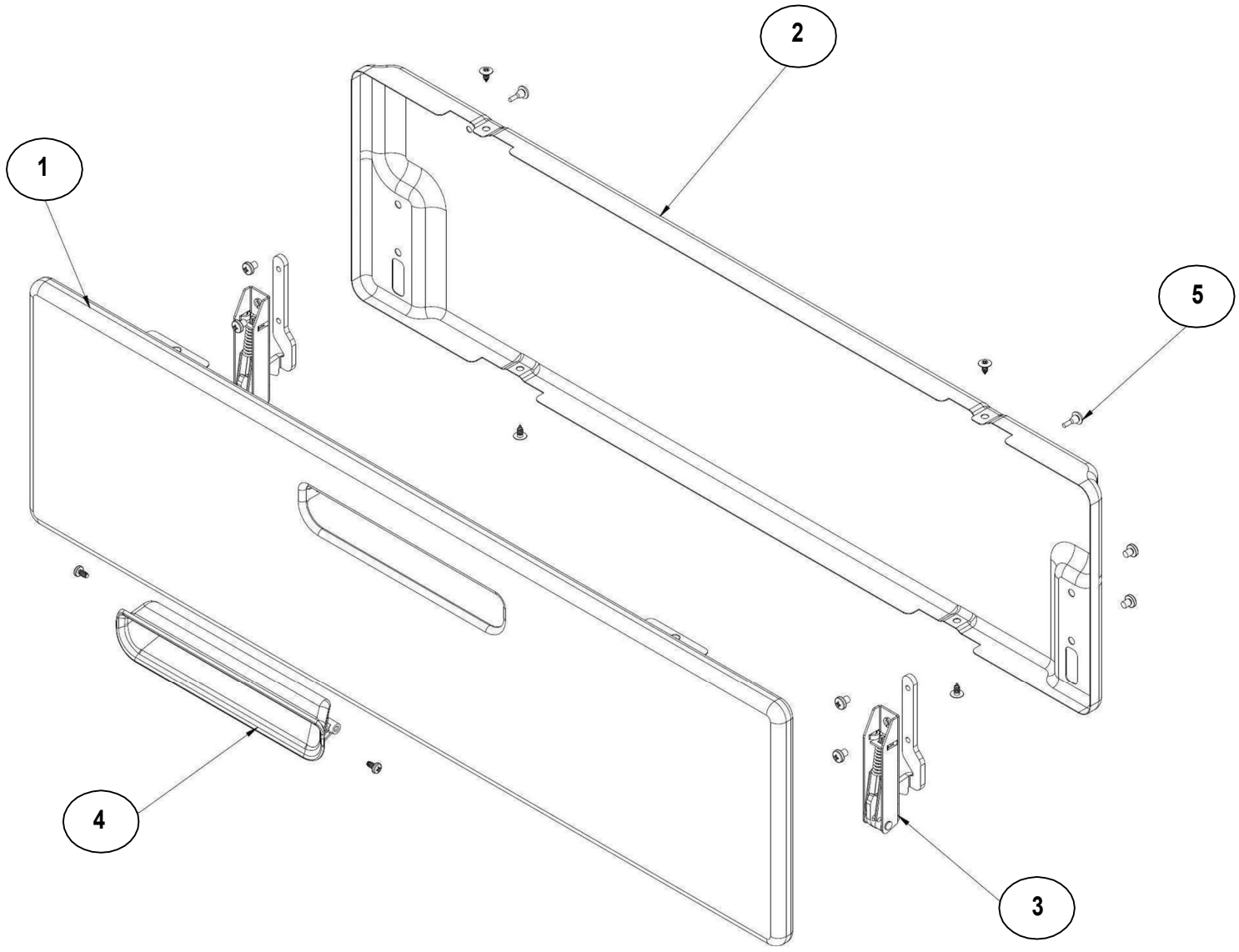
<u>No. Ilus.</u>	<u>DESCRIPCION</u>	<u>Cant</u>	<u>No. de Parte</u>
1	MAIN HARNESS HW	1	W10675405
2	TODMEMBRANE DR& ILLUMBI	1	W10446874
3	TOD HARNESS DRAGON	1	W10675690
4	TOD PLUS DR	1	W10381664
5	MOUNTING BRACKET COVER	1	W10513441
6	MOUNTING BRACKET BASE	1	W10738169
7	THERMO SWITCH	1	W10244824
8	LIGHTING BOARD ASSY	1	W10738343
9	ULTRA FAN DUCT	1	W10492455
10	TOD SUPPLY SOURCE ILLUM	1	W10555964
11	SUPPLY SOURCE BRACKET	1	W10745757
12	FAN BLOWER	1	W10391629
13	SWITCH HARNESS DR	1	W10381661
14	SWITCH HARNESS - DUAL VALVE	1	W10511641
15	SPARK MODULE 6 POS.	1	W10455035
16	OVEN BULB	1	W10788320
17	SOCKET - OVEN LIGHT	1	W10554269
	TOP ELECTRODE 740mm	1	W10391624
18	TOP ELECTRODE 650mm	1	W10391625
	TOP ELECTRODE 500mm	1	W10381604
	TOP ELECTRODE 350mm	1	W10381605
19	CLIP IGNITOR -TOP BURNER	4	W10654842
20	SWITCH DOOR	1	98005765
21	OVEN ELECTRODE	1	W10145060
22	BROIL ELEMENT 1500W	1	W10385329
23	THERMO SWJUMPER	1	W10381618



No. Ilus.	DESCRIPCIÓN	Cant.	No. deParte
1	FS MASK & OUTER GLASS ASM S.S.	1	W10528451
2	OVEN DOOR HANDLE	1	W10397442
3	OVEN DOOR CROSS SUPPORT	1	W10387343
4	OVEN DOOR PILLAR RIGHT	1	W10460272
5	UPPER TRIM - OVEN DOOR	1	W10544145
6	INNER GLASS - OVEN DOOR	1	W10372163
7	INNER GLASS SEAL	2	W10292266
8	OVEN DOOR PILLAR LEFT	1	W10460273
9	OVEN DOOR HINGE	2	W10420753
10	BADGE-WHIRLPOOL CENTENNIAL	1	W10481433



ESTUFA WF9950S02





ESTUFA WF9950S02

No. Ilus.	DESCRIPCIÓN	Cant.	No. deParte
1	OUTER BROILER DOOR - STAINLESS STEEL	1	W10482110
2	30" INNER BROILER DOOR	1	W10446851
3	BROILER DOOR HINGE LEFT	1	W10625517
	BROILER DOOR HINGE RIGHT	1	W10661466
4	HANDLE - BROILER DOOR, SHADOW GRAY	1	W10495568
5	BUMPER DOOR - BROILER	2	98004052
BROILER DOOR ASM - SS			W10493745

KIT DE CONVERSION GAS NATURAL:	W10513486	
Componentes a solicitar:	W10132112 (2)	ORIFICE STD BURNER
	W10118331 (2)	ORIFICE SUPER BURNER
	W10549801 (1)	ORIFICE TORCH SIMMER
	W10549840 (1)	ORIFICE TORCH SPREADER
	W10539375 (1)	ORIFICE OVEN BURNER
	W10121465 (1)	BY-PASS THERMOSTAT

NOTA IMPORTANTE

Si el número de serie de la estufa a la cual se le realizará la conversión de gas comienza de la siguiente manera VE722XXXXX o en adelante, es decir, VE723XXXXX, VE724XXXXX etc. favor de solicitar el contenido del siguiente kit. En caso de que el número de serie comience de diferente manera favor de solicitar el kit de arriba

Componentes a solicitar:	W10874075 (1)	TUBING TRASERO IZQUIERDO
	W10874076 (1)	TUBING FRONTAL IZQUIERDO
	W10874077 (1)	TUBING TRASERO DERECHO
	W10874079 (1)	TUBING FRONTAL DERECHO
	W10549801 (1)	ESPREA QUEMADOR SIMMER
	W10549840 (1)	ESPREA TORCH SPREADER
	W10539375 (1)	ESPREA QUEMADOR HORNO
	W10452673 (2)	VALVULA QUEMADOR ESTANDAR
	W10452674 (2)	VALVULA QUEMADOR SUPER
	W10121465 (1)	BY PASS THERMOSTATO