



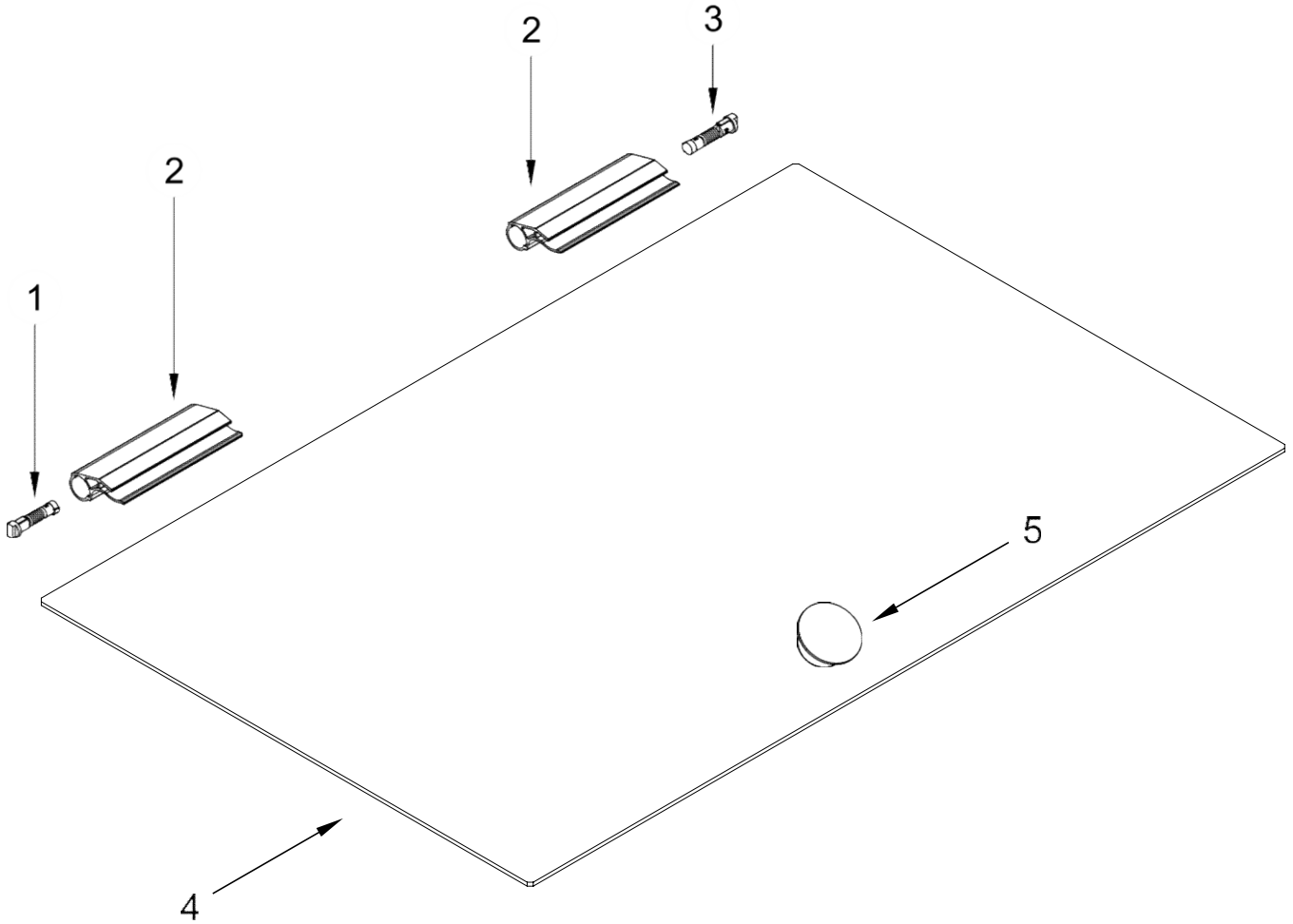
30" GAS RANGE BABEL 2° WAVE
Service Parts Catalog (EXPLOSIONADO DE PARTES)

MODELS:

WFR7100S00



ESTUFA WFR7100S00



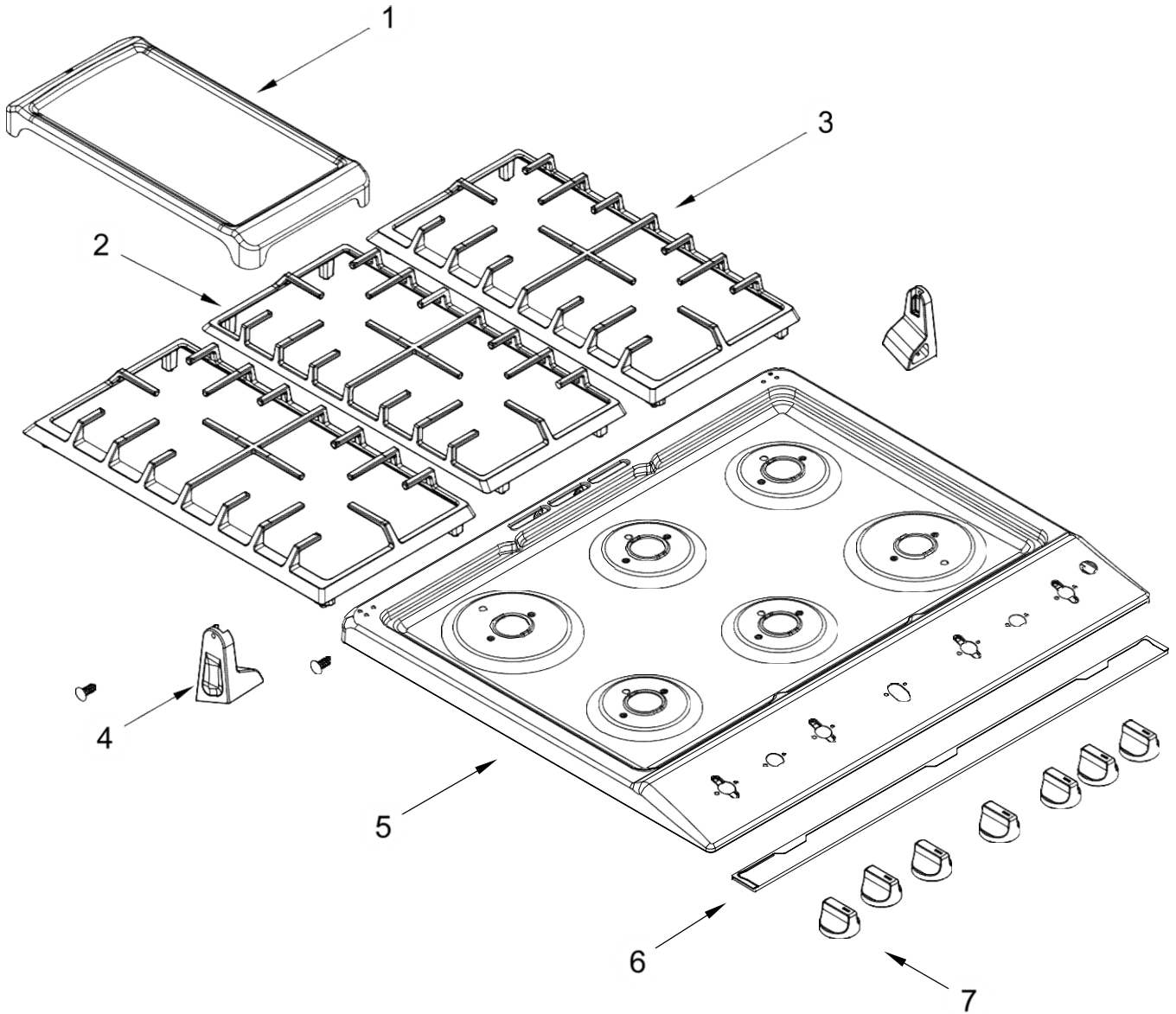
ESTUFA WFR7100S00

<u>Illus. No.</u>	<u>Part No.</u>	<u>Description</u>
1	W10497101	L.H. HINGE - GLASS LID Bisagra del capelo
2	W10566116	TRIM - GLASS LID FLAT, SHOR Molduras del capelo

<u>Illus. No.</u>	<u>Part No.</u>	<u>Description</u>
3	W10206666	R.H. HINGE GLASS LID Bisagra del capelo
4	W11038178	EBL FLAT GLASS LID - SIMPLE Vidrio del capelo

<u>Illus. No.</u>	<u>Part No.</u>	<u>Description</u>
5	W10896319	BUMPER - GLASS LID BLE Cojinete
6	W11038357	GLASS-LID,ASSY,FS Capelo completo

ESTUFA WFR7100S00



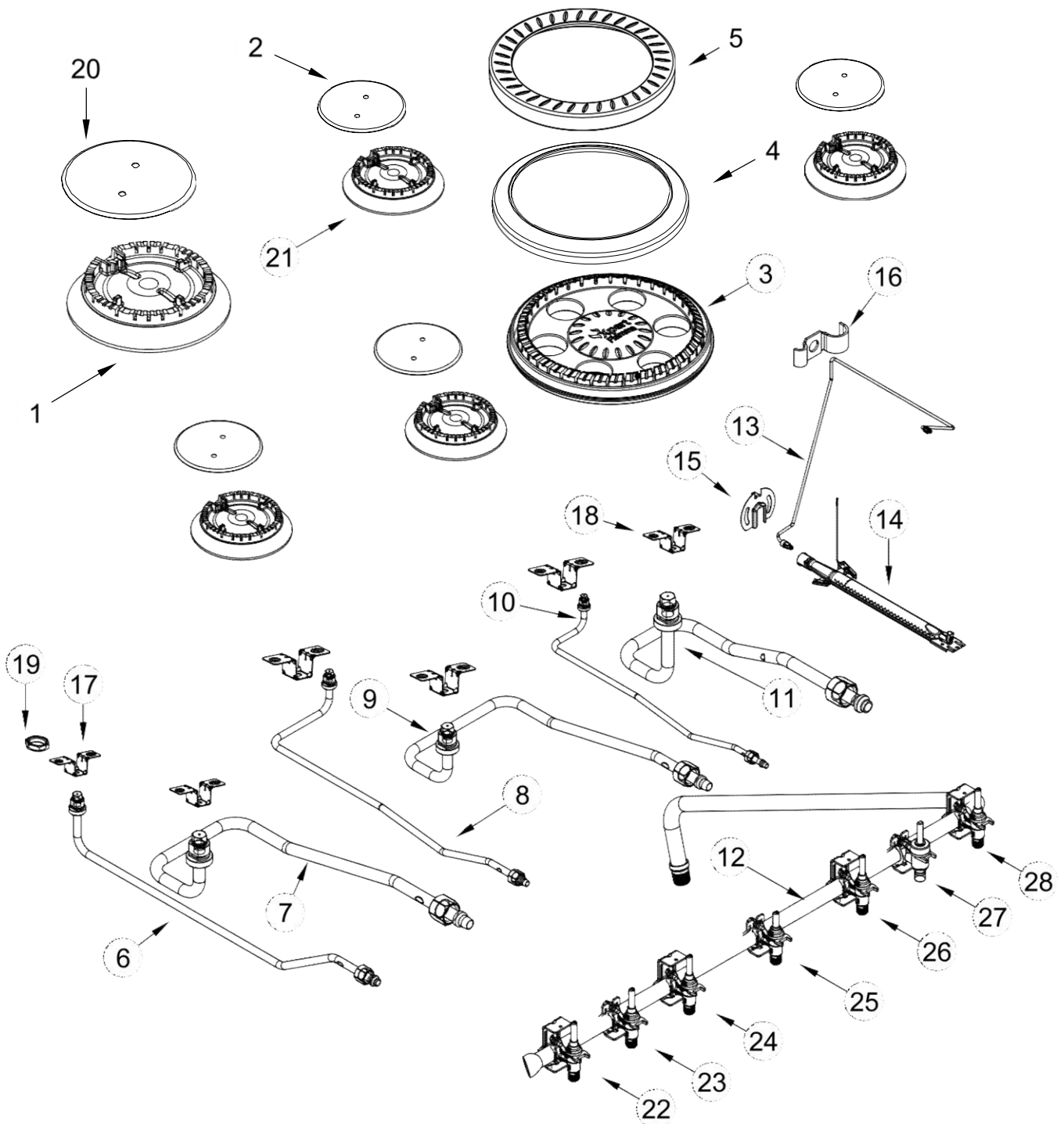
ESTUFA WFR7100S00

<u>Illus. No.</u>	<u>Part No.</u>	<u>Description</u>
1	W10387433	GRIDDLE -STAMPED TEFLONIZED Comal con teflón
2	W11170840	CAST IRON GRATE CENTRAL EBL Parilla central
3	W11170839	CAST IRON GRATE LATERAL EBL PARRILLA LATERAL

<u>Illus. No.</u>	<u>Part No.</u>	<u>Description</u>
4	W11035411	BRACKET - LS GLASS LID Sujetador de capelo izquierdo
5	W11171833	30" COOKTOP DECOR. 4STD + 2 7 SUP HE A.I. CUBIERTA SUPERIOR

<u>Illus. No.</u>	<u>Part No.</u>	<u>Description</u>
6	W11098906	COOKTOP LOWER COVER Cobertura Inferior de Cubierta
	W11132321	Single Knob 30" Perilla

ESTUFA WFR7100S00

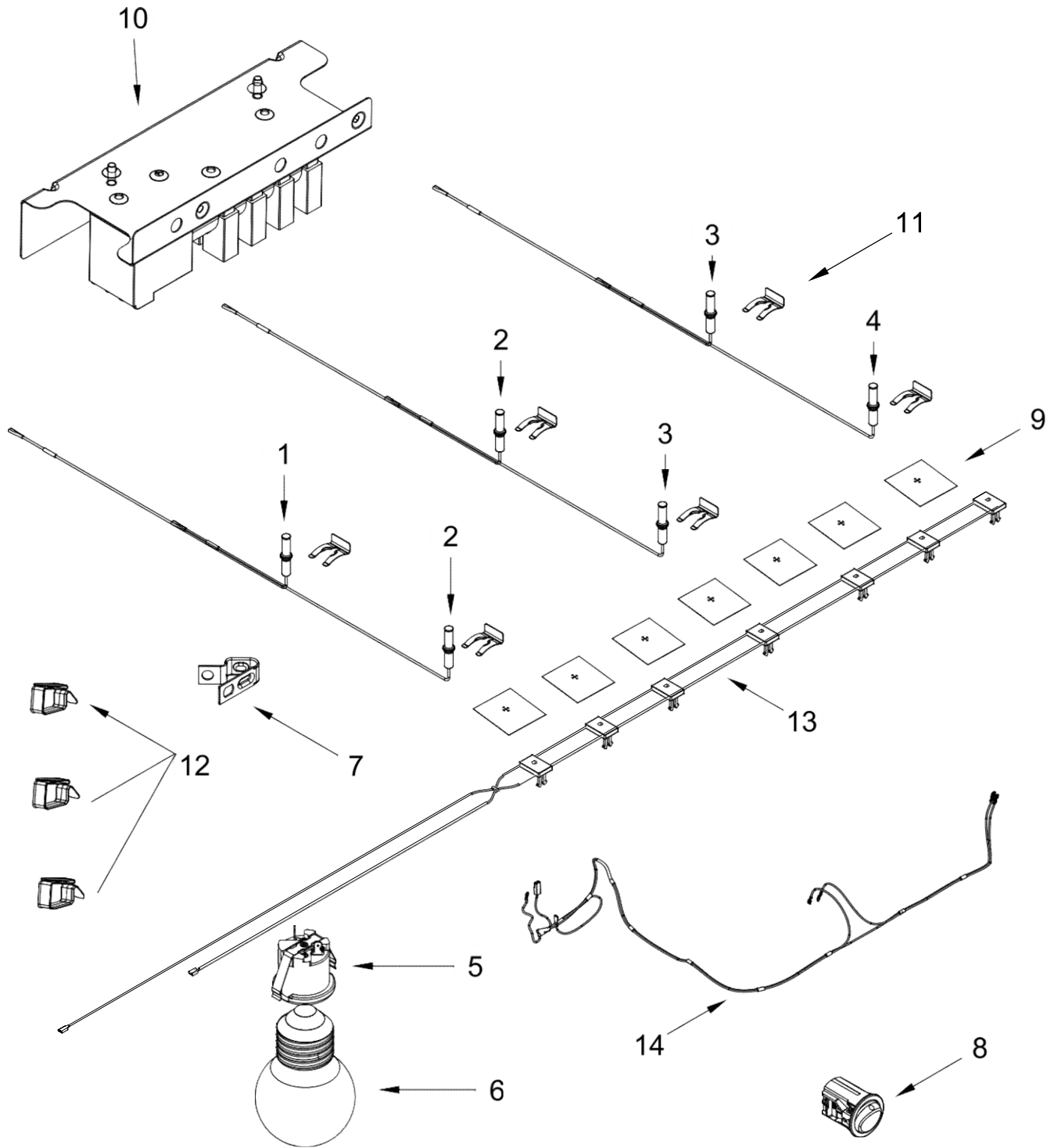


ESTUFA WFR7100S00

<u>Illus. No.</u>	<u>Part No.</u>	<u>Description</u>	<u>Illus. No.</u>	<u>Part No.</u>	<u>Description</u>	<u>Illus. No.</u>	<u>Part No.</u>	<u>Description</u>
1	W10356319	SUPER BURNER SAND BLASTED CLEAR Super quemador	10	W11234446	REAR TUBING ASSY RGT - STD MIH Tubo trasero	20	W10874486	SUPER CAP BURNER MATTE Tapa del super quemador
2	W10874485	STD CAP BURNER MATTE Tapa del quemador STD	11	W11037236	FRONT TUBING ASSY RGT - SUP HE Tubo Frontal	21	W10354371	STD BURNER (SANDBLASTED - CLEAR) Quemador STD
3	W10860540	SPREADER ASSY SUPER DAVINCI BURNER 2.0 Super quemador	12	W11038114	MANIFOLD TUBE ASSY 3STD+1STD Manifold	22	W10200741	VALVE SURF ZAMAK TUB.SUP PROP Valvula
4	W10744982	SUPER DAVINCI BUNER CAP WHSD Tapa del super quemador	13	W11037362	OVEN TUBING TC - ASM Tubing del horno	23	W10200740	VALVE SURF ZAMAK TUB.STD PROP Valvula
5	W10672379	CAP - DAVINCI SUPER BURNER Tapa del super quemador	14	W11261253	OVEN BURNER ASSY W/ELECTRODE Quemador del horno	24	W10200740	VALVE SURF ZAMAK TUB.STD PROP Valvula
6	W11234445	REAR TUBING ASSY LFT - SUP MIH Tubo trasero	15	98005713	Retainer, Burner Retenedor del horno	25	W10557455	VALVE THERMOC. 5 POS. PROPANE Termostato
7	W11234443	FRONT TUBING ASSY LFT - STD MIH Tubo Frontal	16	98005026	Clip, Tubing CLIP DEL TUBING DEL HORNO	26	W10200740	VALVE SURF ZAMAK TUB.STD PROP Valvula
8	W11234447	REAR TUBING ASSY CTR - STD MIH Tubo trasero	17	W10354300	BRACKET - SURFACE BURNER Soporte para quemadores	27	W11181433	VALVE SURF 4 STEPS STD LP LONG LENGTH Valvula
9	W11234444	FRONT TUBING ASSY CTR - STD MIH Tubo Frontal	18	W10702875	BRACKET SURF - DAV SUPERBURNER Soporte para quemadores	28	W10200741	VALVE SURF ZAMAK TUB.SUP PROP Valvula
			19	W10610297	Nut Tornillo			

KIT DE CONVERSIÓN A GAS NATURAL - WFR7100S		
Numero de Parte	Nombre de la pieza	Cantidad
W10118331	ORIFICE SUP BURNER	1
W10132112	ORIFICE STD BURNER	4
W10716160	ORIFICE SUP HE BURNER	2
W10539375	ORIFICE OVEN BURNER	1
W10200741	VALVE FOR STD BURNER	3
W10258173	VALVE FOR SUP BURNER	1
W10258173	VALVE FOR SUP HE BURNER	1
W11183707	VALVE FOR EASY KNOB	1
W10557456	THERMOCONTROL	1

ESTUFA WFR7100S00



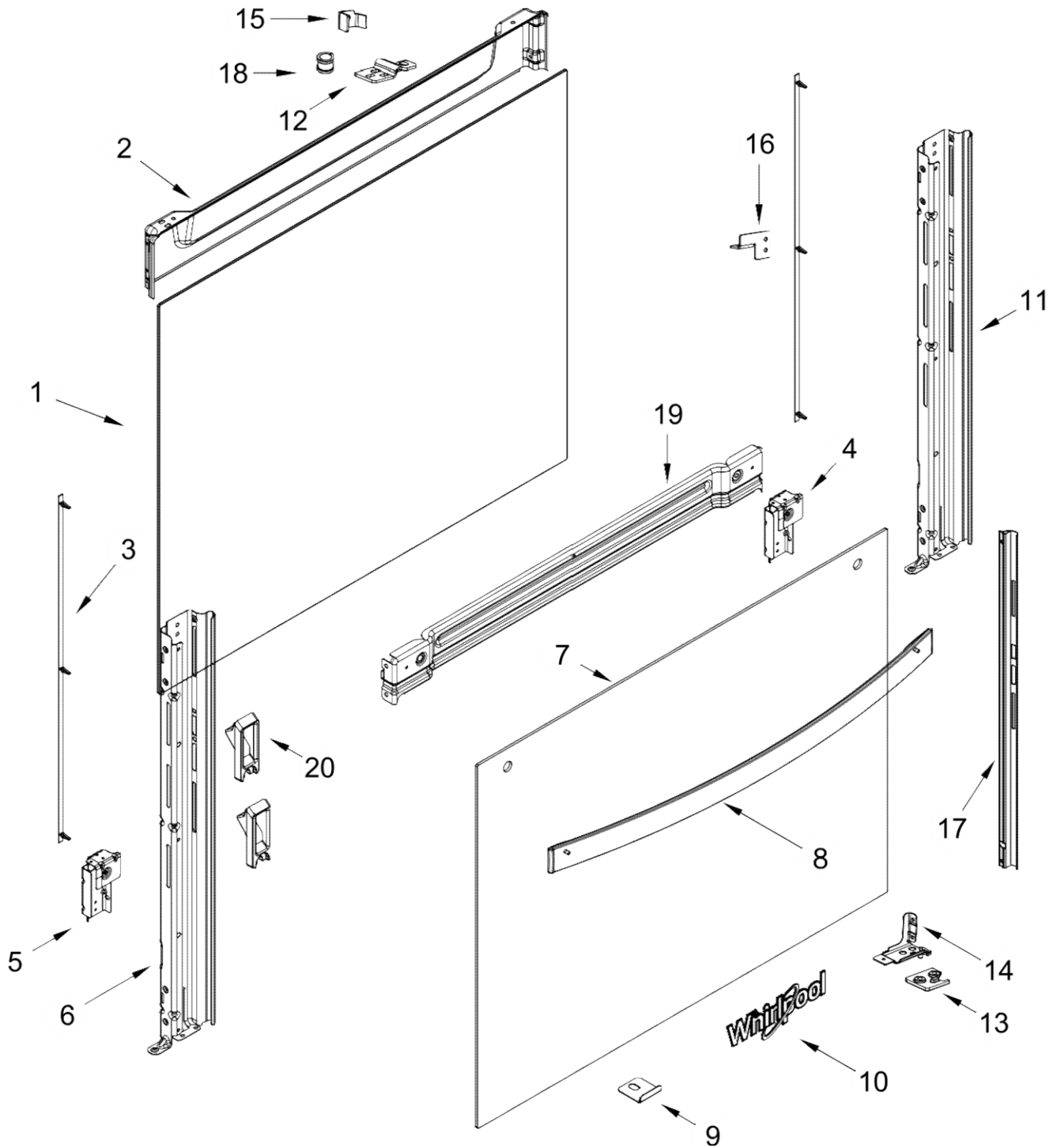
ESTUFA WFR7100S00

<u>Illus. No.</u>	<u>Part No.</u>	<u>Description</u>
1	W11100632	TOP ELECTRODE BABEL 350 Bujia
2	W11100631	TOP ELECTRODE BABEL 500 Bujia
3	W11100630	TOP ELECTRODE BABEL 650 Bujia
4	W11100633	TOP ELECTRODE BABEL HE 850 Bujia
5	W10554269	Socket - Oven Light Adaptador para foco
6	W10788320	Bulb, Light Foco del horno

<u>Illus. No.</u>	<u>Part No.</u>	<u>Description</u>
7	98005894	Clamp, Cord abrazadera
8	W11351467	ROCKER SWITCH - PROTECTED / MAINTAINED Interruptor para la luz del horno
9	W10519553	COVER SWITCH PAPER Cubierta del switch
10	W11126961	BABEL SPARK MODULE 7 ASSEMBLY Modulo de encendido
11	W10822899	CLIP ELECTRODE SS Clip del electrodo

<u>Illus. No.</u>	<u>Part No.</u>	<u>Description</u>
12	98005896	Clip, Wire Clip del cable
13	W11202751	SWITCH HARNESS 7 POS ZMK - BABEL Switch del arnes
14	W11046710	MAIN HARNESS FIRE BEST Arnes principal

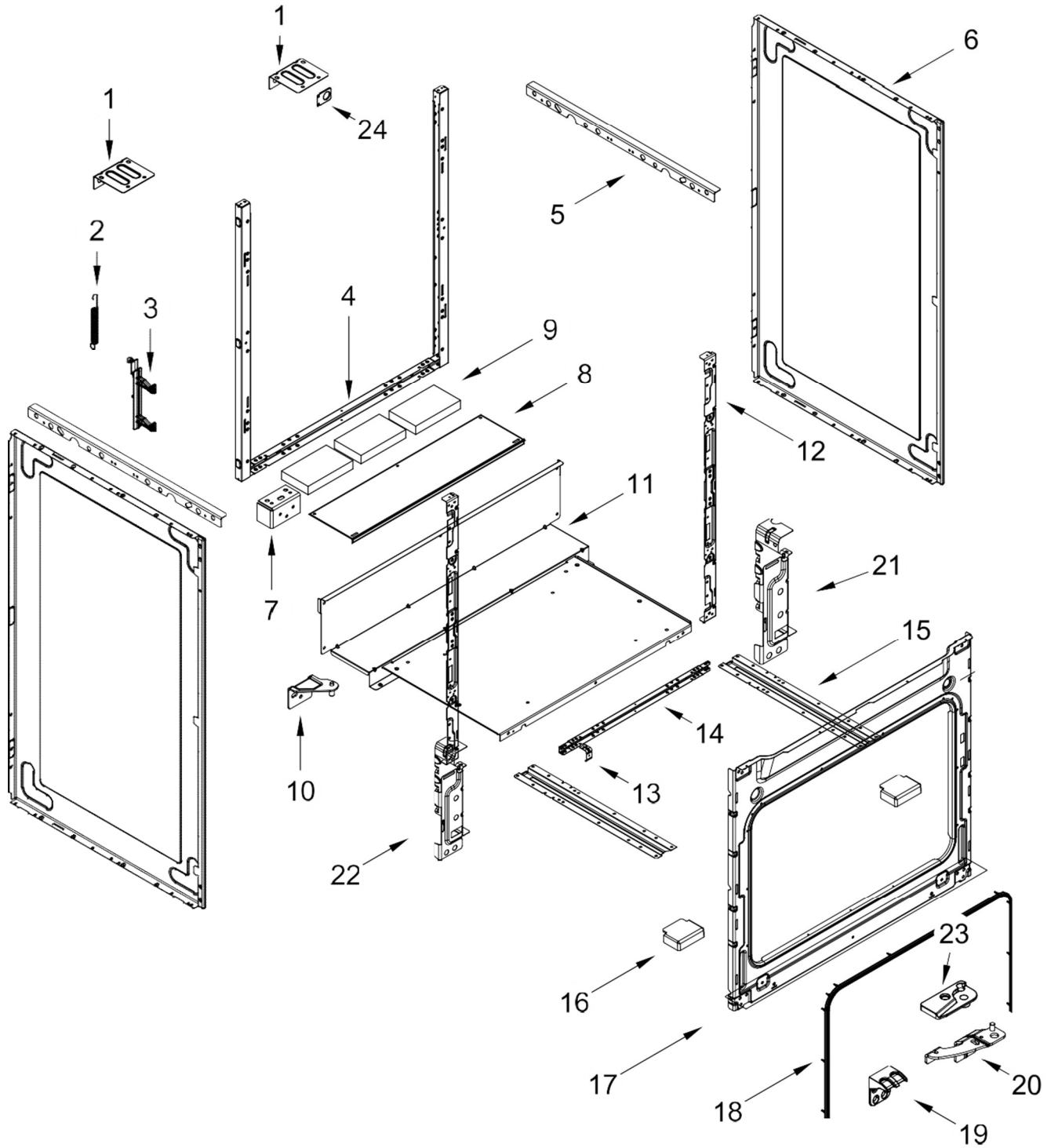
ESTUFA WFR7100S00



ESTUFA WFR7100S00

<u>Illus. No.</u>	<u>Part No.</u>	<u>Description</u>	<u>Illus. No.</u>	<u>Part No.</u>	<u>Description</u>	<u>Illus. No.</u>	<u>Part No.</u>	<u>Description</u>
1	W11218609	INNER GLASS - OVEN DOOR SWING Vidrio Interno de la puerta del horno	8	W11165656	HANDLE ASSY,WP30 BREATHE 2.0 BABEL Agarradera	15	W11125914	COVER UPPER BRACKET Soporte Superior
2	W11105595	COVER OVEN DOOR SWING FINISH Tapa superior de la puerta	9	W10811550	BRACKET DOOR GLASS HOLDER BLACK Soporte del vidrio de la puerta	16	W11112383	BRACKET SLIDE OUT SWING DOOR Soporte puerta deslizable
3	W10292266	Seal, Inner Door Sello de la puerta del horno	10	W10884775	Badge (Nameplate) Logotipo	17	W11201798	DOOR TRIM RH, FIN Revestimiento puerta
4	W11096062	SUPPORT BRACKET HANDLE RGT Soporte de la jaladera	11	W11396435	PILLAR, BRACKET ASSY,RH,FIN Pilar derecho de la puerta del horno	18	W11312652	BUSHING Cojinete
5	W11096065	SUPPORT BRACKET HANDLE LFT Soporte de la jaladera	12	W11319154	ADJUST ROTATION UPPER BRACKET Soporte Superior	19	W11297520	OVEN DOOR CROSS SUPPORT - FIN TRAVESAÑO DE PUERTA DE HORNO
6	W11096314	OVEN DOOR PILLAR LEFT SWING S/O - FINISH Pilar izquierdo de la puerta del horno	13	W11159133	MECHANICAL STOP SWING DOOR - UPPER Tope superior de la puerta	20	W11312651	LATCH-RECEIVER Receptor de cierre
7	W11290446	FS OUTER DOOR GLASS & LOWER TRIM-MIR Vidrio Exterior de la puerta del horno	14	W11083068	ROTATION BRACKET LOWER Soporte Inferior Ensamble	21	W11115315	KIT OVEN DOOR - SWING FS S/O - MIRROR Kit de la puerta del horno

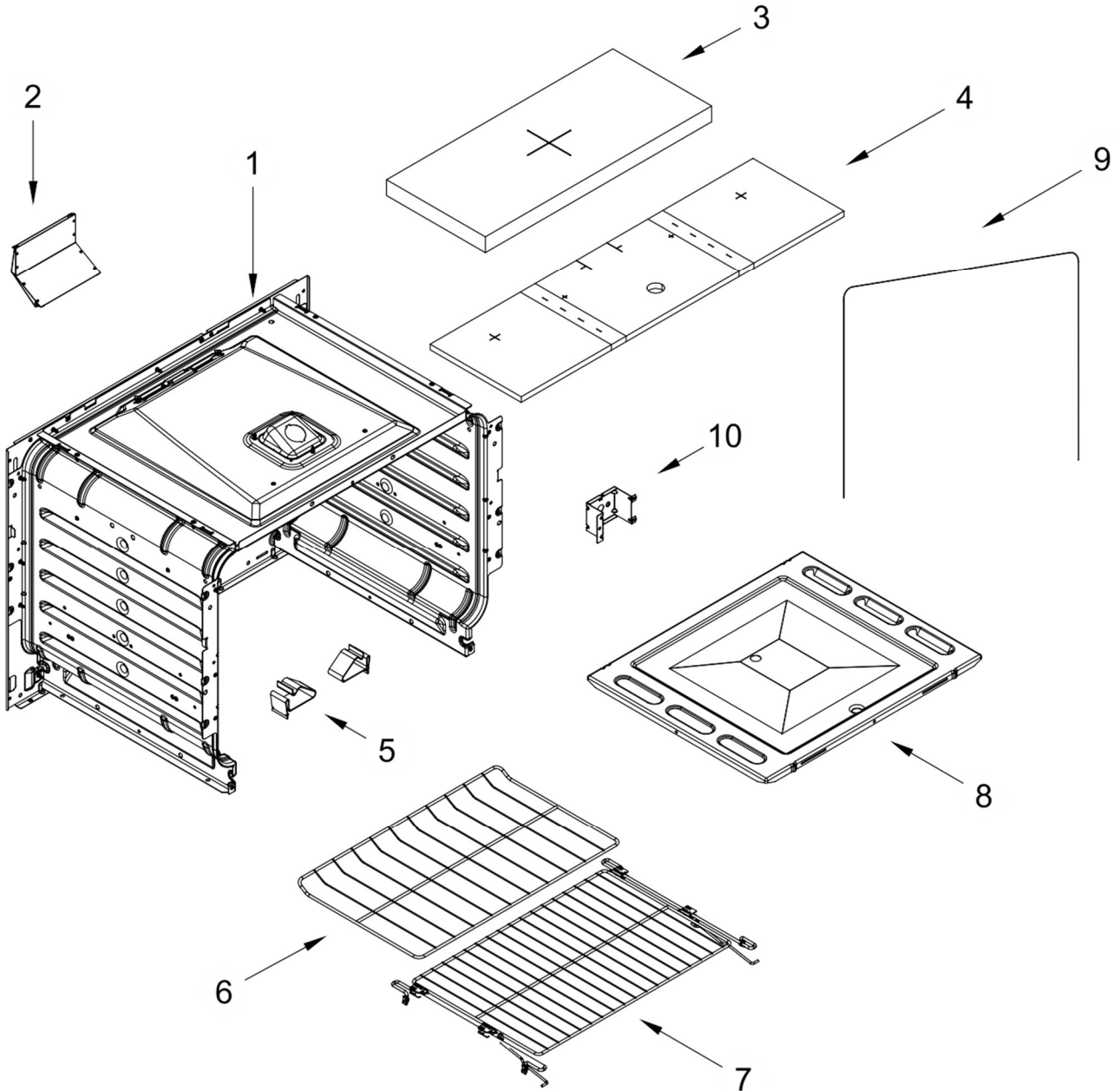
ESTUFA WFR7100S00



ESTUFA WFR7100S00

<u>Illus. No.</u>	<u>Part No.</u>	<u>Description</u>	<u>Illus. No.</u>	<u>Part No.</u>	<u>Description</u>	<u>Illus. No.</u>	<u>Part No.</u>	<u>Description</u>
1	W11131923	CORNER BRACKET Soporte esquinero	10	W11082584	TOP SWING HINGE - SHORT SWING Soporte Superior	18	W10759584	SEAL OVEN DOOR CS Sello de la puerta del horno
2	W11312616	SPRING Resorte	11	W10515063	BROILER BACK OVER ASM CUBIERTA SUPERIOR	19	W10912746	DOOR SUPPORT Soporte
3	W11312650	LATCH-HOOK Gancho de seguridad	12	W11167392	FRONT VERTICAL PILLAR - SWING Pilar frontal vertical	20	W11162687	BOTTOM SWING HINGE ASSY - SHORT SWING Soporte Inferior Ensamble
4	W10590203	REAR FRAME F/S ASM Ensamble estructural posterior	13	W10616130	OVEN BURNER BRACKET Bracket del quemador del horno	21	W10624275	Cover, Broiler Right Tapa asador derecho
5	W10577312	Support, Side Panel REFUERZO DE PANEL LATERAL	14	W11172775	CROSS SUPPORT - 30" RAW Soporte transversal	22	W10624273	Cover, Broiler Left Tapa asador izquierdo
6	W10869195	SIDE PANEL SHORT FS 30" P- MIDNIGHT GY Panel lateral	15	W10446524	BASE RAIL Base riel	23	W11159151	MECHANICAL STOP SWING DOOR - BOTTOM Tope superior de la puerta
7	W11082674	COUNTERSUPPORT - SWING HINGE Contrabisagra	16	W11085111	BASE CORNER FRONT MIDNIGHT GRAY Base esquinero frontal	24	W10381587	REAR MANIFOLD TUBE BRACKET Soporte trasero tubo de valvulas
8	W11082675	COUNTERWEIGHT GUARD Guarda contra peso	17	W11086733	FRONT FRAME 30" SWING FINISH Marco frontal			
9	98006710	Counterweight Contrapeso						

ESTUFA WFR7100S00



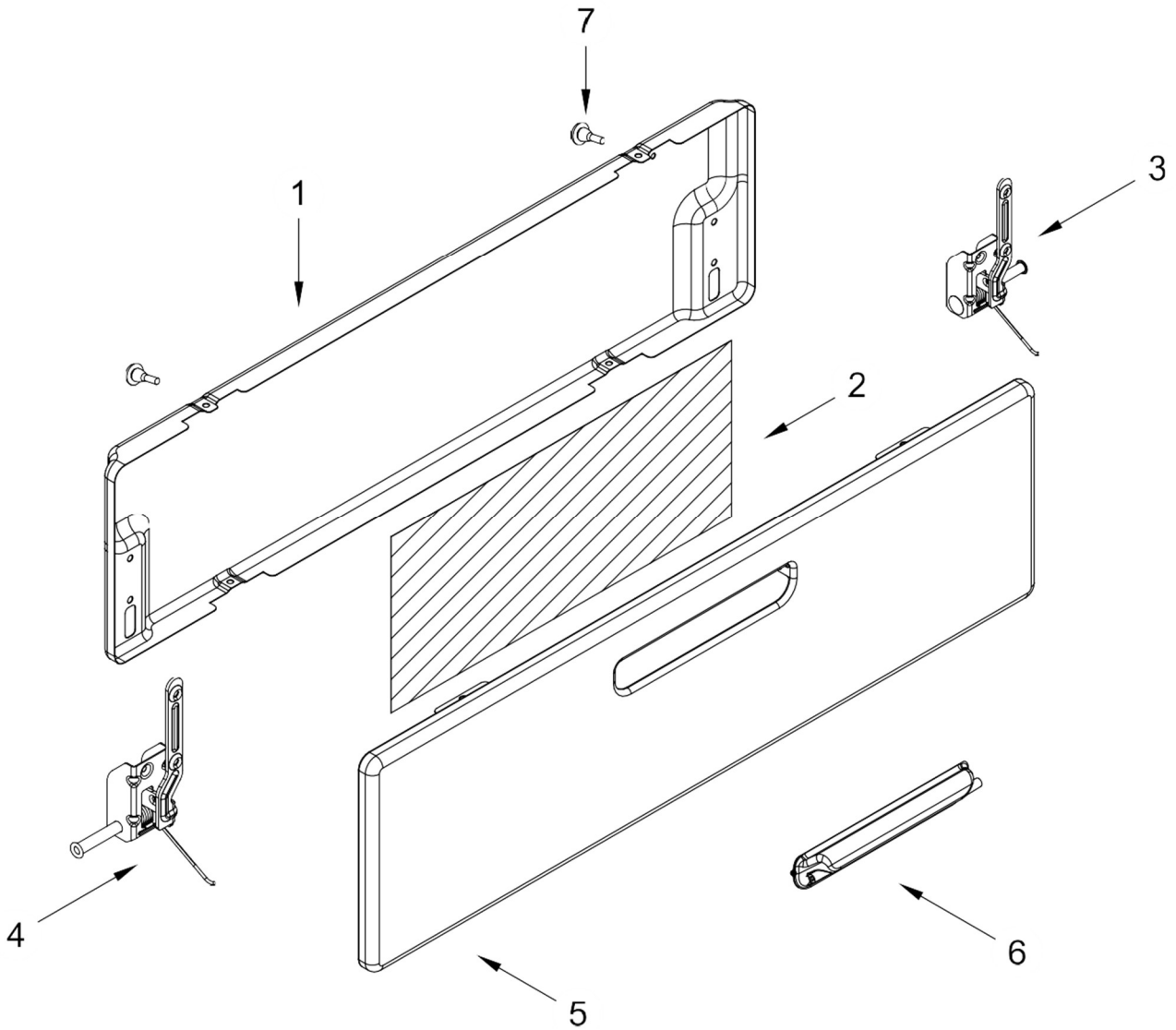
ESTUFA WFR7100S00

<u>Illus. No.</u>	<u>Part No.</u>	<u>Description</u>
1		CAVITY ASM W/LIGHT F/S - NO ES REFACCIONABLE Ensamble de la cavidad
2	W10902086	FLUE BOX ASM Ensamble de chimenea
3	W11130754	Wrapper oven cavity insulation Aislante cavidad del horno

<u>Illus. No.</u>	<u>Part No.</u>	<u>Description</u>
4	W11181059	UPPER INSULATION COVER Cubierta aislante superior
5	98004722	Clip, Cooktop Clip
6	W10550642	Rack, Oven Parrilla del horno
7	W11315540	KIT SLIDE OUT ECONOMIC - SS DOOR kit parrilla deslizable

<u>Illus. No.</u>	<u>Part No.</u>	<u>Description</u>
8	W10764694	Bottom, Oven piso del horno
9	W10132554	WIRE - INSULATION TIE Cable
10	W10381594	BRACKET - REAR, OVEN BURNER Soporte trasero

ESTUFA WFR7100S00



ESTUFA WFR7100S00

<u>Illus. No.</u>	<u>Part No.</u>	<u>Description</u>	<u>Illus. No.</u>	<u>Part No.</u>	<u>Description</u>	<u>Illus. No.</u>	<u>Part No.</u>	<u>Description</u>
1	W10446851	Liner, Broiler Drawer Puerta interna del asador	4	W10625517	HINGE TORSION SYSTEM Sistema de torcion en bisagra	7	98004052	Bumper, Door Cojinete
2		ALUMINUM FOIL 340X152 No refaccionable Papel Aluminio	5	W10482110	Stainless Tapa de la puerta del asador	8	W11177720	KIT BROILER DOOR ASM - SS
3	W10661466	HINGE TORSION SYSTEM - RIGHT Sistema de torcion en bisagra	6	W11176979	HANDLE BROILER DOOR - UNIVERSAL SILVER Agarradera			