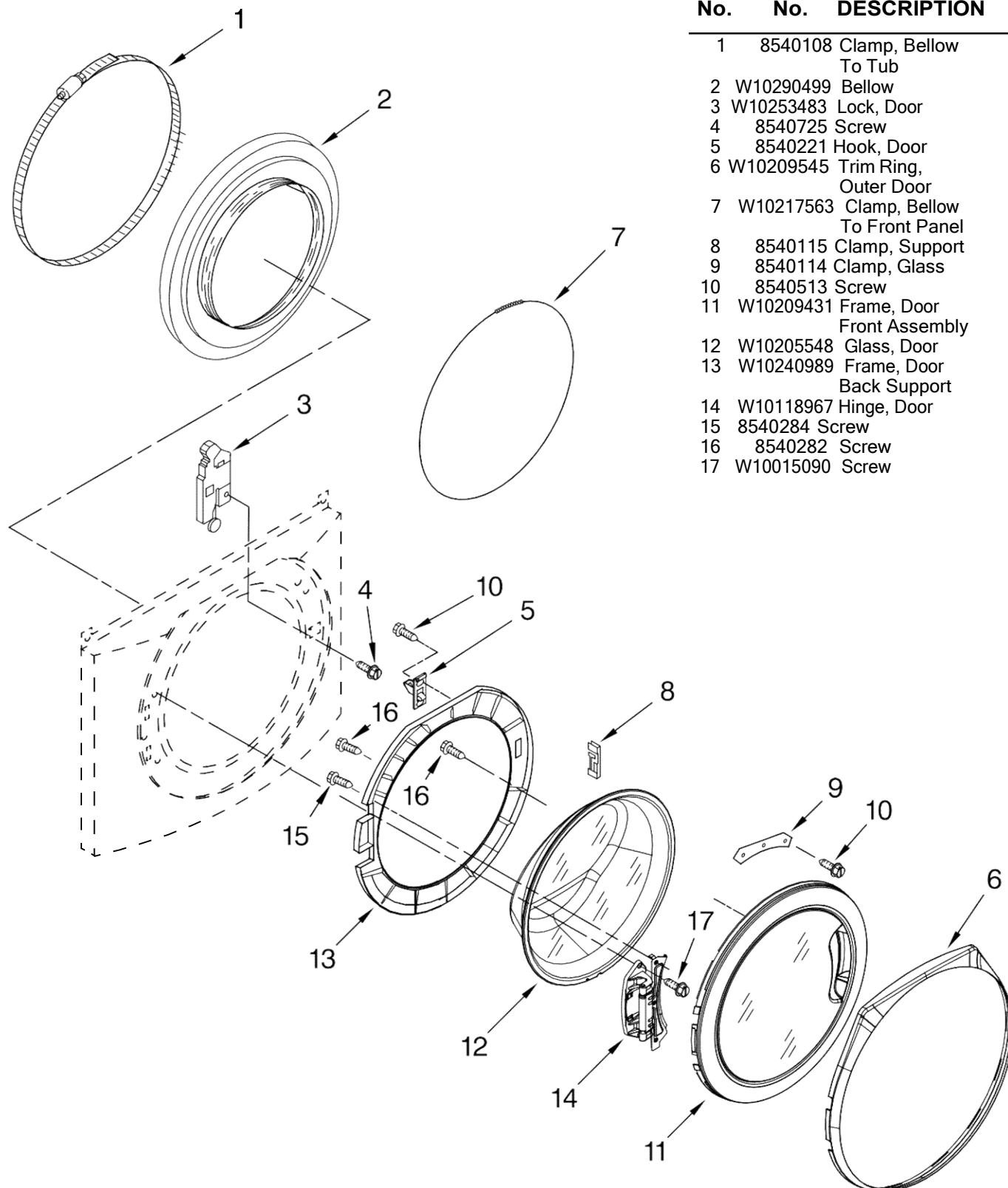


Illus. No.	Part No.	DESCRIPTION
1		Literature Parts W10252714 Use & Care Guide W10252711 Tech Sheet W10252712 Energy Guide
2	8540716	Top
3	W10245758	Cabinet
4	W10255250	Panel, Front
5	8540813	Toe Panel
6	W10245373	Foot, Leveling
7	3359452	Nut, Lock
8	W10110676	Strain Relief, Power Cord
9	8518891	Rivet
10	W10258341	Panel, Rear
11	W10189657	Brace, Transport
12	W10251449	Bolt, Shipping (Set Of 4)
13		Hose, Water Inlet W10194208 Cold Water 8571378 Hot Water

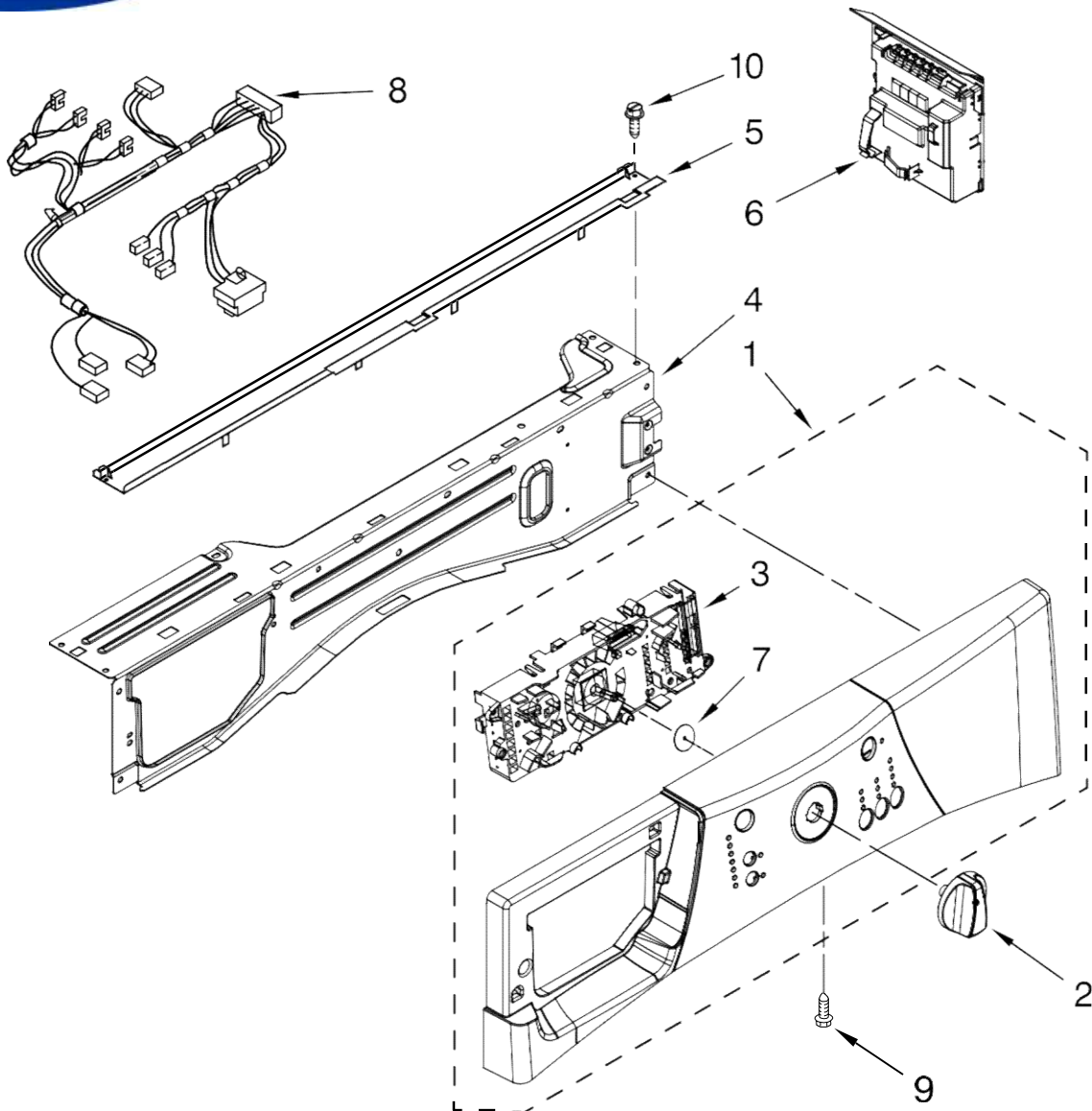
Illus. No.	Part No.	DESCRIPTION
14	W10205500	Cord, Power
15	W10289776	Motor Control Unit
16	W10244560	Brace, Rear
17	356138	Clamp, Hose
18	W10281257	Hose, Drain (Outer)
19	W10003260	Connector, Drain Hose
20	238614	Bumper
21	W10015090	Screw, 8-18 x 5/8
22	W10355868	Filter, Interference
23	W10239066	Switch, Pressure
24	8540294	Hose, Pressure Switch
25	8540479	Screw, Grounding
26	8540268	Cover, Transport
27	8540021	U-Bend, Drain Hose
28	W10085220	Microswitch
29	8540728	Sleeve, Cord Support

Illus. No.	Part No.	DESCRIPTION
30	8540727	Screw, 3 x 8 mm
31	8540329	Screw
32	8540720	Brace, Top (Includes Item 33)
33	8283273	Damper, Brace
34	2161302	Sleeve, Pressure Switch Hose
35	3347868	Cable Tie
36	3976300	Washer, Water Inlet Hose 1-1/16 x 5/8
37	8540644	Bracket-Suspension Spring
38	W10168546	Harness Channel, Side Front
39	8318396	Seal, Foam-IEC
40	8540669	Bracket, Console Retainer
41	8533954	Screw
42	W10239822	Harness, Wiring (Lower Main) (Includes Item 38)



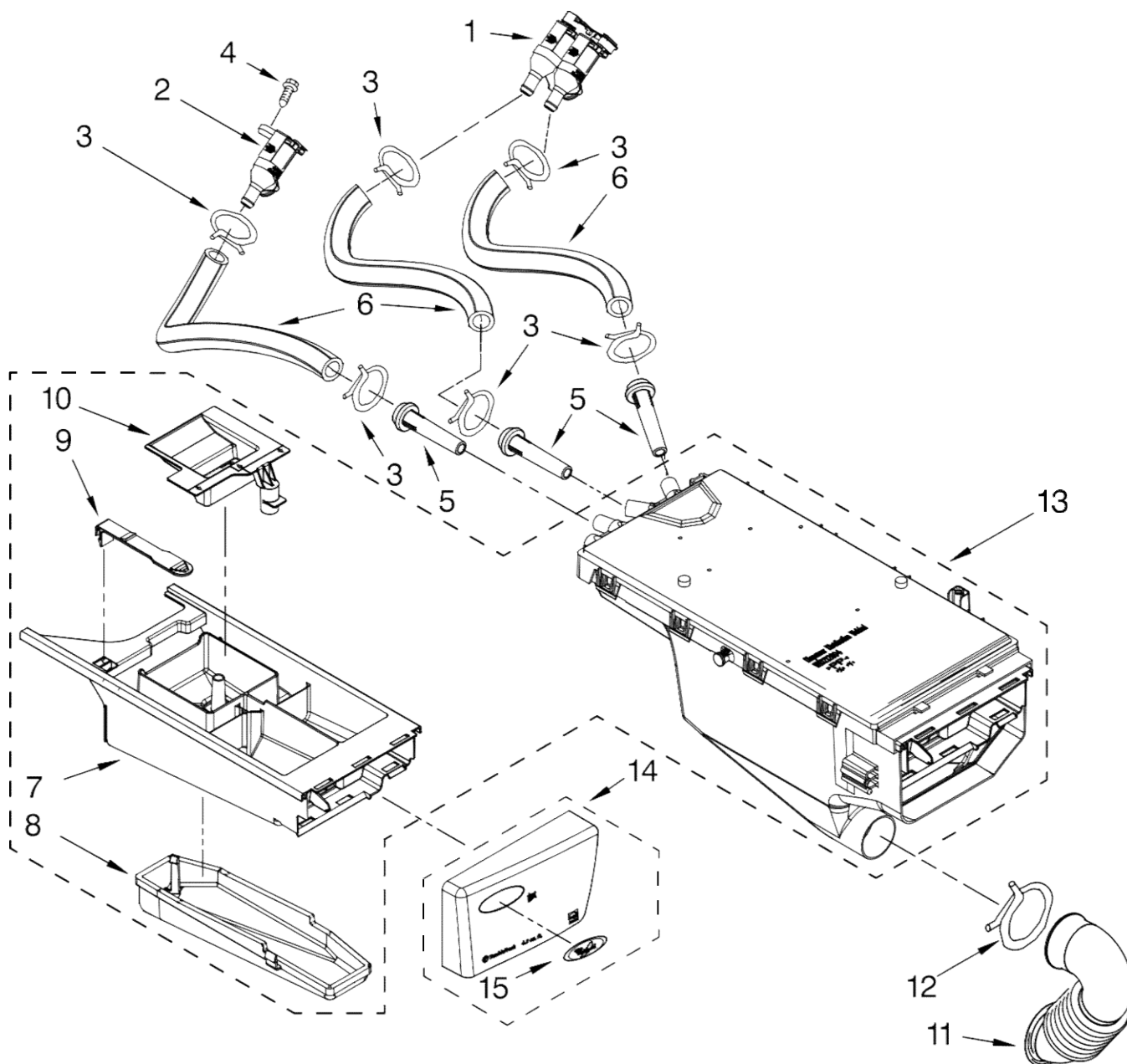
Illus. No.	Part No.	DESCRIPTION
------------	----------	-------------

1	8540108	Clamp, Bellow To Tub
2	W10290499	Bellow
3	W10253483	Lock, Door
4	8540725	Screw
5	8540221	Hook, Door
6	W10209545	Trim Ring, Outer Door
7	W10217563	Clamp, Bellow To Front Panel
8	8540115	Clamp, Support
9	8540114	Clamp, Glass
10	8540513	Screw
11	W10209431	Frame, Door Front Assembly
12	W10205548	Glass, Door
13	W10240989	Frame, Door Back Support
14	W10118967	Hinge, Door
15	8540284	Screw
16	8540282	Screw
17	W10015090	Screw



Illus. No.	Part No.	DESCRIPTION
------------	----------	-------------

- |    |           |                                   |
|----|-----------|-----------------------------------|
| 1  | W10325312 | Console                           |
| 2  | W10236098 | Knob, Control                     |
| 3  | W10212765 | User Interface                    |
| 4  | W10240776 | Brace, Top Front                  |
| 5  | 8540839   | Channel, Water                    |
| 6  | W10309218 | Microcomputer,<br>Machine Control |
| 7  | 8572039   | Seal,<br>User Interface           |
| 8  | W10298264 | Harness, Wiring<br>(Upper Main)   |
| 9  | 8540282   | Screw                             |
| 10 | W10015090 | Screw, 8-18 x 5/8                 |



Illus. No.	Part No.	DESCRIPTION
------------	----------	-------------

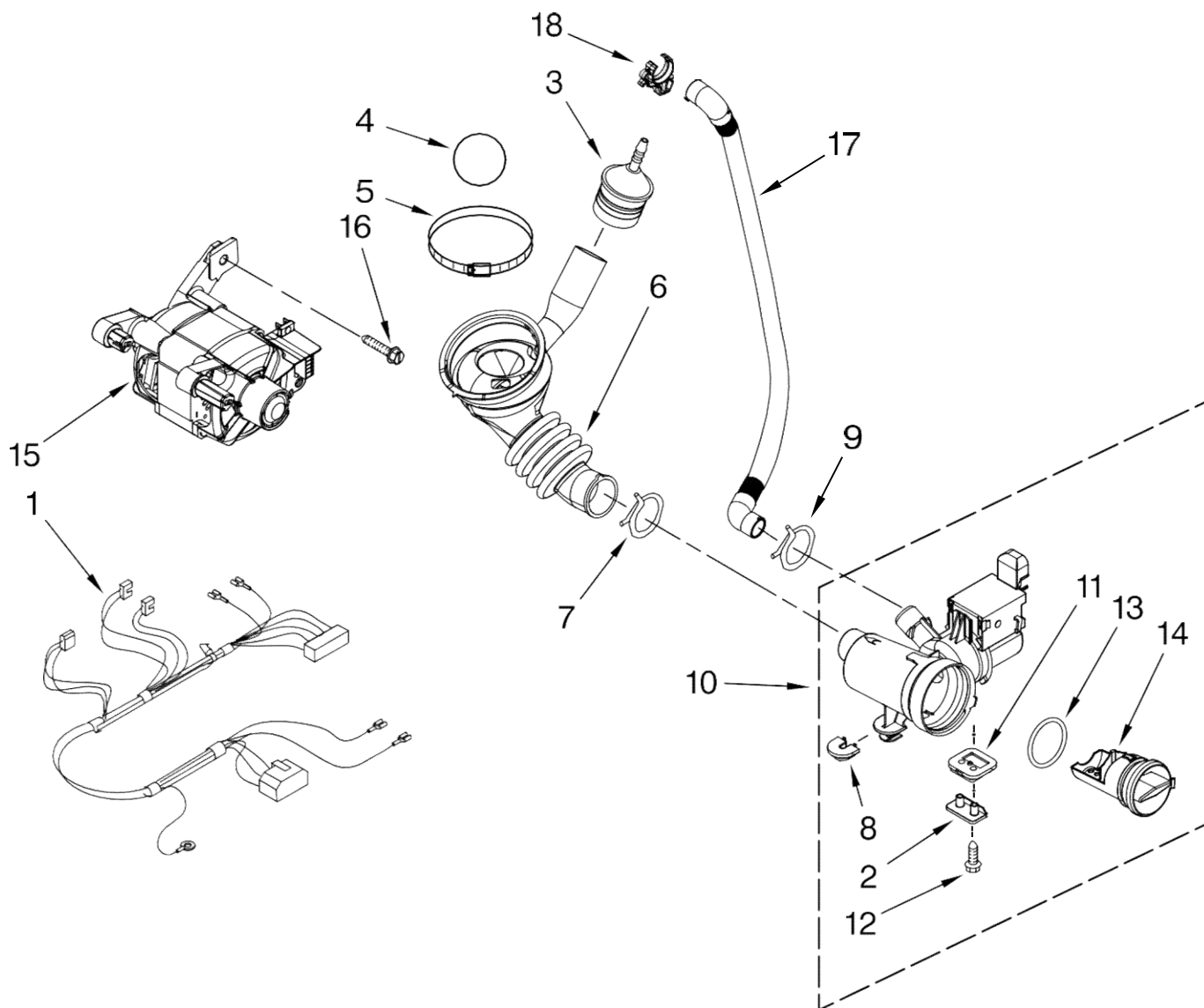
1	W10212596	Valve, Water Inlet (Double)
2	W10212598	Valve, Water Inlet (Single)
3	370450	Clamp, Hose
4	8540513	Screw, Valve
5	8183181	Nozzle, Inlet

Illus. No.	Part No.	DESCRIPTION
------------	----------	-------------

6	W10212611	Hose, Valve To Dispenser
7	8540402	Drawer, Detergent
8	8540399	Cover, Detergent Drawer
9	W10003170	Hook, Drawer
10	8540429	Siphon, Bleach/Softener

Illus. No.	Part No.	DESCRIPTION
------------	----------	-------------

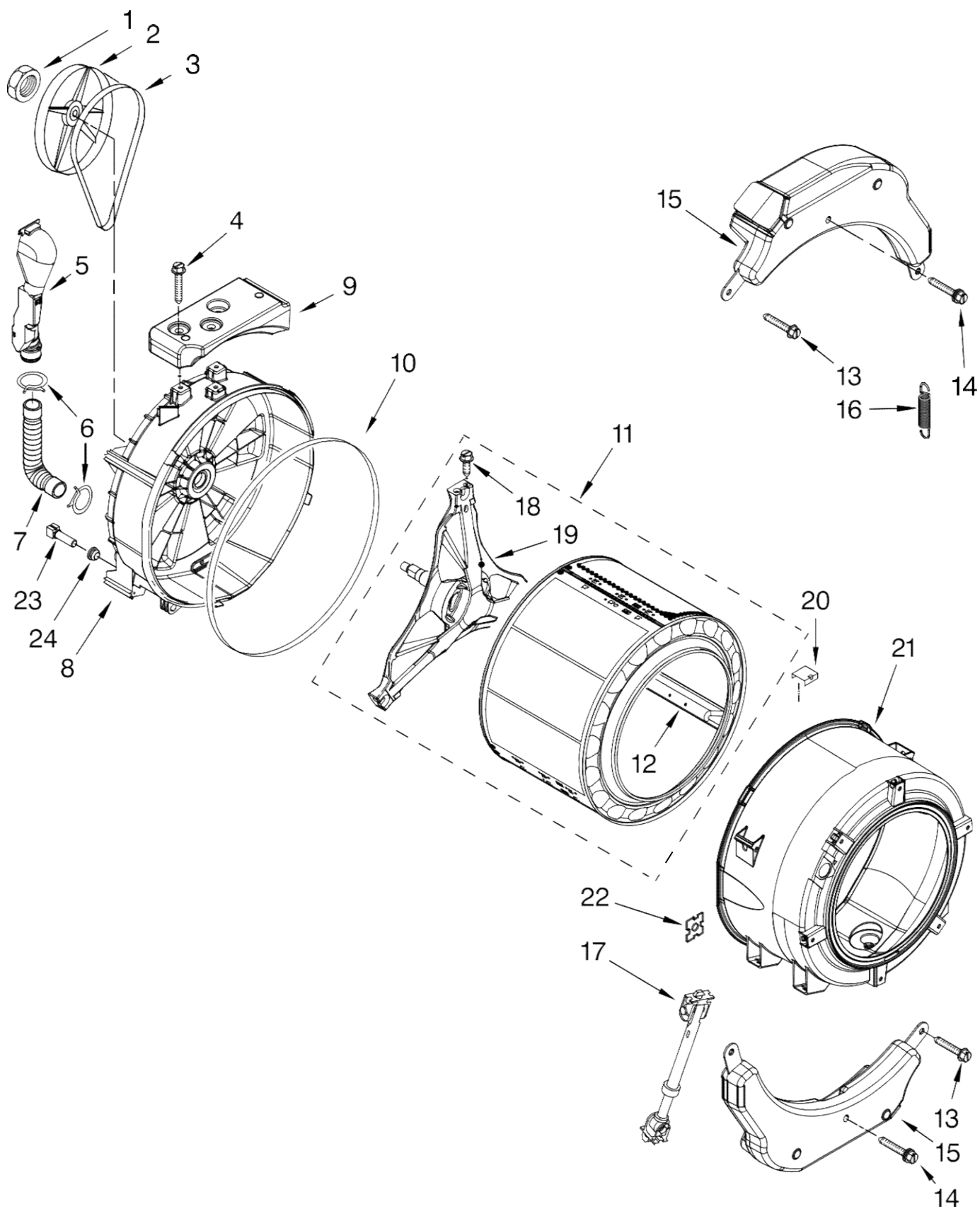
11	8540063	Hose, Dispenser To Tub
12	8281276	Clamp, Hose
13	W10212602	Dispenser, Complete
14	W10212806	Handle, Drawer
15	W10117943	Medallion



Illus. No.	Part No.	DESCRIPTION
1	W10201879	Harness, Motor
2	8540033	Cap, Lock Foot
3	8540180	Air Trap
4	8540013	Ball
5	8181734	Clamp
6	8540012	Hose, Tub to Pump
7	370448	Clamp

Illus. No.	Part No.	DESCRIPTION
8	W10034820	Foot, Rubber (Slider)
9	W10245724	Clamp, Drain Hose
10	W10130913	Pump (Complete)
11	W10034830	Foot, Rubber (Lock)
12	8533964	Screw, 10-16 x 1.25
13	8540025	Seal, Filter Cap

Illus. No.	Part No.	DESCRIPTION
14	8540996	Filter Assembly (Includes Item 13)
15	W10171902	Motor, Drive
16	8540134	Bolt, Motor
17	W10272563	Hose, Drain (Inner)
18	W10003290	Retainer, Drain Hose



<b>Illus. No.</b>	<b>Part No.</b>	<b>DESCRIPTION</b>
1	8533999	Nut, Pulley
2	8540088C	Pulley
3	8540101	Belt, Drive
4	W10246531	Screw, Rear Counterweight
5	W10142720	Pipe, Ventilation
6	8540010	Clamp, Vent Hose
7	8540019	Hose, Exhaust
8	W10200751	Tub, Rear (Includes Items 10 & 22)
9	W10200747	Counterweight, Rear
10	8540090	Gasket, Tub
11	W10202459	Basket, Complete
12	8540360	Baffle, Tub
13	W10094780	Bolt, Front Counterweight
14	W10259288	Bolt Assembly, Counterweight Center Hole
15	W10223198	Counterweight, Front
16	W10010360	Spring, Suspension (Set Of 2)
17	W10015830	Shock Absorber
18	8540382	Screw
19	W10202464	Crosspiece Asm
20	8540092	Clamp, Tub
21	W10303340	Tub, Front (Includes Items 10 & 22)
22	8540072	Nut, Push-In
23	W10176659	Negative Thermistor Control
24	8540766	Seal, Rubber



# OPTIONAL PARTS (NOT INCLUDED)

For Model: WFW9150WW01

(White)

<b>Illus.</b>	<b>Part</b>	
<b>No.</b>	<b>No.</b>	<b>DESCRIPTION</b>

## PAINT, TOUCH-UP (1/2oz.)

72017 White

## PAINT, PRESSURIZED SPRAY (12 oz.)

350938 Primer, Gray

350930 White

## PAINT, BULK (1 qt.)

799344 White (Uncut)

## ACCESSORY PARTS

285863 Drain Extension

W10135699 Affresh

Odor Remover

8572546 Stack Kit