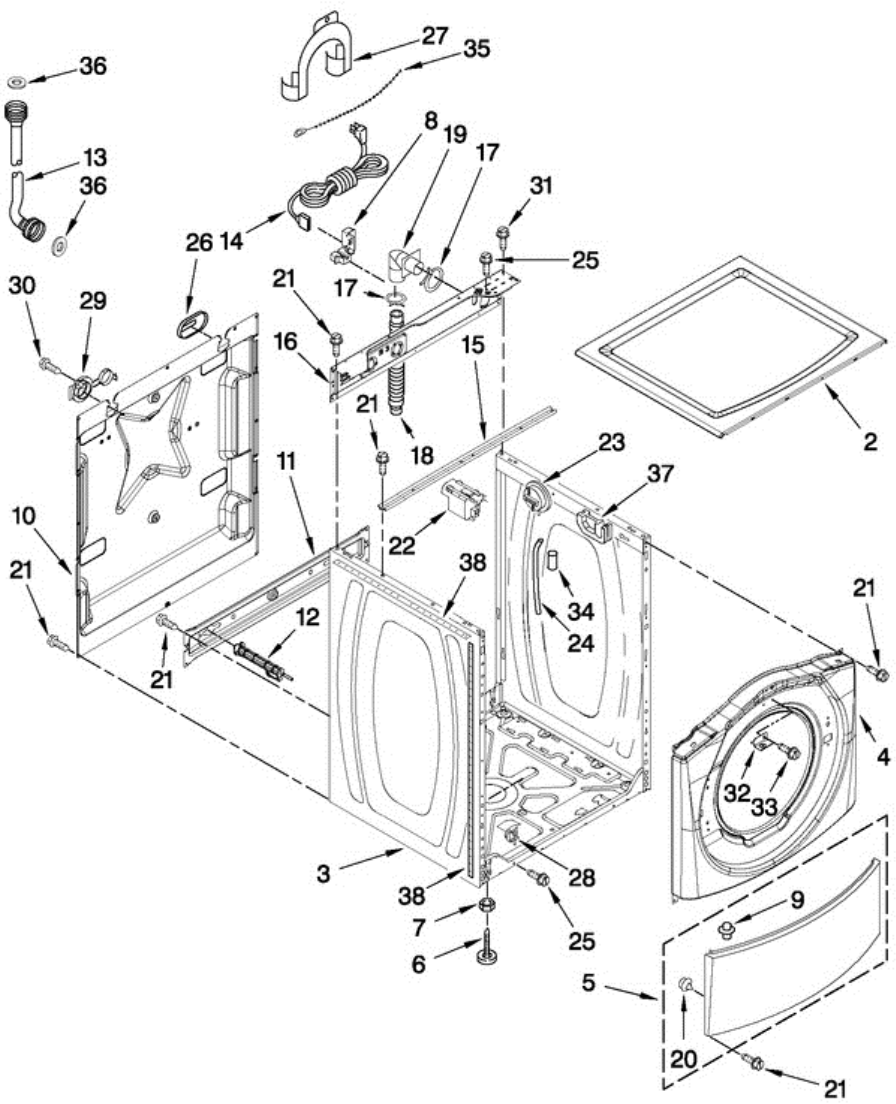


WFW9150WW02 GABINETE



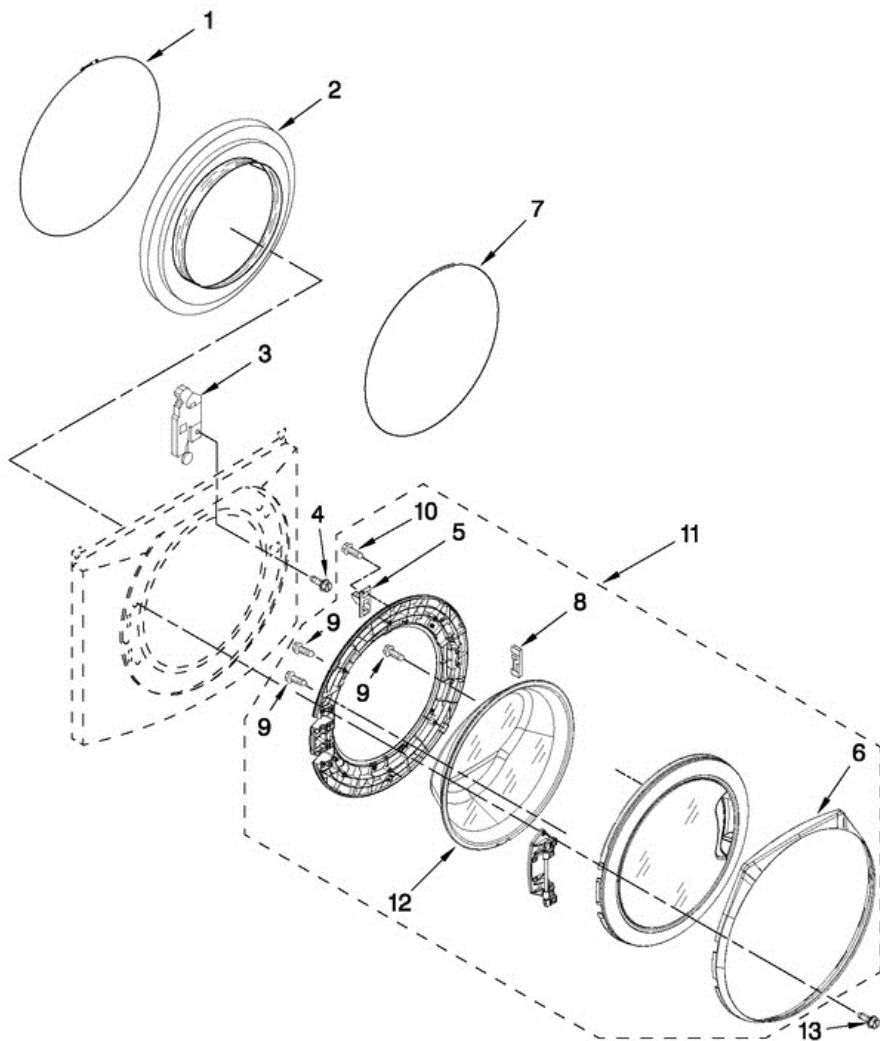


WFW9150WW02 GABINETE

2	W10303994	TOP
3	W10245758	CABINET
4	W10255250	PANEL, FRONT
5	8540813	TOE PANEL
6	W10245373	FOOT, LEVELING
7	3359452	NUT, LOCK
8	W10110676	STRAIN RELIEF, POWER CORD
9	8518891	RIVET
10	W10258341	PANEL, REAR
11	W10189657	BRACE, TRANSPORT
12	W10251449	BOLT, SHIPPING (SET OF 4)
13	8571378	HOSE, WATER INLET (HOT WATER)
13	W10194208	HOSE, WATER INLET (COLD WATER)
14	W10205500	CORD, POWER
15	8540721	BRACE, TOP
16	W10299495	BRACE, REAR
17	356138	CLAMP, HOSE
18	W10281257	HOSE, DRAIN (OUTER)
19	W10003260	CONNECTOR, DRAIN HOSE
20	238614	BUMPER
21	W10015090	SCREW, 8-18 X 5/8
22	W10339736	FILTER, INTERFERENCE
23	W10239066	SWITCH, PRESSURE
24	8540294	HOSE, PRESSURE SWITCH
25	8540479	SCREW, GROUNDING
26	8540268	COVER, TRANSPORT
27	8540021	U-BEND, DRAIN HOSE
28	W10085220	MICROSWITCH
29	8540728	SLEEVE, CORD SUPPORT
30	8540727	SCREW, 3 X 8 MM
31	8540329	SCREW
32	8540669	BRACKET, CONSOLE RETAINER
33	8533954	SCREW

34	2161302	SLEEVE, PRESSURE SWITCH HOSE
35	3347868	CABLE TIE
36	3976300	WASHER, WATER INLET HOSE 1-1/16 X 5/8
37	8540644	BRACKET-SUSPENSION SPRING
38	8318396	SEAL, FOAM-IEC

WFW9150WW02 PUERTA

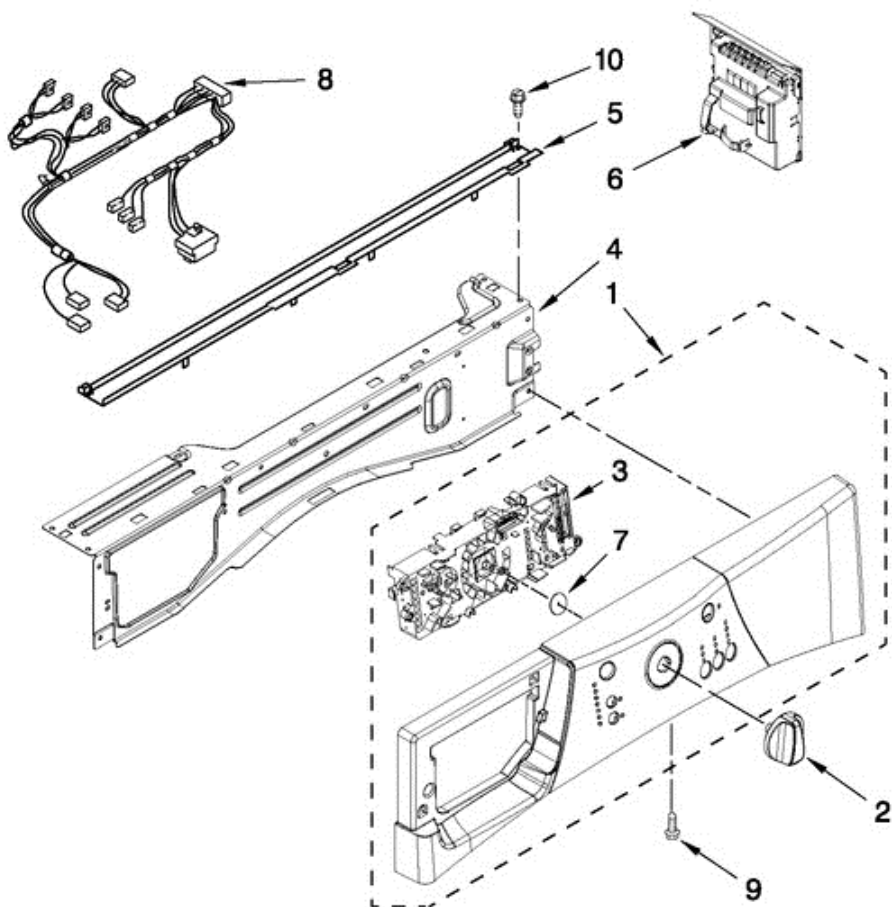




WFW9150WW02 PUERTA

1	8540108	CLAMP, BELLOW TO TUB
2	W10290499	BELLOW
3	W10253483	LOCK, DOOR
4	8540725	SCREW
5	8540221	HOOK, DOOR
6	W10209545	TRIM RING, OUTER DOOR
7	W10217563	CLAMP, BELLOW TO FRONT PANEL
8	8540115	CLAMP, SUPPORT
9	8540282	SCREW
10	8540513	SCREW
11	W10344525	DOOR ASSEMBLY
12	W10387885	GLASS, DOOR
13	W10015090	SCREW

WFW9150WW02 TABLERO

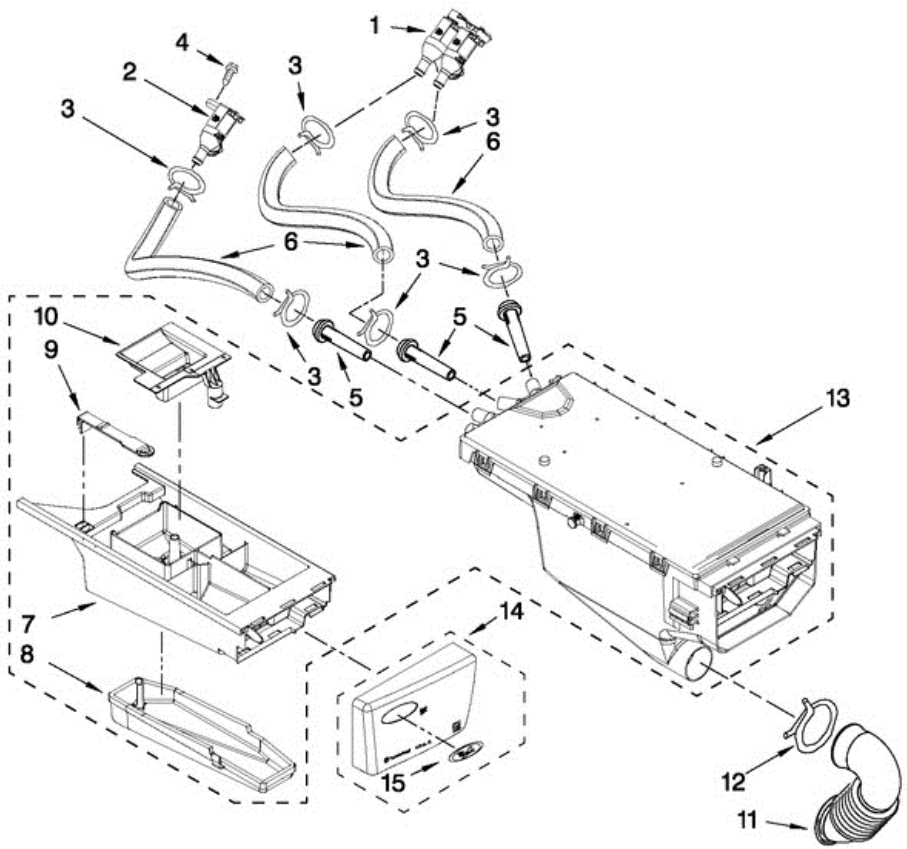




WFW9150WW02 TABLERO

1	W10325312	CONSOLE
2	W10236098	KNOB, CONTROL
3	W10212765	USER INTERFACE
4	W10240776	BRACE, TOP FRONT
5	8540839	CHANNEL, WATER
6	W10315854	MICROCOMPUTER, MACHINE CONTROL
7	8572039	SEAL, USER INTERFACE
8	W10323099	HARNESS, MAIN WIRING
9	8540282	SCREW
10	W10015090	SCREW, 8-18 X 5/8

WFW9150WW02 DISPENSADOR

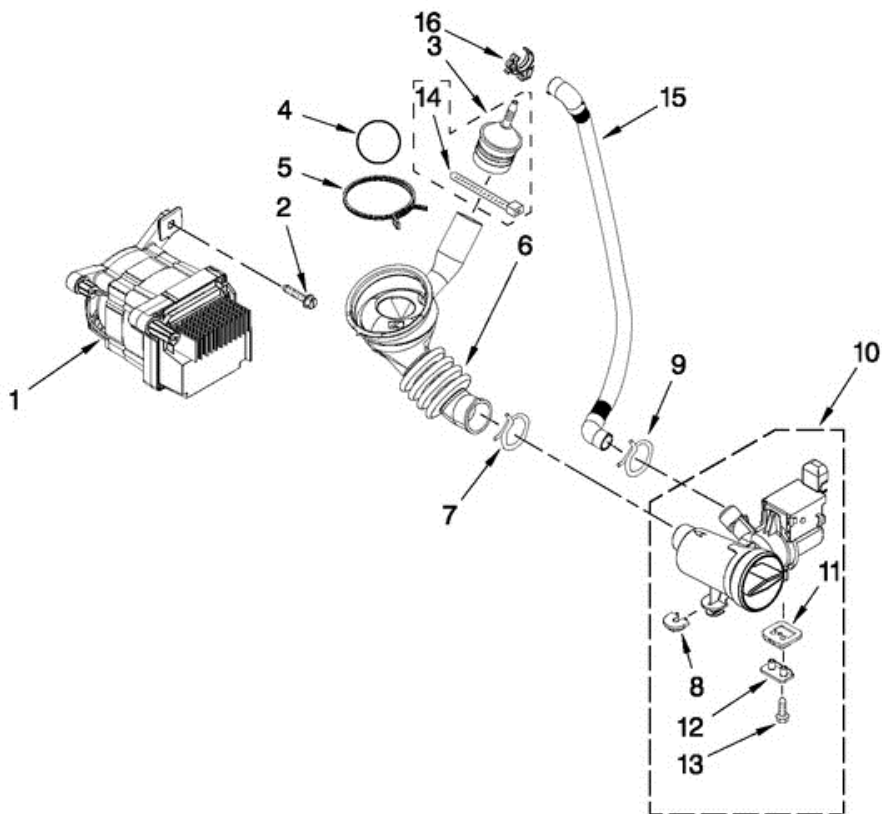




WFW9150WW02 DISPENSADOR

1	W10212596	VALVE, WATER INLET (DOUBLE)
2	W10212598	VALVE, WATER INLET (SINGLE)
3	370450	CLAMP, HOSE
4	8540513	SCREW, VALVE
5	8183181	NOZZLE, INLET
6	W10212611	HOSE, VALVE TO DISPENSER
7	8540402	DRAWER, DETERGENT
8	8540399	COVER, DETERGENT DRAWER
9	W10003170	HOOK, DRAWER
10	8540429	SIPHON, BLEACH/SOFTENER
11	8540063	HOSE, DISPENSER TO TUB
12	8281276	CLAMP, HOSE
13	W10399327	DISPENSER, COMPLETE
14	W10212806	HANDLE, DRAWER
15	W10117943	MEDALLION

WFW9150WW02 MOTOR / BOMBA

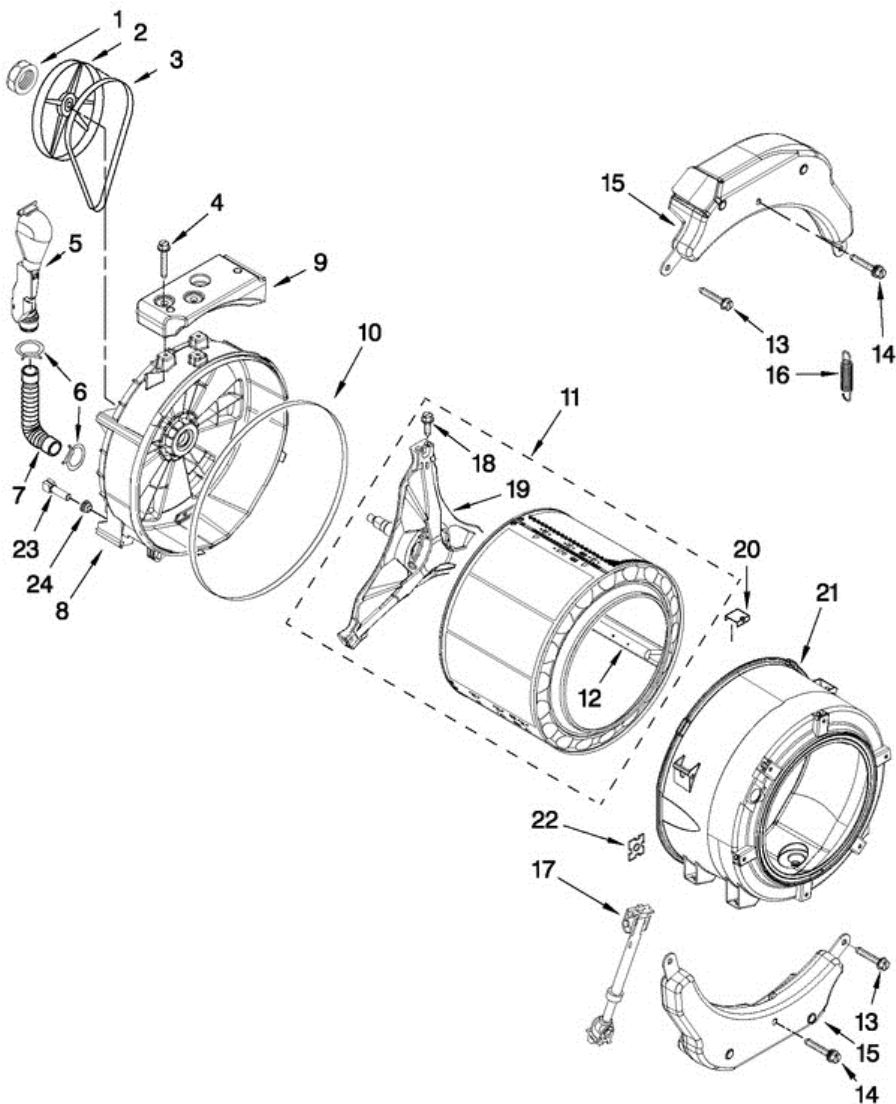




WFW9150WW02 MOTOR / BOMBA

1	W10315848	MOTOR, DRIVE
2	8540134	BOLT, MOTOR
3	W10405608	AIR TRAP
4	8540013	BALL
5	8181734	CLAMP
6	8540012	HOSE, TUB TO PUMP
7	370448	CLAMP
8	W10034820	FOOT, RUBBER (SLIDER)
9	W10245724	CLAMP, DRAIN HOSE
10	W10130913	PUMP (COMPLETE)
11	W10034830	FOOT, RUBBER (LOCK)
12	8540033	CAP, LOCK FOOT
13	8533964	SCREW, 10-16 X 1.25
14	2262071	CABLE TIE
15	W10272563	HOSE, DRAIN- INNER
16	W10003290	RETAINER, DRAIN HOSE

WFW9150WW02 TINA





WFW9150WW02 TINA

1	8533999	NUT, PULLEY
2	8540088C	PULLEY
3	8540101	BELT, DRIVE
4	W10246531	SCREW, REAR COUNTERWEIGHT
5	W10142720	PIPE, VENTILATION
6	8540010	CLAMP, VENT HOSE
7	8540019	HOSE, EXHAUST
8	W10200751	TUB, REAR (INCLUDES ITEMS 10 & 22)
9	W10200747	COUNTERWEIGHT, REAR
10	8540090	GASKET, TUB
11	W10202459	BASKET, COMPLETE
12	8540360	BAFFLE, TUB
13	W10094780	BOLT, FRONT COUNTERWEIGHT
14	W10259288	BOLT ASSEMBLY, COUNTERWEIGHT CENTER HOLE
15	W10223198	COUNTERWEIGHT, FRONT
16	W10010360	SPRING, SUSPENSION (SET OF 2)
17	W10015830	SHOCK ABSORBER
18	8540382	SCREW
19	W10202464	CROSSPIECE ASM
20	8540092	CLAMP, TUB
21	W10289875	TUB, FRONT (INCLUDES ITEMS 10 & 22)
22	8540072	NUT, PUSH-IN
23	W10176659	NEGATIVE THERMISTOR CONTROL
24	8540766	SEAL, RUBBER