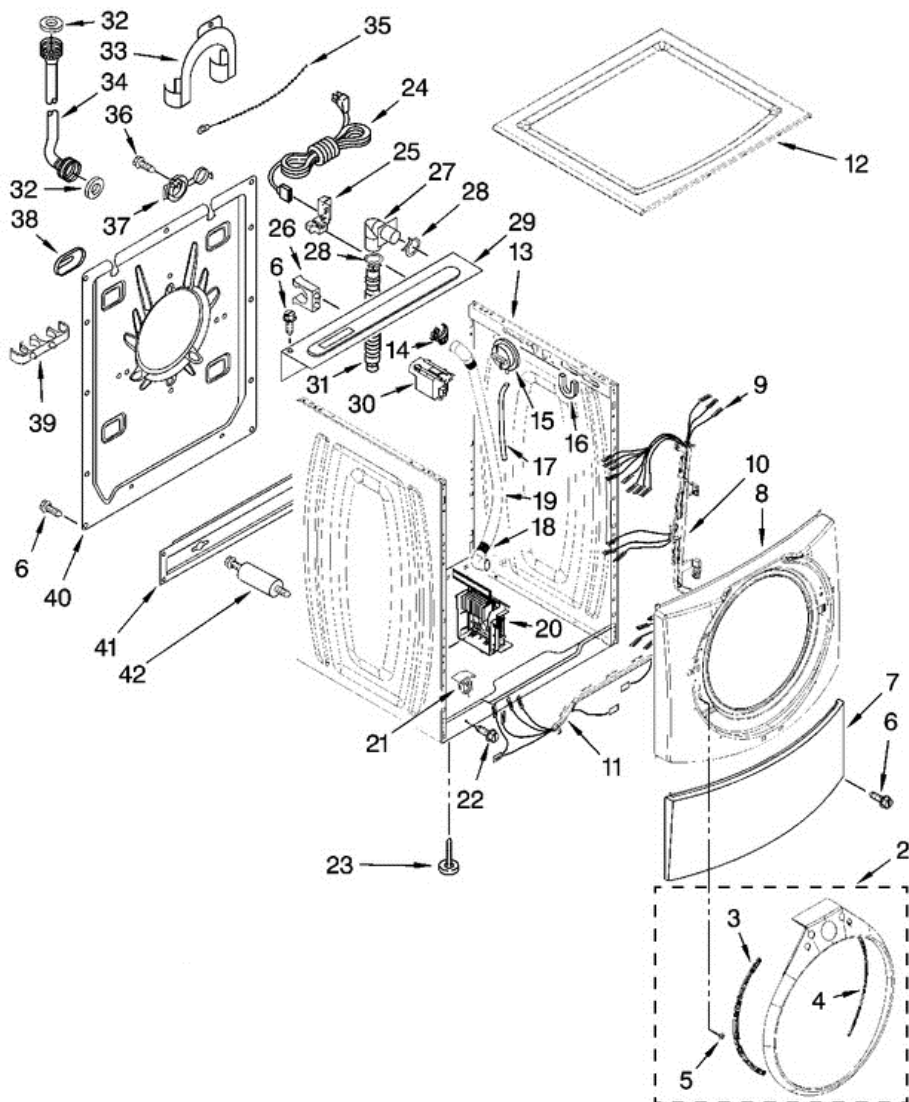


Distribuidor Autorizado

SurteRápido.com

Venta de Refacciones  
Electrodomesticas

## WFW9200SQ10 GABINETE



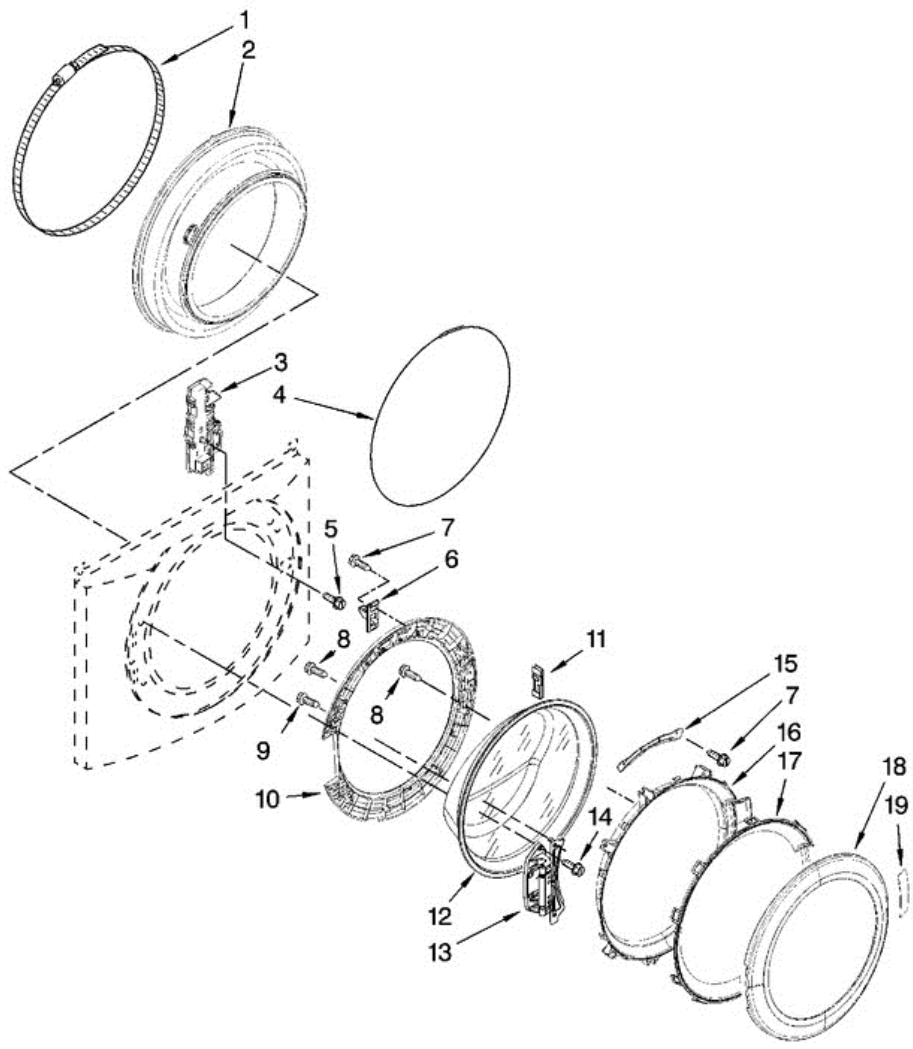


## WFW9200SQ10 GABINETE

2	W10015850	TRIM RING, TEARDROP ASSEMBLY
3	W10015770	BRACKET, TRIM FIXATION (LEFT)
4	W10015780	BRACKET, TRIM FIXATION (RIGHT)
5	W10029650	CLIP, TRIM
6	W10015090	SCREW, 8-18 X 5/8
7	W10003640	TOE PANEL
8	W10015580	PANEL, FRONT
9	W10116562	HARNESS, WIRING (LOWER MAIN)
10	W10003460	CHANNEL, HARNESS (SIDE)
11	W10047920	CHANNEL, HARNESS (BOTTOM)
12	W10003900	TOP
13	W10002880	CABINET
14	W10003290	RETAINER, DRAIN HOSE
15	W10065150	SWITCH, PRESSURE
16	W10008890	BRACKET, SPRING
17	W10004260	HOSE, PRESSURE SWITCH
18	W10003250	HOSE, DRAIN-INNER (INCLUDES ITEM 19)
19	W10004320	SLEEVE, DRAIN HOSE
20	8183196	MOTOR CONTROL UNIT
21	8540210	MICROSWITCH (2)
22	8540479	SCREW, GROUNDING
23	W10064810	FOOT, LEVELING (4)
24	W10110674	CORD, POWER
25	W10110676	STRAIN RELIEF, POWER CORD
26	W10022290	CLIP, OUTER HOSE HOLDER
27	W10003260	CONNECTOR, DRAIN HOSE
28	356138	CLAMP, HOSE
29	W10110677	BRACE, REAR
30	8540230	FILTER, INTERFERENCE
31	W10003280	HOSE, DRAIN (OUTER)
32	16123	WASHER, WATER INLET HOSE (4) (1-1/16 X 5/8)
33	8540021	U-BEND, DRAIN HOSE
34	8571377	HOSE, WATER INLET (BLUE COUPLER)

34	8571378	HOSE, WATER INLET (RED COUPLER)
35	3347868	CABLE TIE
36	8540727	SCREW, 3 X 8 MM
37	8540728	SLEEVE, CORD SUPPORT (2)
38	8540268	COVER, TRANSPORT
39	W10003270	CLIP, OUTER HOSE HOLDER
40	W10003030	PANEL, REAR
41	W10003040	BRACE, TRANSPORT
42	W10003340	BOLT, SHIPPING (UPPER (2))
42	W10003350	BOLT, SHIPPING (LOWER (2))

**WFW9200SQ10 PUERTA**

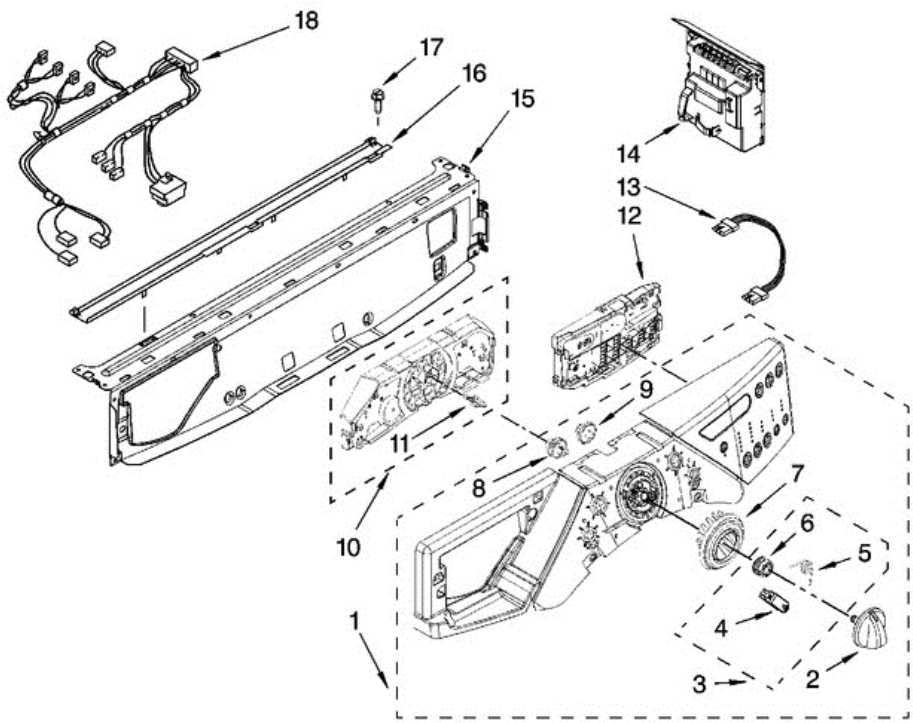




## WFW9200SQ10 PUERTA

1	W10100790	CLAMP, BELLOW TO TUB
2	W10003800	BELLOW
3	8540772	LOCK, DOOR
4	W10003490	CLAMP, BELLOW TO FRONT PANEL
5	8540725	SCREW
6	W10003390	HOOK, DOOR
7	8540513	SCREW
8	8540282	SCREW
9	8540284	SCREW
10	W10003390	FRAME, DOOR BACK SUPPORT
11	W10003430	CLAMP, SUPPORT
12	W10003520	GLASS, DOOR
13	W10005090	HINGE, DOOR
14	W10015090	SCREW
15	W10003440	CLAMP, GLASS (2)
16	W10005220	FRAME, DOOR FRONT SUPPORT
17	W10008990	SCREEN, DOOR
18	W10015680	TRIM RING, OUTER DOOR (INCLUDES ITEM 19)
19	W10121607	PAD, DOOR HANDLE

**WFW9200SQ10 TABLERO**

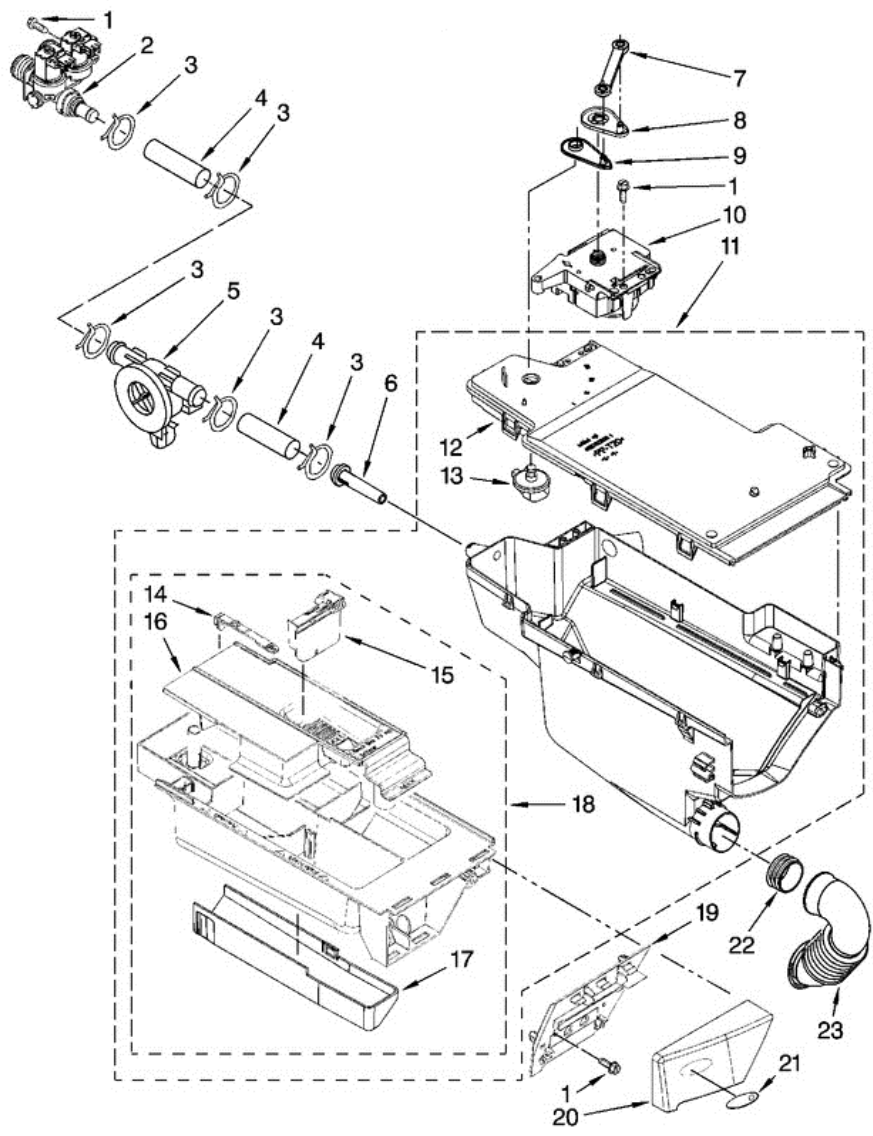




## WFW9200SQ10 TABLERO

1	8183228	PANEL, CONTROL
2	W10131368	KNOB, CONTROL (INCLUDES ITEM 9)
3	W10133927	WHEEL, DETENT KIT (INCLUDES ITEM 9)
4	W10131661	WHEEL, RAST (2) (SERVICE IN KIT ONLY)
5	W10131377	SPRING, KNOB (2) (SERVICE IN KIT ONLY)
6	W10131378	WHEEL, DETENT (SERVICE IN KIT ONLY)
7	W10131376	RING, KNOB LIGHT (INCLUDES ITEM 9)
8	W10131381	WHEEL, ENCODER
9	W10131382	RETAINER, SNAP
10	8183260	USER INTERFACE, CENTER
11	8183177	ADAPTER, ENCODER WHEEL
12	8183261	USER INTERFACE, RIGHT
13	8183254	HARNESS, WIRING (USER INTERFACE)
14	W10015490	MICROCOMPUTER, MACHINE CONTROL
15	W10059240	BRACE, FRONT TOP
16	W10003700	CHANNEL, WATER
17	W10015090	SCREW, 8-18 X 5/8
18	W10003450	HARNESS, WIRING (UPPER MAIN)

**WFW9200SQ10 DESPACHADOR**



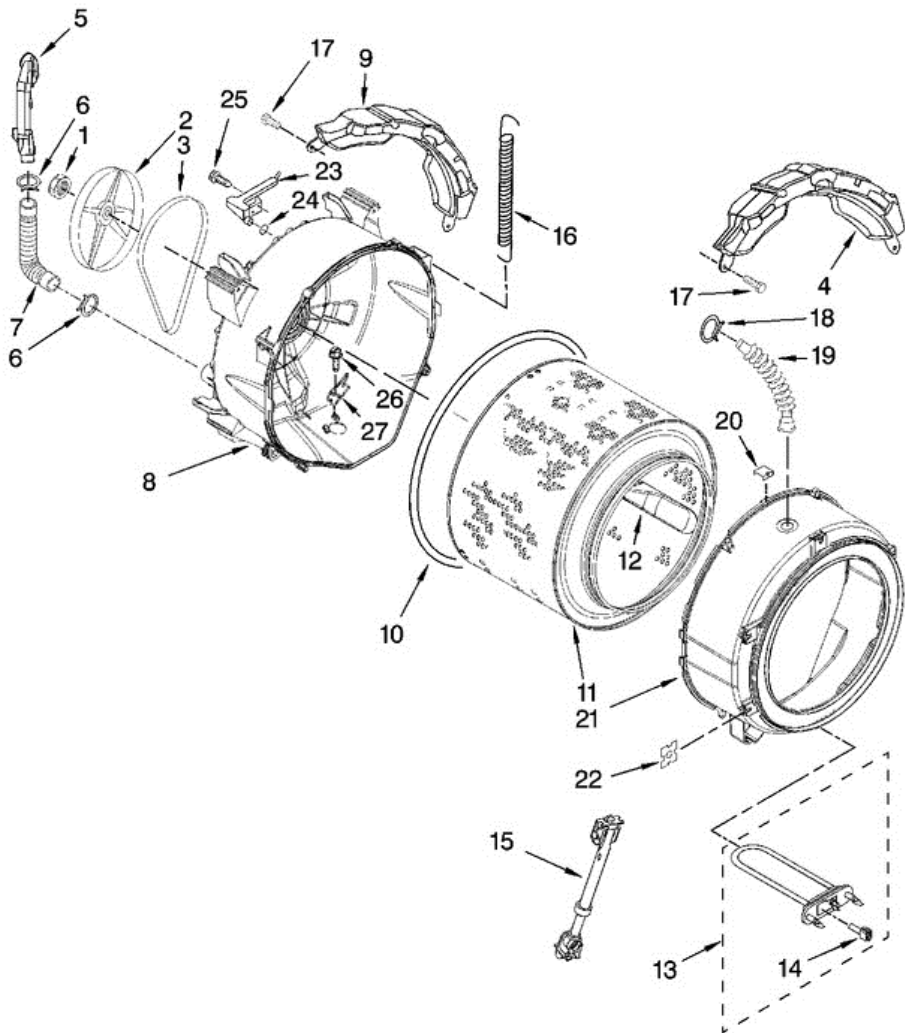




## WFW9200SQ10 DESPACHADOR

1	8540282	SCREW
2	8540751	VALVE, WATER INLET
3	370450	CLAMP, HOSE
4	W10003220	HOSE, FLOWMETER AND VALVE
5	W10110225	FLOWMETER
6	8540042	NOZZLE, INLET
7	W10003830	LEVER, CONNECTION
8	W10003190	CAM, ACTUATOR
9	W10003180	LEVER, WATER DISTRIBUTION
10	W10065190	ACTUATOR
11	W10074160	DISPENSER, COMPLETE (INCLUDES ITEM 9)
12	W10005080	PLATE, DISTRIBUTION
13	W10003110	NOZZLE, DISTRIBUTION
14	W10003170	HOOK, DRAWER
15	W10015200	SEPARATOR, WITH SELECTION SLIDER
16	W10003150	SYPHON, BLEACH/SOFTENER
17	W10003140	COVER, DETERGENT DRAWER
18	W10015190	DRAWER, DETERGENT (COMPLETE)
19	8183238	BRACKET, HANDLE FIXATION
20	8183234	HANDLE, DRAWER (INCLUDES ITEMS 19 & 21)
21	8183253	MEDALLION
22	W10003360	SEAL
23	W10005300	TUBE, DISPENSER TO BELLOW

**WFW9200SQ10 TINA**

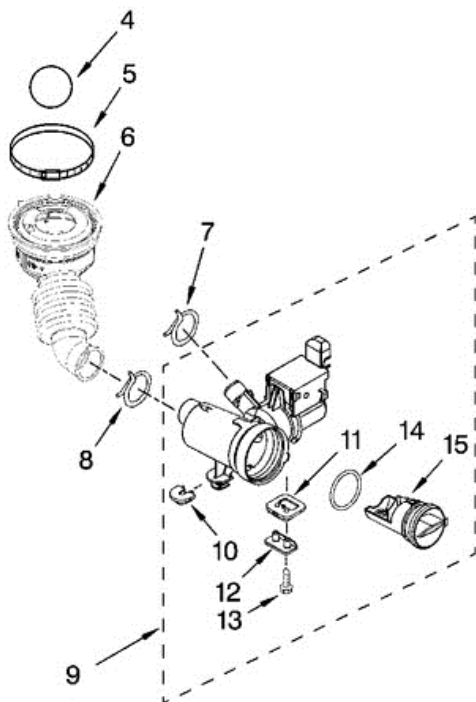
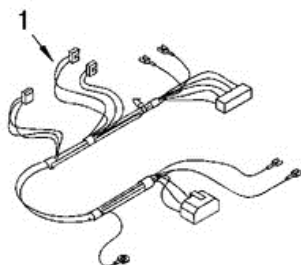
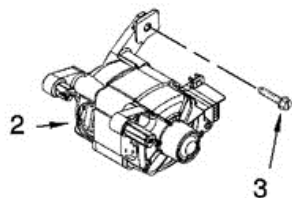




## WFW9200SQ10 TINA

1	8533999	NUT, PULLEY
2	W10003730	PULLEY
3	W10116915	BELT, DRIVE
4	W10008880	COUNTERWEIGHT, FRONT (2)
5	W10003500	PIPE, VENTILATION
6	8540010	CLAMP, VENT HOSE
7	W10004330	HOSE, EXHAUST
8	W10004170	TUB, REAR (INCLUDES ITEMS 10, 22, 26 & 27)
9	W10008870	COUNTERWEIGHT, REAR
10	W10036350	GASKET, TUB
11	W10040480	BASKET, COMPLETE
12	W10002770	BAFFLE, TUB
13	8540323	ELEMENT, HEATING
14	8540226	NEGATIVE THERMISTOR CONTROL
15	W10015830	SHOCK ABSORBER
16	W10127411	SPRING, SUSPENSION (SET OF 2)
17	W10094780	BOLT, COUNTERWEIGHT MTG.
18	3363365	CLAMP, HOSE
19	8540015	HOSE, EXHAUST
20	8540092	CLAMP, TUB
21	W10004180	TUB, FRONT (INCLUDES ITEMS 10 & 22)
22	8540072	NUT, PUSH-IN
23	W10003600	AIR TRAP
24	W10004270	O-RING, AIR TRAP
25	8540513	SCREW
26	8540880	SCREW
27	W10015240	BRACKET, HEATING ELEMENT

WFW9200SQ10 MOTOR / BOMBA





**WFW9200SQ10 MOTOR / BOMBA**

1	W10116561	HARNESS, MOTOR
2	W10004230	MOTOR, DRIVE
3	8540134	BOLT, MOTOR
4	W10003330	BALL
5	8540008	CLAMP
6	W10003240	HOSE, TUB TO PUMP
7	356138	CLAMP, DRAIN HOSE
8	370448	CLAMP, HOSE
9	W10117829	PUMP (COMPLETE)
10	W10034820	FOOT, RUBBER (SLIDER)
11	W10034830	FOOT, RUBBER (LOCK)
12	8540033	CAP, LOCK FOOT
13	8533964	SCREW, 10-16 X 1.25 (2)
14	8540025	SEAL, FILTER CAP
15	8540996	FILTER ASSEMBLY (INCLUDES ITEM 14)