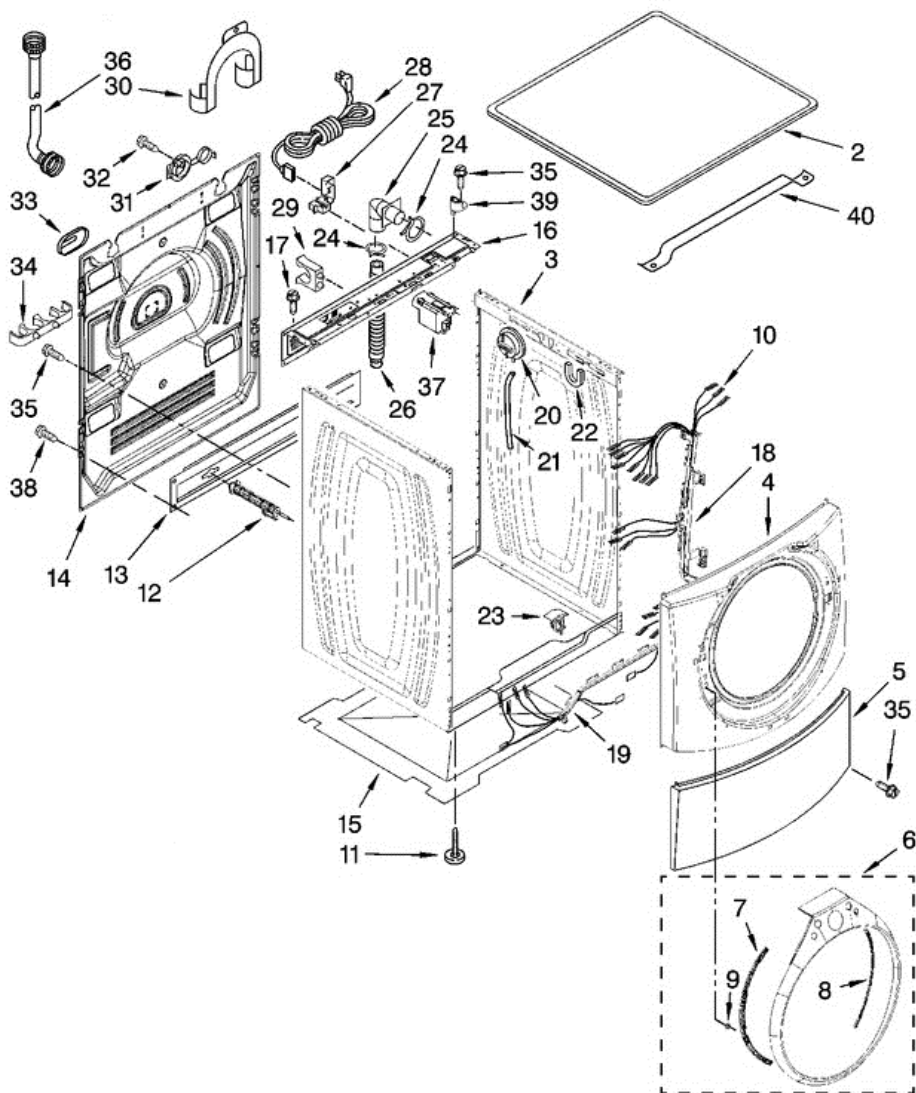


Distribuidor Autorizado

SurteRápido.com

Venta de Refacciones
Electrodomesticas

WFW9400SU02 GABINETE



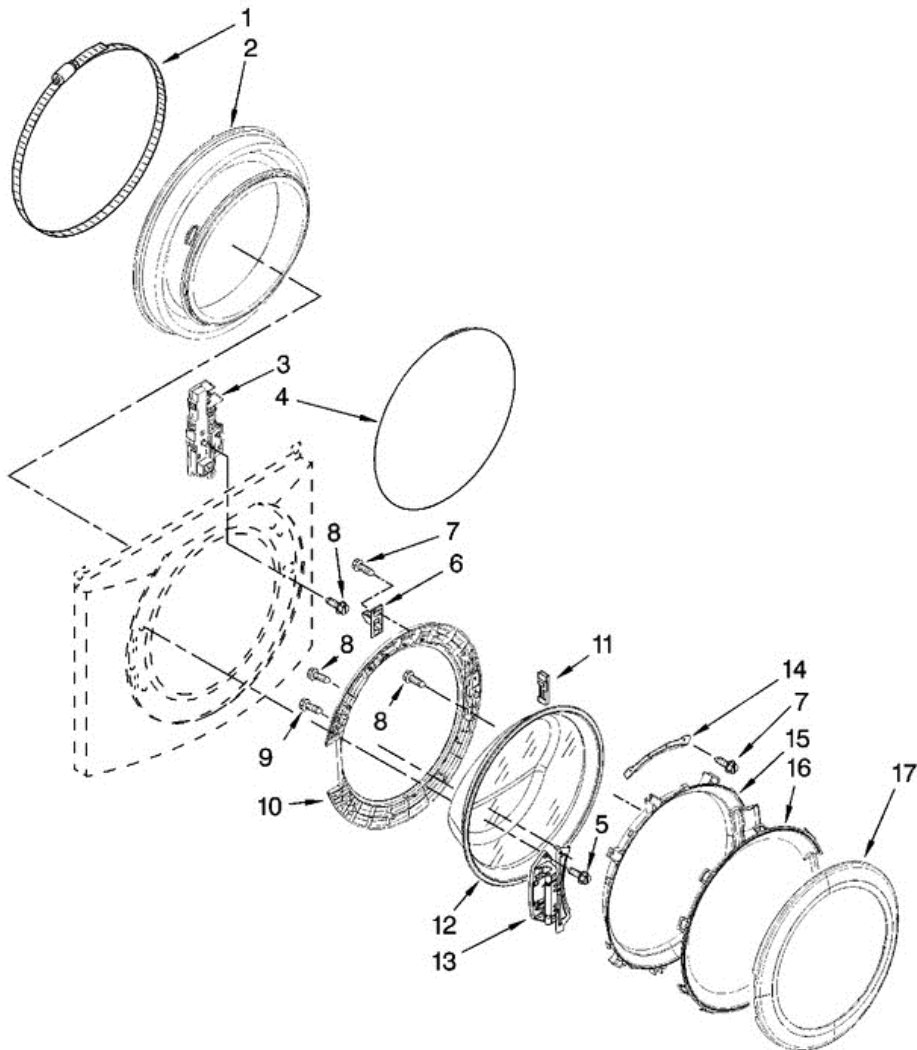


WFW9400SU02 GABINETE

2	8181799	TOP (WHITE)
2	8181800	TOP (BISCUIT)
2	8183061	TOP (BLACK)
2	W10121849	TOP (ULTIMATE SILVER)
3	W10250656	CABINET (WHITE)
3	W10253664	CABINET (ULTIMATE SILVER)
3	W10253665	CABINET (BLACK)
3	W10253666	CABINET (BISCUIT)
4	8183151	PANEL, FRONT (WHITE)
4	8183215	PANEL, FRONT (BLACK)
4	8183216	PANEL, FRONT (BISCUIT)
4	8183217	PANEL, FRONT (ULTIMATE SILVER)
5	8181643	TOE PANEL (WHITE)
5	8181809	TOE PANEL (BISCUIT)
5	8183055	TOE PANEL (ULTIMATE SILVER)
5	8183063	TOE PANEL (BLACK)
6	8183223	TRIM RING, TEARDROP ASSEMBLY (WHITE)
6	8183224	TRIM RING, TEARDROP ASSEMBLY (BISCUIT)
6	8183225	TRIM RING, TEARDROP ASSEMBLY (BLACK)
6	8183226	TRIM RING, TEARDROP ASSEMBLY (BLUE)
6	8183227	TRIM RING, TEARDROP ASS. (ULTIMATE SILVER)
7	8183208	BRACKET, TRIM FIXATION (LEFT)
8	8183209	BRACKET, TRIM FIXATION (RIGHT)
9	8183210	CLIP, TRIM
10	8183189	HARNES, WIRING (LOWER MAIN) (INCLUDES 18 & 19)
11	8181636	FOOT, LEVELING
12	8182797	BOLT, SHIPPING (UPPER)
12	8182798	BOLT, SHIPPING (LOWER)
13	8182661	BRACE, TRANSPORT
14	W10242507	PANEL, REAR
15	8181635	PAN, BOTTOM
16	W10250578	BRACE, REAR
17	8181756	SCREW

18	W10121609	CHANNEL, HARNESS (SIDE)
19	W10121610	CHANNEL, HARNESS (BOTTOM)
20	8181695	SWITCH, PRESSURE
21	8181739	HOSE, PRESSURE
22	8181763	BRACKET, SPRING
23	W10189678	MICROSWITCH (2)
24	8181752	CLAMP, HOSE
25	8181738	CONNECTOR, DRAIN HOSE
26	8181737	HOSE, DRAIN (OUTER)
27	8181690	STRAIN RELIEF
28	8183009	CORD, POWER
29	8182702	CLIP, OUTER HOSE HOLDER
30	8181768	STORAGE, HOSE
31	8182699	SLEEVE, CORD SUPPORT (2)
32	8182201	SCREW, 3 X 8 MM
33	8182700	COVER, TRANSPORT
34	8182701	CLIP, OUTER HOSE HOLDER
35	8181828	SCREW
36	8182792	HOSE, WATER INLET (RED COUPLER)
36	8182795	HOSE, WATER INLET (BLUE COUPLER)
37	8183019	FILTER, INTERFERENCE
38	W10157885	SCREW, 4.2 X 14
39	W10138249	SPACER, TOP (2)
40	8181632	BRACE, TOP

WFW9400SU02 PUERTA

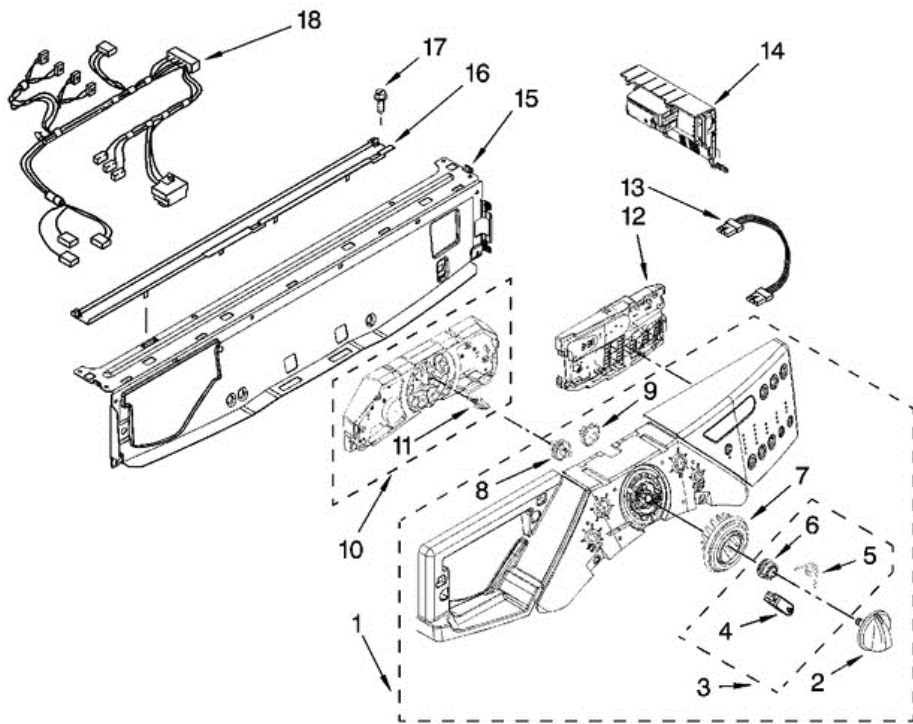




WFW9400SU02 PUERTA

1	8182210	CLAMP, BELLOW TO TUB
2	8182119	BELLOW
3	8183270	LOCK, DOOR
4	8182211	CLAMP, BELLOW TO FRONT PANEL
5	8181760	SCREW
6	8183198	HOOK, DOOR
7	8181758	SCREW
8	8181661	SCREW
9	8181660	SCREW
10	8183195	FRAME, DOOR BACK SUPPORT
11	8181659	CLAMP, GLASS SUPPORT
12	8181655	GLASS, DOOR
13	8183202	HINGE, DOOR
14	8183199	CLAMP, GLASS (2)
15	8183256	FRAME, DOOR FRONT SUPPORT
16	8183255	SCREEN, DOOR
17	W10189784	TRIM RING, OUTER DOOR (CHROME)
17	W10189786	TRIM RING, OUTER DOOR (GOLD)
17	W10189787	TRIM RING, OUTER DOOR (BLUE)

WFW9400SU02 TABLERO

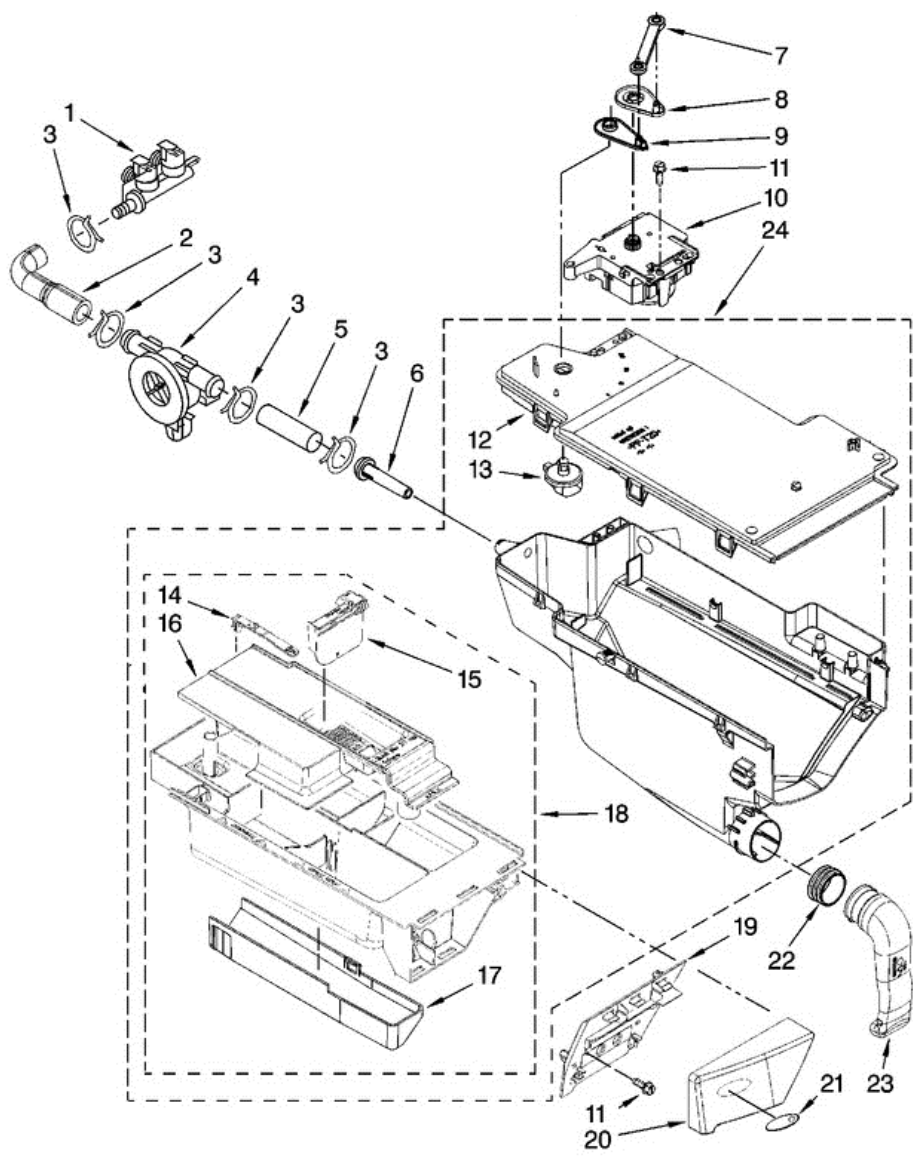




WFW9400SU02 TABLERO

1	8183229	PANEL, CONTROL (WHITE)
1	8183230	PANEL, CONTROL (BLACK)
1	8183231	PANEL, CONTROL (BISCUIT)
1	8183232	PANEL, CONTROL (WHITE/BLUE)
1	8183233	PANEL, CONTROL (ULTIMATE SILVER)
2	W10131369	KNOB, CONTROL (INCLUDES ITEM 9) (WHITE)
2	W10131370	KNOB, CONTROL (INCLUDES ITEM 9) (BLACK)
2	W10131371	KNOB, CONTROL (INCLUDES 9) (ULTIMATE SILVER)
2	W10131372	KNOB, CONTROL (INCLUDES ITEM 9) (BISCUIT)
2	W10131373	KNOB, CONTROL (INCLUDES ITEM 9) (BLUE)
3	W10133927	WHEEL, DETENT KIT (INCLUDES ITEM 9)
4	W10131661	WHEEL, RAST (2) (SERVICE IN KIT ONLY)
5	W10131377	SPRING, KNOB (2) (SERVICE IN KIT ONLY)
6	W10131378	WHEEL, DETENT (SERVICE IN KIT ONLY)
7	W10131376	RING, KNOB LIGHT (INCLUDES ITEM 9)
8	W10131381	WHEEL, ENCODER
9	W10131382	RETAINER, SNAP
10	W10164402	USER INTERFACE, CENTER
11	8183177	ADAPTER, ENCODER WHEEL
12	W10191964	USER INTERFACE, RIGHT
13	W10168511	HARNESS, WIRING (USER INTERFACE)
14	8183259	MICROCOMPUTER, MACHINE CONTROL
15	8183203	BRACE, FRONT TOP
16	8183204	CHANNEL, WATER
17	8181756	SCREW
18	8183266	HARNESS, WIRING (UPPER MAIN)

WFW9400SU02 DEPOSITO DETERGENTE

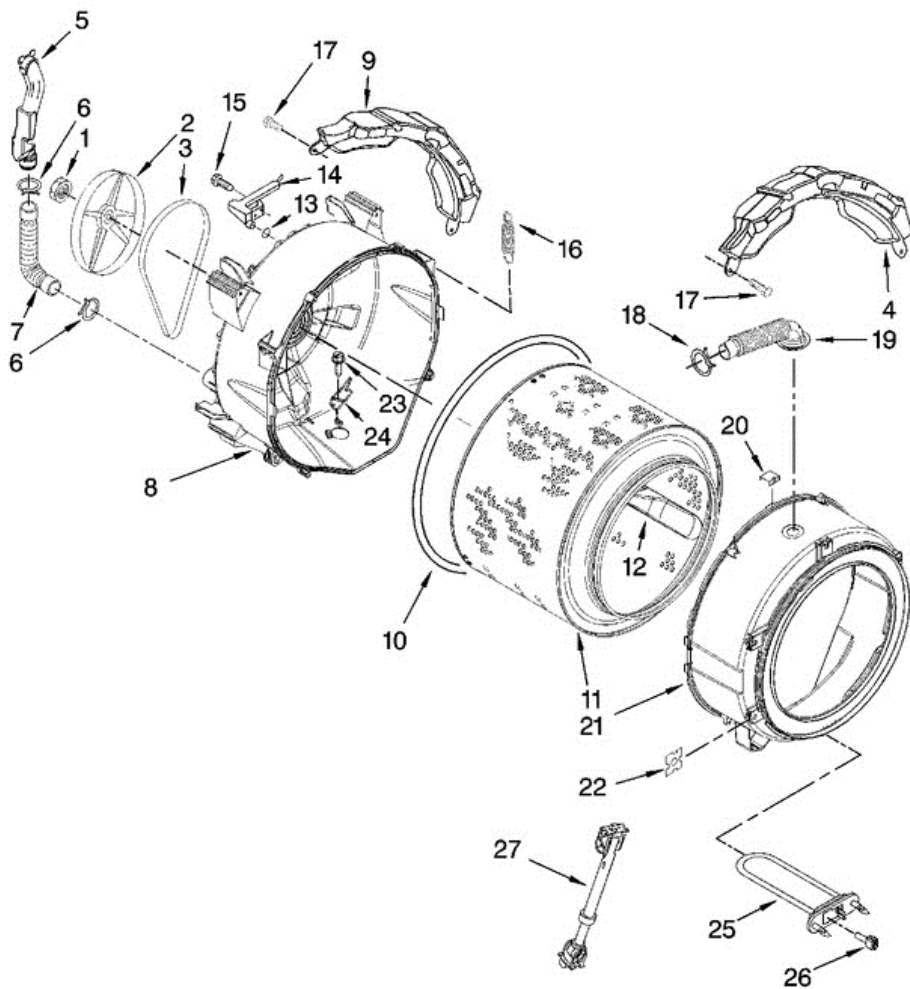




WFW9400SU02 DEPOSITO DETERGENTE

1	8182862	VALVE, INLET
2	8183182	HOSE, FLOWMETER (L-SHAPED)
3	8181751	CLAMP
4	8181696	FLOWMETER
5	8183180	HOSE, NOZZLE INLET
6	8183181	NOZZLE, INLET
7	8183183	LEVER, WATER DISTRIBUTION
8	8183184	CAM, ACTUATOR
9	W10161052	LEVER, CONNECTION
10	8183186	ACTUATOR
11	8181661	SCREW
12	W10164400	PLATE, DISTRIBUTION
13	8181712	NOZZLE, DISTRIBUTION
14	8181721	HOOK, DRAWER
15	W10121596	SEPARATOR, WITH SELECTION SLIDER
16	W10121861	SYPHON, BLEACH/SOFTENER
17	8183179	COVER, DETERGENT DRAWER
18	8183174	DRAWER, DETERGENT (COMPLETE)
19	W10156617	BRACKET, HANDLE FIXATION
20	8183234	HANDLE, DRAWER (INCLUDES ITEMS 19 & 21) (WHITE)
20	8183235	HANDLE, DRAWER (INCLUDES ITEMS 19 & 21) (BLACK)
20	8183236	HANDLE, DRAWER (INCLUDES 19 & 21) (BISCUIT)
20	8183237	HANDLE, DRAWER (INCL. 19 & 21) (ULTIMATE SILVER)
21	8183253	MEDALLION
22	8181747	SEAL
23	8181718	TUBE, DISPENSER TO BELLOW
24	W10169232	DISPENSER, COMPLETE (INCLUDES ITEM 9)

WFW9400SU02 TINA

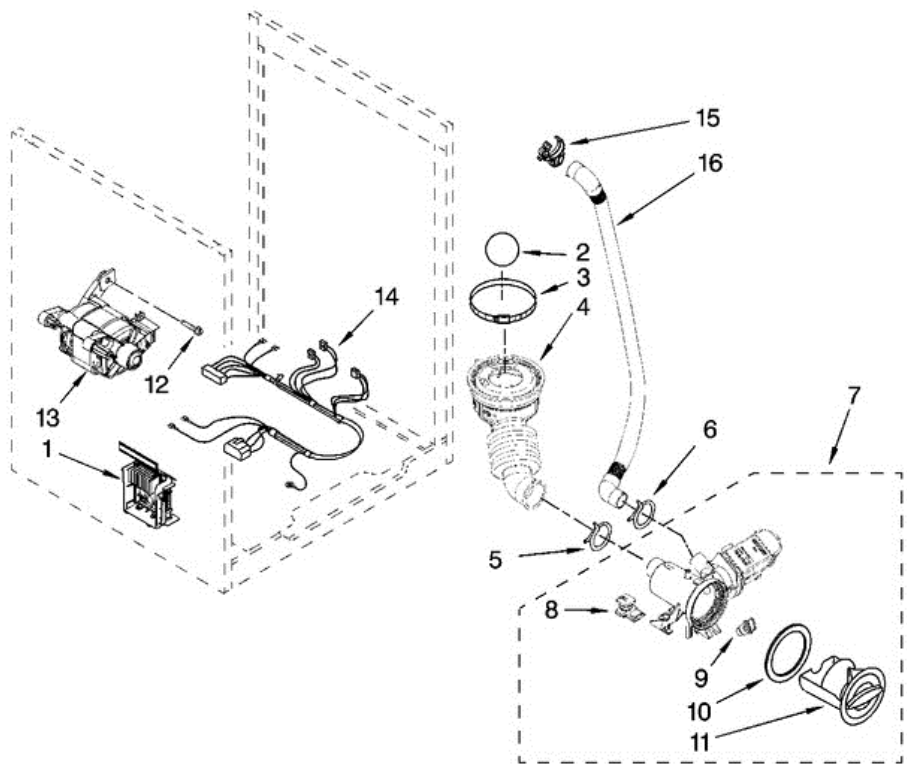




WFW9400SU02 TINA

1	8181672	NUT, PULLEY
2	8182650	PULLEY
3	8181670	BELT
4	8181645	COUNTERWEIGHT, FRONT (2)
5	W10253670	PIPE, VENTILATION
6	W10208156	CLAMP
7	8181743	HOSE, EXHAUST
8	W10253856	TUB, REAR (INCLUDES ITEMS 10, 22, 23 & 24)
9	8181644	COUNTERWEIGHT, REAR
10	8181673	GASKET, TUB
11	W10250648	BASKET
12	W10250572	BAFFLE, TUB
13	W10250553	O-RING
14	8181731	AIRTRAP
15	8181785	SCREW
16	8182814	SPRING, SUSPENSION
17	8181647	BOLT
18	8181742	CLAMP, HOSE
19	8183187	HOSE, EXHAUST
20	8181667	CLAMP, TUB
21	8182312	TUB, FRONT (INCLUDES ITEMS 10 & 22)
22	8182512	NUT, PUSH-IN
23	8182214	SCREW
24	W10250558	BRACKET, HEATER SUPPORT
25	8182666	ELEMENT, HEATING
26	8181705	NTC
27	8182812	SHOCK ABSORBER (4)

WFW9400SU02 MOTOR / BOMBA





WFW9400SU02 MOTOR / BOMBA

1	8183196	MOTOR CONTROL UNIT
2	W10121657	BALL
3	8181734	CLAMP
4	8181732	HOSE, TUB TO PUMP
5	8181753	CLAMP
6	8181752	CLAMP
7	8182821	PUMP (COMPLETE)
8	8182820	GROMMET, DAMPER (REAR)
9	8182816	GROMMET, DAMPER (FRONT)
10	8181736	SEAL, FILTER CAP
11	8183027	CAP, FILTER (INCLUDES ITEM 10)
12	W10128585	BOLT, MOTOR
13	8182793	MOTOR
14	W10189680	HARNESS, MOTOR
15	8182209	RETAINER, DRAIN HOSE
16	8181740	DRAIN HOSE (INNER)