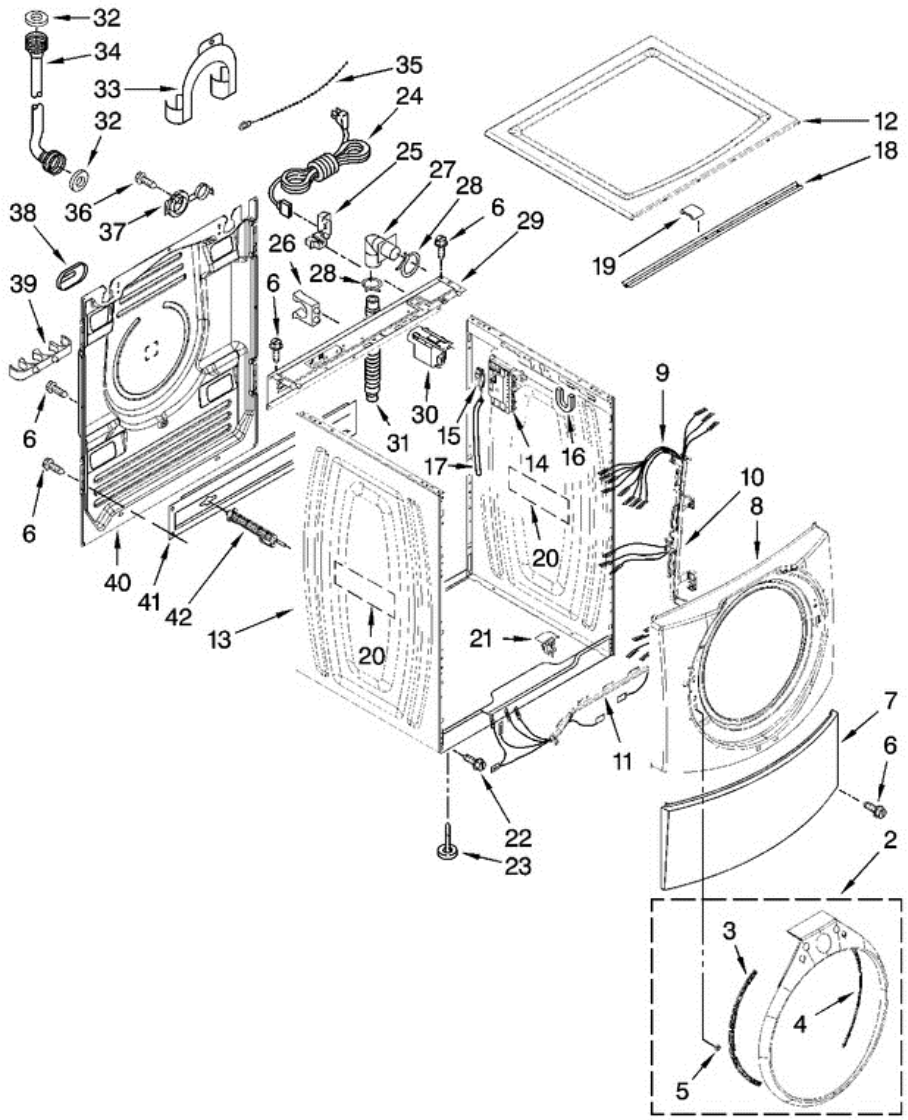


WFW9700VW00 GABINETE



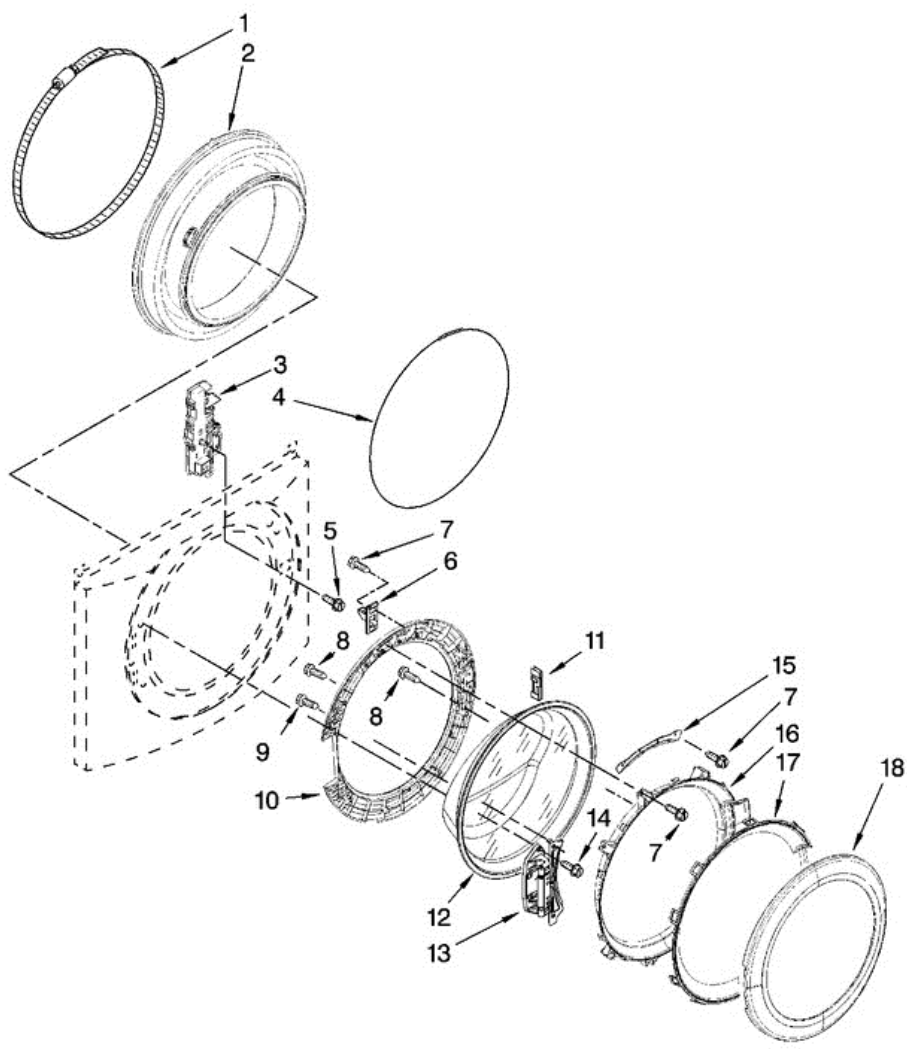


WFW9700VW00 GABINETE

2	W10176940	TRIM RING, TEARDROP ASSEMBLY (WHITE)
2	W10176942	TRIM RING, TEARDROP ASSEMBLY (ASPEN)
3	W10015770	BRACKET, TRIM FIXATION (LEFT)
4	W10015780	BRACKET, TRIM FIXATION (RIGHT)
5	W10029650	CLIP, TRIM
6	W10015090	SCREW, 8-18 X 5/8
7	W10003640	TOE PANEL (WHITE)
7	W10176923	TOE PANEL (ASPEN)
8	W10015580	PANEL, FRONT (WHITE)
8	W10176915	PANEL, FRONT (ASPEN)
9	W10167287	HARNESS, WIRING (LOWER MAIN) (INCLUDES 10 & 11)
10	W10003460	CHANNEL, HARNESS (SIDE)
11	W10131757	CHANNEL, HARNESS (BOTTOM)
12	W10003900	TOP (WHITE)
12	W10176930	TOP (ASPEN)
13	W10171708	CABINET (WHITE)
13	W10176852	CABINET (ASPEN)
14	W10156258	CONTROL BOARD, EXPANSION
15	W10249845	SWITCH, ANALOG PRESSURE SENSOR
16	W10008890	BRACKET, SPRING
17	W10004260	HOSE, PRESSURE SWITCH
18	8540720	BRACE, TOP (INCLUDES ITEM 19)
19	8283273	DAMPER, BRACE
20	3976348	ABSORBER, SOUND
21	W10085220	MICROSWITCH (2)
22	8540479	SCREW, GROUNDING
23	W10064810	FOOT, LEVELING (4)
24	W10110674	CORD, POWER
25	W10110676	STRAIN RELIEF, POWER CORD
26	W10022290	CLIP, OUTER HOSE HOLDER
27	W10003260	CONNECTOR, DRAIN HOSE
28	356138	CLAMP, HOSE
29	W10110677	BRACE, REAR

30	8540230	FILTER, INTERFERENCE
31	W10003280	HOSE, DRAIN (OUTER)
32	16123	WASHER, WATER INLET HOSE (4) (1-1/16 X 5/8)
33	8540021	U-BEND, DRAIN HOSE
34	8571377	HOSE, WATER INLET (BLUE COUPLER)
34	8571378	HOSE, WATER INLET (RED COUPLER)
35	3347868	CABLE TIE
36	8540727	SCREW, 3 X 8 MM
37	8540728	SLEEVE, CORD SUPPORT (2)
38	8540268	COVER, TRANSPORT
39	W10003270	CLIP, OUTER HOSE HOLDER
40	W10003030	PANEL, REAR
41	W10003040	BRACE, TRANSPORT (LOWER)
41	W10165710	BRACE, TRANSPORT (UPPER)
42	W10190006	BOLT, SHIPPING (UPPER (2))
42	W10190007	BOLT, SHIPPING (LOWER (2))

WFW9700VW00 PUERTA

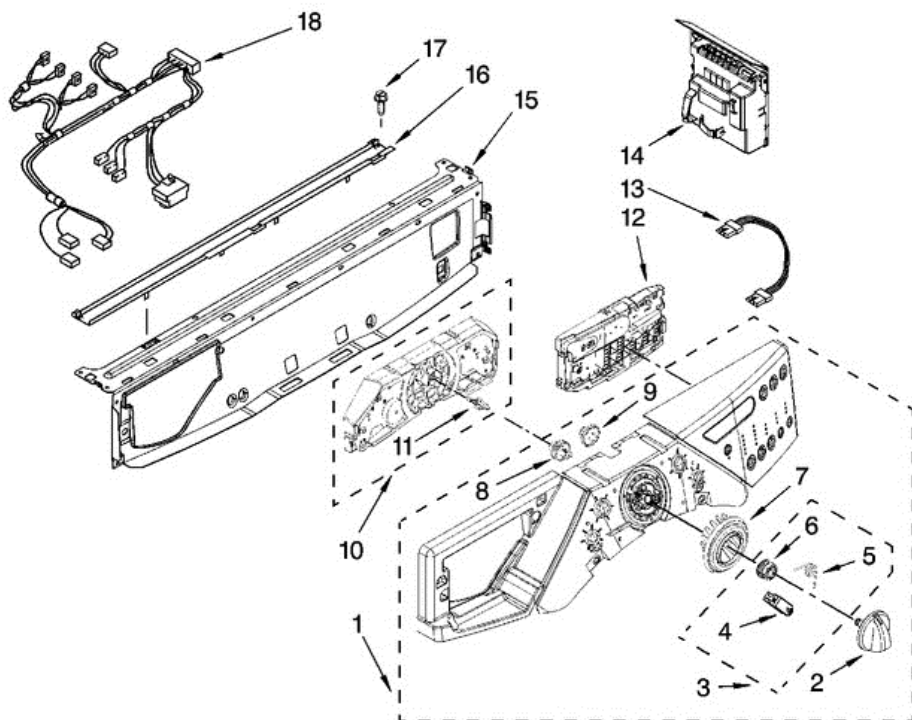




WFW9700VW00 PUERTA

1	8182210	CLAMP, BELLOW TO TUB
2	W10003800	BELLOW
3	8540772	LOCK, DOOR
4	W10003490	CLAMP, BELLOW TO FRONT PANEL
5	8540725	SCREW
6	W10003390	HOOK, DOOR
7	8540513	SCREW
8	8540282	SCREW
9	8540284	SCREW
10	W10003370	FRAME, DOOR BACK SUPPORT
11	W10003430	CLAMP, SUPPORT
12	W10003520	GLASS, DOOR
13	W10005090	HINGE, DOOR
14	W10015090	SCREW
15	W10003440	CLAMP, GLASS (2)
16	W10005220	FRAME, DOOR FRONT SUPPORT
17	W10008990	SCREEN, DOOR
18	W10069120	TRIM RING, OUTER DOOR

WFW9700VW00 TABLERO





WFW9700VW00 TABLERO

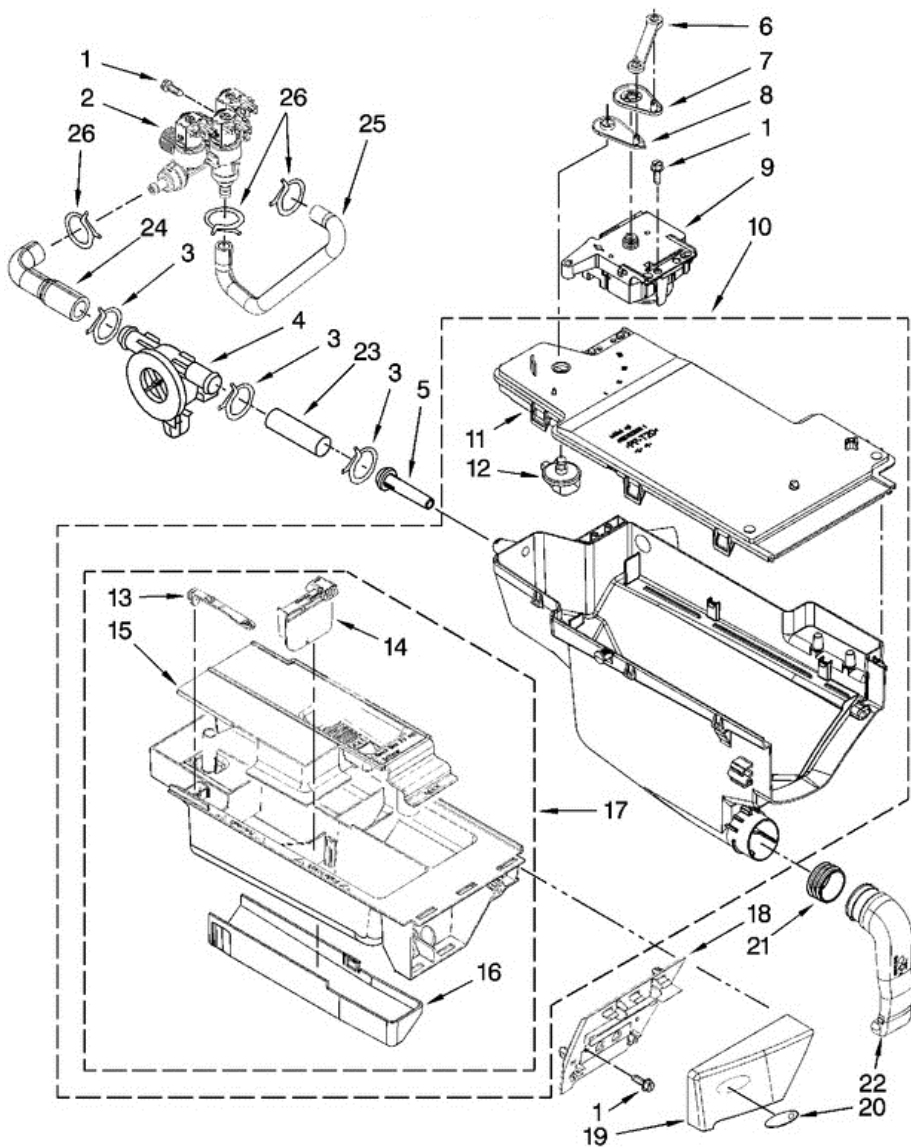
1	W10157776	PANEL, CONTROL (WHITE)
1	W10157801	PANEL, CONTROL (ASPEN)
2	W10131369	KNOB, CONTROL (INCLUDES ITEM 9) (WHITE)
2	W10166961	KNOB, CONTROL (INCLUDES ITEM 9) (ASPEN)
3	W10133927	WHEEL, DETENT KIT (INCLUDES ITEM 9)
4	W10131661	WHEEL, RAST (2) (SERVICE IN KIT ONLY)
5	W10131377	SPRING, KNOB (2) (SERVICE IN KIT ONLY)
6	W10131378	WHEEL, DETENT (SERVICE IN KIT ONLY)
7	W10131376	RING, KNOB LIGHT (INCLUDES ITEM 9)
8	W10131381	WHEEL, ENCODER
9	W10131382	RETAINER, SNAP
10	W10164402	USER INTERFACE, CENTER
11	8183177	ADAPTER, ENCODER WHEEL
12	W10157890	USER INTERFACE, RIGHT
13	W10157884	HARNESS, WIRING (USER INTERFACE)
14	W10175772	MICROCOMPUTER, MACHINE CONTROL
15	W10059240	BRACE, FRONT TOP
16	W10003700	CHANNEL, WATER
17	W10015090	SCREW, 8-18 X 5/8
18	W10167278	HARNESS, WIRING (UPPER MAIN)

Distribuidor Autorizado

SurteRápido.com

Venta de Refacciones
Electrodomesticas

WFW9700VW00 DISPENSADOR

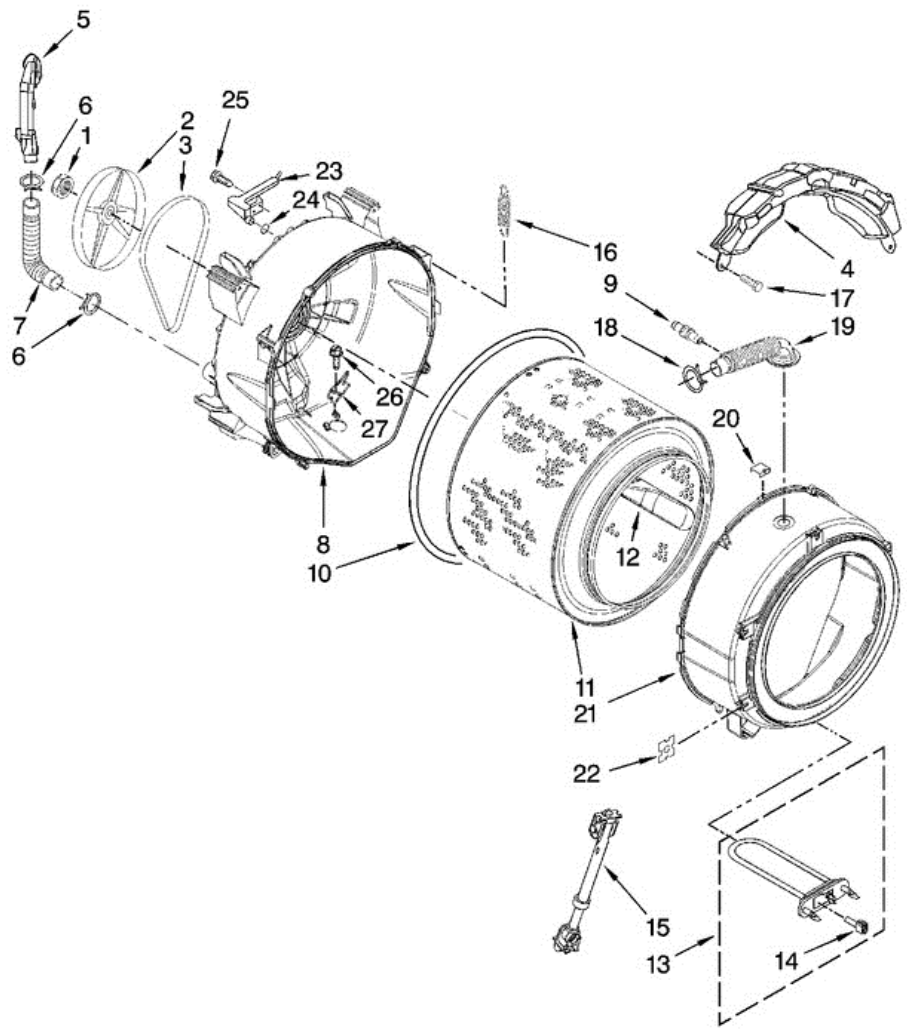




WFW9700VW00 DISPENSADOR

1	8540282	SCREW
2	W10156253	VALVE, WATER INLET
3	370450	CLAMP, HOSE
4	W10110225	FLOWMETER
5	8540042	NOZZLE, INLET
6	W10003830	LEVER, CONNECTION
7	W10003190	CAM, ACTUATOR
8	W10161052	LEVER, WATER DISTRIBUTION
9	W10163975	ACTUATOR
10	W10157759	DISPENSER, COMPLETE (INCLUDES ITEM 8)
11	W10005080	PLATE, DISTRIBUTION
12	W10003110	NOZZLE, DISTRIBUTION
13	W10003170	HOOK, DRAWER
14	W10121596	SEPARATOR, WITH SELECTION SLIDER
15	W10157775	SYPHON, BLEACH/SOFTENER
16	W10003140	COVER, DETERGENT DRAWER
17	W10157760	DRAWER, DETERGENT (COMPLETE)
18	W10156617	BRACKET, HANDLE FIXATION
19	W10156618	HANDLE, DRAWER (INCLUDES ITEMS 18 & 20) (WHITE)
19	W10156621	HANDLE, DRAWER (INCLUDES 18 & 20) (ASPEN)
20	8183253	MEDALLION
21	W10003360	SEAL
22	W10005300	TUBE, DISPENSER TO BELLOW
23	8183180	HOSE, INLET NOZZLE
24	8183182	HOSE, FLOWMETER (L-SHAPED)
25	W10156131	HOSE, INLET VALVE TO STEAMER SIPHON
26	8181754	CLAMP, HOSE

WFW9700VW00 TINA

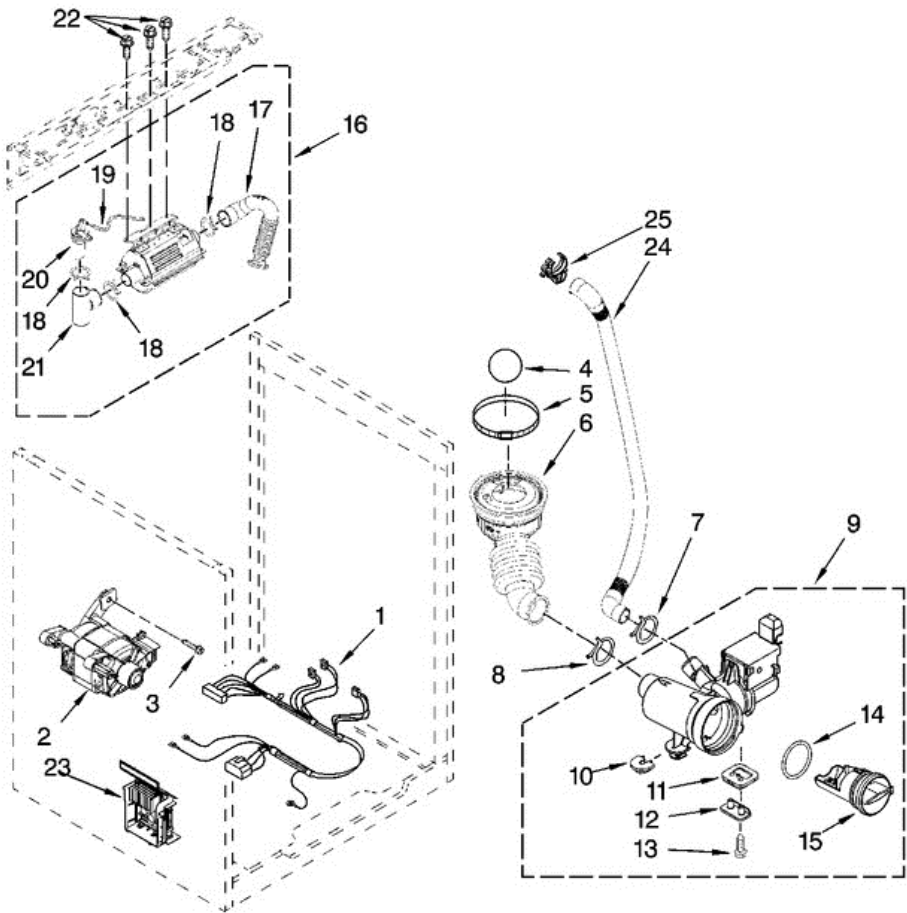




WFW9700VW00 TINA

1	8533999	NUT, PULLEY
2	W10003730	PULLEY
3	W10116915	BELT, DRIVE
4	W10163424	COUNTERWEIGHT, FRONT (2)
5	W10112169	PIPE, VENTILATION
6	8540010	CLAMP, VENT HOSE
7	W10004330	HOSE, EXHAUST
8	W10234653	TUB, REAR (INCLUDES ITEMS 10, 22, 26 & 27)
9	W10156249	CONNECTOR, OVERFLOW HOSE
10	W10036350	GASKET, TUB
11	W10159904	BASKET, COMPLETE
12	W10110114	BAFFLE, TUB
13	W10155115	ELEMENT, HEATING
14	8540226	NEGATIVE THERMISTOR CONTROL
15	W10015830	SHOCK ABSORBER
16	W10207549	SPRING, SUSPENSION (SET OF 2)
17	W10094780	BOLT, COUNTERWEIGHT MTG.
18	3363365	CLAMP, HOSE
19	W10156130	HOSE, EXHAUST
20	8540092	CLAMP, TUB
21	W10004180	TUB, FRONT (INCLUDES ITEMS 10 & 22)
22	8540072	NUT, PUSH-IN
23	W10003600	AIR TRAP
24	W10004270	O-RING, AIR TRAP
25	8540513	SCREW
26	8540880	SCREW
27	W10015240	BRACKET, HEATING ELEMENT

WFW9700VW00 MOTOR / BOMBA





WFW9700VW00 MOTOR / BOMBA

1	W10004420	HARNESS, MOTOR
2	W10140583	MOTOR, DRIVE
3	8540134	BOLT, MOTOR
4	W10003330	BALL
5	8540008	CLAMP
6	W10003240	HOSE, TUB TO PUMP
7	356138	CLAMP, DRAIN HOSE
8	370448	CLAMP, HOSE
9	W10130913	PUMP (COMPLETE)
10	W10034820	FOOT, RUBBER (SLIDER)
11	W10034830	FOOT, RUBBER (LOCK)
12	8540033	CAP, LOCK FOOT
13	8533964	SCREW, 10-16 X 1.25 (2)
14	8540025	SEAL, FILTER CAP
15	8540996	FILTER ASSEMBLY (INCLUDES ITEM 14)
16	W10172726	STEAMER, COMPLETE ASS. (INCLUDES 9 ON PAGE 7)
17	W10156132	HOSE, STEAMER/TUB
18	W10156063	CLAMP, HOSE (3)
19	W10156133	HOSE, OVERFLOW
20	W10156250	CAP, SIPHON
21	W10156251	TANK, SIPHON
22	W10157885	SCREW
23	W10015480	MOTOR CONTROL UNIT
24	W10003250	HOSE, DRAIN (INNER)
25	W10003290	RETAINER, DRAIN HOSE