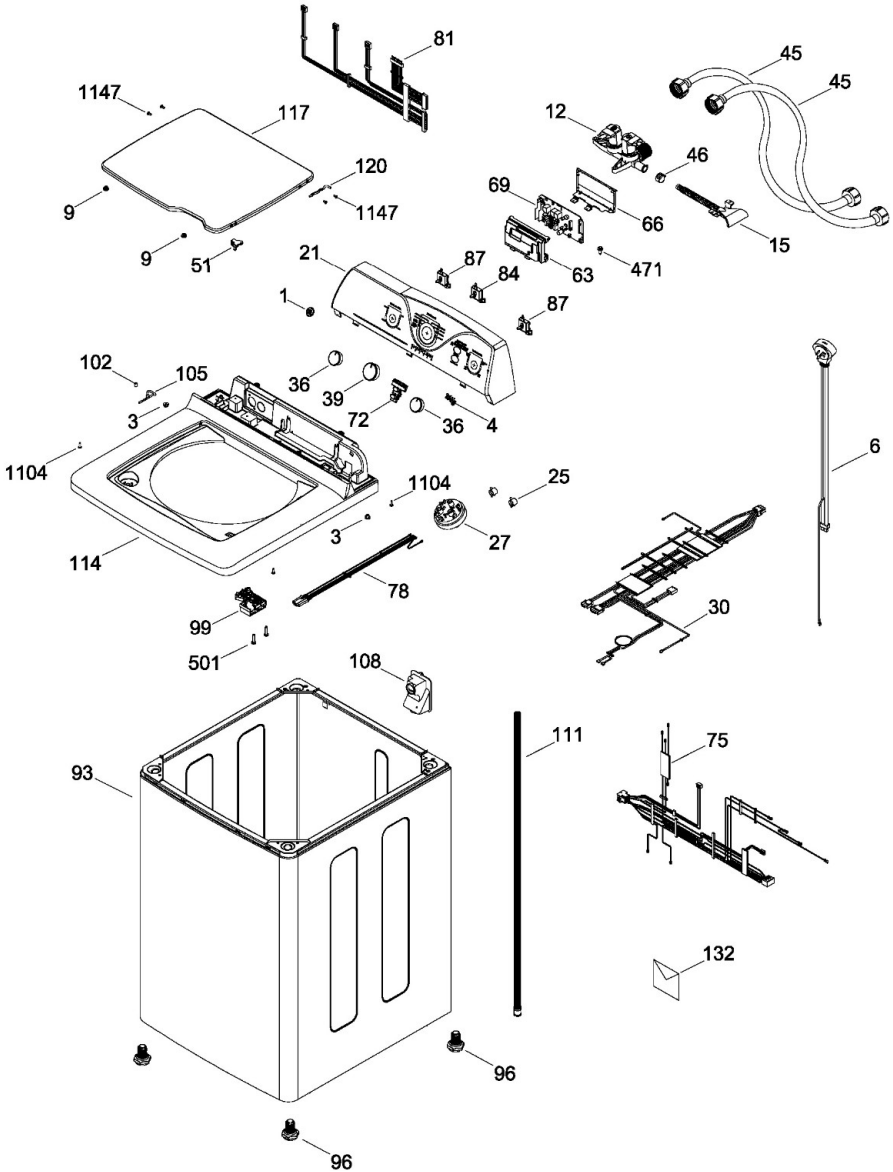


Lavadora Mabe WGA16305XBB00

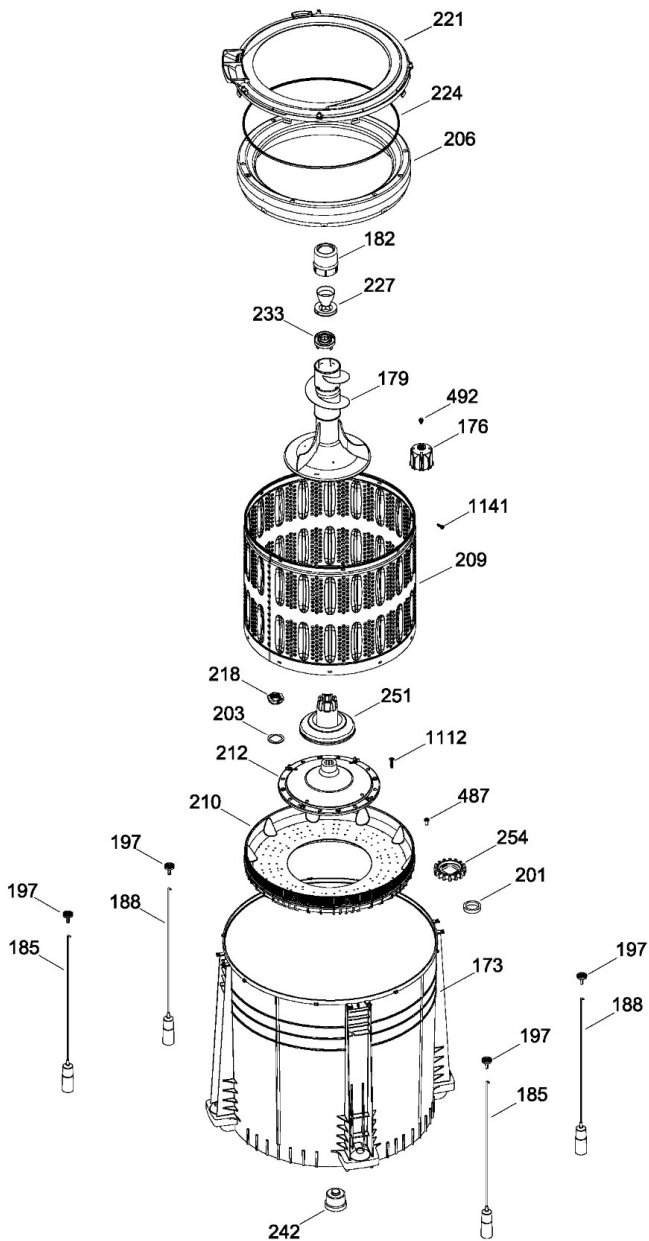
COPETE / BACKSPLASH
 GABINETE Y CUBIERTA / CABINET & COVER

WGA16305XBB00



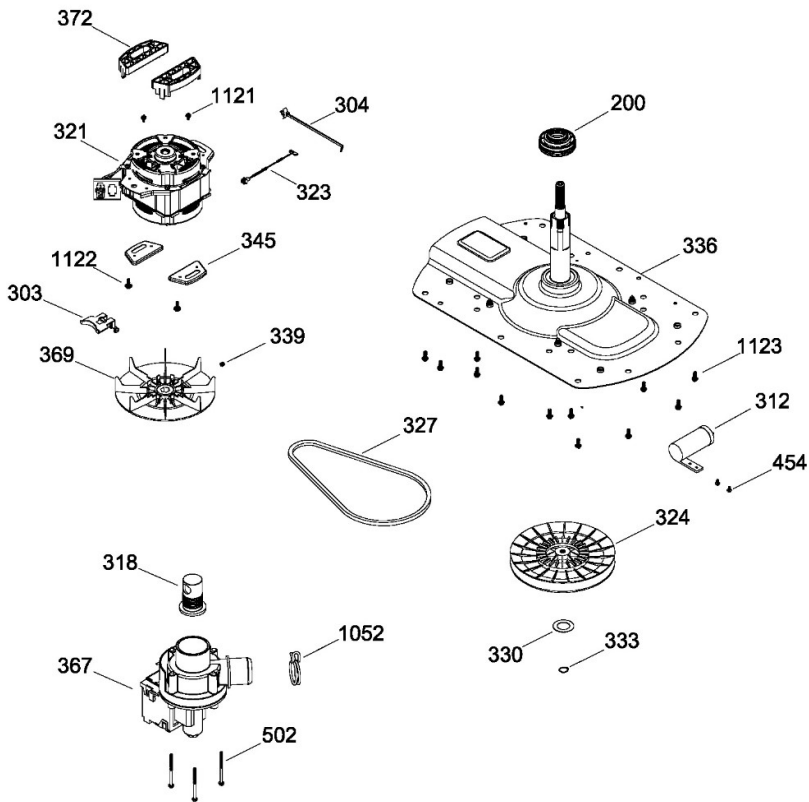
PARTES PARA TINA / TUB, BASKET & AGITATOR

WGA16305XBB00



SISTEMA MOTRIZ / PUMP & DRIVE COMPONENTS

WGA16305XBB00



Guía	Componente	Descripción
1	323B2572P001	LOGO GE
3	323B2194P001	BUJE BISAGRA
4	277B1241P005	LOGO CAPACIDAD 16KG
6	189D3208P002	CABLE TOMACORRIENTE
9	323B1416P001	PROTECTOR TAPA
12	189D1664G001	ENS. VALVULA DE AGUA
15	323B2198P005	ENTRADA DE AGUA
21	233D1546G001	COPETE GRAFICOS ENS.
25	323B1408P001	ABRAZADERA MANGUERA
27	228C2084P006	PRESOSTATO
30	189D3983G009	ARNES GABINETE
36	323B2342G018	PERILLA ROTATORIA
39	323B2343G017	ENS. PERILLA CONTROL
45	233D1368G001	MANGUERA
45	233D2851G001	MANGUERA
46	277B1146P002	ABRAZADERA MANGUERA
51	228C2243P001	ACTUADOR
63	189D5009P001	PROTECTOR CUBIERTA TARJETA
66	189D5319P001	BASE PROTECTOR TARJETA
69	T26G12R13	TARJETA TNT
72	189D2762G016	BOTON SELECTOR
75	189D3830G017	ARNES CUBIERTA
78	189D3652G002	ARNES PRESOSTATO
81	189D3653G015	ARNES SELECTOR
84	228C1256G005	SELECTOR PROGRAMA
87	228C1256G003	SELECTOR PROGRAMA
93	189D2655G009	ENS. GABINETE 10KG CURVO

Guía	Componente	Descripción
93	189D2655G011	ENS. GABINETE 10KG CURVO
96	228C1202P001	PATA NIVELADORA
99	228C2107P002N	ENS. BLOCAPUERTAS
99	253C1215P001	ENS. BLOCAPUERTAS
102	323B1294P001	TAPON BISAGRA
105	123C8025P005	BISAGRA
108	323B2659P001	TAPA MANGUERA
111	253C1066G002	MANGUERA
114	189D2868P003F	ENSAMBLE CUBIERTA ECONO. BCA
114	189D2868P005	ENSAMBLE CUBIERTA ECONO. BCA
117	189D1058P008P	ACABADO TAPA CURVA
117	189D1058P012	ACABADO TAPA CURVA
120	123C8029P001	BISAGRA
132	233D1397G002	BOLSA ACCESORIOS
173	189D2668P002	TINA
173	189D2668P003	TINA
176	189D3624P001F	COPLA AGITADOR LOW COS
179	189D3746G001	ENS. AGITADOR
182	189D1180P002	TAPA FSD
185	189D3916G011	ENS. VARILLA
188	189D3916G012	ENS. VARILLA
197	228C2372P001	ROTULA
200	228C2451P001	SELLO TINA
200	228C2451P003	SELLO TINA
201	277B1272P001	GASKET
203	323B2127P001	ARANDELA
206	189D1111G005	ARO DE BALANCE ENS



Lavadora Mabe WGA16305XBB00

Guía	Componente	Descripción
209	189D3561P008	CANASTA ACERO INOXIDABLE
209	233D2655P001	CANASTA ACERO INOXIDABLE
210	189D3562P002F	FONDO PLASTICO
210	189D3562P003	FONDO PLASTICO
210	189D3562P001	FONDO PLASTICO
212	189D3533P001L	FONDO CANASTA
212	233D2211G001	FONDO CANASTA
218	228C2160P001	TUERCA AMAZ IZQ.
221	189D2789P001	CUBIERTA TINA
221	189D2789P003	CUBIERTA TINA
224	228C1177P002	SELLO TINA
227	189D1626P002C	COPA SUAVIZANTE AZUL
227	189D1626P005	COPA SUAVIZANTE AZUL
233	189D1893P001C	RETARDANTE DE FLUJO
242	228C2217P001F	TAPON TUBO PRESOSTATO
242	228C2217P001	TAPON TUBO PRESOSTATO
242	228C2217P002	TAPON TUBO PRESOSTATO
251	189D3590G001	ENS. FLOTADOR
254	228C2415P001	EMBRAGUE FIJO
303	253C1058P001	SOPORTE TARJETA SENSOR
304	143B9478P001	CINCHO ESPADA (BOMBA Y ARNES)
312	228C1259P001	CAPACITOR
318	228C2136P001	SELLO BOMBA
321	233D1560P001	MOTOR 127V/60HZ
323	253C1142P003	TARJETA SENSOR
324	189D2652P001	POLEA TRANSMISION
327	228C2115P003	BANDA UNIFICADA

Guía	Componente	Descripción
327	228C2115P004	BANDA UNIFICADA
330	323B2052P001	ARANDELA DE FRICCION
333	323B2000P001	ANILLO DE RETENCION
336	189D3593G001	SOPORTE LOW CO
339	323B1279P002	OPRESOR POLEA
345	323B2167P001	REFUERZO MOTOR
367	233D1148P001	BOMBA UNIFICADA
367	233D2229P001	BOMBA UNIFICADA
369	189D2645G002L	ENS. POLEA MOTOR
372	228C2112P001	ESPACIADOR MOTOR
372	253C1092P002	ESPACIADOR MOTOR
454	323B2186P001	TORNILLO VALVULA
454	8911201P341	TORNILLO VALVULA
471	8911201P338	TORNILLO
487	323B2433P001	TORNILLO
492	323B1346P001	TORNILLO C/GROMET COPLE
492	323B1346P004	TORNILLO C/GROMET COPLE
501	323B2092P001	TORNILLO LID LOCK
502	323B2145P001	TORNILLO BOMBA
1052	323B2665P002	ABRAZADERA
1104	8911201P341	TORNILLO 8-18 X 7/16 AB FENIX
1112	8911238P041	TORNILLO FONDO CANASTA
1121	109B3403P052	TORNILLO
1122	323B2094P001	TORNILLO SUJECION
1123	323B2190P002	TORNILLO
1141	323B1193P001	TORNILLO
1147	8911200P283	TORNILLO 6-32 MCH FLP 340 SS