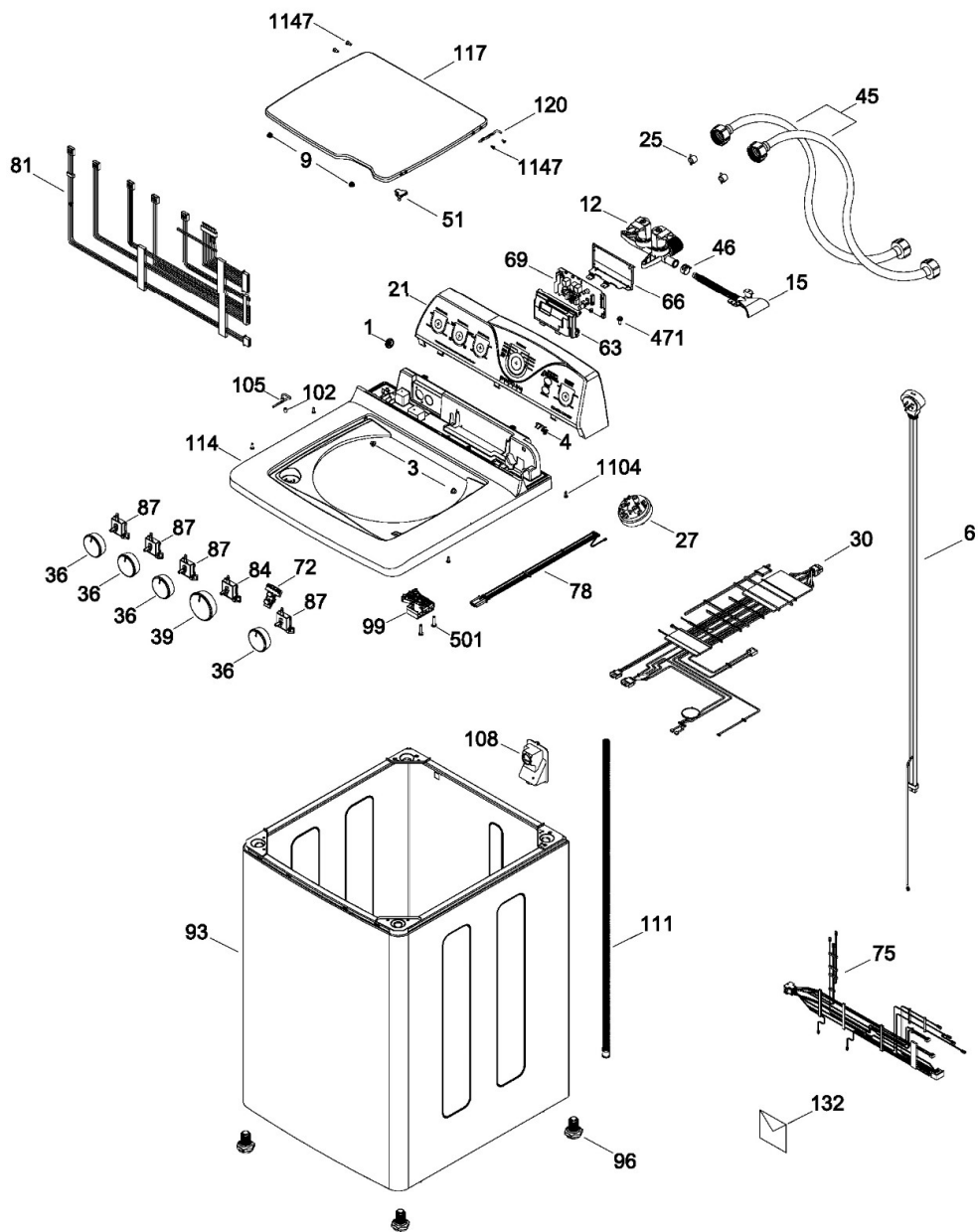


Lavadora Mabe WGA1750XPB10

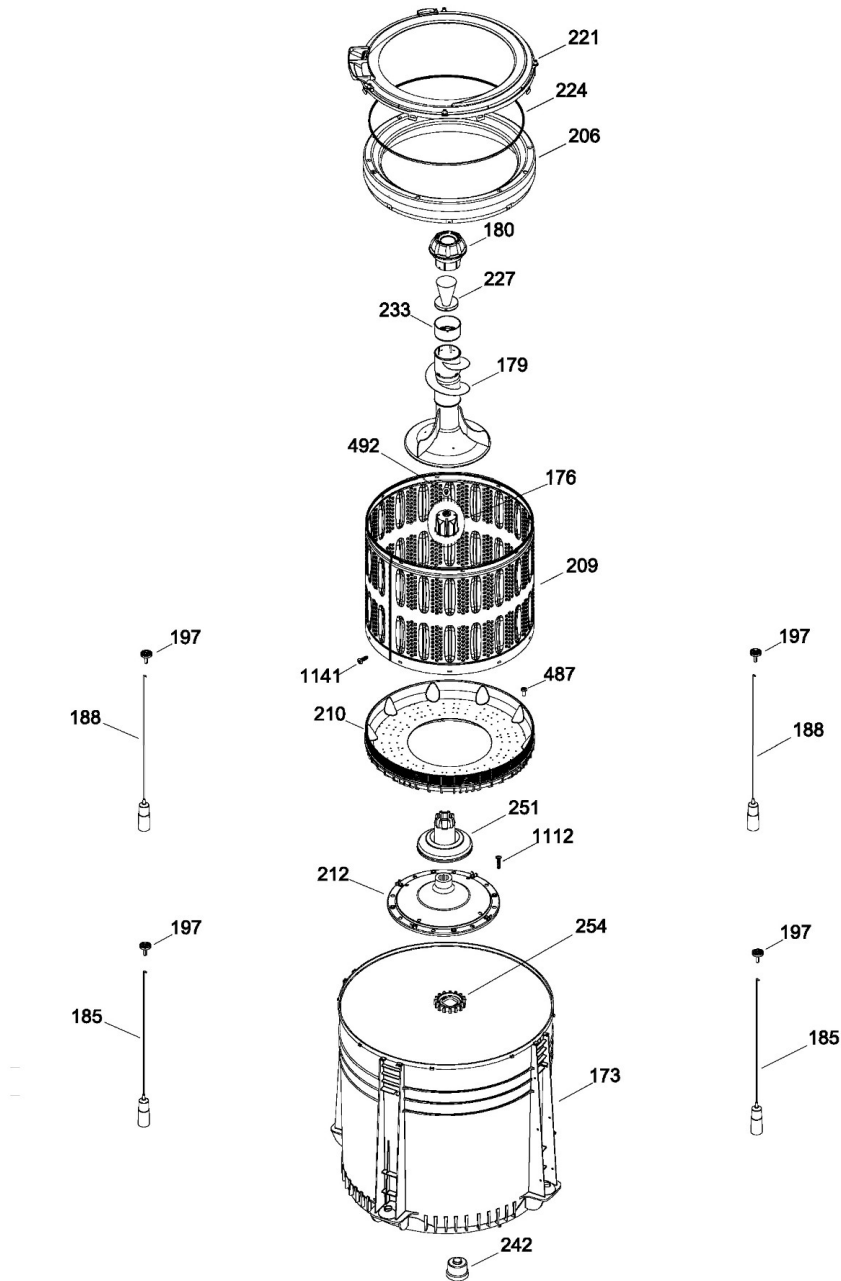
COPETE / BACKSPLASH
 GABINETE Y CUBIERTA / CABINET & COVER

WGA1750XPB10



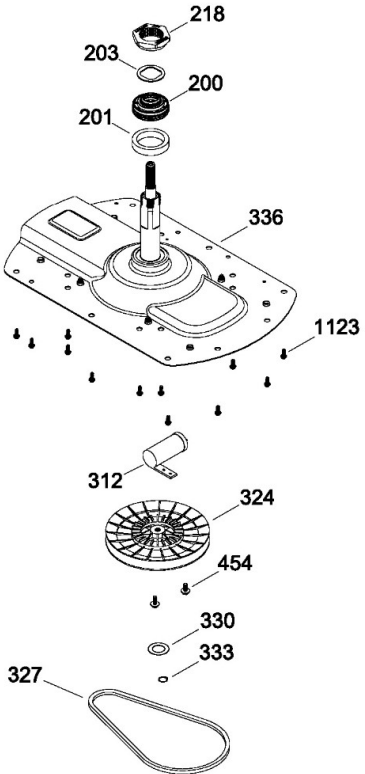
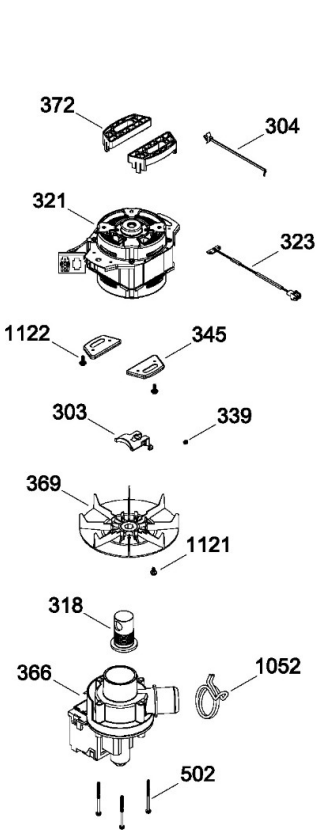
PARTES PARA TINA / TUB, BASKET & AGITATOR

WGA1750XPB10



SISTEMA MOTRIZ / PUMP & DRIVE COMPONENTS

WGA1750XPB10





Lavadora Mabe WGA1750XPB10

Guía	Componente	Descripción
1	323B2572P001	LOGO GE
3	323B2194P001	BUJE BISAGRA
4	277B1241P006	LOGO 17KG
6	189D3208P002	CABLE TOMACORRIENTE
9	323B1416P001	PROTECTOR TAPA
12	189D1664G001	ENS. VALVULA DE AGUA
15	323B2198P005	ENTRADA DE AGUA
21	233D1546G003	COPETE GRAFICOS ENS.
25	323B1408P001	ABRAZADERA MANGUERA
27	228C2084P006	PRESOSTATO
30	189D3983G007	ARNES GABINETE
30	189D3983G009	ARNES GABINETE
36	323B2342G024	PERILLA ROTATORIA
39	323B2343G021	ENS. PERILLA CONTROL
45	233D1368G001	MANGUERA
45	233D2851G001	MANGUERA
46	277B1146P002	ABRAZADERA MANGUERA
51	228C2243P001	ACTUADOR
63	189D5009P001	PROTECTOR CUBIERTA TARJETA
66	189D5319P001	BASE PROTECTOR TARJETA
69	T26G12R13	TARJETA TNT
72	189D2762G014	BOTON SELECTOR
72	189D2762G016	BOTON SELECTOR
75	189D3830G022	ARNES CUBIERTA
78	189D3652G002	ARNES PRESOSTATO
81	189D3653G013	ARNES SELECTOR
84	228C1256G005	SELECTOR PROGRAMA

Guía	Componente	Descripción
87	228C1256G003	SELECTOR PROGRAMA
93	189D2655G009	ENS. GABINETE 10KG CURVO
93	189D2655G011	ENS. GABINETE 10KG CURVO
96	228C1202P001	PATA NIVELADORA
99	228C2107P002N	ENS. BLOCAPUERTAS
99	253C1215P001	ENS. BLOCAPUERTAS
102	323B1294P001	TAPON BISAGRA
105	123C8025P005	BISAGRA
108	323B2659P001	TAPA MANGUERA
111	253C1066G002	MANGUERA
114	189D2868P003F	ENSAMBLE CUBIERTA ECONO. BCA
114	189D2868P005	ENSAMBLE CUBIERTA ECONO. BCA
117	189D1058P012	ACABADO TAPA CURVA
120	123C8029P001	BISAGRA
132	233D1397G002	BOLSA ACCESORIOS
173	189D2668P002	TINA
173	189D2668P003	TINA
176	189D3624P003	COPLA AGITADOR
179	189D3746G001	ENS. AGITADOR
180	323B2302G003	ENS. DESPACHADOR SUAVIZANTE
185	189D3916G011	ENS. VARILLA
188	189D3916G012	ENS. VARILLA
197	228C2372P001	ROTULA
200	228C2451P001	SELLO TINA
200	228C2451P003	SELLO TINA
201	277B1272P001	GASKET
203	323B2127P001	ARANDELA



Lavadora Mabe WGA1750XPB10

Guía	Componente	Descripción
206	189D1111G005	ARO DE BALANCE ENS
209	189D3561P006	CANASTA
212	189D3533P001L	FONDO CANASTA
212	233D2211G001	FONDO CANASTA
218	228C2160P001	TUERCA AMAZ IZQ.
221	189D2789P001	CUBIERTA TINA
221	189D2789P003	CUBIERTA TINA
227	323B2299P002C	COPA SUAVIZANTE
233	323B2300P001	RETARDANTE SUAVIZANTE
242	228C2217P001	TAPON TUBO PRESOSTATO
242	228C2217P002	TAPON TUBO PRESOSTATO
251	189D3590G001	ENS. FLOTADOR
254	228C2415P001	EMBRAGUE FIJO
303	253C1058P001	SOPORTE TARJETA SENSOR
304	143B9478P001	CINCHO ESPADA (BOMBA Y ARNES)
312	228C1259P001	CAPACITOR
318	228C2136P001	SELLO BOMBA
321	233D1560P001	MOTOR 127V/60HZ
323	253C1142P003	TARJETA SENSOR
324	189D2652P001	POLEA TRANSMISION
327	228C2115P003	BANDA UNIFICADA
327	228C2115P004	BANDA UNIFICADA
330	323B2052P001	ARANDELA DE FRICCION
333	323B2000P001	ANILLO DE RETENCION
336	189D3593G001	SOPORTE LOW CO
339	323B1279P002	OPRESOR POLEA
345	323B2167P001	REFUERZO MOTOR



Lavadora Mabe WGA1750XPB10

Guía	Componente	Descripción
367	233D2229P001	BOMBA
369	189D2645G002L	ENS. POLEA MOTOR
372	253C1092P002	GROMMET INF MOTOR
454	323B2186P001	TORNILLO VALVULA
454	8911201P341	TORNILLO VALVULA
471	8911201P338	TORNILLO
487	323B2433P001	TORNILLO
492	323B1346P004	TORNILLO
501	323B2092P001	TORNILLO LID LOCK
502	323B2145P001	TORNILLO BOMBA
914	189D3562P002	FONDO PLASTICO
914	189D3562P003	FONDO PLASTICO
914	189D3562P001	FONDO PLASTICO
918	228C1177P002	SELLO TINA
1052	323B2665P002	ABRAZADERA
1104	8911201P341	TORNILLO 8-18 X 7/16 AB FENIX
1112	8911238P041	TORNILLO FONDO CANASTA
1121	109B3403P052	TORNILLO
1122	323B2094P001	TORNILLO SUJECION
1123	323B2190P002	TORNILLO
1141	323B1193P001	TORNILLO
1147	8911200P283	TORNILLO 6-32 MCH FLP 340 SS