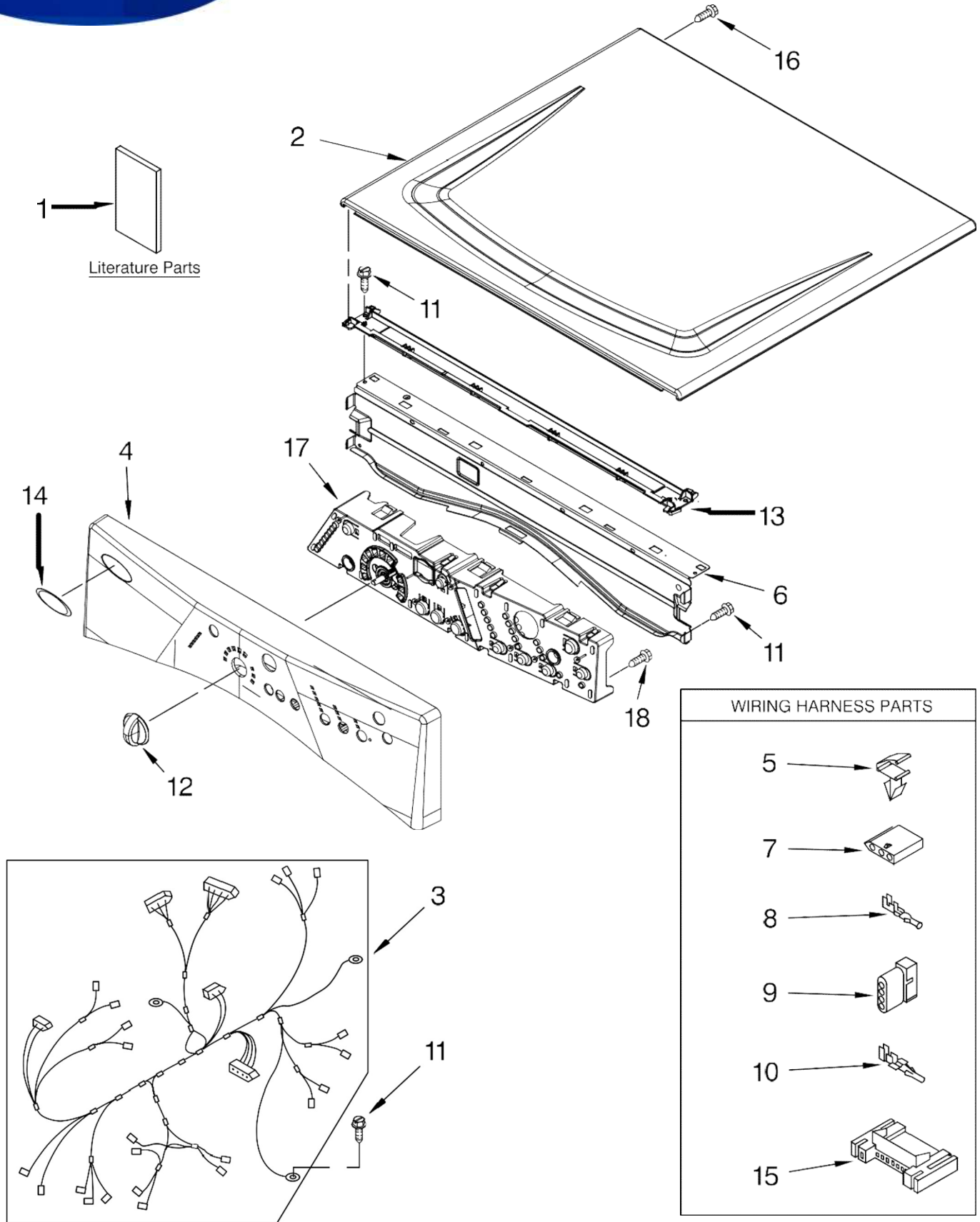




# SECADORA WGD8300

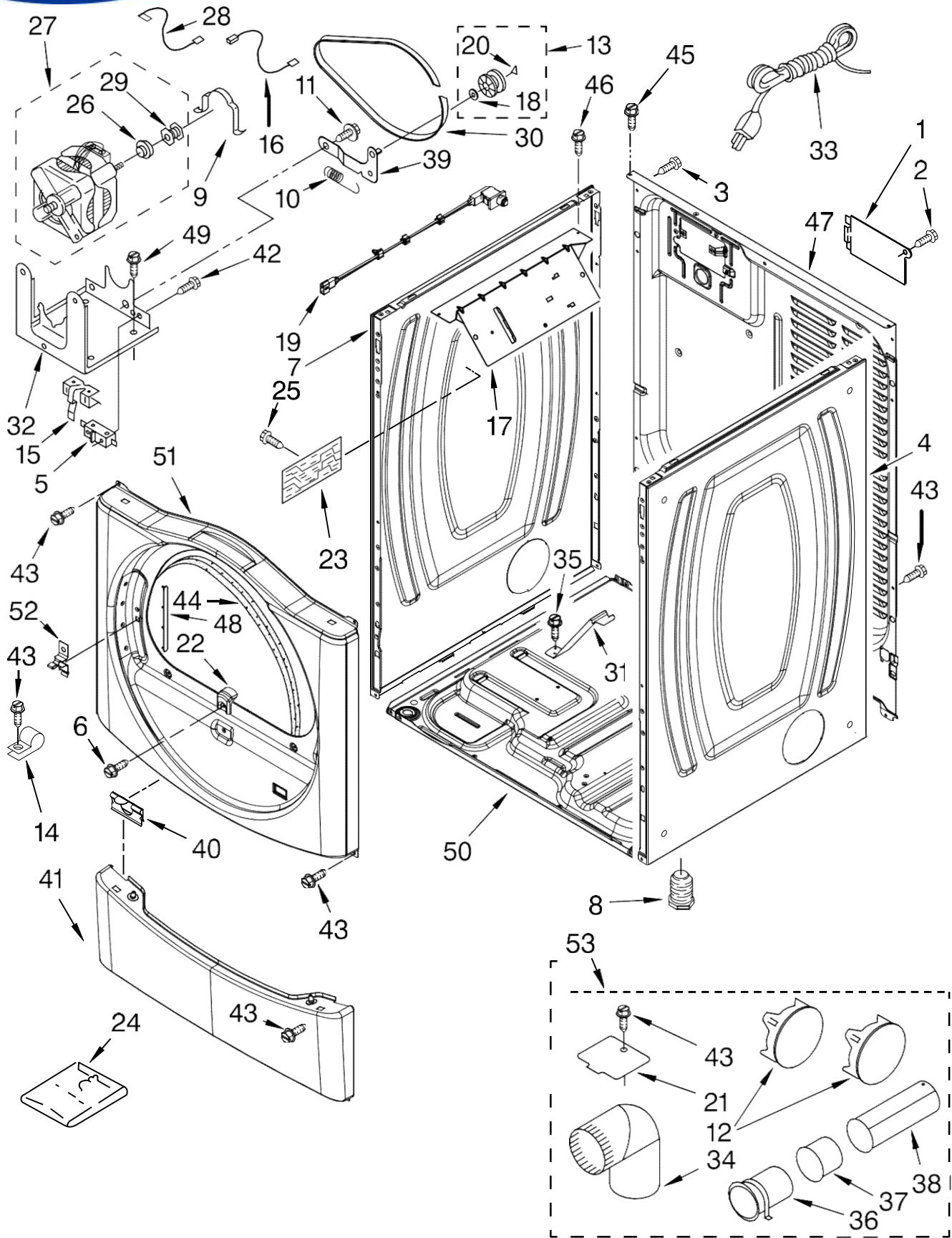


FOR ORDERING INFORMATION REFER TO PARTS PRICE LIST



# SECADORA WGD8300

<b>Illus. No.</b>	<b>Part No.</b>	<b>DESCRIPTION</b>
1		Literature Parts
	8578902	Use & Care Guide
	8578904	Guide, Quick Start
	8578834	Tech Sheet
2		Top
	8563730	White
	W10129703	Black
3	W10110973	Harness, Main
4		Panel, Console
	W10099598	White
	W10099631	Black
5	3394427	Clip, Harness
6	8565237	Bracket, Console
7	353424	Connector, Sensor
8	94614	Terminal
9	3936144	Plug, Terminal
10	94613	Terminal
11	3390647	Screw, 8-18 x 1/2
12		Knob
	8574963	White
	W10129067	Black
13	8574968	Channel, Water
14	W10117943	Badge, Assembly
15	3395683	Connector, (Motor)
16	3400238	Screw, 2-28 x 1/2
17	8571955	Assembly, User Interface
18	3400238	Screw, 2-28 x 1/2



FOR ORDERING INFORMATION REFER TO PARTS PRICE LIST

Illus. No.	Part No.	DESCRIPTION
1	8317340	Cover, Terminal Block
2	3390814	Screw, 8-18 x 3/8
3	8533974	Screw Ground
4		Panel, Side (R.H.)
	8565048	White
	W10112963	Black
5	3394881	Switch, Broken Belt
6	3357011	Screw, 10-16 x 1/2
7		Panel, Side (L.H.)
	8565054	White
	W10112962	Black
8	3392100	Foot, Dryer
	279810	Foot - Optional (Extended Length Package Of 2) (Not Included)
9	660658	Clamp, Motor (2)
10	3387374	Spring, Idler
11	3389420	Retainer, Idler
12		Plug, Multivent
	697750	White
	3388309	Black
13	3388672	Pulley Assembly
14	3978776	Bracket, Gas Pipe
15	8066120	Lever, Snap Switch
16	3394081	Wire, Belt Switch

Illus. No.	Part No.	DESCRIPTION
17	8563727	Bracket, Control
18	W10121334	Washer, Thrust
19	8574875	Switch, Assembly Door
20	690997	Tri Ring
21	8066115	Cover-Plate
22	8580015	Ramp, Door
23	W10111606	Control Board
24	8572546	Kit, Stack Assembly
25	8533971	Screw, 8-18 x 5/16
26	3393657	Restrainer, Belt
27	8538263	Motor Assembly 60 HZ.
28	3398948	Wire, Jumper (Broken Belt Switch)
29	3389729	Pulley 60 HZ.
30	3387610	Belt, Drive
31	8529757	Bracket, Burner
32	3387118	Bracket, Motor
33	3401401	Cord, Power
34	49026 4"	- 90 Elbow
35	693995	Screw, 8-18 x 3/8
36	3395532	Exhaust Pipe & Bracket
37	3395534	Exhaust Pipe (Short)
38	3395535	Exhaust Pipe (Long)

Illus. No.	Part No.	DESCRIPTION
39	3388674	Idler Bracket
40	8519459	Clip, Toe Panel
41		Toe, Panel
	8540621	White
	W10112964	Black
42	98129	Screw, 6-20 x 1 1/16
43	3390647	Screw, 8-18 x 1/2
44	3387242	Seal, Front Panel
45	3393008	Screw, 10-16 x 1/2
46	688983	Screw, 8-18 x 1/16
47	8565059	Panel, Rear
48	8565043	Plug, Strip Front Panel
49	343641	Screw, 10-16 x 1/2
50	8565046	Base, Cabinet
51		Front Panel (Includes Illus. 44)
	8580257	White
	W10129648	Black
52	8565122	Strike, Door (1)

---

Optional Parts Not Included

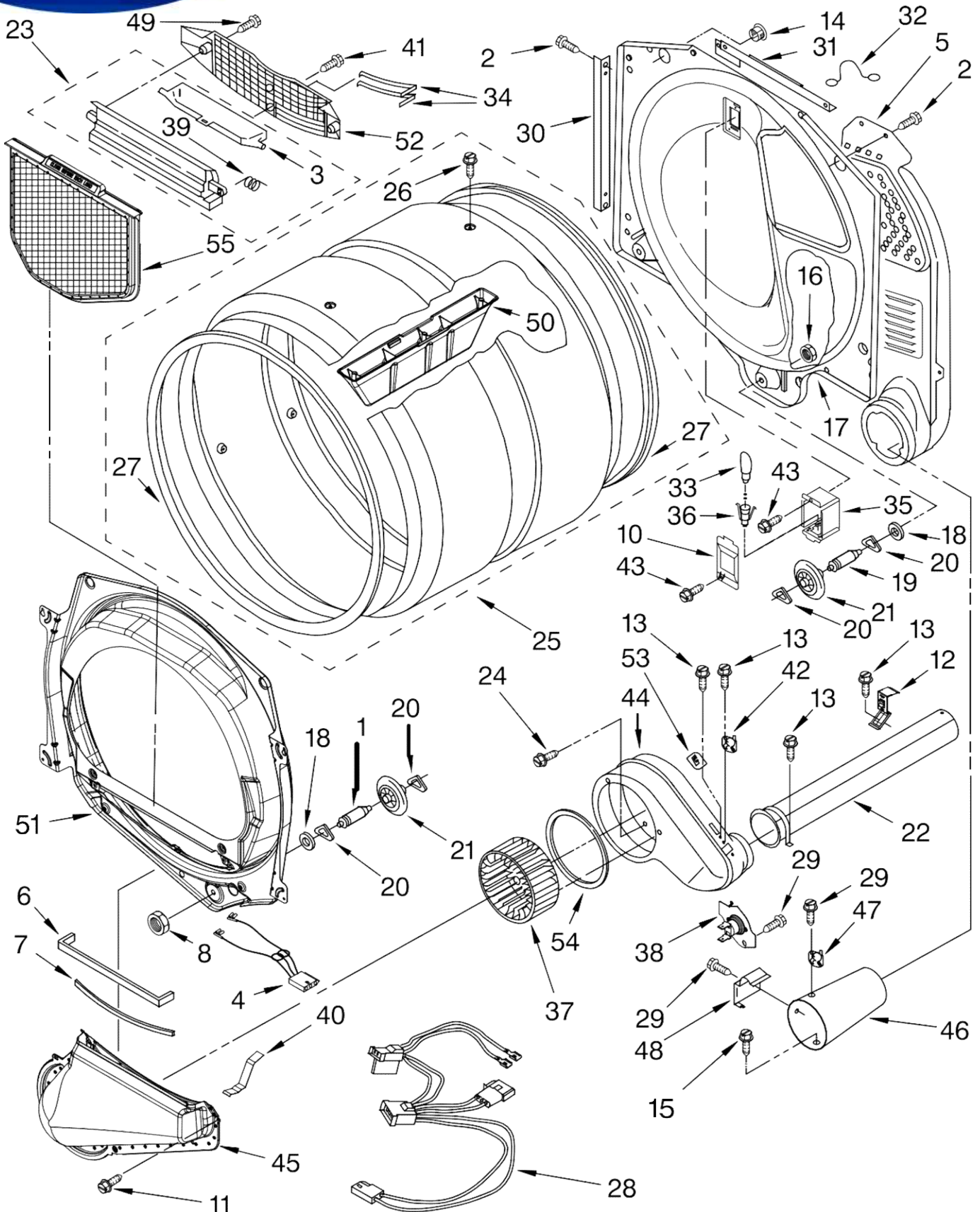
---

Dryer Exhaust Kit  
(For Side & Bottom Venting)

---

53	279818	White
	279820	Black





FOR ORDERING INFORMATION REFER TO PARTS PRICE LIST

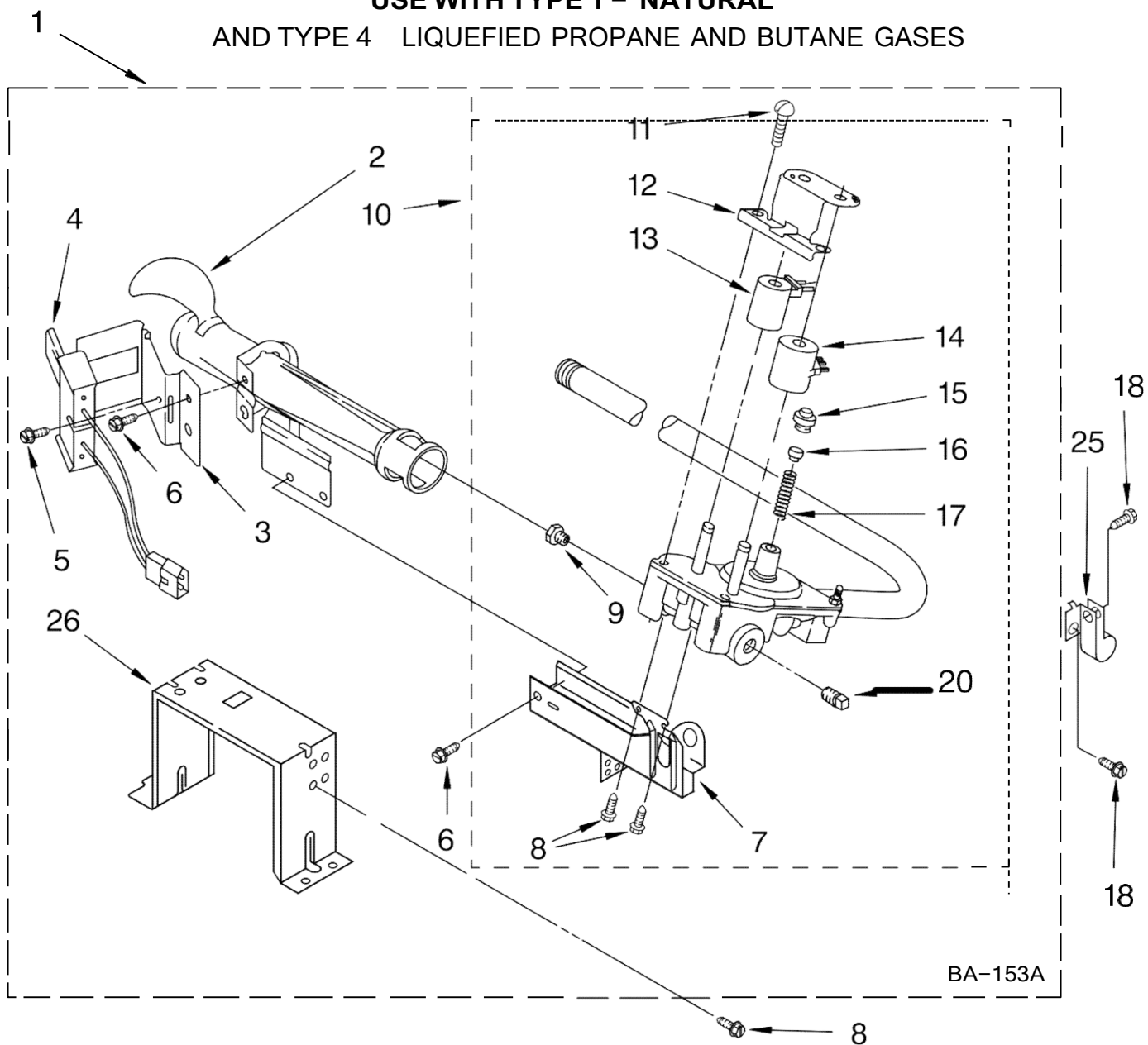


# SECADORA WGD8300

Illus. No.	Part No.	DESCRIPTION	Illus. No.	Part No.	DESCRIPTION	Illus. No.	Part No.	DESCRIPTION
1	8575325	Shaft, R.H. Thread	19	8575324	Shaft, L.H. Thread	36	3403634	Socket Assembly
2	3390647	Screw, 8-18 x 1/2	20	690997	Ring, Tri	37	697772	Wheel, Blower
3	W10153413	Door, Lint Screen	21	8536973	Roller, Support	38	8573713	Thermal Cut-Off
4	3406653	Harness, Sensor	22	8563728	Exhaust Pipe	39	3394986	Spring, Lint Screen Door
5	3394346	Air Duct Assembly	23	W10153423	Housing, Outlet Assembly	40	8066208	Clip-Spring
6	697813	Seal, Outlet Housing	24	489463	Screw, 8-18 x 5/8	41	695240	Screw, 8-18 x 1/2
7	697814	Seal, Drum Front	25	W10153420	Complete Drum Assembly	42	8577274	Thermistor
8	3934666	Nut, 3/8 x 16(R.H.)	26	W10109200	Screw, 11-16 x 3/4	43	487909	Screw, 8-15 x 1/2
10	3402841	Lens, Drum Light	27	697694	Seal, Drum	44	8544362	Housing, Blower
11	359625	Screw, 8-18 x 1/2	28	3401850	Harness-Gas	45	8066168	Lint Duct Assembly
12	8572105	Clip, Exhaust Pipe	29	90767	Screw, 8-18 x 3/8	46	8573824	Funnel, Burner
13	8533971	Screw, 8-18 x 5/16	30	8519221	Channel Bracket, Rear Bulkhead (2)	47	8573028	Thermostat, High-Limit 205F (96°C)
14	8529007	Plug, Rear Bulkhead	31	8571651	Bracket, Upper Rear Bulkhead	48	338906	Sensor, Radiant
15	693995	Screw, 8-18 x 3/8	32	3401707	Wire Jumper	49	3387230	Screw, 10-16 x 1
16	W10001120	Nut, 3/8-16 (L.H.)	33	3406124	Bulb, Light	50	W10153409	Baffle, Drum
17	8520836	Bulkhead, Rear	34	3387223	Electrode, Sensor	51	8565061	Bulkhead, Front
18	3387459	Washer, Support	35	8578825	Bracket, Drum Light	52	W10153412	Grill, Outlet
						53	3392519	Thermal Fuse
						54	697770	Seal, Cover Plate
						55	W10049370	Lint, Screen

FOR ORDERING INFORMATION REFER TO PARTS PRICE LIST

**USE WITH TYPE 1 – NATURAL  
AND TYPE 4 LIQUEFIED PROPANE AND BUTANE GASES**



FOR ORDERING INFORMATION REFER TO PARTS PRICE LIST



# SECADORA WGD8300

USE WITH TYPE 1 – NATURAL  
AND TYPE 4 LIQUEFIED PROPANE AND BUTANE GASES

Illus. No.	Part No.	DESCRIPTION
1	8576353	Burner Assembly 60 Hz. (Type 1) (White Rodgers)
2	688617	Tube, Burner
3	694298	Bracket, Ignitor
4	686590	Ignitor
5	3393909	Screw & Washer (8-32 x 7/8)
6	343641	Screw, 10-16 x 1/2
7	3389871	Base, Burner
8	3387057	Screw, 8-18 x 3/8
9		Orifice, Burner
	15418	Type 1
	15422	Type 4 (Butane)
	234867	Type 4 (Propane)
10	W10118347	Valve, Gas 60 Hz. (Complete) (Includes Pipe & Illus. #7).
11	694421	Screw, 8-32 x 1/2 (2)
12	694538	Bracket, Coil
13	694540	Coil, 60 Hz. (2 Terminal) (Main)
14	694539	Coil, 60 Hz. (Split) (3 Terminal) (Pilot Position)
15	694424	Leak, Limiter
16	694423	Screw, Regulator Adjustment
17	694422	Spring, Regulator
18	3390647	Screw, 8-18 x 1/2
20	239822	Plug, Pipe
25	3387561	Clamp, Pipe
26	3389889	Bracket, Support

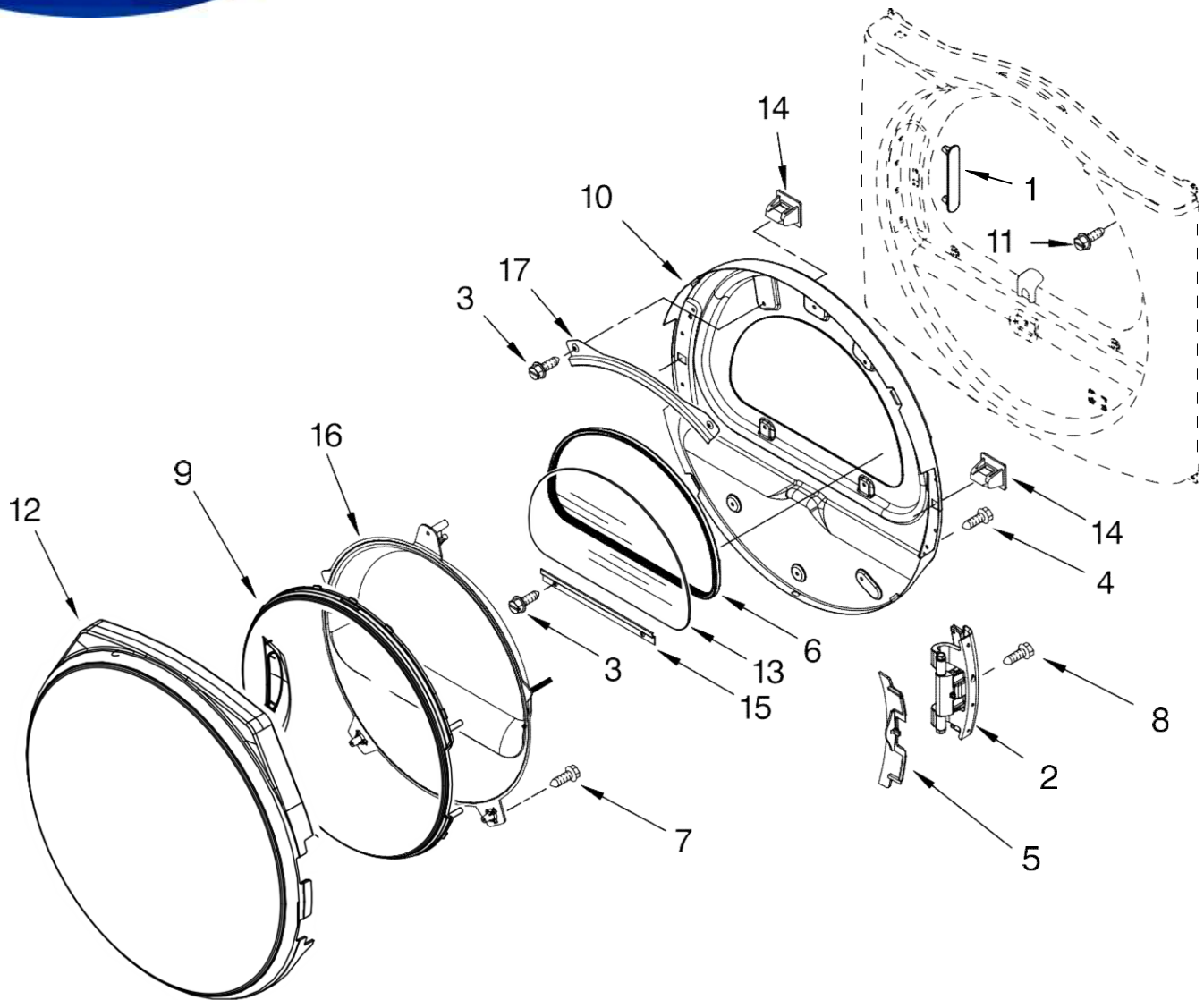
Following Parts Not Illustrated

8576846 Conversion Kit  
(Type 1)  
to Type (4) LPG).

BA-153A

FOR ORDERING INFORMATION REFER TO PARTS PRICE LIST





Illus. No.	Part No.	DESCRIPTION
1	8565119	Plug Strip
2	8578887	Door Hinge Assembly
3	3393258	Screw, 10-16 x 3/64
4	8534044	Screw, 8-18 x 1/2
5	8571839	White Cover, Hinge
	W10129722	Black
6	8579663	Seal, Window
7	8534022	Screw, 8-18 x 1/16

Illus. No.	Part No.	DESCRIPTION
8	W10017850	Screw, 10-24 x 3/64
9	W10044180	Door Intermediate (Outer)
10	8578933	Door Assembly (Inner) (Includes Illus. 1 & 14)
11	355515	Screw, 8-18 x 11/16

Illus. No.	Part No.	DESCRIPTION
12	8571836	Door, Outer Ring White
	W10129706	Black
13	8565117	Window
14	690081	Door Catch Assembly
15	8519354	Retainer-Lower
16	8571836	Door, Intermediate White
	W10129704	Gray
17	8519356	Retainer-Upper

FOR ORDERING INFORMATION REFER TO PARTS PRICE LIST

# OPTIONAL PARTS (NOT INCLUDED)

For Model: WGD8300SW1, WGD8300SB1  
(White) (Black)

<b>Illus. No.</b>	<b>Part No.</b>	<b>DESCRIPTION</b>
-------------------	-----------------	--------------------

## PAINT, TOUCH-UP (1/2oz.)

72017 White  
72302 Black

## PAINT, PRESSURIZED SPRAY (12 oz.)

350930 White  
786020 Black  
350938 Primer, Gray

## PAINT, BULK (1 qt.)

799344 White (Uncut)  
786302 Black (Uncut)

## ACCESSORY PARTS

8529894 Hold Down Kit  
8563738 Dry Rack  
8522199 Kit, Dryer  
Vent Testing  
80047 Kit,  
Dryer Repair