

FOR ORDERING INFORMATION REFER TO PARTS PRICE LIST



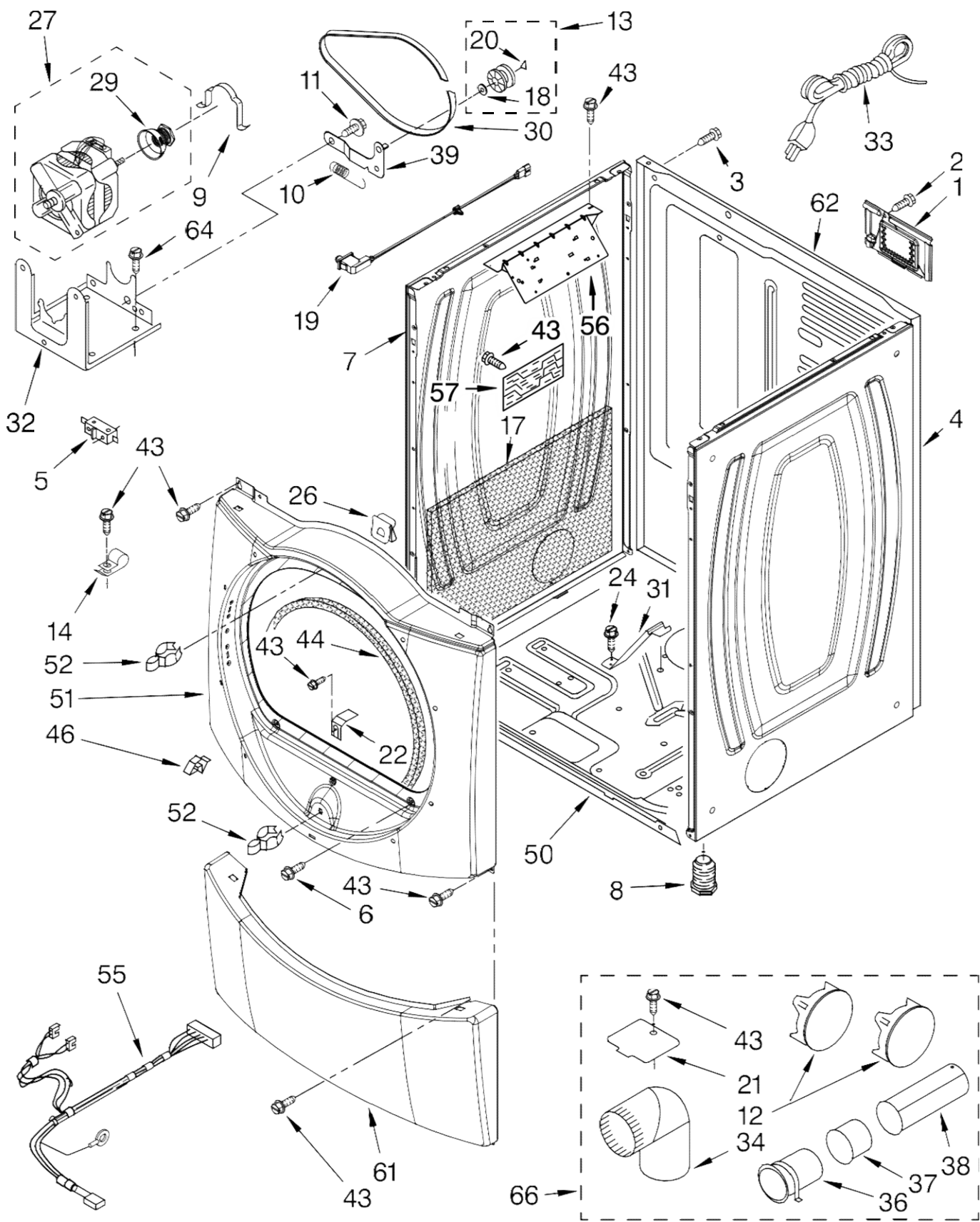
Secadora Whirlpool WGD9400SW2

Illus. No.	Part No.	DESCRIPTION
1		Literature Parts
	W10224575	Use & Care Guide
	W10258369	Tech Sheet
	W10255469	Installation Instructions
2	3980634	Top
3	W10111062	Harness, Main
4	W10246730	Panel, Console (Includes Illus: 20,21,22,27,28.)
5	3394427	Clip, Harness
6	W10215656	Bracket, Console (Includes No.12)
7	353424	Connector, Sensor
8	94614	Terminal
9	3936144	Plug, Terminal
10	94613	Terminal
11	3390647	Screw, 8-18 x 1/2

Illus. No.	Part No.	DESCRIPTION
12	W10112267	Foam-Seal
13	W10030070	Array-Power
14	3936150	Connector, 7-Circuit
15	3395683	Connector, (Motor)
17	2203186	Connector, 5-Circuit
18	W10246782	Techframe (Right)
19	W10121375	Techframe Center (Includes Illus: 13.)
20	W10012430	Encoder-Wheel
21	W10012440	Retainer-Snap
22	W10012410	Knob, Light Ring (Includes: Illus. 21)

Illus. No.	Part No.	DESCRIPTION
23	W10012810	Rast, WheelAssy. (Service Only With Item. 28)
24	W10012460	Detent Wheel (Service Only With Item. 28)
25	W10242906	Harness, Communication
26	W10012820	Knob, Spring (Service Only With Item. 28)
27	W10116702	Knob, Control (Includes: Item. 21)
28	280230	Encoder, Wheel Kit (Includes Items: 23, 24 & 26)
29	W10112268	Clip-Harness (4)
30	3391018	Tie, Cable
31	W10117943	Badge

Secadora Whirlpool WGD9400SW2



FOR ORDERING INFORMATION REFER TO PARTS PRICE LIST



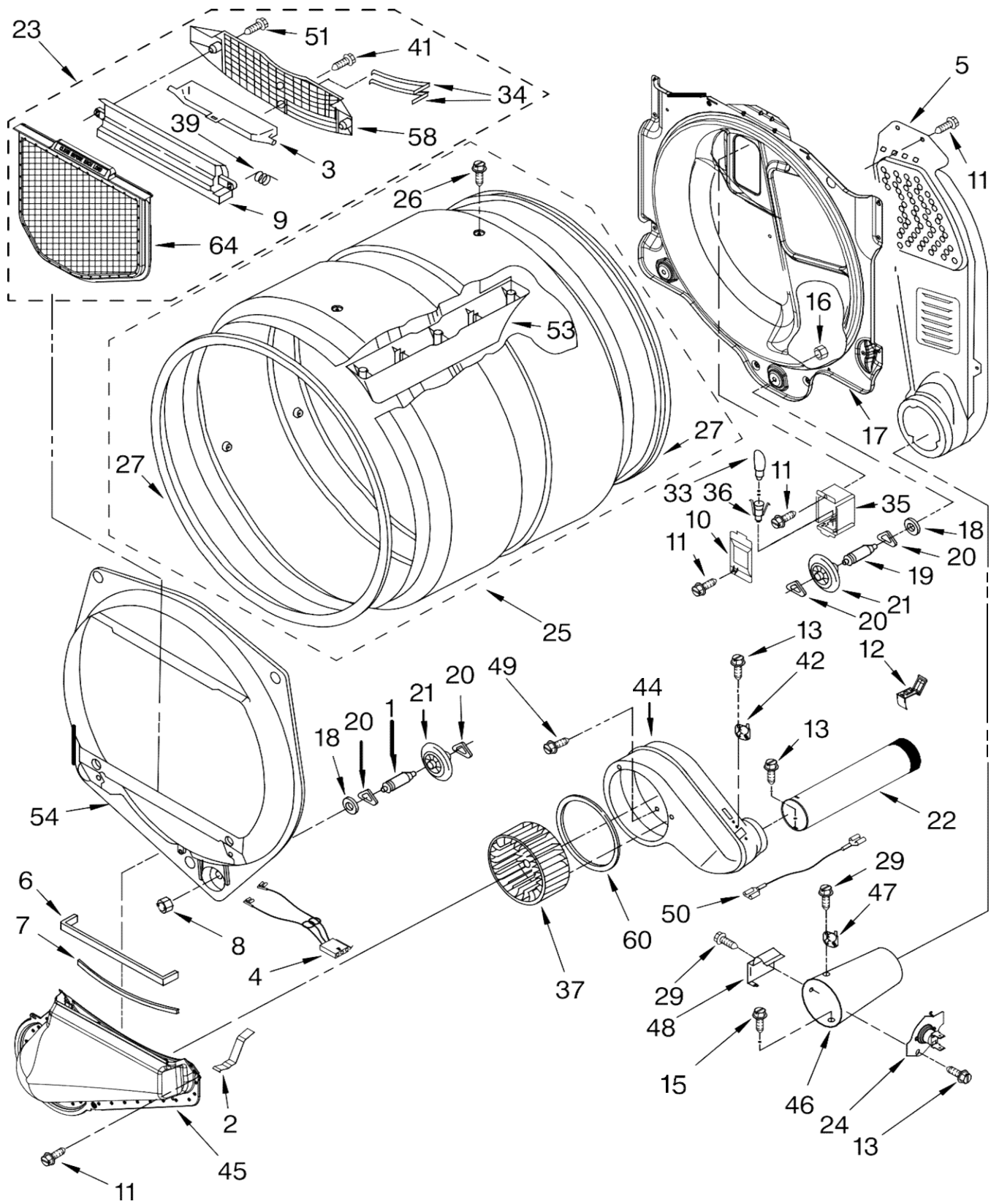
Secadora Whirlpool WGD9400SW2

Illus. No.	Part No.	DESCRIPTION
1	8317340	Cover, Terminal Block
2	3390814	Screw, 8-18 x 3/8
3	8533974	Screw, 10-32 x 5/8 (Ground)
4	W10192446	Panel, Side (R.H.)
5	W10246525	Switch, Broken
6	3357011	Belt Screw, 10-16 x 1/2
7	W10192435	Panel, Side (L.H.)
8	3392100 279810	Foot, Dryer Foot - Optional (Extended Length Package Of 2) (Not Included)
9	W10121316	Clamp, Motor (2)
10	3387374	Spring, Idler
11	3389420	Retainer, Idler
12	49252	Plug, Multivent
13	3388672	Pulley Assembly
14	3978776	Bracket, Gas Pipe Switch
17	W10123956	Sound Panel

Illus. No.	Part No.	DESCRIPTION
18	233520	Washer, Thrust
19	W10128087	Assembly, Door Switch
20	W10121334	Washer
21	8066115	Cover-Plate
22	8529053	Ramp, Door
24	693995	Screw, 8-18 x 3/8
26	62825	Clip-S Type
27	8538263	Motor Assembly 60 HZ. (Broken Belt Switch)
29	8578220	Pulley 60 HZ.
30	3387610	Belt, Drive
31	8529757	Bracket, Burner
32	W10242878	Bracket, Motor
33	3401401	Cord, Power
34	49026	4" - 90° Elbow
36	8563747	Exhaust Pipe & Bracket
37	8563750	Exhaust Pipe (Short)
38	8563749	Exhaust Pipe (Long)
39	3388674	Idler Bracket
43	3390647	Screw, 8-18 x 1/2

Illus. No.	Part No.	DESCRIPTION
44	3387242	Seal, Front Panel
46	8519459	Clip, Toe Panel
50	W10254039	Base, Cabinet
51	W10180423	Front Panel (Includes Illus. 44)
52	696144	Strike, Door (2)
55	W10242903	Harness, Digital Interface
56	8563727	Bracket, Control
57	W10174745	Control Board
61	W10246269	Toe, Panel
62	W10244141	Panel, Rear
64	343641	Screw, 10-16 x 1/2
Optional Parts Not Included		
Dryer Exhaust Kit		
(For Side & Bottom Venting)		
66	279818	White

FOR ORDERING INFORMATION REFER TO PARTS PRICE LIST



FOR ORDERING INFORMATION REFER TO PARTS PRICE LIST

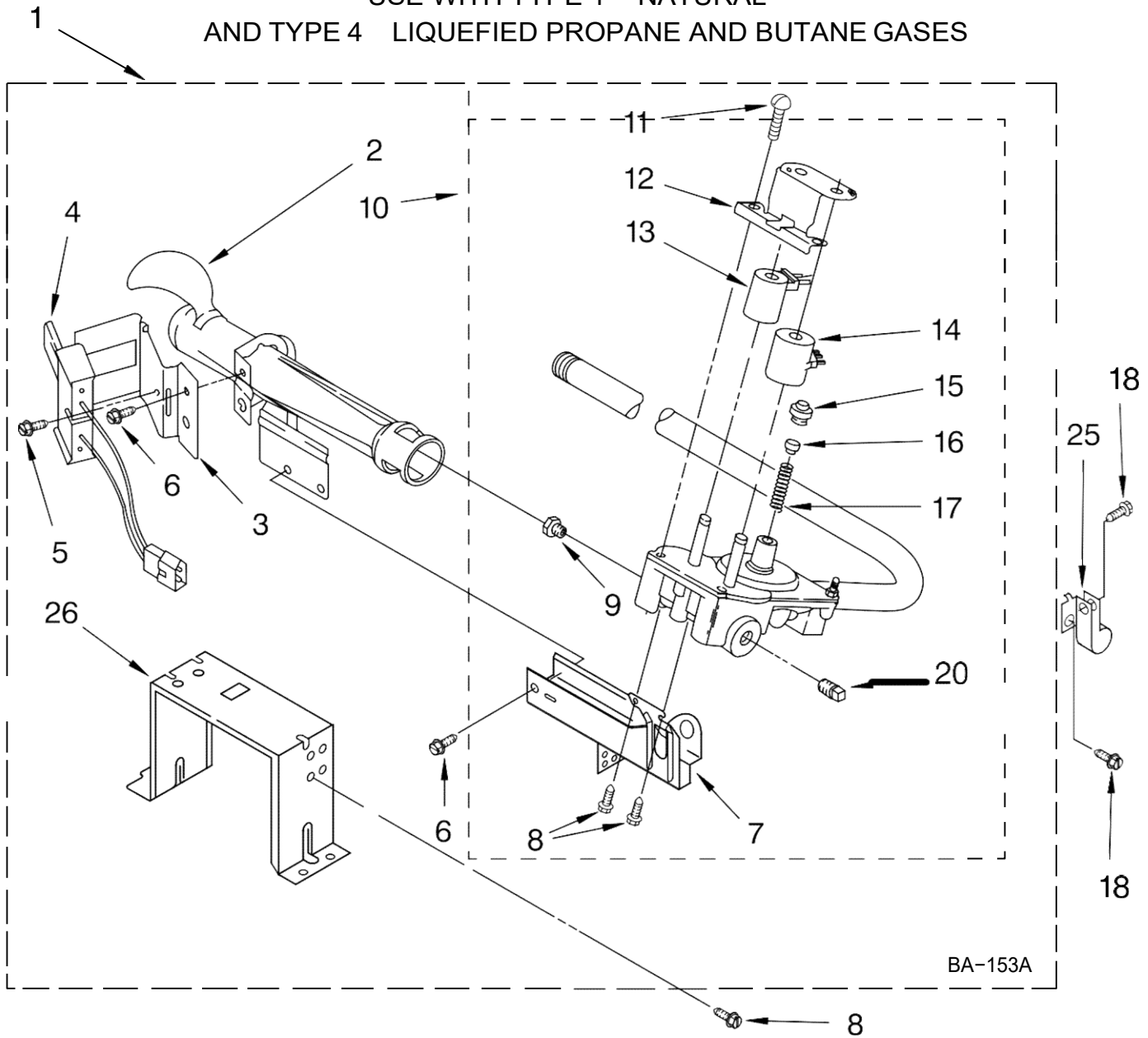


Secadora Whirlpool WGD9400SW2

Illus. No.	Part No.	DESCRIPTION	Illus. No.	Part No.	DESCRIPTION	Illus. No.	Part No.	DESCRIPTION
1	8575324	Shaft, R.H. Thread	18	3387459	Washer, Support	39	3394986	Spring, Lint
2	8066208	Clip-Spring	19	8575325	Shaft, L.H. Thread			Screen Door
3	3394984	Door, Lint	20	690997	Ring, Tri	41	695240	Screw, 8-18 x 1/2
		Screen	21	8536973	Roller, Support	42	8577274	Thermistor
4	3406653	Harness, Sensor	22	8563745	Exhaust Pipe	44	8544362	Housing, Blower
5	3394346	Air Duct Assembly	23	W10253352	Housing Assembly, Outlet Grill	45	8066168	Lint Duct Assembly
6	697813	Seal, Outlet Housing			(Includes Illus.3, 9,34,39,58,64)	46	8573824	Funnel, Burner
7	697814	Seal, Drum Front	24	8573713	Thermal, Cut-Off	47	8573028	Thermostat, ° High-Limit 205 F (96 C)
8	3934666	Nut, 3/8 x 16(R.H.)	25	W10181466	Complete Drum Assembly	48	338906	Sensor, Radiant
9	3394985	Housing, Outlet	26	W10219342	Screw, 11-16 x 3/4	49	489463	Screw, 8-18 x 5/8
10	3402841	Lens, Drum Light	27	W10166807	Seal, Drum	50	3401710	Jumper, TCO Hi-Limit
11	3390647	Screw, 8-18 x 1/2	29	90767	Screw, 8-18 x 3/8	51	3387230	Screw, 10-16 x 1
12	8572105	Clip, Exhaust Pipe	33	3406124	Bulb, Light	53	697693	Baffle, Drum
13	8533971	Screw, 8-18 x 5/16	34	3387223	Electrode, Sensor	54	W10252304	Bulkhead, Front
15	693995	Screw, 8-18 x 3/8	35	8578825	Bracket, Drum Light	58	8299979	Grill, Outlet
16	W10001120	Nut, 3/8-16 (L.H.)	36	W10214261	Socket Assembly	60	697770	Seal, Cover Plate
17	W10080170	Bulkhead, Rear	37	697772	Wheel, Blower	64	W10049370	Lint, Screen

FOR ORDERING INFORMATION REFER TO PARTS PRICE LIST

USE WITH TYPE 1 - NATURAL
 AND TYPE 4 LIQUEFIED PROPANE AND BUTANE GASES

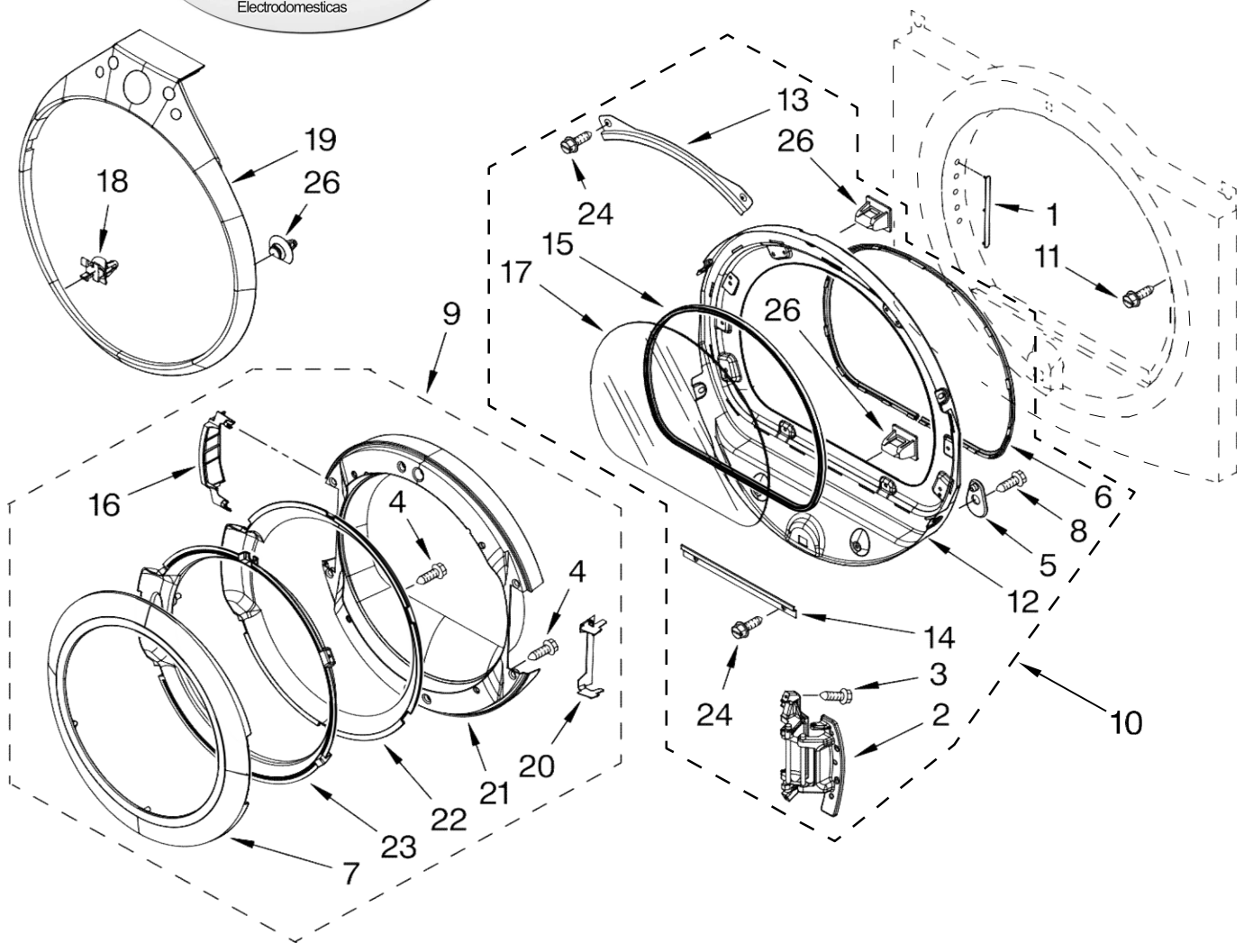


USE WITH TYPE 1 – NATURAL
 AND TYPE 4 LIQUEFIED PROPANE AND BUTANE GASES

Illus. No.	Part No.	DESCRIPTION
1	8576353	Burner Assembly 60 Hz. (Type 1) (White Rodgers)
2	688617	Tube, Burner
3	694298	Bracket, Ignitor
4	686590	Ignitor
5	3393909	Screw & Washer (8-32 x 7/8)
6	343641	Screw, 10-16 x 1/2
7	3389871	Base, Burner
8	3387057	Screw, 8-18 x 3/8
9		Orifice, Burner
	15418	Type 1
	15422	Type 4 (Butane)
	234867	Type 4 (Propane)
10	W10118347	Valve, Gas 60 Hz. (Complete) (Includes Pipe & Illus. #7).
11	694421	Screw, 8-32 x 1/2 (2)
12	694538	Bracket, Coil
13	694540	Coil, 60 Hz. (2 Terminal) (Main)
14	694539	Coil, 60 Hz. (Split) (3 Terminal) (Pilot Position)
15	694424	Leak, Limiter
16	694423	Screw, Regulator Adjustment
17	694422	Spring, Regulator
18	3390647	Screw, 8-18 x 1/2
20	239822	Plug, Pipe
25	3387561	Clamp, Pipe
26	3389889	Bracket, Support

Following Parts Not Illustrated

8576846 Conversion Kit
(Type 1)
to Type (4) LPG).



Illus. No.	Part No.	DESCRIPTION
1	W10085210	Label, Hinge Hole
2	W10139920	Door Hinge Assembly
3	W10159996	Screw, 10-24 x 3/64
4	9742177	Screw, 8-18 x 5/8
5	W10048910	Screw-Plug
6	W10139457	Seal-Door
7	8579502	Handle, Ring Assembly
8	3400224	Screw, 1/4-20 x 0.5
9	W10180115	Door Assembly (Outer)

Illus. No.	Part No.	DESCRIPTION
10	8577819	Door Assembly (Inner) (Includes Illus. 2,3,5,6,8, 11,13,14,15,17, 24,26)
11	355515	Screw, 8-18 x 11/16
12	8578229	Door, Inner
13	8519356	Retainer-Window (Upper)
14	8519354	Retainer-Window (Lower)
15	8579662	Seal, Window

Illus. No.	Part No.	DESCRIPTION
16	W10180119	Cover-Hinge, Stationary (LH)
17	8566254	Window
18	W10129065	Clip-Trim (8)
19	W10180492	Tear-drop Trim & Clip Assembly
20	W10180120	Door Shield
21	W10180118	Door, Intermediate
22	W10180117	Door Mask
23	8578155	Door Screen
24	3393258	Screw, 10-16 x 3/8
26	690081	Door Catch Assembly

FOR ORDERING INFORMATION REFER TO PARTS PRICE LIST



Secadora Whirlpool WGD9400SW2

Illus. No.	Part No.	DESCRIPTION
-------------------	-----------------	--------------------

PAINT, TOUCH-UP (1/2oz.)

72017 White
72302 Black
4392899 Biscuit
8212605 Ultimate Silver

**PAINT, PRESSURIZED SPRAY
(12 oz.)**

350930 White
4392901 Biscuit
350938 Primer, Gray

PAINT, BULK (1 qt.)

799344 White (Uncut)
4392900 Biscuit (Uncut)
786032 Black (Uncut)

ACCESSORY PARTS

8529894 Kit,
Hold Down
8579666A Kit,
Door Reversing
8541503 Kit,
Stack Assembly
80047 Kit,
Dryer Repair
8521957 Dry Rack