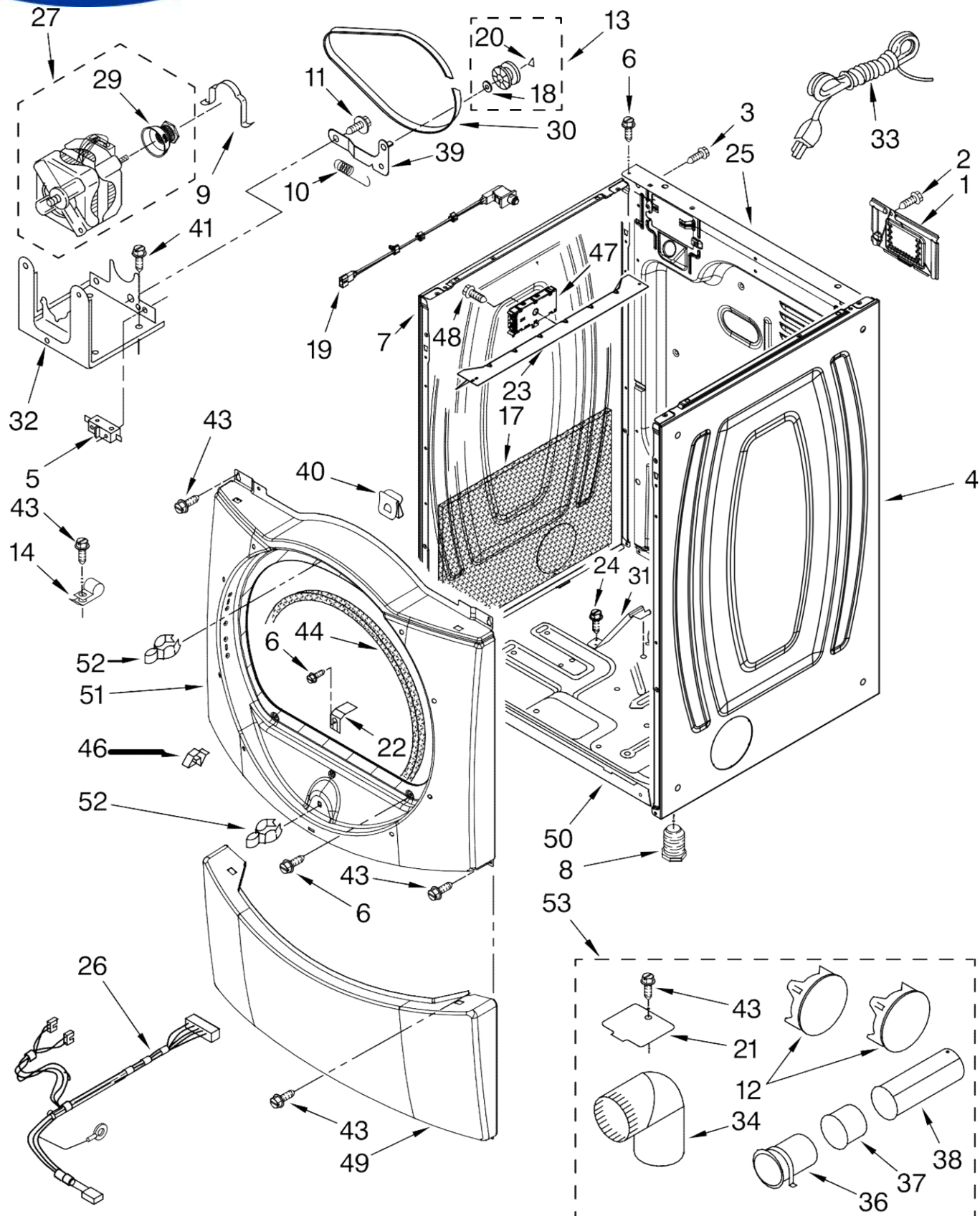




SECADORA WGD9550WL1

Illus. No.	Part No.	DESCRIPTION	Illus. No.	Part No.	DESCRIPTION	Illus. No.	Part No.	DESCRIPTION
1		Literature Parts	6	W10215656	Bracket, Console (Includes No.12)	20	W10012430	Encoder-Wheel
	W10244607	Use & Care Guide				21	W10012440	Retainer-Snap
	W10258369	Tech Sheet	7	W10112268	Clip, Harness(4)	22	W10250089	Knob, Light Ring (Includes: Illus. 21)
	W10255469	Installation Instructions	8	94614	Terminal	23	W10012810	Rast, Wheel Assy. (Service Only With Item. 28)
2		Top	9	3936144	Plug, Terminal	25	W10242906	Harness, Communication
	3980634	White	10	W10117943	Badge	26	W10012820	Knob, Spring (Service Only With Item. 28)
	W10249738	Red	11	3390647	Screw, 8-18 x 1/2	27	W10190685	Knob, Timer (Includes: Item. 21)
	W10249739	Mercury	12	W10112267	Foam-Seal	28	W10012480	Encoder, Wheel Kit (Includes Items: 23 & 26)
3	W10111069	Harness, Main	13	W10030070	Array-Power			
4		Panel, Console (Includes Illus: 5,7,10,13,18,19, 20,21,22,25,27& 28)	14	3936150	Connector, 7-Circuit			
	W10255229	White	15	3395683	Connector, (Motor)			
	W10255231	Red	16	98139	Screw, 8-32 x 5/16			
	W10255230	Mercury	17	2203186	Connector, 5-Circuit			
5	3391018	Tie, Cable	18	W10255236	User-Interface (Right)			
			19	W10110658	User-Interface Center (Includes Illus: 13.)			



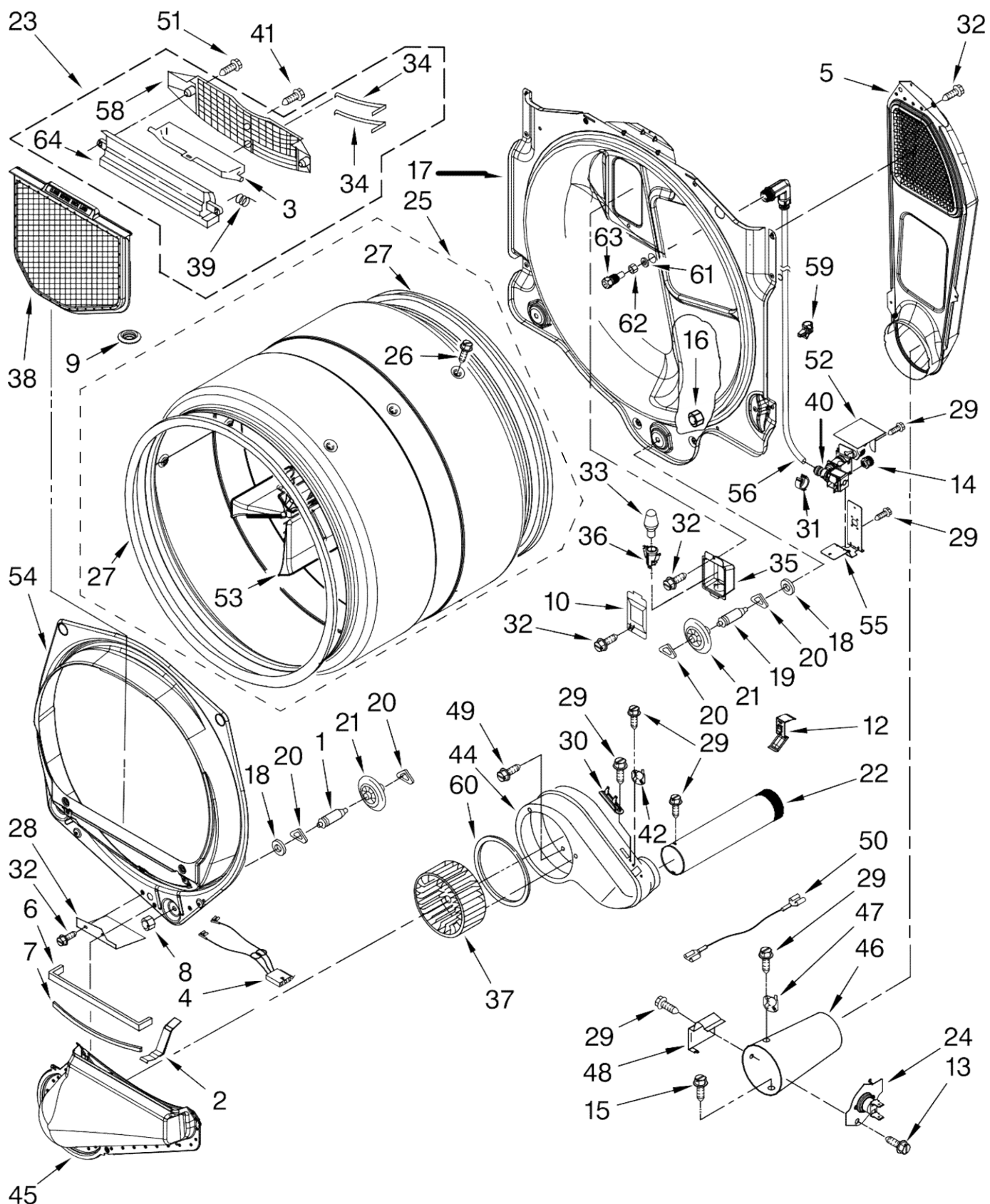


SECADORA WGD9550WL1

Illus. No.	Part No.	DESCRIPTION	Illus. No.	Part No.	DESCRIPTION	Illus. No.	Part No.	DESCRIPTION
1	8317340	Cover, Terminal Block	14	3978776	Bracket, Gas Pipe	39	3388674	Idler Bracket
2	3390814	Screw, 8-18 x 3/8	17	W10123956	Sound Panel	40	62825	Clip, S Type
3	8533974	Screw, Ground	18	W10121334	Washer	41	343641	Screw, 10-16x1/2
4		Panel, Side (R.H.)	19	W10128087	Assembly, Door Switch	43	3390647	Screw, 8-18 x 1/2
	W10192446	White	20	690997	Tri Ring	44	3387242	Seal, Front Panel
	W10249769	Red	21	8066115	Cover-Plate	46	8519459	Clip, Toe Panel
	W10249725	Mercury	22	8529053	Ramp, Door	47	W10256719	Board, Control
5	W10246525	Switch, Broken Belt	23	8563727	Bracket, Control	48	90767	Screw, 8-18 x 3/8
6	3357011	Screw, 10-16 x 1/2	24	693995	Screw, 8-18 x 3/8	49		Panel, Toe
7		Panel, Side (L.H.)	25	W10180481	Panel, Rear		W10246269	White
	W10192435	White	26	W10242903	Harness, Digital Interface		W10259607	Red
	W10249768	Red	27	8538263	Motor Assembly 60 HZ.		W10259606	Mercury
8	3392100	Foot, Dryer	29	8578220	Pulley 60 HZ.	50	W10239098	Base, Cabinet
	279810	Foot - Optional (Extended Length Package Of 2) (Not Included)	30	3387610	Belt, Drive	51		Front Panel (Includes Illus. 44)
9	W10121316	Clamp, Motor (2)	31	8529757	Bracket, Burner		W10180423	White
10	3387374	Spring, Idler	32	W10242878	Bracket, Motor		W10250670	Red
11	3389420	Retainer, Idler	33	3401401	Cord, Power		W10249726	Mercury
12		Plug, Multivent	34	49026	4" - 90° Elbow	52	696144	Strike, Door (2)
	49252	White	36	8563747	Exhaust Pipe & Bracket	Optional Parts Not Included		
	W10121316	Midnight Grey	37	8563750	Exhaust Pipe (Short)	Dryer Exhaust Kit (For Side & Bottom Venting)		
13	3388672	Pulley Assembly	38	8563749	Exhaust Pipe (Long)	53	279818	White
							W10186596	Midnight Grey



SECADORA WGD9550WL1



BENITO JUÁREZ #1500 GPE ZITON, CD. GUADALUPE NUEVO LEÓN TEL: 8183377999 Y 49
HORARIOS: LUNES A VIERNES 8:30 A 6:00 PM Y SÁBADOS DE 8:30 A 2:00 PM

www.denek.com

Illus. No.	Part No.	DESCRIPTION
1	8575324	Shaft, R.H. Thread
2	8066208	Clip-Spring
3	3394984	Door, Lint Screen
4	3406653	Harness, Sensor
5	3394346	Air Duct Assembly
6	697813	Seal, Outlet Housing
7	697814	Seal, Drum Front 8
	3934666	Nut, 3/8 x 16(R.H.)
9	W10128544	Cap, Plug
10	3402841	Lens, Drum Light
12	8572105	Clip, Exhaust Pipe
13	8533971	Screw, 8-18 x 5/16
14	W10044605	Coupling, Hose
15	693995	Screw, 8-18 x 3/8
16	W10001120	Nut, 3/8-16 (L.H.)
17	W10133857	Bulkhead, Rear
18	3387459	Washer, Support
19	8575325	Shaft, L.H. Thread
20	690997	Ring, Tri
21	8536973	Roller, Support
22	8563745	Exhaust Pipe
23	W10253352	Outlet Grill Housing Assembly (Includes Illus. 3,34,39,58,64)

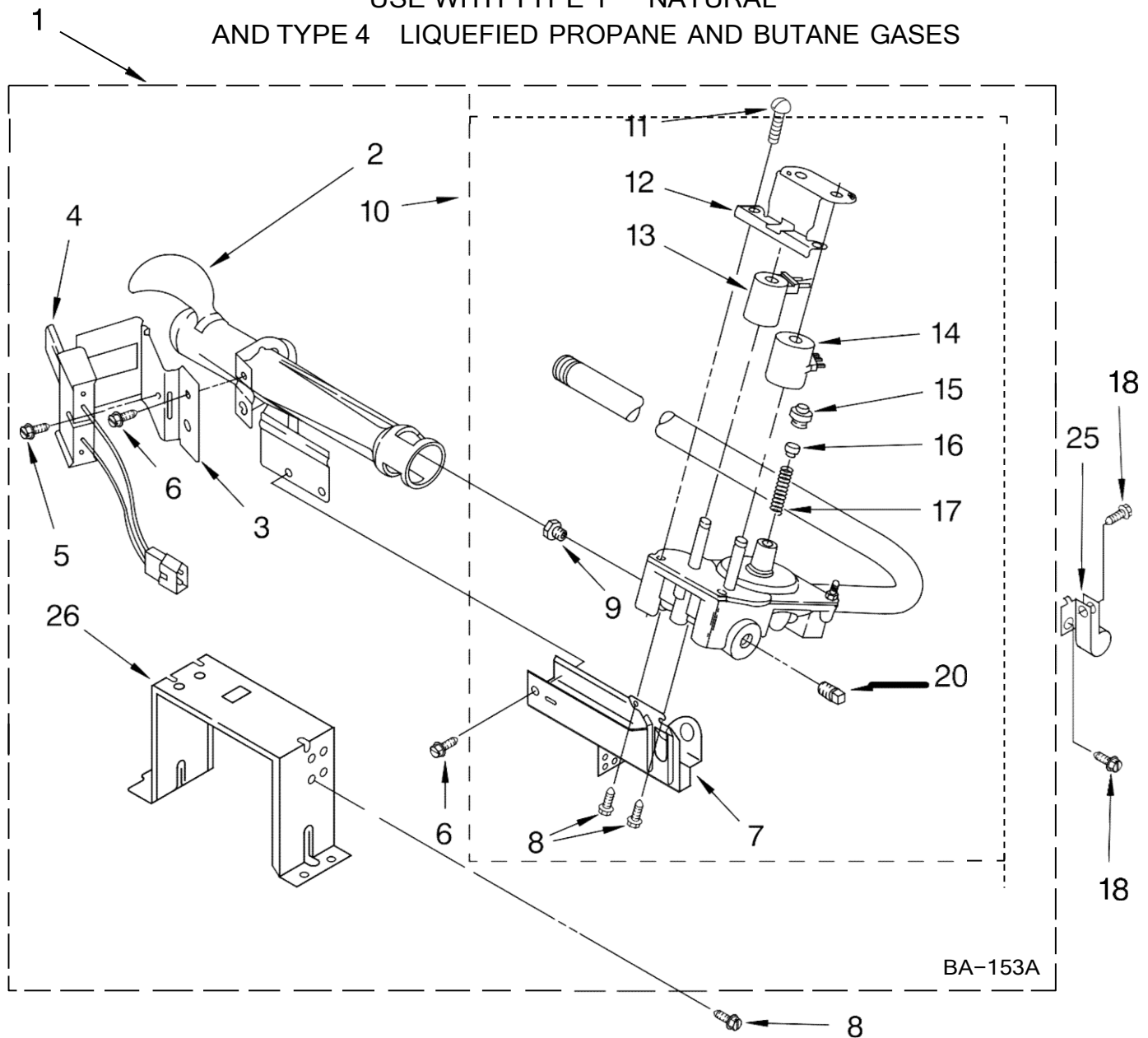
Illus. No.	Part No.	DESCRIPTION
24	8573713	Thermal, Cut-Off
25	W10181466	Complete Drum Assembly
26	W10219342	Screw, 8-16 x 3/4
27	W10166807	Seal, Drum
28	W10128629	Shield, Blower Housing (Includes Illus. 32)
29	90767	Screw, 8-18 x 3/8
30	3392519	Thermal-Fuse (91°C)
31	W10044615	Clip, Push-To-Start
32	3390647	Screw, 8-18 x 1/2
33	3406124	Bulb, Light
34	3387223	Electrode, Sensor
35	8578825	Bracket, Drum Light
36	W10214261	Socket Assembly
37	697772	Wheel, Blower
38	W10049370	Lint, Screen
39	3394986	Spring, Lint Screen Door
40	W10044596	Valve, Water Inlet (Includes Items, 14,29,31,52, 56,59 & 63)

Illus. No.	Part No.	DESCRIPTION
41	695240	Screw, 8-18 x 1/2
42	8577274	Thermistor
44	8544362	Housing, Blower (Includes Illus. 49.)
45	8066168	Lint Duct Assembly
46	8573824	Funnel, Burner
47	8573028	Thermostat, High-Limit 205F (96°C)
48	338906	Sensor, Radiant
49	489463	Screw, 8-18 x 5/8
50	3401710	Jumper, TCO Hi-Limit
51	3387230	Screw, 10-16 x 1
52	W10184825	Cover, Inlet Valve
53	697693	Baffle, Drum
54	W10252304	Bulkhead, Front (Includes Illus. 28 & 32)
55	W10044597	Bracket, Valve
56	W10044598	Hose
58	8299979	Grill, Outlet
59	3391018	Tie, Cable
60	697770	Seal, Cover Plate
61	W10044579	Washer, Nozzle
62	W10044628	Nut, Brass
63	W10044629	Nozzle & Screen Assembly
64	3394985	Outlet Housing



SECADORA WGD9550WL1

USE WITH TYPE 1 - NATURAL
AND TYPE 4 LIQUEFIED PROPANE AND BUTANE GASES





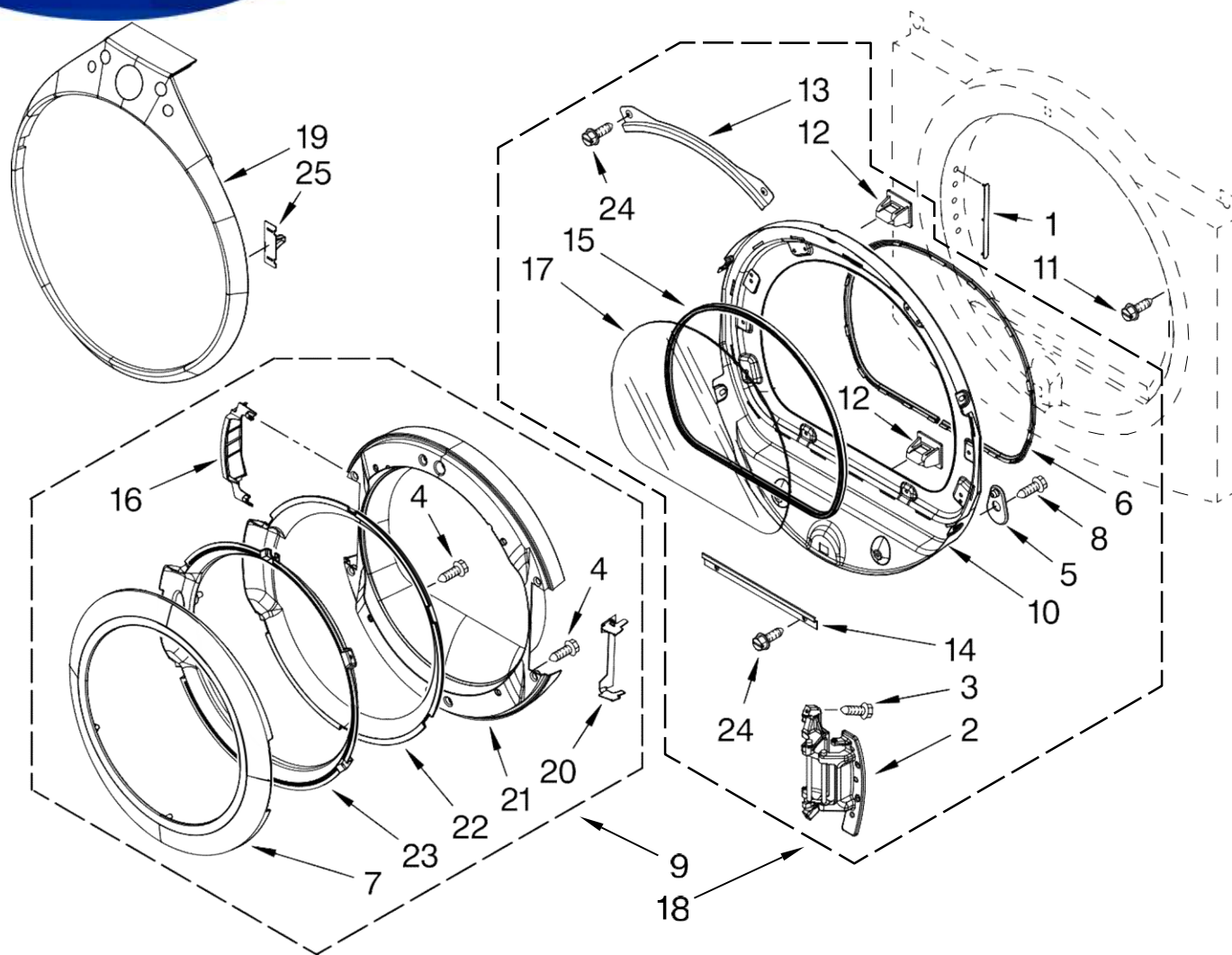
SECADORA WGD9550WL1

USE WITH TYPE 1 – NATURAL
AND TYPE 4 LIQUEFIED PROPANE AND BUTANE GASES

Illus. No.	Part No.	DESCRIPTION
1	8576353	Burner Assembly 60 Hz. (Type 1) (White Rodgers)
2	688617	Tube, Burner
3	694298	Bracket, Ignitor
4	686590	Ignitor
5	3393909	Screw & Washer (8–32 x 7/8)
6	343641	Screw, 10–16 x 1/2
7	3389871	Base, Burner
8	3387057	Screw, 8–18 x 3/8
9		Orifice, Burner
	15418	Type 1
	15422	Type 4 (Butane)
	234867	Type 4 (Propane)
10	W10118347	Valve, Gas 60 Hz. (Complete) (Includes Pipe & Illus. #7).
11	694421	Screw, 8–32 x 1/2 (2)
12	694538	Bracket, Coil
13	694540	Coil, 60 Hz. (2 Terminal) (Main)
14	694539	Coil, 60 Hz. (Split) (3 Terminal) (Pilot Position)
15	694424	Leak, Limiter
16	694423	Screw, Regulator Adjustment
17	694422	Spring, Regulator
18	3390647	Screw, 8–18 x 1/2
20	239822	Plug, Pipe
25	3387561	Clamp, Pipe
26	3389889	Bracket, Support

Following Parts Not Illustrated

8576846 Conversion Kit
(Type 1)
to Type (4) LPG).



Illus. No.	Part No.	DESCRIPTION
1	W10085210	Label, Hinge Hole
2	W10139920	Door Hinge Assembly
3	W10159996	Screw, 10-24 x 3/64
4	9742177	Screw, 8-18 x 5/8
5	W10048910	Screw-Plug
6	W10139457	Seal-Door
7	8579502	Handle, Ring Door
8	3400224	Screw, 10-16 x 1/2
9	W10180115	Door Assembly (Outer)
10	8578229	Inner Door (Includes Illus. 12)

Illus. No.	Part No.	DESCRIPTION
11	355515	Screw, 8-18 x 11/16
12	690081	Door Catch Assembly
13	8519356	Retainer-Window (Upper)
14	8519354	Retainer-Window (Lower)
15	8579662	Gasket, Window
16	W10180119	Cover-Hinge
17	8566254	Window

Illus. No.	Part No.	DESCRIPTION
19		Tear-drop Trim & Clip Assembly
	W10246600	White
	W10249767	Red
	W10249765	Mercury
20	W10180120	Door Shield
21	W10180118	Door, Intermediate
22	W10180117	Door Mask
23	8578155	Door Screen
24	3393258	Screw, 10-16 x 3/8
25	W10129065	Clip, Trim (8)
18	8577819	Inner Door Assembly (Includes Illus. 2,3,5,6,8,10,12,13,14,15,17,24)

OPTIONAL PARTS (NOT INCLUDED)

For Models: WGD9550WW1, WGD9550WL1, WGD9550WR1
(White) (Mercury) (Red)

Illus. No.	Part No.	DESCRIPTION
-------------------	-----------------	--------------------

PAINT, TOUCH-UP (1/2oz.)

72017 White
72032 Black
4392899 Biscuit
W10162090 Chestnut
W10218247 Magna Red Gloss
8212605 Ultimate Silver

PAINT, PRESSURIZED SPRAY (12 oz.)

350930 White
350939 Black
4392901 Biscuit
350938 Primer, Gray

PAINT, BULK (1 qt.)

799344 White (Uncut)
4392900 Biscuit (Uncut)
799340 Black (Uncut)

ACCESSORY PARTS

8529894 Kit,
Hold Down
8579666A Kit,
Door Reversing
8541503 Kit,
Stack Assembly
80047 Kit,
Dryer Repair
8521957 Dry Rack

FOLLOWING PARTS NOT ILLUSTRATED

W10044609 Bag Assembly
(Contains
The Following
76314 (Hose Inlet)
6' Hose With Elbow
W10044603 (Hose Inlet)
1' Hose
W10242307 Washer
W10044604 Connector Hose