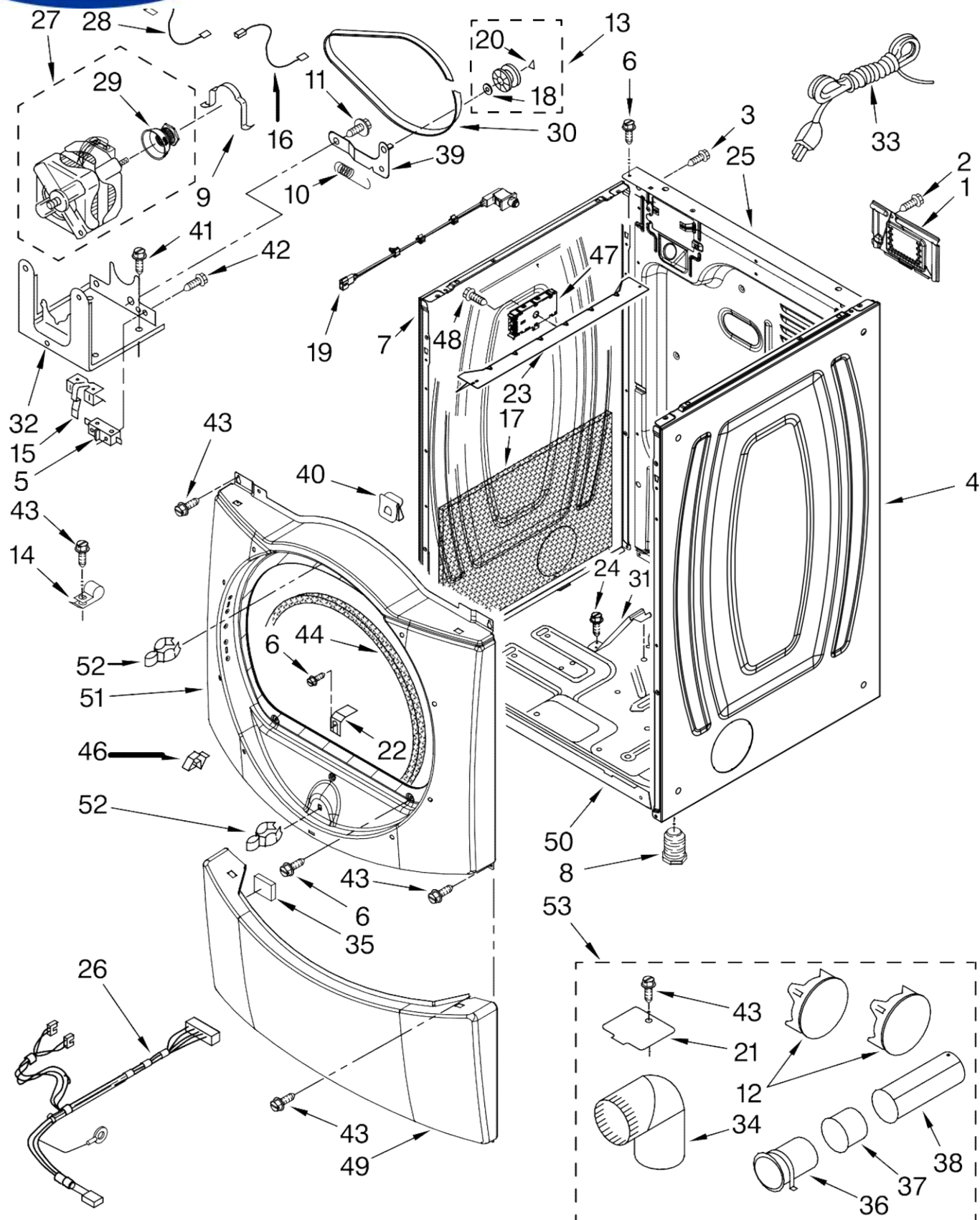


Illus. No.	Part No.	DESCRIPTION	Illus. No.	Part No.	DESCRIPTION	Illus. No.	Part No.	DESCRIPTION
1		Literature Parts	6	W10215656	Bracket, Console (Includes No.12)	22	W10250089	Knob, Light Ring (Includes: Illus. 21)
	W10244607	Use & Care Guide	7	W10112268	Clip, Harness(4)	23	W10012810	Rast, Wheel Assy. (Service Only With Item. 28)
	W10251194	Tech Sheet	8	94614	Terminal	24	W10012460	Detent Wheel (Service Only With Item. 28)
	W10139322	Sheet-Tip	9	3936144	Plug, Terminal	25	W10095960	Harness, Communication
	W10224610	Steam Dry Installation Instructions	10	W10117943	Badge	26	W10012820	Knob, Spring (Service Only With Item. 28)
2		Top	11	3390647	Screw, 8-18 x 1/2	27	W10190685	Knob, Timer (Includes: Item. 21)
	3980634	White	12	W10112267	Foam-Seal	28	W10012480	Encoder, Wheel Kit (Includes Items: 23, 24 & 26)
	W10249738	Red	13	W10030070	Array-Power	29	W10111020	Power Cable, User-Interface
	W10249739	Mercury	14	3936150	Connector, 7-Circuit			
3	W10181775	Harness, Main	15	3395683	Connector, (Motor)			
4		Panel, Console (Includes Illus: 10,20,21,22,27 & 28)	16	98139	Screw, 8-32 x 5/16			
	W10246596	White	17	2203186	Connector, 5-Circuit			
	W10251606	Red	18	W10248084	User-Interface (Right)			
	W10251598	Mercury	19	W10110658	User-Interface Center (Includes Illus: 13.)			
5	3391018	Tie, Cable	20	W10012430	Encoder-Wheel			
			21	W10012440	Retainer-Snap			



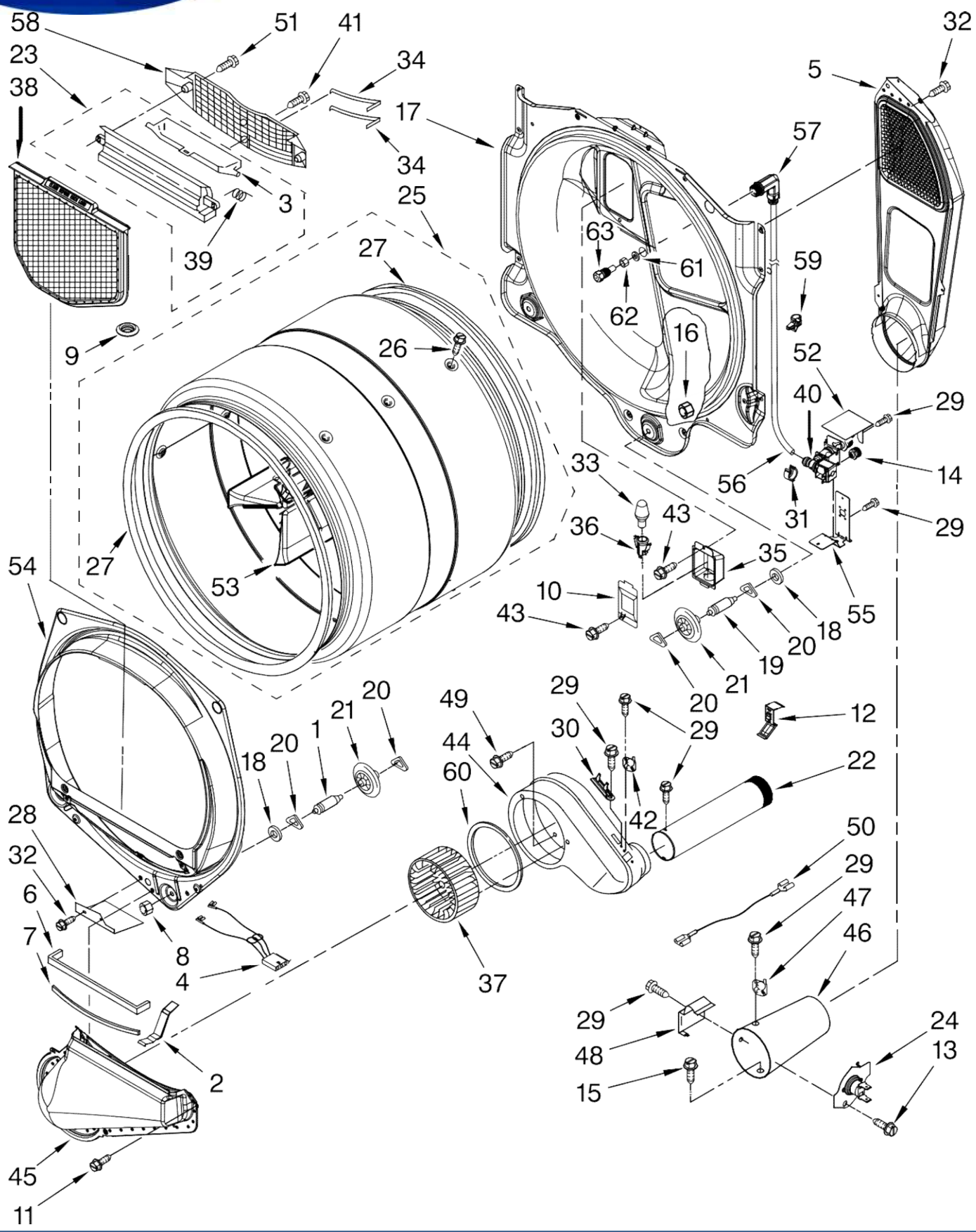


SECADORA WGD9550WR0

Illus. No.	Part No.	DESCRIPTION	Illus. No.	Part No.	DESCRIPTION	Illus. No.	Part No.	DESCRIPTION
1	8317340	Cover, Terminal Block	16	W10167612	Wire, Belt Switch	39	3388674	Idler Bracket
2	3390814	Screw, 8-18 x 3/8	17	W10128772	Sound Panel	40	62825	Clip, S Type
3	8533974	Screw, Ground	18	W10121334	Washer	41	343641	Screw, 10-16x1/2
4		Panel, Side (R.H.)	19	W10128087	Assembly, Door Switch	42	98129	Screw, 6-20 x 1 1/16
	W10192446	White	20	690997	Tri Ring	43	3390647	Screw, 8-18 x 1/2
	W10249769	Red	21	8066115	Cover-Plate	44	3387242	Seal, Front Panel
	W10249725	Mercury	22	8529053	Ramp, Door	46	8519459	Clip, Toe Panel
5	3394881	Switch, Broken Belt	23	8563727	Bracket, Control	47	W10169969	Board, Control
6	3357011	Screw, 10-16 x 1/2	24	693995	Screw, 8-18 x 3/8	48	90767	Screw, 8-18 x 3/8
7		Panel, Side (L.H.)	25	W10181460	Panel, Rear	49		Panel, Toe
	W10192435	White	26	W10181464	Harness, Digital Interface		W10116271	White
	W10249768	Red	27	8538263	Motor Assembly 60 HZ.		W10250673	Red
	W10249727	Mercury	28	3398948	Wire, Jumper (Broken Belt Switch)	50	W10239098	Base, Cabinet
8	3392100	Foot, Dryer	29	8578220	Pulley 60 HZ.	51		Front Panel (Includes Illus. 44)
	279810	Foot - Optional (Extended Length Package Of 2) (Not Included)	30	3387610	Belt, Drive		W10180423	White
9	W10121316	Clamp, Motor (2)	31	8529757	Bracket, Burner		W10250670	Red
10	3387374	Spring, Idler	32	3387118	Bracket, Motor		W10249726	Mercury
11	3389420	Retainer, Idler	33	3401401	Cord, Power	52	696144	Strike, Door (2)
12		Plug, Multivent	34	49026	4" - 90° Elbow	Optional Parts Not Included		
	697750	White	35	3389682	Space, Toe Panel	Dryer Exhaust Kit (For Side & Bottom Venting)		
	W10121316	Midnight Grey	36	8563747	Exhaust Pipe & Bracket			
13	3388672	Pulley Assembly	37	8563750	Exhaust Pipe (Short)			
14	3978776	Bracket, Gas Pipe	38	8563749	Exhaust Pipe (Long)	53	279818	White
15	8066120	Lever, Snap Switch					W10186596	Midnight Grey



SECADORA WGD9550WR0



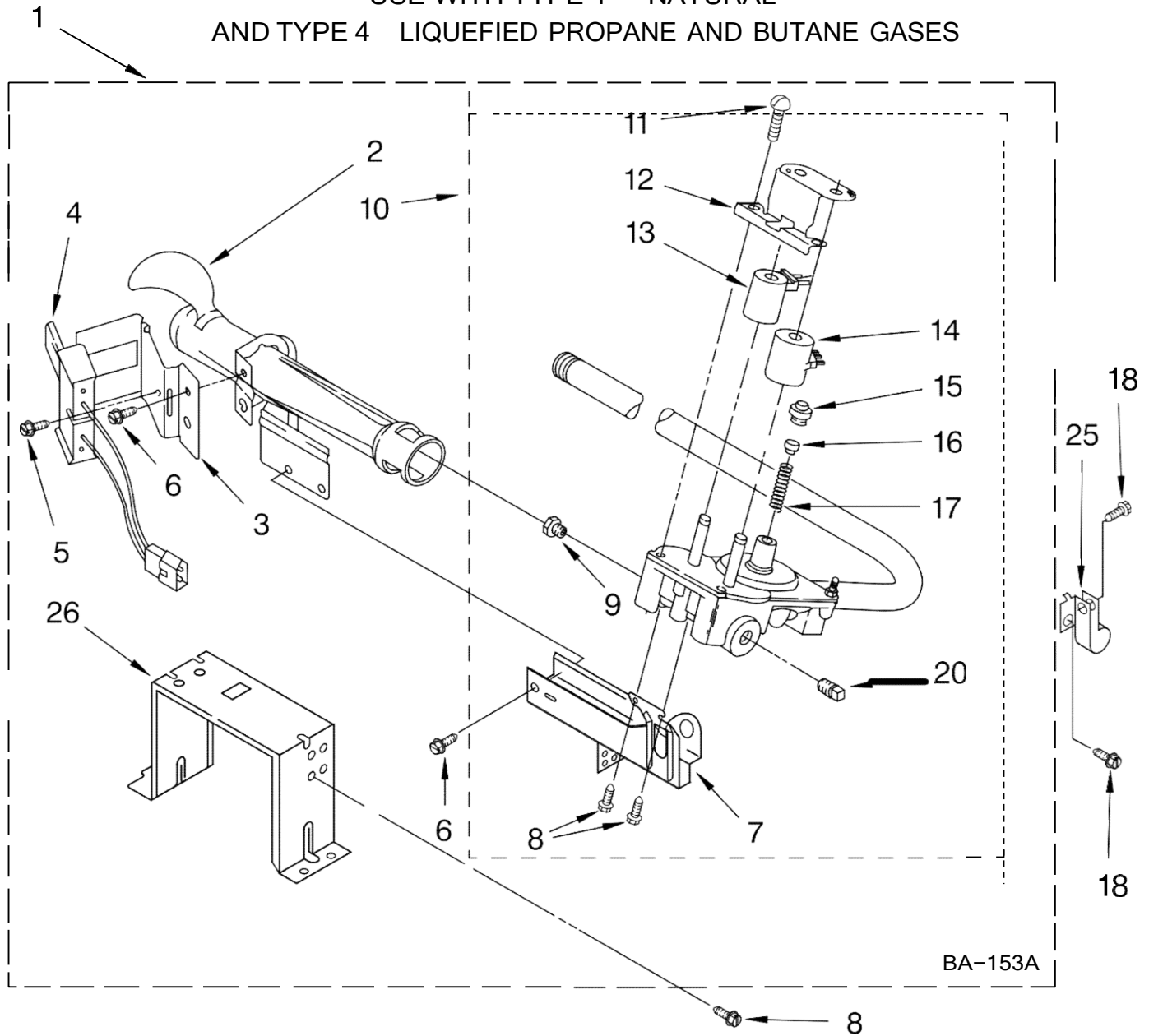
BENITO JUÁREZ #1500 GPE ZITON, CD. GUADALUPE NUEVO LEÓN TEL: 8183377999 Y 49
HORARIOS: LUNES A VIERNES 8:30 A 6:00 PM Y SÁBADOS DE 8:30 A 2:00 PM
www.denek.com

Illus. No.	Part No.	DESCRIPTION
1	8575324	Shaft, R.H. Thread
2	8066208	Clip-Spring
3	3394984	Door, Lint Screen
4	3406653	Harness, Sensor
5	3394346	Air Duct Assembly
6	697813	Seal, Outlet Housing
7	697814	Seal, Drum Front 8
	3934666	Nut, 3/8 x 16(R.H.)
9	W10128544	Cap, Plug
10	3402841	Lens, Drum Light
11	359625	Screw, 8-18 x 1/2
12	8572105	Clip, Exhaust Pipe
13	8533971	Screw, 8-18 x 5/16
14	W10044605	Coupling, Hose
15	693995	Screw, 8-18 x 3/8
16	W10001120	Nut, 3/8-16 (L.H.)
17	W10133857	Bulkhead, Rear
18	3387459	Washer, Support
19	8575325	Shaft, L.H. Thread
20	690997	Ring, Tri
21	8536973	Roller, Support
22	8563745	Exhaust Pipe
23	3394985	Housing, Outlet
24	8573713	Thermal, Cut-Off
25	W10181466	Complete Drum Assembly

Illus. No.	Part No.	DESCRIPTION
26	W10219342	Screw, 8-16 x 3/4
27	W10166807	Seal, Drum
28	W10128629	Shield, Blower Housing (Includes Illus. 32)
29	90767	Screw, 8-18 x 3/8
30	3392519	Thermal-Fuse (91°C)
31	W10044615	Clip, Push-To-Start
32	3390647	Screw, 8-18 x 1/2
33	3406124	Bulb, Light
34	3387223	Electrode, Sensor
35	8578825	Bracket, Drum Light
36	W10136369	Socket Assembly
37	697772	Wheel, Blower
38	W10049370	Lint, Screen
39	3394986	Spring, Lint Screen Door
40	W10044596	Valve, Water Inlet (Includes Items, 29,52,55 & 65)
41	695240	Screw, 8-18 x 1/2
42	8577274	Thermistor
43	487909	Screw, 8-15 x 1/2
44	8544362	Housing, Blower (Includes Illus. 49.)
45	8066168	Lint Duct Assembly

Illus. No.	Part No.	DESCRIPTION
46	8573824	Funnel, Burner
47	8573028	Thermostat, High-Limit 205F (96°C)
48	338906	Sensor, Radiant
49	489463	Screw, 8-18 x 5/8
50	3401710	Jumper, TCO Hi-Limit
51	3387230	Screw, 10-16 x 1
52	W10184825	Cover, Inlet Valve
53	697693	Baffle, Drum
54	8519245	Bulkhead, Front (Includes Illus. 28 & 32)
55	W10044597	Bracket, Valve
56	W10044598	Hose (Not Servicable Included With Illus. 57)
57	W10179730	Nozzle & Hose Assembly (Includes Items, 59,61,62 & 63)
58	8299979	Grill, Outlet
59	3391018	Tie, Cable
60	697770	Seal, Cover Plate
61	W10044579	Washer, Nozzle
62	W10044628	Nut, Brass
63	W10044629	Nozzle & Screen Assembly

USE WITH TYPE 1 - NATURAL
AND TYPE 4 LIQUEFIED PROPANE AND BUTANE GASES

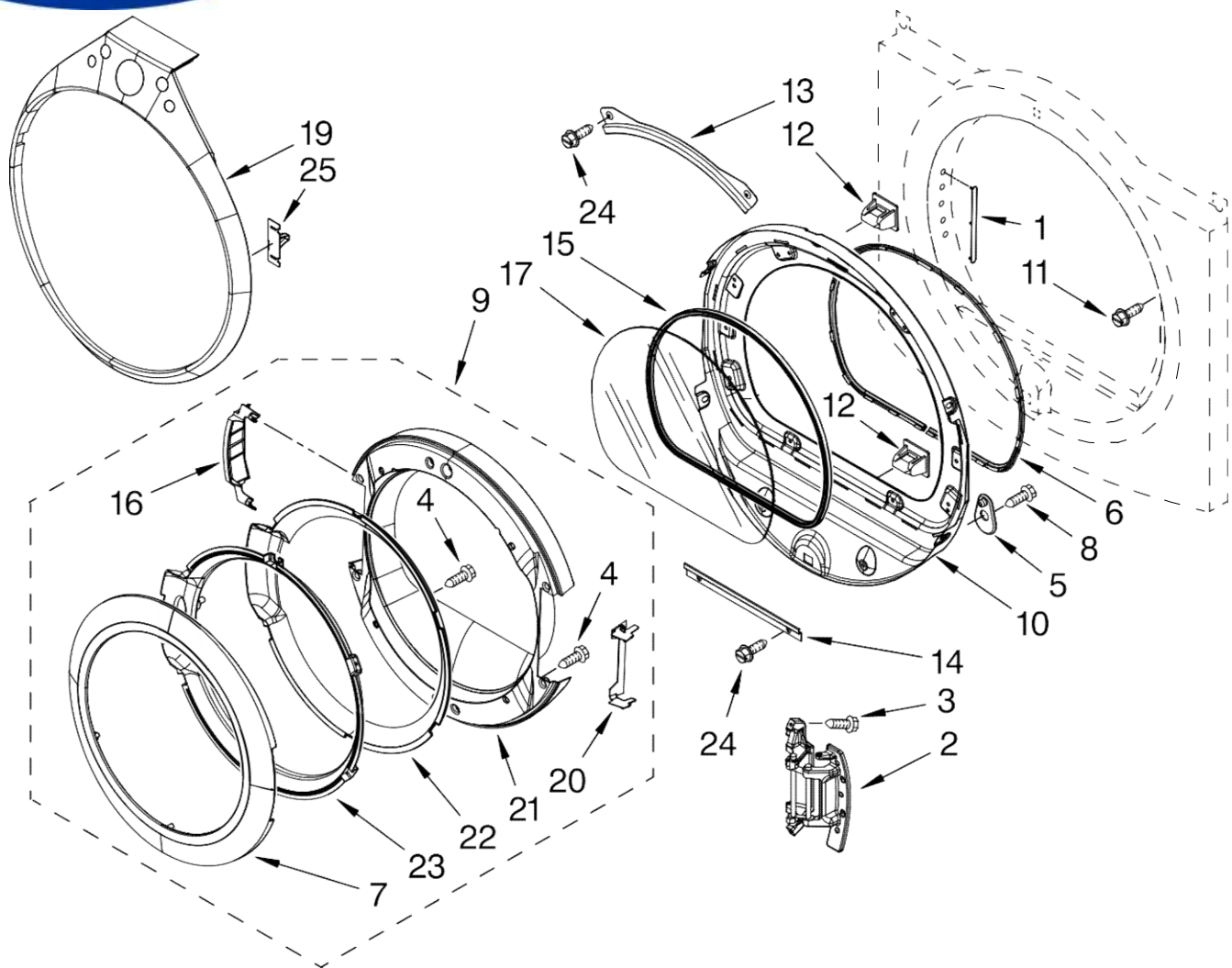


USE WITH TYPE 1 – NATURAL
AND TYPE 4 LIQUEFIED PROPANE AND BUTANE GASES

Illus. No.	Part No.	DESCRIPTION
1	8576353	Burner Assembly 60 Hz. (Type 1) (White Rodgers)
2	688617	Tube, Burner
3	694298	Bracket, Ignitor
4	686590	Ignitor
5	3393909	Screw & Washer (8-32 x 7/8)
6	343641	Screw, 10-16 x 1/2
7	3389871	Base, Burner
8	3387057	Screw, 8-18 x 3/8
9		Orifice, Burner
	15418	Type 1
	15422	Type 4 (Butane)
	234867	Type 4 (Propane)
10	W10118347	Valve, Gas 60 Hz. (Complete) (Includes Pipe & Illus. #7).
11	694421	Screw, 8-32 x 1/2 (2)
12	694538	Bracket, Coil
13	694540	Coil, 60 Hz. (2 Terminal) (Main)
14	694539	Coil, 60 Hz. (Split) (3 Terminal) (Pilot Position)
15	694424	Leak, Limiter
16	694423	Screw, Regulator Adjustment
17	694422	Spring, Regulator
18	3390647	Screw, 8-18 x 1/2
20	239822	Plug, Pipe
25	3387561	Clamp, Pipe
26	3389889	Bracket, Support

Following Parts Not Illustrated

8576846 Conversion Kit
(Type 1)
to Type (4) LPG).



Illus. No.	Part No.	DESCRIPTION
1	W10085210	Label, Hinge Hole
2	W10139920	Door Hinge Assembly
3	W10159996	Screw, 10-24 x 3/64
4	9742177	Screw, 8-18 x 5/8
5	W10048910	Screw-Plug
6	W10139457	Seal-Door
7	8579502	Handle, Ring Door
8	3400224	Screw, 10-16 x 1/2
9		Door Assembly (Outer)
10	8578229	Door Assembly (Inner) (Includes Illus. 12)

Illus. No.	Part No.	DESCRIPTION
11	355515	Screw, 8-18 x 11/16
12	690081	Door Catch Assembly
13	8519356	Retainer-Window (Upper)
14	8519354	Retainer-Window (Lower)
15	8579662	Gasket, Window
16	W10180119	Cover-Hinge, Stationary (LH) (Following Parts Not Included)
	W10181197	Cover-Hinge Stationary (RH)

Illus. No.	Part No.	DESCRIPTION
17	8566254	Window
19		Tear-drop Trim & Clip Assembly
	W10246600	White
	W10249767	Red
	W10249765	Mercury
20	W10180120	Door Shield
21	W10180118	Door, Intermediate
22	W10180117	Door Mask
23	8578155	Door Screen
24	3393258	Screw, 10-16 x 3/8
25	W10129065	Clip, Trim (8)

OPTIONAL PARTS (NOT INCLUDED)

For Models: WGD9550WW0, WGD9550WL0, WGD9550WR0
(White) (Mercury) (Red)

Illus. No.	Part No.	DESCRIPTION
-------------------	-----------------	--------------------

PAINT, TOUCH-UP (1/2oz.)

72017 White
72032 Black
4392899 Biscuit
W10162090 Chestnut
W10218247 Magna Red Gloss
8212605 Ultimate Silver

PAINT, PRESSURIZED SPRAY (12 oz.)

350930 White
350939 Black
4392901 Biscuit
350938 Primer, Gray

PAINT, BULK (1 qt.)

799344 White (Uncut)
4392900 Biscuit (Uncut)
799340 Black (Uncut)

ACCESSORY PARTS

8529894 Kit,
Hold Down
8579666A Kit,
Door Reversing
8541503 Kit,
Stack Assembly
80047 Kit,
Dryer Repair
8521957 Dry Rack

FOLLOWING PARTS NOT ILLUSTRATED

W10044609 Bag Assembly
(Contains
The Following
76314 (Hose Inlet)
6' Hose With Elbow
W10044603 (Hose Inlet)
1' Hose
W10242307 Washer
W10044604 Connector Hose