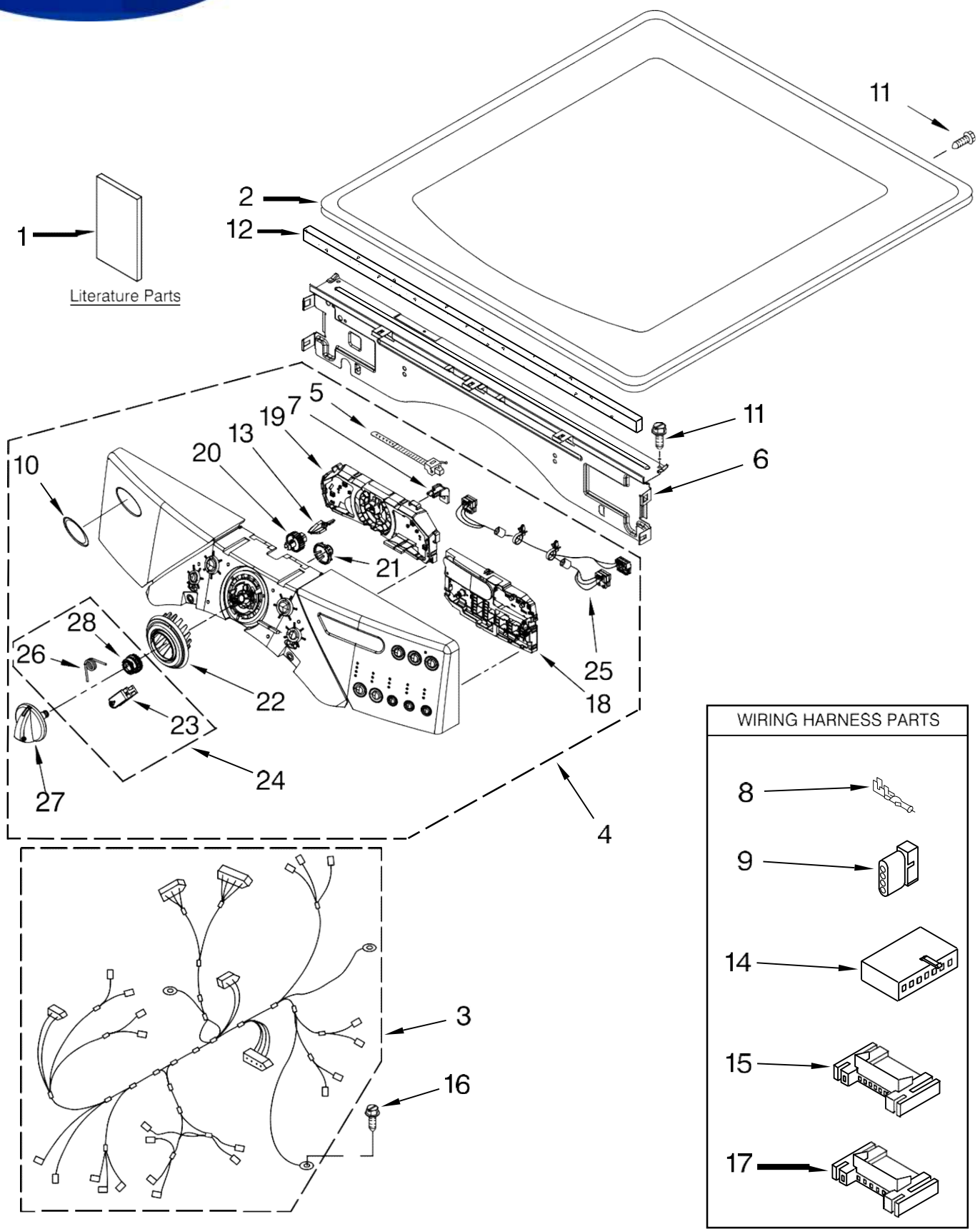




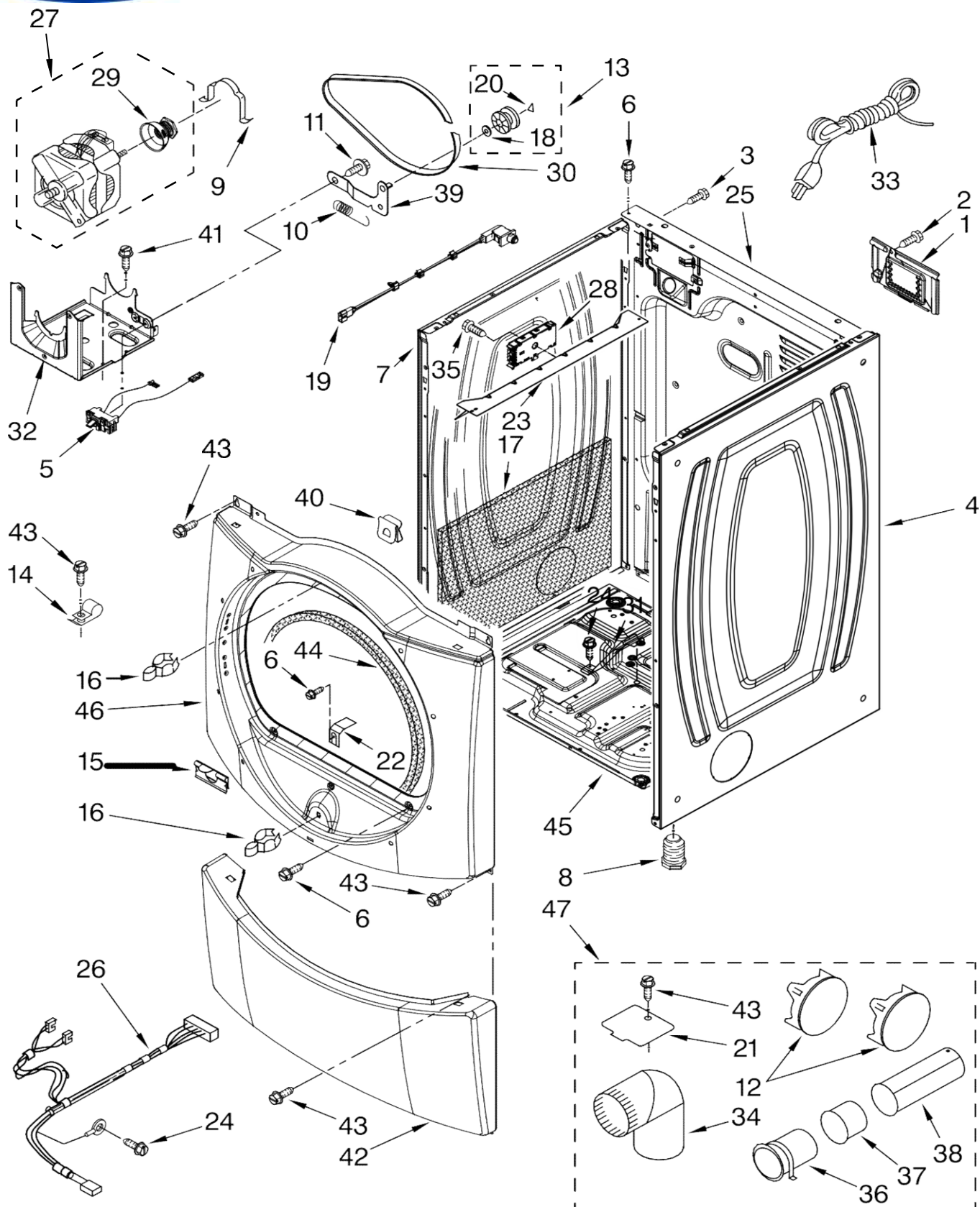
SECADORA WGD9550WR2





SECADORA WGD9550WR2

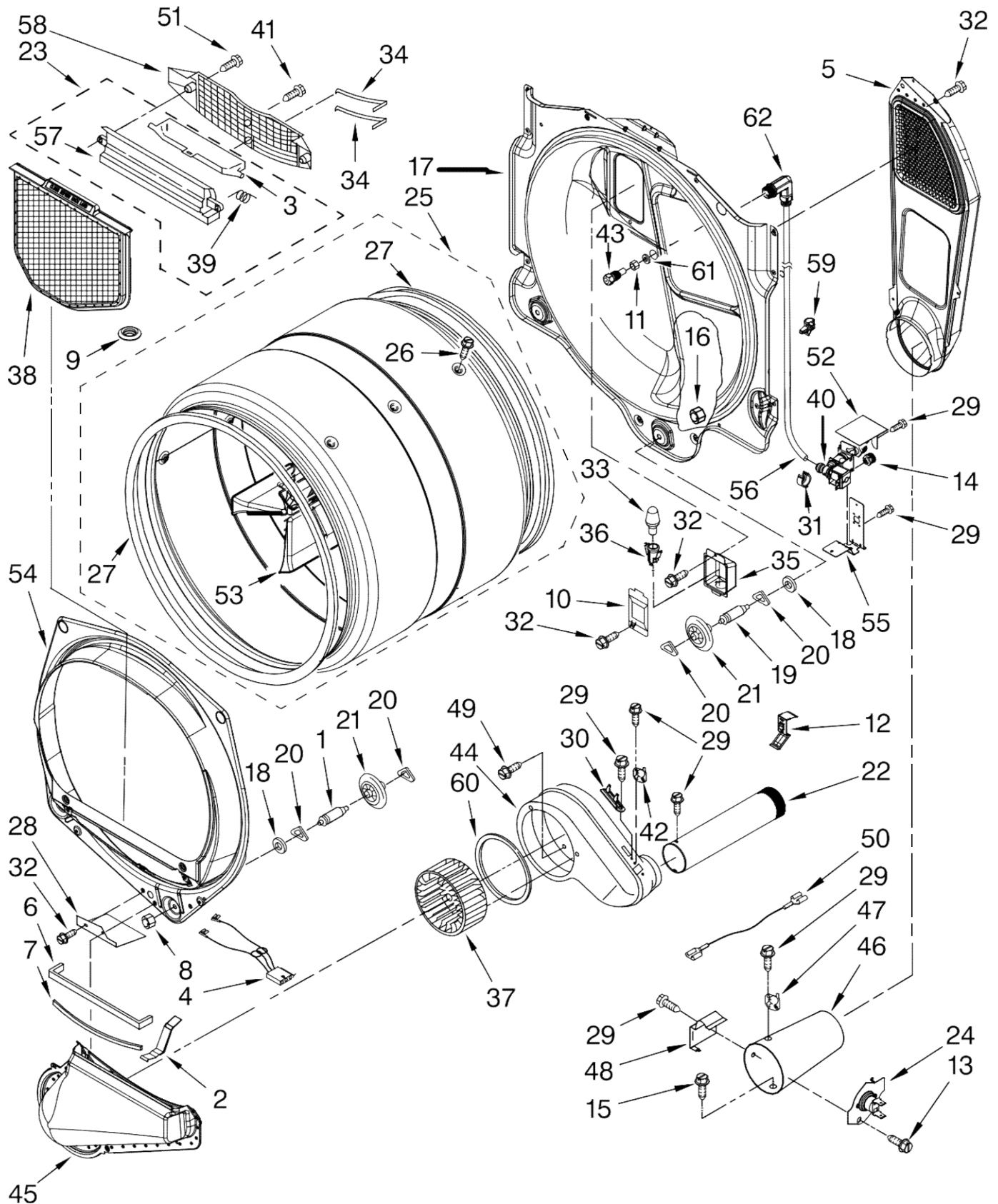
Illus. No.	Part No.	DESCRIPTION	Illus. No.	Part No.	DESCRIPTION	Illus. No.	Part No.	DESCRIPTION
1		Literature Parts	6	W10215656	Bracket, Console	21	W10012440	Retainer-Snap
	W10244607	Use & Care Guide			(Include,	22	W10250089	Knob, Light Ring
	W10258369	Tech Sheet			Item. 12)			(Include,
	W10255469	Installation Instructions	7	W10112268	Clip, Harness(4)			Item. 21)
2		Top	8	94614	Terminal	23	W10012810	Rast, Wheel Assy.
	3980634	White	9	3936144	Plug, Terminal			(Service Only
	W10249738	Red	10	W10117943	Badge			With Item. 24)
	W10249739	Mercury	11	3390647	Screw, 8-18 x 1/2	24	W10012480	Encoder Wheel
3	W10111069	Harness, Main	12	W10112267	Foam-Seal			Kit (Include,
4		Panel, Console	13	W10030070	Array-Power			Item. 23 & 26)
		(Include Items,	14	3936150	Connector,	25	W10242906	Harness,
		5,7,10,13,18,19,			7-Circuit			Communication
		20,21,22,24,25	15	3395683	Connector,	26	W10012820	Knob, Spring
		& 27)			(Motor)			(Service Only
	W10255229	White	16	693995	Screw 8-18 x 3/8			With Item. 24)
	W10255231	Red	17	2203186	Connector,	27	W10190685	Knob, Timer
	W10255230	Mercury			5-Circuit			(Include,
5	3391018	Tie, Cable	18	W10279773	User-Interface	28	W10012460	Detent Wheel
					(Right)			(Service Only
			19	W10279709	User-Interface			with item. 24)
					Center			
					(Include,			
					Item. 13)			
			20	W10012430	Encoder-Wheel			





SECADORA WGD9550WR2

Illus. No.	Part No.	DESCRIPTION	Illus. No.	Part No.	DESCRIPTION	Illus. No.	Part No.	DESCRIPTION
1	8317340	Cover, Terminal Block	14	3978776	Bracket, Gas Pipe	38	8563749	Exhaust Pipe (Long)
2	3390814	Screw, 8-18 x 3/8	15	8519459	Clip, Toe Panel	39	3388674	Idler Bracket
3	8533974	Screw, Ground	16	696144	Strike, Door (2)	40	62825	Clip, S Type
4		Panel, Side (R.H.)	17	W10123956	Sound Panel	41	343641	Screw, 10-16x1/2
	W10192446	White	18	W10121334	Washer	42		Toe Panel
	W10249769	Red	19	W10128087	Assembly, Door Switch		W10246269	White
	W10249725	Mercury	20	690997	Tri Ring		W10259607	Red
5	W10246525	Switch, Broken Belt	21	8066115	Cover-Plate		W10259606	Mercury
6	3357011	Screw, 10-16 x 1/2	22	8529053	Ramp, Door	43	3390647	Screw, 8-18 x 1/2
7		Panel, Side (L.H.)	23	8563727	Bracket, Control	44	3387242	Seal, Front Panel
	W10192435	White	24	693995	Screw, 8-18 x 3/8	45	W10239098	Base, Cabinet
	W10249768	Red	25	W10244142	Panel, Rear	46		Front Panel (Include, Item. 44)
	W10249727	Mercury	26	W10242903	Harness, Digital Interface		W10180423	White
8	3392100	Foot, Dryer	27	8538263	Motor Assembly 60 HZ.		W10250670	Red
	279810	Foot - Optional (Extended Length Package Of 2) (Not Included)	28	W10256719	Control Board		W10249726	Mercury
9	660658	Clamp, Motor (2)	29	8578220	Pulley 60 HZ.	Optional Parts Not Included		
10	3387374	Spring, Idler	30	3387610	Belt, Drive	Dryer Exhaust Kit (For Side & Bottom Venting)		
11	3389420	Retainer, Idler	31	8529757	Bracket, Burner			
12		Plug, Multivent	32	W10242878	Bracket, Motor			
	49252	White	33	3401401	Cord, Power			
	W10151499	Midnight Grey	34	49026	4" - 90 Elbow			
13	3388672	Pulley Assembly	35	90767	Screw, 8-18 x 3/8	47	279818	White
			36	8563747	Exhaust Pipe & Bracket		W10186596	Midnight Grey
			37	8563750	Exhaust Pipe (Short)			





SECADORA WGD9550WR2

Illus. No.	Part No.	DESCRIPTION
1	8575324	Shaft, R.H. Thread
2	8066208	Clip-Spring
3	W10153413	Door, Lint Screen
4	3406653	Harness, Sensor
5	3394346	Air Duct Assembly
6	697813	Seal, Outlet Housing
7	697814	Seal, Drum Front
	3934666	Nut, 3/8 x 16 (R.H.)
9	W10128544	Cap, Plug
10	3402841	Lens, Drum Light
11	W10044628	Nut, Brass
12	8572105	Clip, Exhaust Pipe
13	8533971	Screw, 8-18 x 5/16
14	W10044605	Coupling, Hose
15	693995	Screw, 8-18 x 3/8
16	W10001120	Nut, 3/8-16 (L.H.)
17	W10133857	Bulkhead, Rear
18	3387459	Washer, Support
19	8575325	Shaft, L.H. Thread
20	690997	Ring, Tri
21	8536973	Roller, Support
22	8563745	Exhaust Pipe
23	W10153423	Outlet Grille Housing Assembly (Include Items, 3,39 & 57)

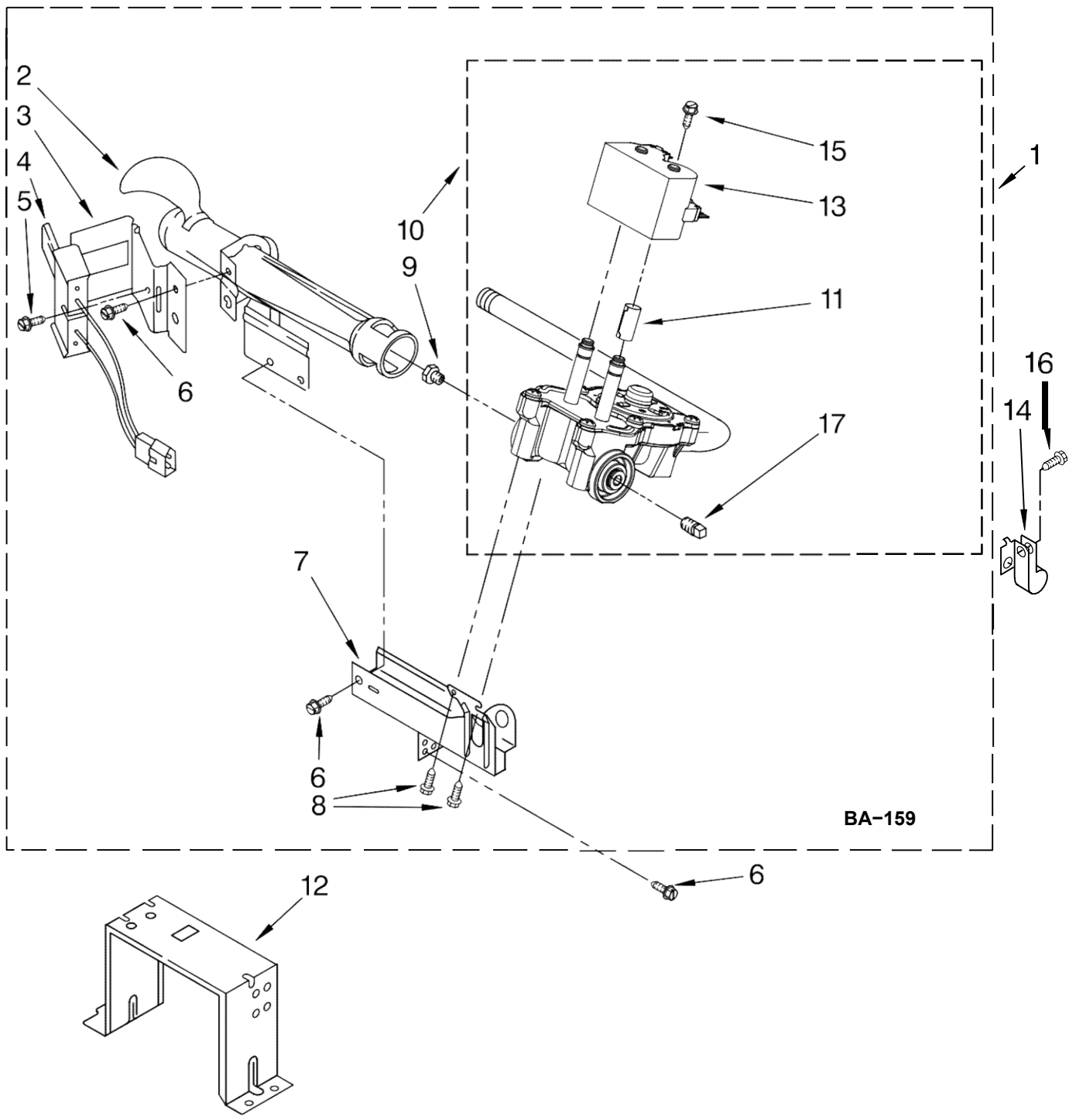
Illus. No.	Part No.	DESCRIPTION
24	8573713	Thermal, Cut-Off
25	W10181466	Complete Drum Assembly
26	W10219342	Screw, 8-16 x 3/4
27	W10166807	Seal, Drum
28	W10128629	Shield, Blower Housing (Include, Item. 32)
29	90767	Screw, 8-18 x 3/8
30	3392519	Thermal-Fuse (91°C)
31	W10044615	Clip, Push-To-Start
32	3390647	Screw, 8-18 x 1/2
33	3406124	Bulb, Light
34	3387223	Electrode, Sensor
35	8578825	Bracket, Drum Light
36	W10214261	Socket Assembly
37	697772	Wheel, Blower
38	W10049370	Lint, Screen
39	3394986	Spring, Lint Screen Door
40	W10044596	Valve, Water Inlet (Includes Items, 14,29,52 & 55)
41	695240	Screw, 8-18 x 1/2
42	8577274	Thermistor
43	W10277503	Nozzle & Screen Assembly

Illus. No.	Part No.	DESCRIPTION
44	8544362	Housing, Blower (Include, Item. 49)
45	8066168	Lint Duct Assembly
46	8573824	Funnel, Burner
47	3391912	Thermostat, High-Limit 205F (96°C)
48	338906	Sensor, Radiant
49	489463	Screw, 8-18 x 5/8
50	3401710	Jumper, TCO Hi-Limit
51	3387230	Screw, 10-16 x 1
52	W10184825	Cover, Inlet Valve
53	697693	Baffle, Drum
54	W10252304	Bulkhead, Front (Include Items, 28 & 32)
55	W10044597	Bracket, Valve
56	W10044598	Hose (Not Serviceable Included With Item. 62)
57	W10153414	Outlet Housing
58	W10153412	Grille, Outlet
59	3391018	Tie, Cable
60	697770	Seal, Cover Plate
61	W10044579	Washer, Nozzle
62	W10154995	Nozzle & Hose Assembly (Include Items, 11,43,59 & 61)



SECADORA WGD9550WR2

USE WITH TYPE 1 – NATURAL, TYPE 2 – MIXED,
AND TYPE 4 – LIQUEFIED PROPANE AND BUTANE GASES

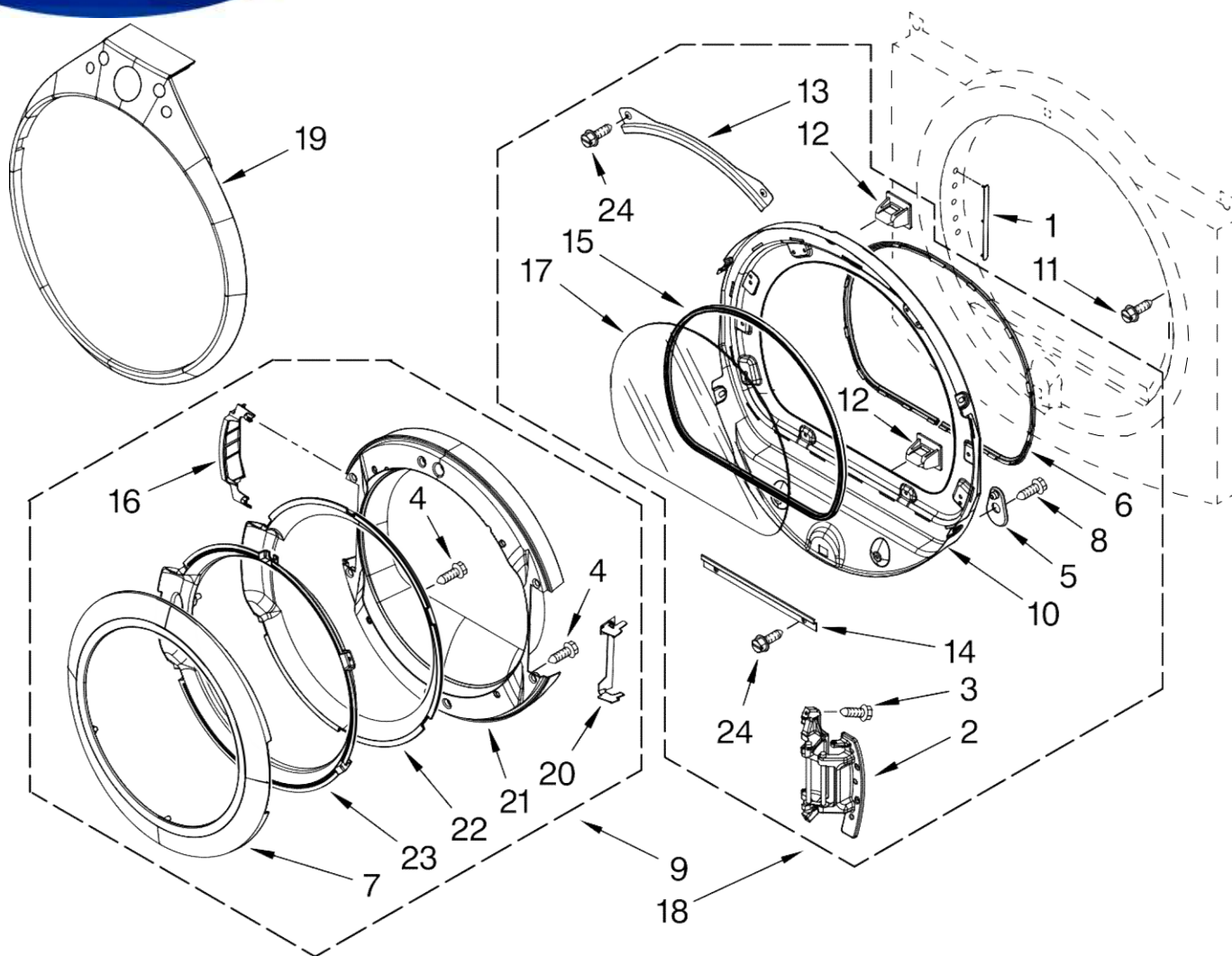


USE WITH TYPE 1 – NATURAL, TYPE 2 – MIXED,
AND TYPE 4 – LIQUEFIED PROPANE AND BUTANE GASES

Illus. No.	Part No.	DESCRIPTION
1	W10293911	Burner Assembly 60 Hz. (Type 1 & 2)
2	688617	Tube, Burner
3	694298	Bracket, Ignitor
4	686590	Ignitor
5	3393909	Screw & Washer (8-32 x 5/8)
6	343641	Screw, 10-16 x 1/2
7	3389871	Base, Burner
8	3387057	Screw, 8-18 x 3/8 (3)
9	15418	Orifice, Burner Type 1
10	W10175144	Valve, Gas 60 Hz. (Complete) (Includes Pipe & Illus. No. 7)
11	W10295524	Sleeve-Magnetic
12	3389889	Bracket, Support
13	W10273784	Coil, 60 Hz.
14	3978776	Clamp, Pipe
15	326049536	Screw, Coil
16	3390647	Screw, 8-18 x 1/2
17	W10295523	Plug, Pipe

Following Parts Not Illustrated

W10293913 Conversion Kit
(Type 1 and 2)
to Type (4) L.P.G.



Illus. No.	Part No.	DESCRIPTION
1	W10085230	Label, Hinge Hole
2	W10139920	Door Hinge Assembly
3	W10159996	Screw, 10-24 x 3/64
4	9742177	Screw, 8-18 x 5/8
5	W10048910	Screw-Plug
6	W10139457	Seal-Door
7	8579502	Handle, Ring Door
8	3400224	Screw, 10-16 x 1/2
9	W10180115	Door Assembly (Outer)

Illus. No.	Part No.	DESCRIPTION
10	8578229	Inner Door (Includes Illus. 12)
11	355515	Screw, 8-18 x 11/16
12	690081	Door Catch Assembly
13	8519356	Retainer-Window (Upper)
14	8519354	Retainer-Window (Lower)
15	8579662	Gasket, Window
16	W10180119	Cover-Hinge
17	8566254	Window

Illus. No.	Part No.	DESCRIPTION
18	8577819	Inner Door Assembly (Include Items, 2,3,5,6,8,10,12, 13,14,15,117,24)
19	W10246600	White Tear-drop Trim & Clip Assembly
	W10249767	Red
	W10249765	Mercury
	W10180120	Door Shield
	W10180118	Door, Intermediate
	W10180117	Door Mask
	8578155	Door Screen
	3393258	Screw, 10-16 x 3/8

OPTIONAL PARTS (NOT INCLUDED)

For Models: WGD9550WW2, WGD9550WL2, WGD9550WR2
(White) (Mercury) (Red)

Illus. No.	Part No.	DESCRIPTION
-------------------	-----------------	--------------------

PAINT, TOUCH-UP (1/2oz.)

72017 White
W10218245 Magna Red Metallic
W10268217 Mercury Silver
W10218247 Magna Red Gloss

PAINT, PRESSURIZED SPRAY (12 oz.)

350930 White
350938 Primer, Gray

PAINT, BULK (1 qt.)

799344 White (Uncut)

ACCESSORY PARTS

8529894 Kit,
Hold Down
8579666A Kit,
Door Reversing
8541503 Kit,
Stack Assembly
80047 Kit,
Dryer Repair
8521957 Dry Rack

FOLLOWING PARTS NOT ILLUSTRATED

W10206708 Bag Assembly
(Contains
The Following
89503 (Hose Inlet)
5' Hose
350027 (Hose Inlet)
2' Hose
W10242307 Washer
W10044604 Connector Hose