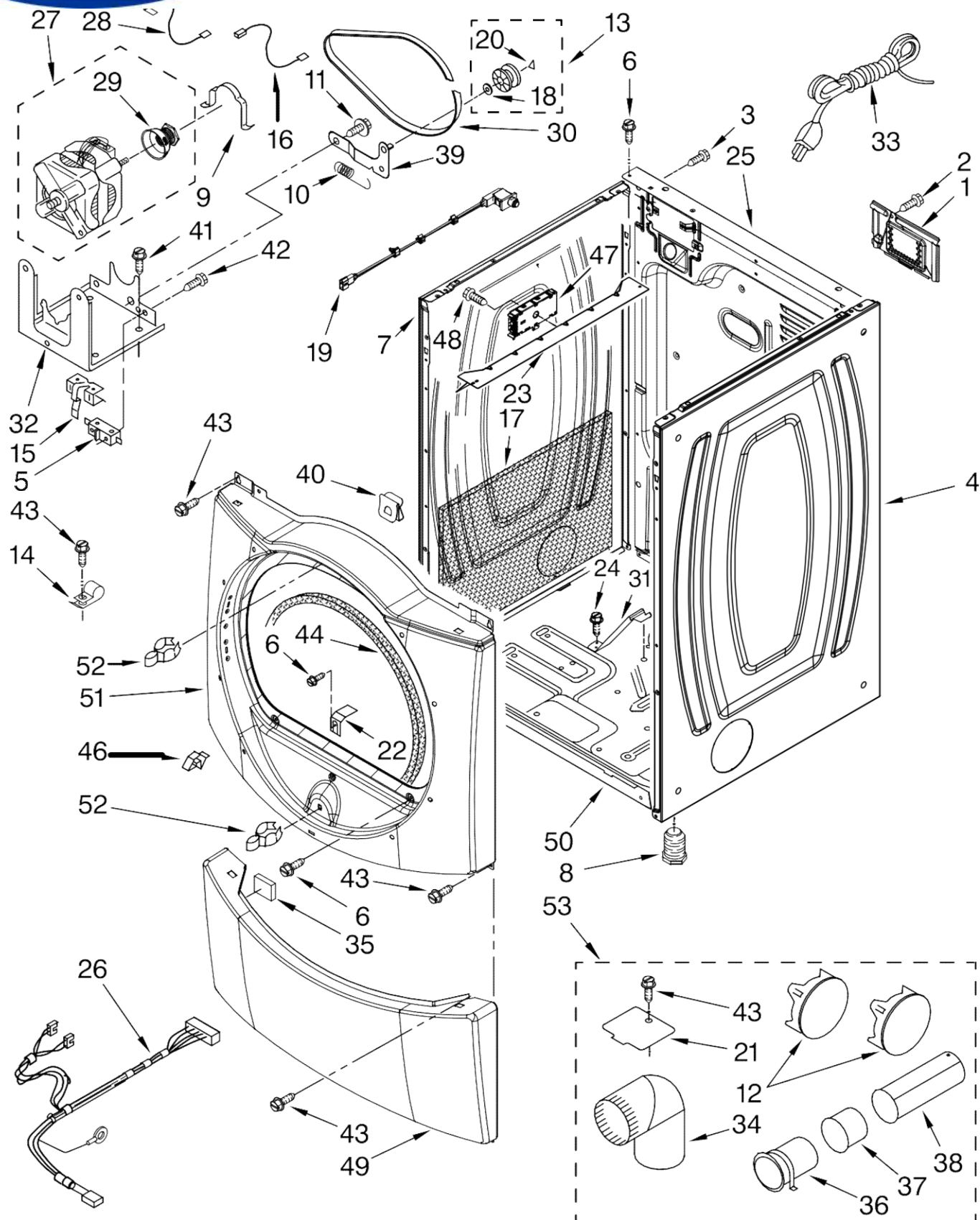


| Illus. No. | Part No. | DESCRIPTION | Illus. No. | Part No. | DESCRIPTION | Illus. No. | Part No. | DESCRIPTION |
|------------|-----------|---|------------|-----------|--|------------|-----------|---|
| 1 | | Literature Parts | 6 | W10215656 | Bracket, Console (Includes No.12) | 22 | W10250089 | Knob, Light Ring (Includes: Illus. 21) |
| | W10244607 | Use & Care Guide | 7 | W10112268 | Clip, Harness(4) | 23 | W10012810 | Rast, Wheel Assy. (Service Only With Item. 28) |
| | W10251194 | Tech Sheet | 8 | 94614 | Terminal | 24 | W10012460 | Detent Wheel (Service Only With Item. 28) |
| | W10139322 | Sheet-Tip | 9 | 3936144 | Plug, Terminal | 25 | W10095960 | Harness, Communication |
| | W10224610 | Steam Dry Installation Instructions | 10 | W10117943 | Badge | 26 | W10012820 | Knob, Spring (Service Only With Item. 28) |
| 2 | | Top | 11 | 3390647 | Screw, 8-18 x 1/2 | 27 | W10190685 | Knob, Timer (Includes: Item. 21) |
| | 3980634 | White | 12 | W10112267 | Foam-Seal | 28 | W10012480 | Encoder, Wheel Kit (Includes Items: 23, 24 & 26) |
| | W10249738 | Red | 13 | W10030070 | Array-Power | 29 | W10111020 | Power Cable, User-Interface |
| | W10249739 | Mercury | 14 | 3936150 | Connector, 7-Circuit | | | |
| 3 | W10181775 | Harness, Main | 15 | 3395683 | Connector, (Motor) | | | |
| 4 | | Panel, Console (Includes Illus: 10,20,21,22,27 & 28) | 16 | 98139 | Screw, 8-32 x 5/16 | | | |
| | W10246596 | White | 17 | 2203186 | Connector, 5-Circuit | | | |
| | W10251606 | Red | 18 | W10248084 | User-Interface (Right) | | | |
| | W10251598 | Mercury | 19 | W10110658 | User-Interface Center (Includes Illus: 13.) | | | |
| 5 | 3391018 | Tie, Cable | 20 | W10012430 | Encoder-Wheel | | | |
| | | | 21 | W10012440 | Retainer-Snap | | | |



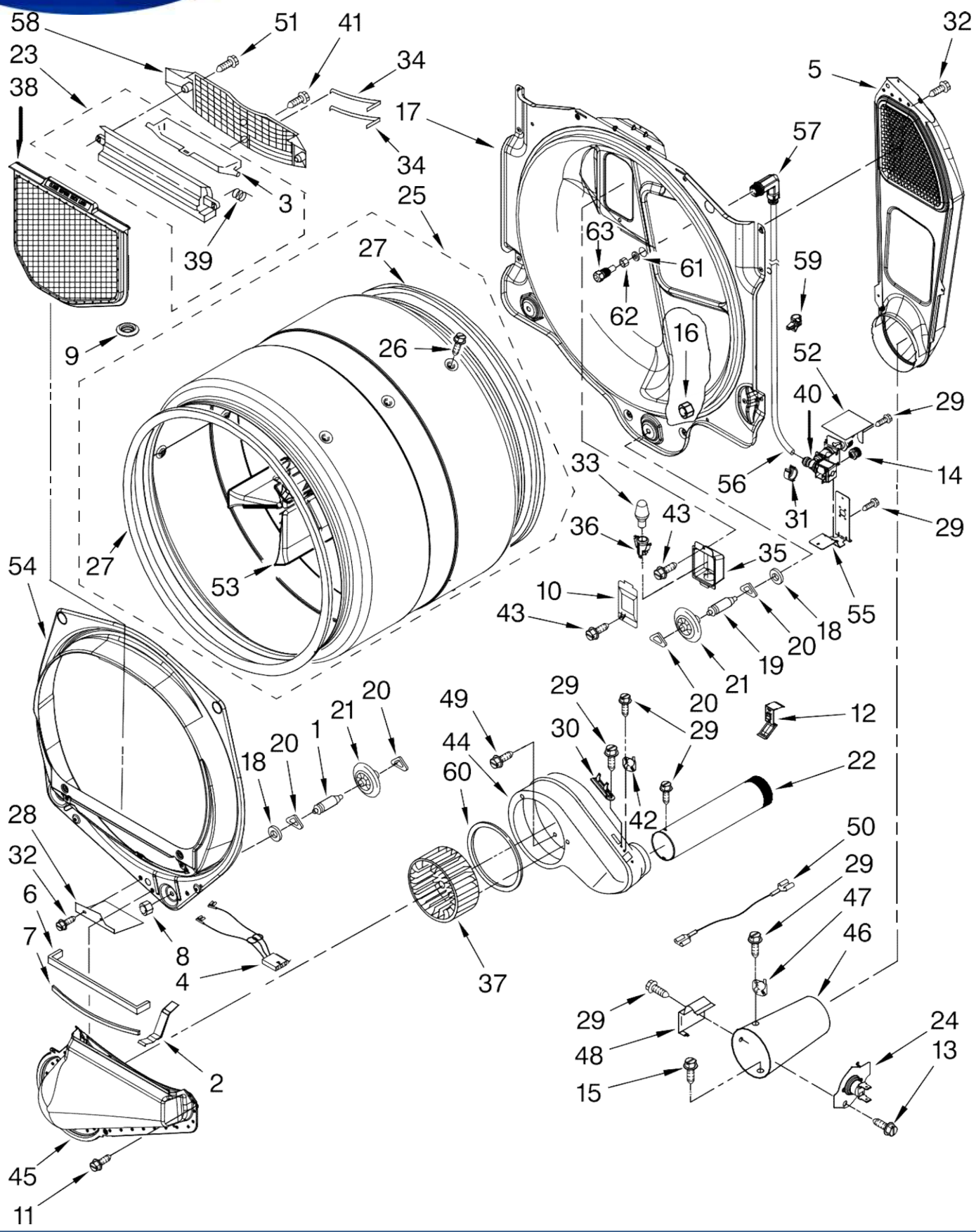


SECADORA WGD9550WW0

| Illus. No. | Part No. | DESCRIPTION | Illus. No. | Part No. | DESCRIPTION | Illus. No. | Part No. | DESCRIPTION |
|------------|-----------|---|------------|-----------|-----------------------------------|---|-----------|----------------------------------|
| 1 | 8317340 | Cover, Terminal Block | 16 | W10167612 | Wire, Belt Switch | 39 | 3388674 | Idler Bracket |
| 2 | 3390814 | Screw, 8-18 x 3/8 | 17 | W10128772 | Sound Panel | 40 | 62825 | Clip, S Type |
| 3 | 8533974 | Screw, Ground | 18 | W10121334 | Washer | 41 | 343641 | Screw, 10-16x1/2 |
| 4 | | Panel, Side (R.H.) | 19 | W10128087 | Assembly, Door Switch | 42 | 98129 | Screw, 6-20 x 1 1/16 |
| | W10192446 | White | 20 | 690997 | Tri Ring | 43 | 3390647 | Screw, 8-18 x 1/2 |
| | W10249769 | Red | 21 | 8066115 | Cover-Plate | 44 | 3387242 | Seal, Front Panel |
| | W10249725 | Mercury | 22 | 8529053 | Ramp, Door | 46 | 8519459 | Clip, Toe Panel |
| 5 | 3394881 | Switch, Broken Belt | 23 | 8563727 | Bracket, Control | 47 | W10169969 | Board, Control |
| 6 | 3357011 | Screw, 10-16 x 1/2 | 24 | 693995 | Screw, 8-18 x 3/8 | 48 | 90767 | Screw, 8-18 x 3/8 |
| 7 | | Panel, Side (L.H.) | 25 | W10181460 | Panel, Rear | 49 | | Panel, Toe |
| | W10192435 | White | 26 | W10181464 | Harness, Digital Interface | | W10116271 | White |
| | W10249768 | Red | 27 | 8538263 | Motor Assembly 60 HZ. | | W10250673 | Red |
| | W10249727 | Mercury | 28 | 3398948 | Wire, Jumper (Broken Belt Switch) | 50 | W10239098 | Base, Cabinet |
| 8 | 3392100 | Foot, Dryer | | | | 51 | | Front Panel (Includes Illus. 44) |
| | 279810 | Foot - Optional (Extended Length Package Of 2) (Not Included) | 29 | 8578220 | Pulley 60 HZ. | | W10180423 | White |
| 9 | W10121316 | Clamp, Motor (2) | 30 | 3387610 | Belt, Drive | | W10250670 | Red |
| 10 | 3387374 | Spring, Idler | 31 | 8529757 | Bracket, Burner | | W10249726 | Mercury |
| 11 | 3389420 | Retainer, Idler | 32 | 3387118 | Bracket, Motor | 52 | 696144 | Strike, Door (2) |
| 12 | | Plug, Multivent | 33 | 3401401 | Cord, Power | Optional Parts Not Included | | |
| | 697750 | White | 34 | 49026 | 4" - 90° Elbow | Dryer Exhaust Kit (For Side & Bottom Venting) | | |
| | W10121316 | Midnight Grey | 35 | 3389682 | Space, Toe Panel | | | |
| 13 | 3388672 | Pulley Assembly | 36 | 8563747 | Exhaust Pipe & Bracket | | | |
| 14 | 3978776 | Bracket, Gas Pipe | 37 | 8563750 | Exhaust Pipe (Short) | | | |
| 15 | 8066120 | Lever, Snap Switch | 38 | 8563749 | Exhaust Pipe (Long) | 53 | 279818 | White |
| | | | | | | | W10186596 | Midnight Grey |



SECADORA WGD9550WW0



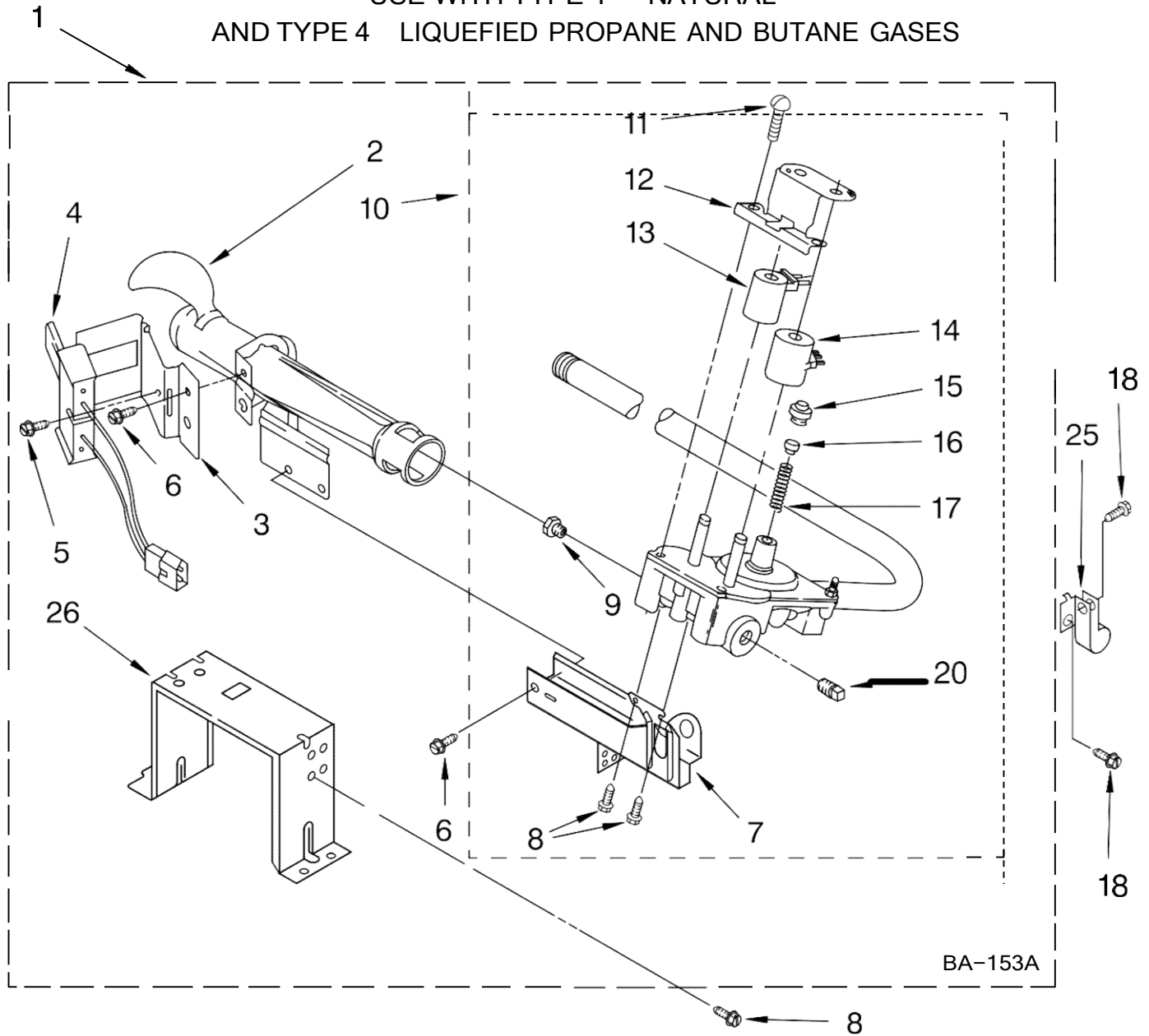
BENITO JUÁREZ #1500 GPE ZITON, CD. GUADALUPE NUEVO LEÓN TEL: 8183377999 Y 49
HORARIOS: LUNES A VIERNES 8:30 A 6:00 PM Y SÁBADOS DE 8:30 A 2:00 PM
www.denek.com

| Illus. No. | Part No. | DESCRIPTION |
|------------|-----------|------------------------|
| 1 | 8575324 | Shaft, R.H. Thread |
| 2 | 8066208 | Clip-Spring |
| 3 | 3394984 | Door, Lint Screen |
| 4 | 3406653 | Harness, Sensor |
| 5 | 3394346 | Air Duct Assembly |
| 6 | 697813 | Seal, Outlet Housing |
| 7 | 697814 | Seal, Drum Front 8 |
| | 3934666 | Nut, 3/8 x 16(R.H.) |
| 9 | W10128544 | Cap, Plug |
| 10 | 3402841 | Lens, Drum Light |
| 11 | 359625 | Screw, 8-18 x 1/2 |
| 12 | 8572105 | Clip, Exhaust Pipe |
| 13 | 8533971 | Screw, 8-18 x 5/16 |
| 14 | W10044605 | Coupling, Hose |
| 15 | 693995 | Screw, 8-18 x 3/8 |
| 16 | W10001120 | Nut, 3/8-16 (L.H.) |
| 17 | W10133857 | Bulkhead, Rear |
| 18 | 3387459 | Washer, Support |
| 19 | 8575325 | Shaft, L.H. Thread |
| 20 | 690997 | Ring, Tri |
| 21 | 8536973 | Roller, Support |
| 22 | 8563745 | Exhaust Pipe |
| 23 | 3394985 | Housing, Outlet |
| 24 | 8573713 | Thermal, Cut-Off |
| 25 | W10181466 | Complete Drum Assembly |

| Illus. No. | Part No. | DESCRIPTION |
|------------|-----------|--|
| 26 | W10219342 | Screw, 8-16 x 3/4 |
| 27 | W10166807 | Seal, Drum |
| 28 | W10128629 | Shield, Blower Housing (Includes Illus. 32) |
| 29 | 90767 | Screw, 8-18 x 3/8 |
| 30 | 3392519 | Thermal-Fuse (91°C) |
| 31 | W10044615 | Clip, Push-To-Start |
| 32 | 3390647 | Screw, 8-18 x 1/2 |
| 33 | 3406124 | Bulb, Light |
| 34 | 3387223 | Electrode, Sensor |
| 35 | 8578825 | Bracket, Drum Light |
| 36 | W10136369 | Socket Assembly |
| 37 | 697772 | Wheel, Blower |
| 38 | W10049370 | Lint, Screen |
| 39 | 3394986 | Spring, Lint Screen Door |
| 40 | W10044596 | Valve, Water Inlet (Includes Items, 29,52,55 & 65) |
| 41 | 695240 | Screw, 8-18 x 1/2 |
| 42 | 8577274 | Thermistor |
| 43 | 487909 | Screw, 8-15 x 1/2 |
| 44 | 8544362 | Housing, Blower (Includes Illus. 49.) |
| 45 | 8066168 | Lint Duct Assembly |

| Illus. No. | Part No. | DESCRIPTION |
|------------|-----------|--|
| 46 | 8573824 | Funnel, Burner |
| 47 | 8573028 | Thermostat, High-Limit 205F (96°C) |
| 48 | 338906 | Sensor, Radiant |
| 49 | 489463 | Screw, 8-18 x 5/8 |
| 50 | 3401710 | Jumper, TCO Hi-Limit |
| 51 | 3387230 | Screw, 10-16 x 1 |
| 52 | W10184825 | Cover, Inlet Valve |
| 53 | 697693 | Baffle, Drum |
| 54 | 8519245 | Bulkhead, Front (Includes Illus. 28 & 32) |
| 55 | W10044597 | Bracket, Valve |
| 56 | W10044598 | Hose (Not Servicable Included With Illus. 57) |
| 57 | W10179730 | Nozzle & Hose Assembly (Includes Items, 59,61,62 & 63) |
| 58 | 8299979 | Grill, Outlet |
| 59 | 3391018 | Tie, Cable |
| 60 | 697770 | Seal, Cover Plate |
| 61 | W10044579 | Washer, Nozzle |
| 62 | W10044628 | Nut, Brass |
| 63 | W10044629 | Nozzle & Screen Assembly |

USE WITH TYPE 1 - NATURAL
AND TYPE 4 LIQUEFIED PROPANE AND BUTANE GASES

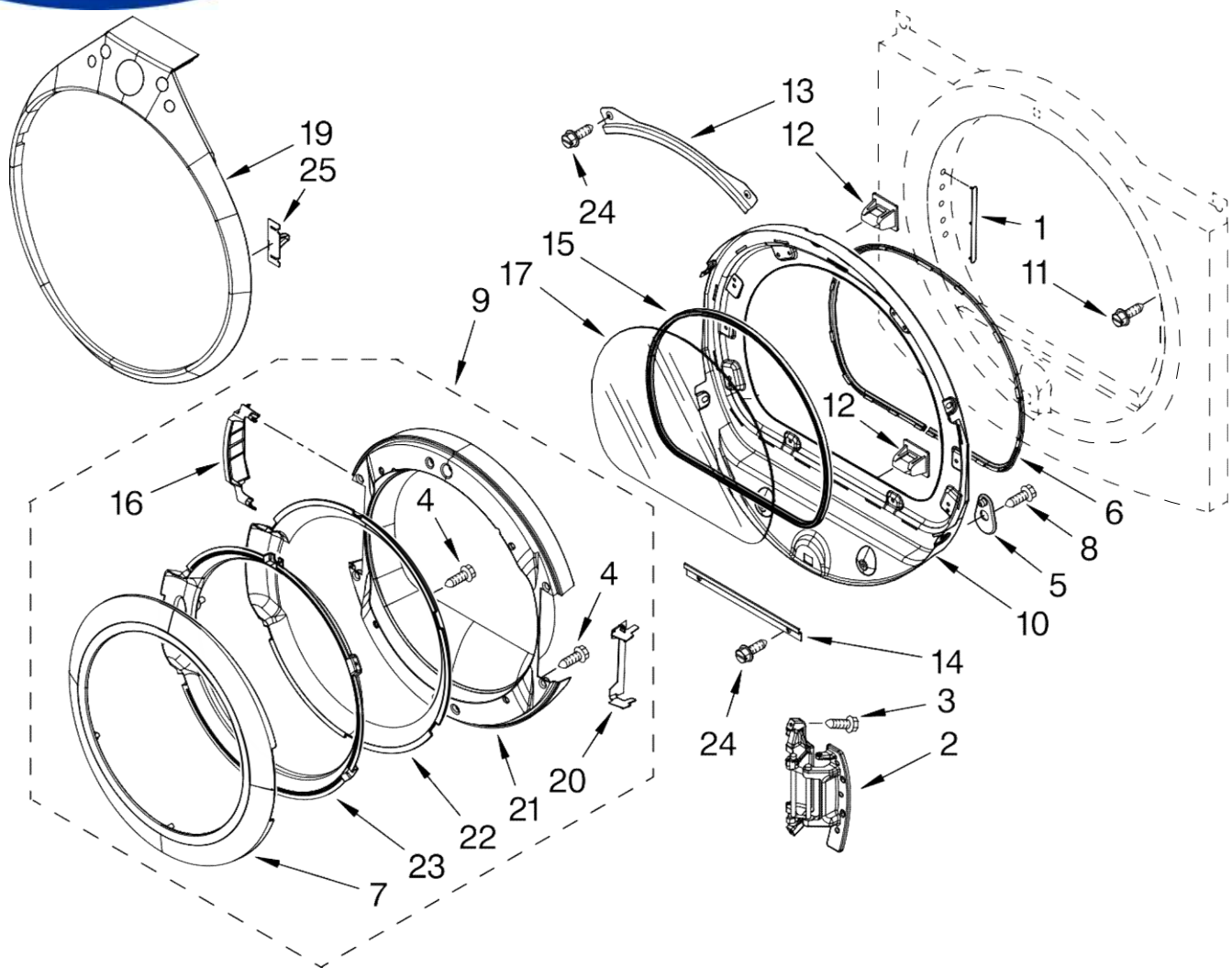


USE WITH TYPE 1 – NATURAL
AND TYPE 4 LIQUEFIED PROPANE AND BUTANE GASES

| Illus. No. | Part No. | DESCRIPTION |
|------------|-----------|--|
| 1 | 8576353 | Burner Assembly 60 Hz. (Type 1) (White Rodgers) |
| 2 | 688617 | Tube, Burner |
| 3 | 694298 | Bracket, Ignitor |
| 4 | 686590 | Ignitor |
| 5 | 3393909 | Screw & Washer (8-32 x 7/8) |
| 6 | 343641 | Screw, 10-16 x 1/2 |
| 7 | 3389871 | Base, Burner |
| 8 | 3387057 | Screw, 8-18 x 3/8 |
| 9 | | Orifice, Burner |
| | 15418 | Type 1 |
| | 15422 | Type 4 (Butane) |
| | 234867 | Type 4 (Propane) |
| 10 | W10118347 | Valve, Gas 60 Hz. (Complete) (Includes Pipe & Illus. #7). |
| 11 | 694421 | Screw, 8-32 x 1/2 (2) |
| 12 | 694538 | Bracket, Coil |
| 13 | 694540 | Coil, 60 Hz. (2 Terminal) (Main) |
| 14 | 694539 | Coil, 60 Hz. (Split) (3 Terminal) (Pilot Position) |
| 15 | 694424 | Leak, Limiter |
| 16 | 694423 | Screw, Regulator Adjustment |
| 17 | 694422 | Spring, Regulator |
| 18 | 3390647 | Screw, 8-18 x 1/2 |
| 20 | 239822 | Plug, Pipe |
| 25 | 3387561 | Clamp, Pipe |
| 26 | 3389889 | Bracket, Support |

Following Parts Not Illustrated

8576846 Conversion Kit
(Type 1)
to Type (4) LPG).



| Illus. No. | Part No. | DESCRIPTION |
|------------|-----------|--|
| 1 | W10085210 | Label, Hinge Hole |
| 2 | W10139920 | Door Hinge Assembly |
| 3 | W10159996 | Screw, 10-24 x 3/64 |
| 4 | 9742177 | Screw, 8-18 x 5/8 |
| 5 | W10048910 | Screw-Plug |
| 6 | W10139457 | Seal-Door |
| 7 | 8579502 | Handle, Ring Door |
| 8 | 3400224 | Screw, 10-16 x 1/2 |
| 9 | | Door Assembly (Outer) |
| 10 | 8578229 | Door Assembly (Inner) (Includes Illus. 12) |

| Illus. No. | Part No. | DESCRIPTION |
|------------|-----------|---|
| 11 | 355515 | Screw, 8-18 x 11/16 |
| 12 | 690081 | Door Catch Assembly |
| 13 | 8519356 | Retainer-Window (Upper) |
| 14 | 8519354 | Retainer-Window (Lower) |
| 15 | 8579662 | Gasket, Window |
| 16 | W10180119 | Cover-Hinge, Stationary (LH) (Following Parts Not Included) |
| | W10181197 | Stationary (RH) |

| Illus. No. | Part No. | DESCRIPTION |
|------------|-----------|--------------------------------|
| 17 | 8566254 | Window |
| 19 | | Tear-drop Trim & Clip Assembly |
| | W10246600 | White |
| | W10249767 | Red |
| | W10249765 | Mercury |
| 20 | W10180120 | Door Shield |
| 21 | W10180118 | Door, Intermediate |
| 22 | W10180117 | Door Mask |
| 23 | 8578155 | Door Screen |
| 24 | 3393258 | Screw, 10-16 x 3/8 |
| 25 | W10129065 | Clip, Trim (8) |

OPTIONAL PARTS (NOT INCLUDED)

For Models: WGD9550WW0, WGD9550WL0, WGD9550WR0
(White) (Mercury) (Red)

| Illus. No. | Part No. | DESCRIPTION |
|-------------------|-----------------|--------------------|
|-------------------|-----------------|--------------------|

PAINT, TOUCH-UP (1/2oz.)

72017 White
72032 Black
4392899 Biscuit
W10162090 Chestnut
W10218247 Magna Red Gloss
8212605 Ultimate Silver

PAINT, PRESSURIZED SPRAY (12 oz.)

350930 White
350939 Black
4392901 Biscuit
350938 Primer, Gray

PAINT, BULK (1 qt.)

799344 White (Uncut)
4392900 Biscuit (Uncut)
799340 Black (Uncut)

ACCESSORY PARTS

8529894 Kit,
Hold Down
8579666A Kit,
Door Reversing
8541503 Kit,
Stack Assembly
80047 Kit,
Dryer Repair
8521957 Dry Rack

FOLLOWING PARTS NOT ILLUSTRATED

W10044609 Bag Assembly
(Contains
The Following
76314 (Hose Inlet)
6' Hose With Elbow
W10044603 (Hose Inlet)
1' Hose
W10242307 Washer
W10044604 Connector Hose