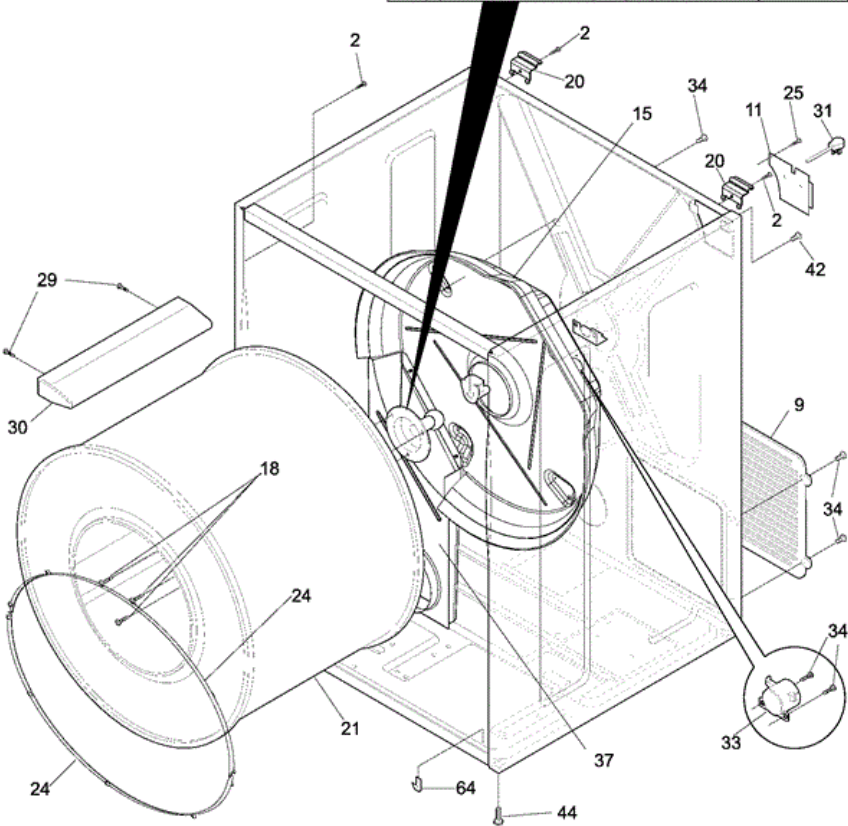
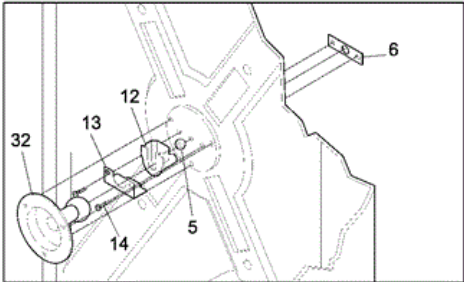


WGR242AS4 GABINETE

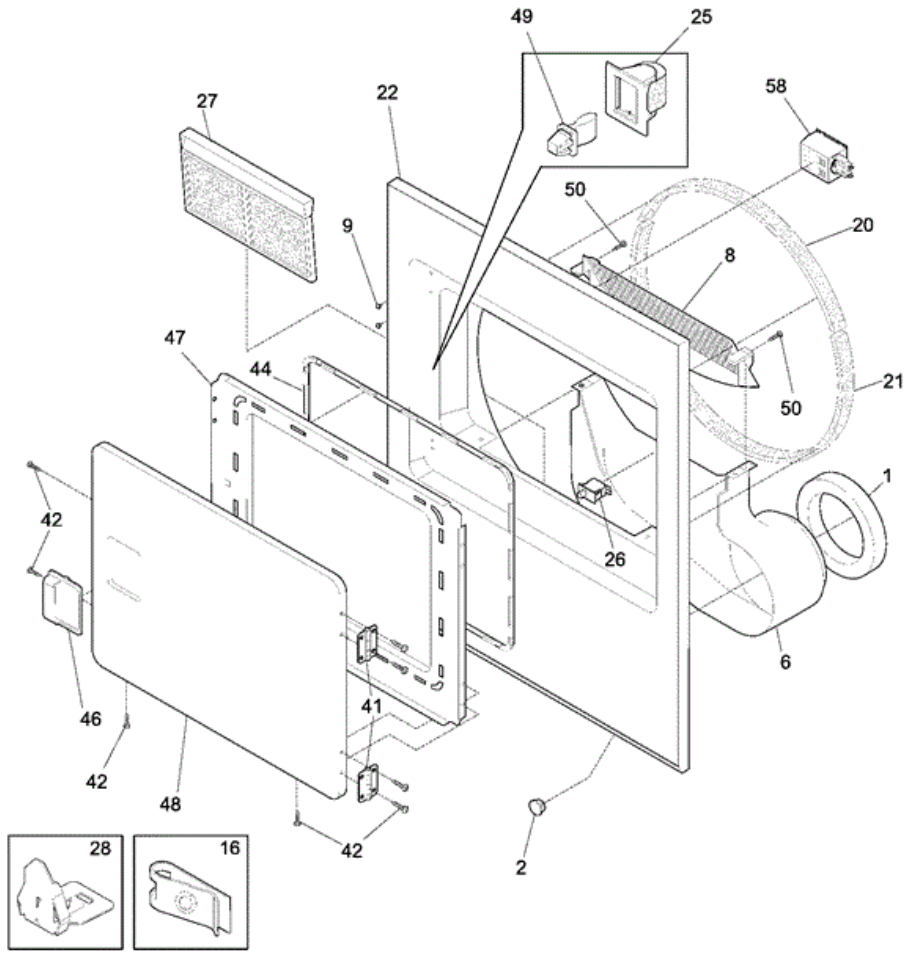




WGR242AS4 GABINETE

2	131168200	SCREW,PAN HEAD ,8-18B X 0.31
5	5303281019	BALL
6	5303281020	CLIP,BALL ,STEEL ,FLAT NUT
9	131793201	PANEL,ACCESS ,REAR
11	131363200	COVER-TERMINAL BLOCK
12	131825900	BEARING-DRUM SUPPORT
13	131724300	BRACKET,BEARING SUPPORT
14	131205400	SCREW,BRACKET MTG. ,10-16B X 1.375 ,CR/SQ DRIVE
18	131477000	SCREW,10-16AB X 0.375
20	131469100	BRACKET,HINGE ,REAR ,TOP PANEL MTG.
21	134122532	DRUM,DRYER ,GALVANIZED STL. ,SERVICE KIT
24	131963900	GLIDE-DRUM
25	5303015671	SCREW,HEX WASHER HEAD ,8-18 X 0 .375 ,CUP POINT
29	131382300	SCREW,QUADREX HEAD ,10-14 X 1.00
30	5303201200	VANE,STRAIGHT
32	131777700	SHAFT,DRUM SUPPORT ,BALLHITCH
34	131243700	SCREW, PAN HEAD, 8-18AB X 0.375, CR/SQ DRIVE
37	131952100	DUCT-HEAT
42	134154100	SCREW,HEX WASHER HEAD ,10-32 X 0.375 ,GROUND
44	134158000	LEVELING LEG,SCREW
64	131704600	CLIP
F15	131600500	HOUSING, GAS HEATER ASSY, W/SEAL
F31	134102200	CORD-ELECTRIC POWER
F33	5308015399	THERMOSTAT - SAFETY
NI	134101400	TERMINAL BLOCK,MAIN
NI	5303281153	REAR BEARING KIT, INCLUDES 5, 6, 12, 13, 14, 18, 32
NI	5303307893	LUBRICANT, HIGH TEMP

WGR242AS4 PUERTA

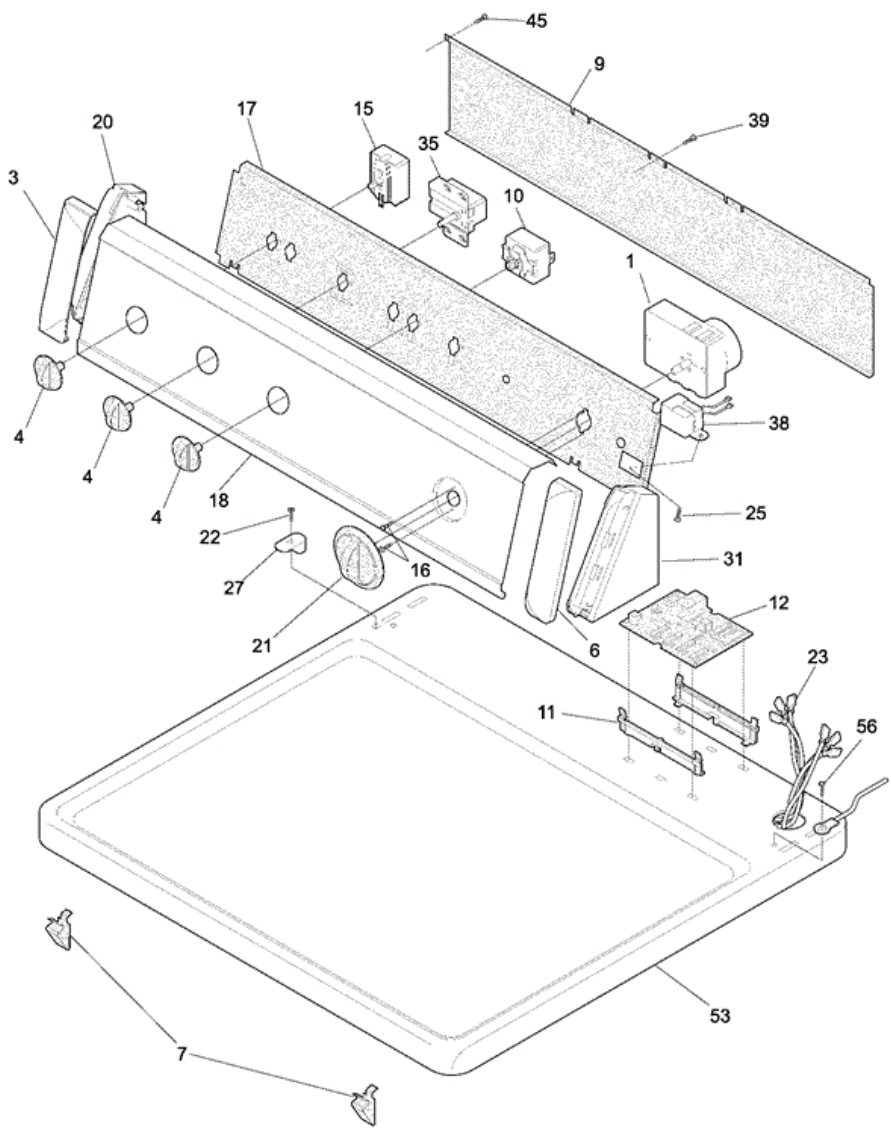




WGR242AS4 PUERTA

1	134063300	SEAL,AIR DUCT
2	131397000	PLUG-DOME-WHITE
6	131621900	DUCT-AIR
9	131633200	PLUG,WHITE
16	131063700	CLIP-WIRING
20	134036400	SEAL,FELT ,UPPER
21	134134700	SEAL,FELT ,LOWER
22	131845912	PANEL,FRONT ,WHITE ,W/LIGHT HOLE
25	131658800	DOOR CATCH
27	131450300	TRAP,LINT BLADE ASSY
28	5303281074	CLIP-GUIDE,(3)
41	131627500	HINGE-DOOR
42	131209600	SCREW, FLAT HEAD, 8-18AB X 0.44, CR/SQ DRIVE
44	131129900	GASKET,DOOR SEAL
46	131644700	HANDLE-DOOR, WHITE
47	131844104	PANEL-INNER DOOR WHITE
48	131789303	PANEL,OUTER DOOR ,WHITE
49	5303211430	DOOR STRIKE
50	131303300	SCREW,PAN HEAD ,10-16AB X 0.500 ,LOCKING
F26	131843101	SWITCH,DOOR ,WITH DRUM LIGHT
F58	131843500	LAMP ASSY,DRUM LIGHT ,W/MTG BRACKET
F8	131845800	COVER,LINT HOUSING ,W/MOIST SENSOR
NI	131474700	INSULATION
NI	131846600	WIRING HARNESS,SENSOR & LIGHT
NI	131862800	LAMP
NI	5308027429	ADHESIVE, HIGH TEMP

WGR242AS4 TABLERO

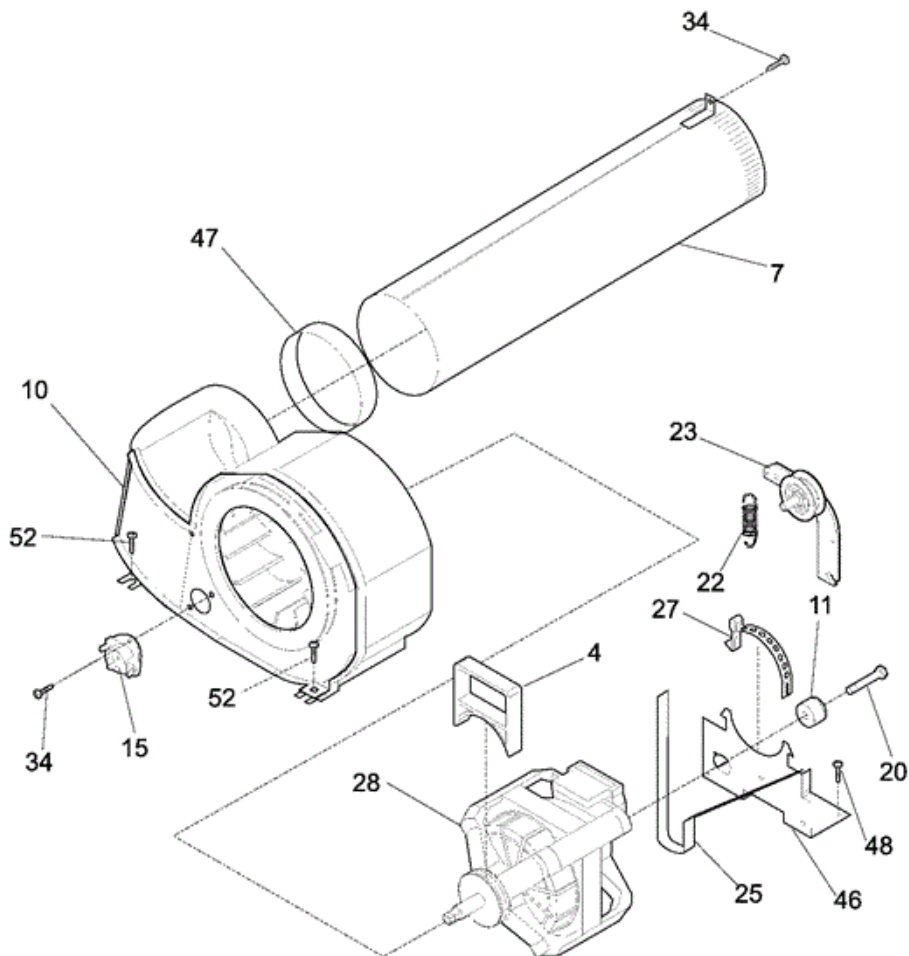




WGR242AS4 TABLERO

1	131905500	TIMER, DRYER
3	131122611	COVER-END CAP, WHITE, LH
4	131141105	KNOB, ROTARY, WHITE/DK GRAY
6	131122601	COVER-END CAP, WHITE, RH
7	3205821	CLIP, TOP-TO-FRONT
9	134088700	PANEL, CONSOLE BACK
11	131587400	BRACKET, PC BOARD MTG. ,(2)
16	134034300	SCREW, PAN HD PHILLIPS, 8-18B X 0.250
17	131728900	BRACKET, CONTROL MTG.
18	134093500	PANEL, TRIMPLATE, CONSOLE FRONT
20	131122711	END CAP, WHITE, LH
21	131810500	KNOB, TIMER, WHITE/GRAY
22	131266330	SCREW, 8-18 X 1.250
23	134005400	WIRING HARNESS
25	5303015671	SCREW, HEX WASHER HEAD, 8-18 X 0.375, CUP POINT
27	131197000	CLIP-CONSOLE MTG
31	131122701	END CAP, WHITE, RH
39	131243700	SCREW, PAN HEAD, 8-18AB X 0.375, CR/SQ DRIVE
45	131205100	SCREW, NO.8 PAN HEAD, 10-10B X 0.500, CR/SQ DRIVE
53	134086802	PANEL, DRYER TOP, WHITE, CONSOLE MTG
56	131243800	SCREW, PAN HD LOCKING, 8-32CA X 0.375, CUP POINT
F10	131447800	SWITCH, START, TURN TYPE
F12	131620200	CONTROL BOARD, MOISTURE SENSOR
F15	131641900	SWITCH, TEMPERATURE, 4 POSN ROTARY
F35	131243200	SWITCH, TEMP/BUZ/XRINSE, 2 POSITION
F38	131629400	BUZZER-MINI
NI	131629600	WIRING HARNESS, MINI BUZZER

WGR242AS4 MOTOR

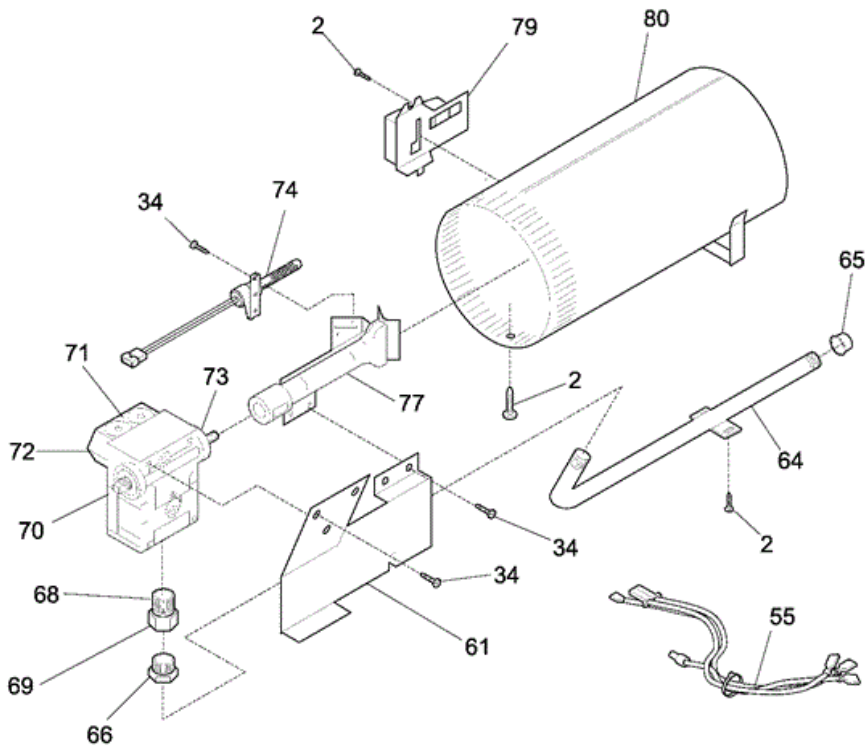




WGR242AS4 MOTOR

4	131435200	LOCK,BLOWER HOUSING
7	131451600	TUBE,EXHAUST ,REAR ,W/MTG BRACKET
11	131749800	SPACER-IDLER
20	131017900	SCREW,HEX HEAD ,1/4-20T X 1.25
22	131601000	SPRING,IDLER ARM
27	134242400	CLAMP,MOTOR MTG.
34	131243700	SCREW, PAN HEAD, 8-18AB X 0.375, CR/SQ DRIVE
46	134203400	BRACKET,MOTOR MTG
47	131633300	SEAL-EXHAUST TUBE
48	131168200	SCREW,PAN HEAD ,8-18B X 0.31
52	131303100	SCREW,HEX WASHER HEAD ,10-16AB X 0.625
F10	131775600	HOUSING,BLOWER ASSY ,COVER & WHEEL
F15	134048900	THERMOSTAT,CONTROL
F23	131863000	IDLER ARM
F25	134163400	BELT,DRYER
F28	131560100	MOTOR,MAIN DRIVE ,W/PULLEY
NI	131456800	TUBE,EXHAUST ,SIDE/BOTTOM ,OPTIONAL KIT

WGR242AS4 QUEMADOR





WGR242AS4 QUEMADOR

2	131168200	SCREW,PAN HEAD ,8-18B X 0.31
34	131243700	SCREW, PAN HEAD, 8-18AB X 0.375, CR/SQ DRIVE
61	134185200	BRACKET,BURNER MTG
64	134144900	PIPE,GAS ,RIGHT ANGLE
65	8015112	CAP-PIPE
66	134128700	BUSHING,COUPLER
68	134185100	TAIL PIECE,COUPLING
70	134169200	VALVE,LP GAS
71	5300622602	SOLENOID,SECONDARY COIL
72	5308015680	SOLENOID,BOOSTER COIL
73	5303207411	ORIFICE,LP GAS ,NO.55
F55	134264700	WIRING HARNESS,GAS VALVE
F69	5308015194	UNION,HEX NUT
F74	134192000	IGNITOR ASSY
F77	131762900	BURNER ASSY,NON-ADJUSTABLE ,W/MTG BRACKET
F79	5303281135	SENSOR,RADIANT
F80	134200801	TUBE,BURNER ,RIVETED
NI	134169500	GAS CONVERSION KIT,LP TO NATURAL
NI	134214200	CLIP,IGNITOR SUPPORT