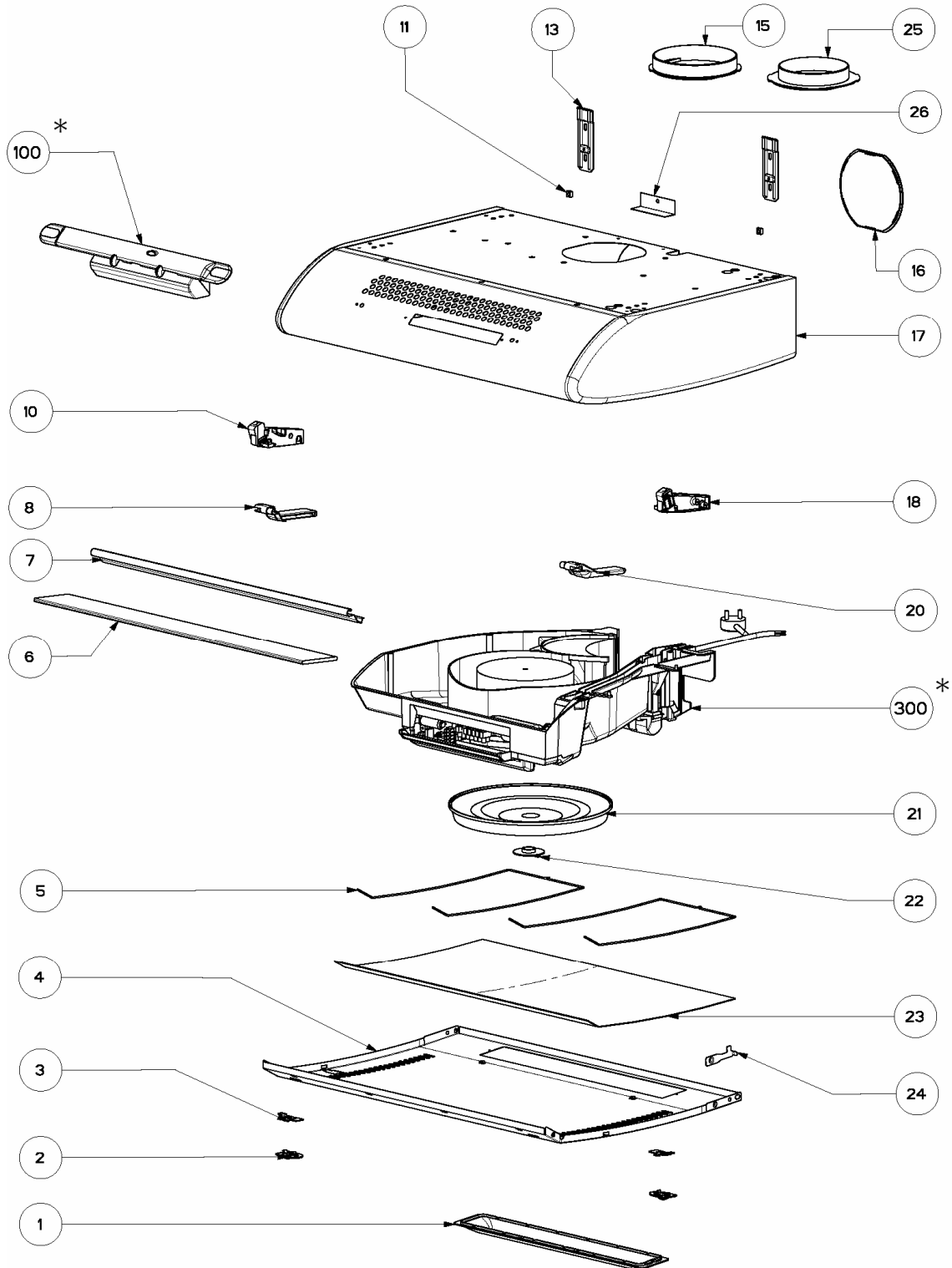


CAMPANA WH80124PQ0

| | |
|-----------|-----------|
| Marca | Whirlpool |
| Capacidad | 80 cm |
| Color | Blanco |

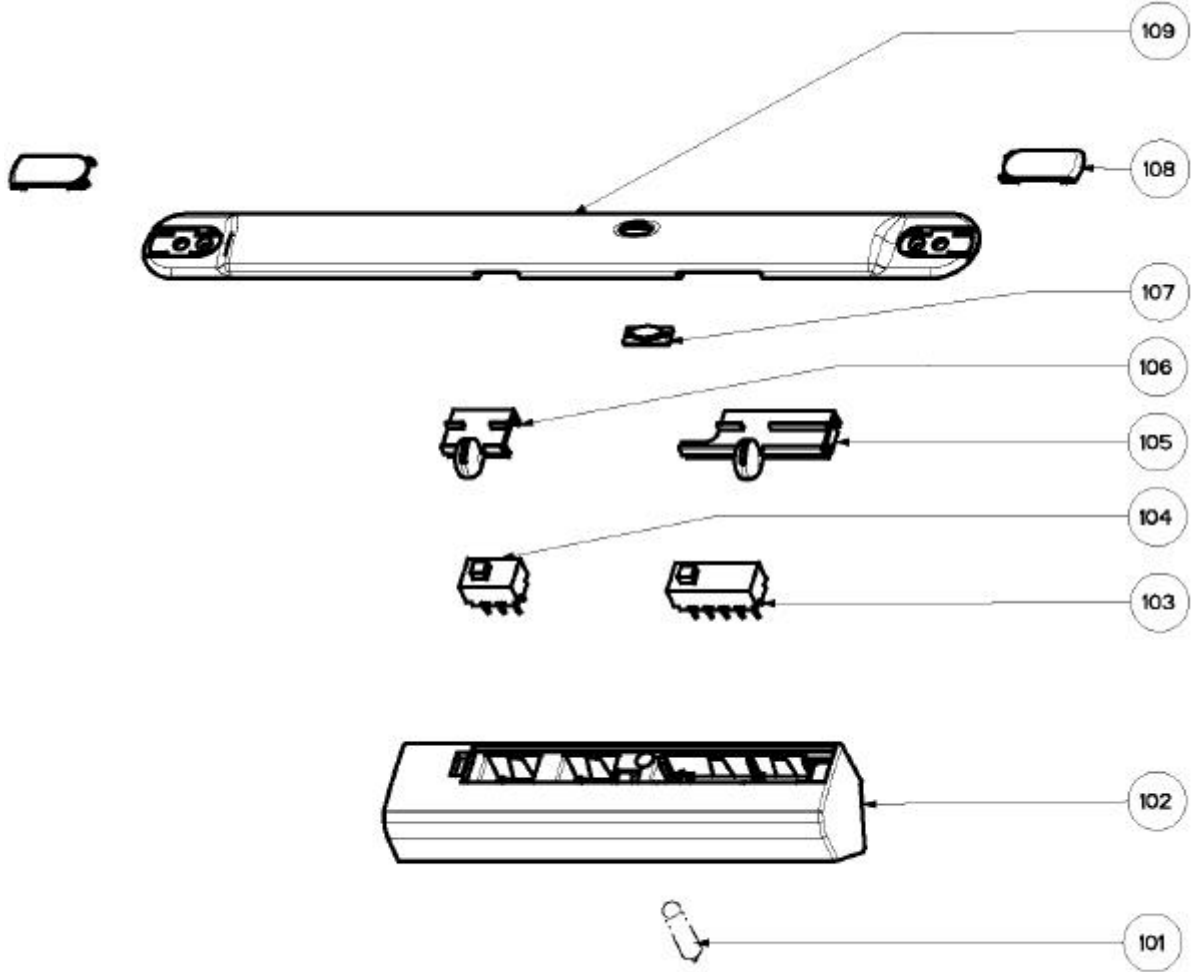


CAMPANA WH80124PQ0

| Marca | | Whirlpool | |
|-------------|-------------------------------------|------------------|-----------------|
| Capacidad | | 80 cm | |
| Color | | Blanco | |
| R e f | Descripción | C a n t | Numero de Parte |
| | LIBRETTO ISTR.MILLENNIO WHIRLP.MEXI | 1 | 436002404 |
| | WIRING DIAGRAM 3SP 1-2M6 | 1 | 4349028 |
| 1 | LIGHTING DIFFUSER | 1 | 4145138 |
| 2 | BOLT SWITCH | 2 | 4022850 |
| 3 | GRILLE BOLT 28/35 D28-007 | 2 | 4132336 |
| 4 | GRID W GLOBAL 80 | 1 | 440005518 |
| 5 | FILTER HOLDER | 3 | 4117560 |
| 6 | VISIERA VETRO TEMPRATO NATURALE 80 | 1 | 418000092 |
| 7 | VISOR PROFILE W502B 80 | 1 | 440005519 |
| 8 | SX WP2X VISOR HEAD | 1 | 4166879 |
| 10 | VISOR SUPPORT ASS.WP2X SX M401 | 1 | 4269435 |
| 15 | DUCTING SPIGOT D120 H30 | 1 | 410100028 |
| 16 | DUCTING OUTLET BLANKING PLATE | 1 | 4166302 |
| 17 | CASING W GLOBAL 80 | 1 | 440005521 |
| 18 | VISOR SUPPORT ASS.WP2X DX M401 | 1 | 4269434 |
| 20 | DX WP2X VISOR HEAD | 1 | 4166878 |
| 23 | METAL MODULAR GREASE FILTER | 2 | 4331387 |
| 24 | PLASTIC PLAQUE | 1 | 4141467 |
| 26 | WALL SECURITY BRACKET 605-223 | 1 | 4467137 |
| 100 | CONTROL BOARD M6 2T | 1 | TAV.401-721 |
| 300 | GRUPPO MOTORE 1M6 2L | 1 | TAV.401-715 |

CAMPANA WH80124PQ0

| | |
|-----------|-----------|
| Marca | Whirlpool |
| Capacidad | 80 cm |
| Color | Blanco |

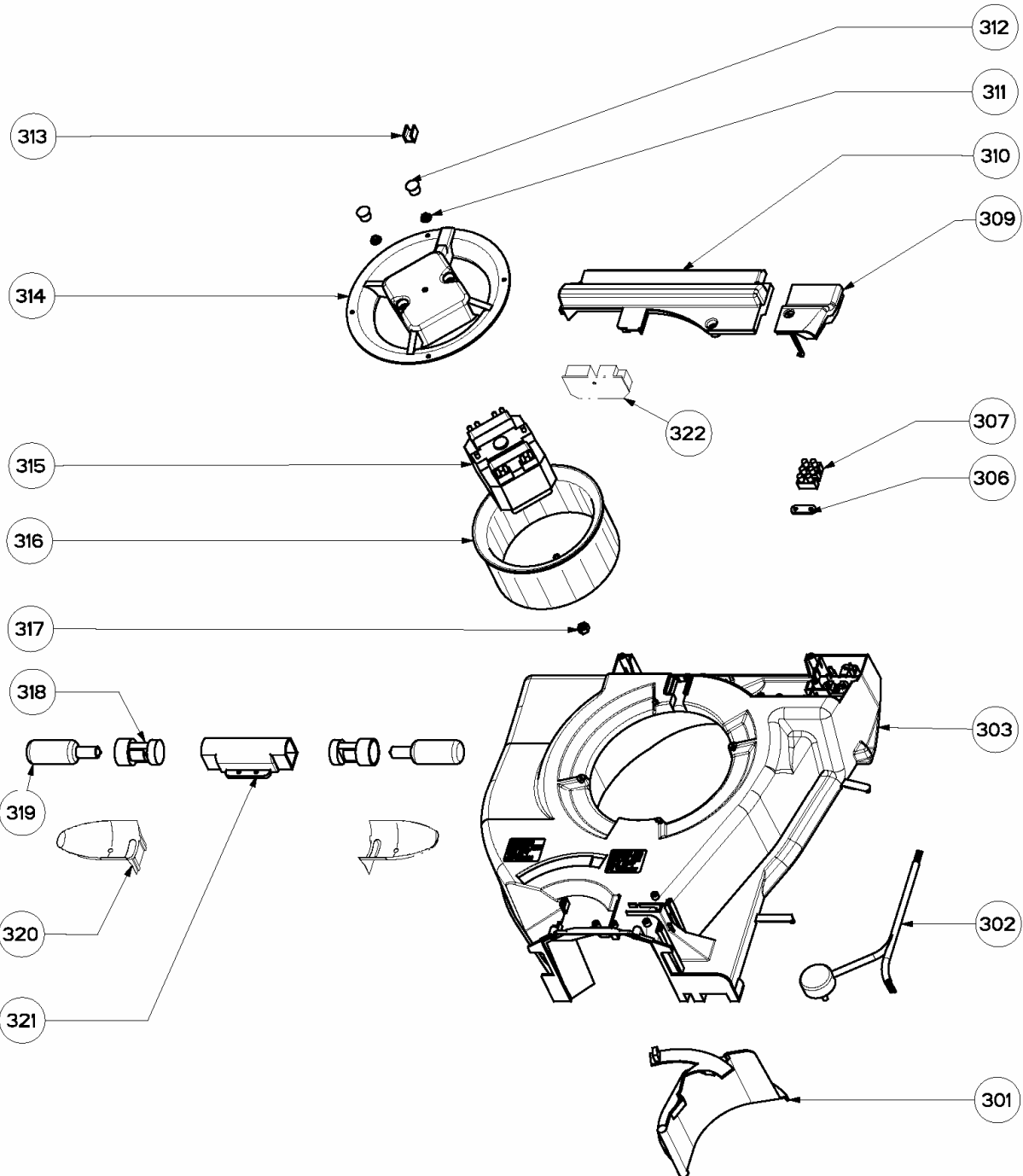


CAMPANA WH80124PQ0

| Marca | | Whirlpool | |
|-------------|-------------------------------------|------------------|-----------------|
| Capacidad | | 80 cm | |
| Color | | Blanco | |
| R e f | Descripción | C a n t | Numero de Parte |
| 102 | SCL SUPPORT | 1 | 4165824 |
| 103 | SCL4 SLIDER SWITCH | 1 | 4021689 |
| 104 | SCL2 COMMUTATOR | 1 | 4021687 |
| 105 | SLIDING BUTTON 0-1 W GLOBAL | 1 | 410100534 |
| 106 | SPEED SLIDING BUTTON W GLOBAL | 1 | 410100536 |
| 107 | COVER W GLOBAL | 1 | 410100538 |
| 108 | COVER SCL W GLOBAL | 2 | 410100532 |
| 109 | QUADRETTO ASS.W GLOBAL 2T T S.SIMBO | 1 | 422000780 |

CAMPANA WH80124PQ0

| | |
|-----------|-----------|
| Marca | Whirlpool |
| Capacidad | 80 cm |
| Color | Blanco |



CAMPANA WH80124PQ0

| Marca | | Whirlpool | |
|-------------|-------------------------------------|------------------|-----------------|
| Capacidad | | 80 cm | |
| Color | | Blanco | |
| R e f | Descripción | C a n t | Numero de Parte |
| 301 | DEFLECTOR | 1 | 4109304 |
| 302 | MAIN CABLE + BIPOLAR UL/CSA PLUG | 1 | 4020022 |
| 303 | 1M DIFFUSER | 1 | 4113131 |
| 306 | CABLE CLAMP D223-110 | 1 | 4161633 |
| 307 | MORSETTIERA 3 POLI 2,5MMQ WP (V0) F | 1 | 403000327 |
| 309 | 1M FEEDING COVER | 1 | 4108832 |
| 310 | 1M ELECTRIC WIRING COVER | 1 | 4108834 |
| 311 | M4 MOTOR SECURING NUT | 2 | 4109524 |
| 312 | UTENSILS CAPPING BK | 2 | 4166395 |
| 313 | MOTOR CABLES CLAMP D208-071 | 1 | 4117051 |
| 314 | MOTOR SUPPORT (NF) | 1 | 4165800 |
| 315 | MOTOR 6/40 K 110V-60HZ DX | 1 | 4000287 |
| 316 | RIGHT ROTOR (NF) | 1 | 4120774 |
| 317 | ROTOR SECURING NUT D109-157 | 1 | 4109897 |
| 318 | LAMP HOLDER ART.22.225.3906.51 | 2 | 4022056 |
| 319 | CYLIND. LAMP 40W 125-130 V | 2 | 4021755 |
| 321 | LAMP HOLDER SUPPORT | 1 | 4166103 |