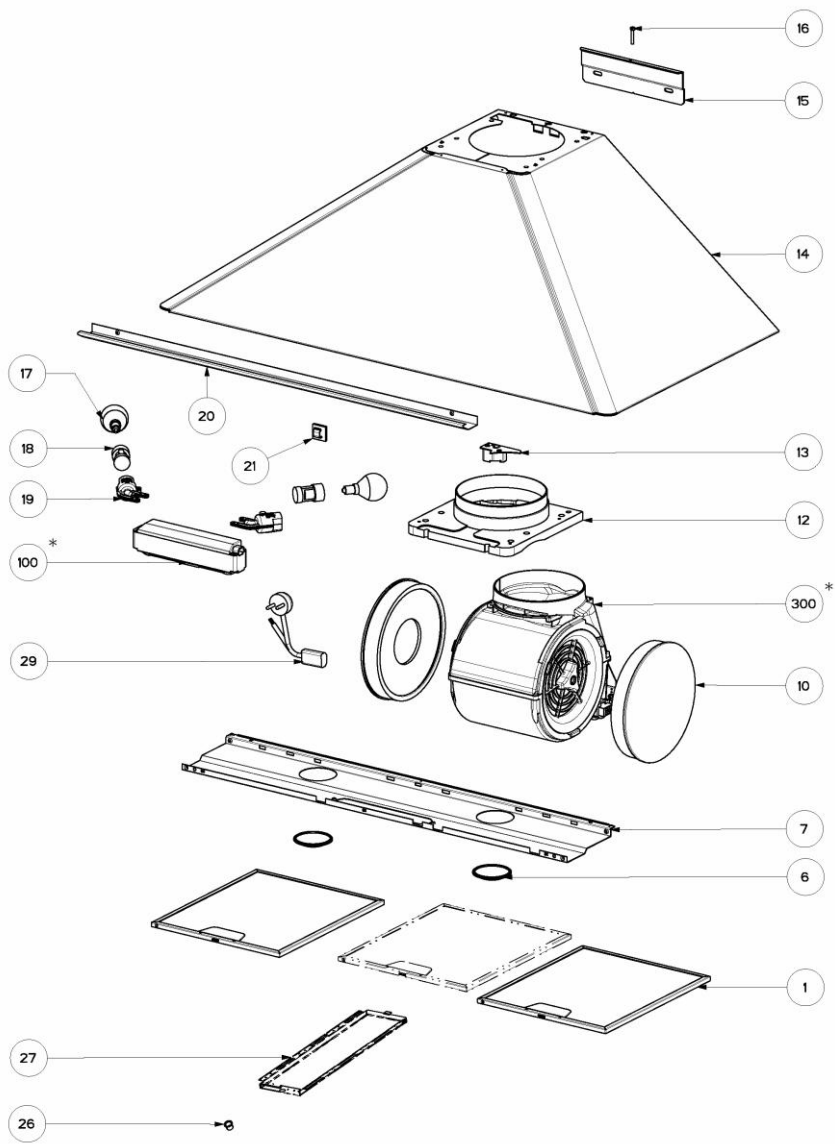


**WH90234PS0**

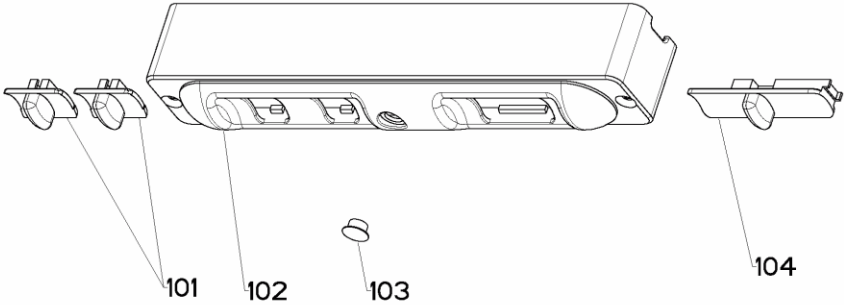
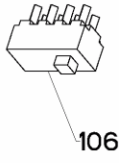
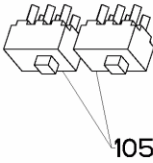
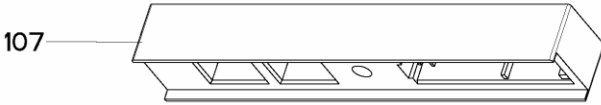




WH90234PS0

*	436002405	LIBRETTO ISTR.WHIRLPOOL MEXICO AURA
	4349179	WIRING DIAGRAM HI-LO M6
1	4268960	METAL FILTER "243
6	4145136	MAKR.REDUCED CEALING
7	4480774	LIGHTING DIFFUSER SUPPORT SS 9
12	4166268	DIFFUSER SUPPORT
13	4117324	ELECTR. MAINCABLE (VO)
14	4405260	CASING X 90 + BOX
15	4465962	FIXING BRACKET
16	4174571	ZINC PLATED SCREW M4X25TE
17	4021782	40W E14 SFERA LAMP 125V
18	4022056	LAMP HOLDER ART.22.225.3906.51
19	4166199	LAMPHOLDER SUPPORT
20	4418320	BACK TRAVERSE X 90
21	4117063	ADHESIVE HOLDERCABLE
29	4020034	WIRE AL 3X0,75
300	424000268	GRUPPO M.HI-LO 6/40 CLI 120-60 HZ

**WH90234PS0**

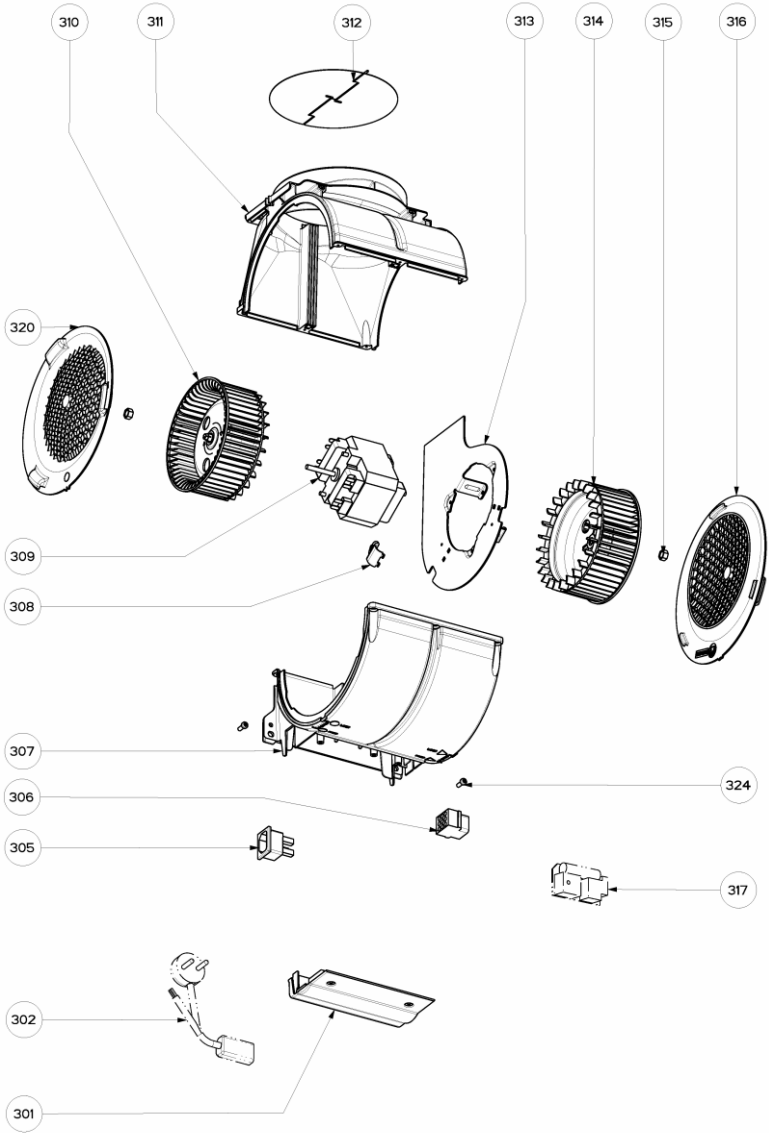




WH90234PS0

101	4022736	BUTTON 2
102	4275425	CONTROL BOX LG
103	4021515	RED PILOT LAMP D10 D10003-009
104	4022735	SPEED BUTTON
105	4021687	SCL2 COMMUTATOR
106	4021688	SCL3 COMMUTATOR
107	4166194	BK CURSORS SUPPORT
108	4109238	CONTROL BOX COVER
109	4021471	CONNECTOR 9 VIE
110	410100264	CABLE FIXING (HIL-LO)

**WH90234PS0**

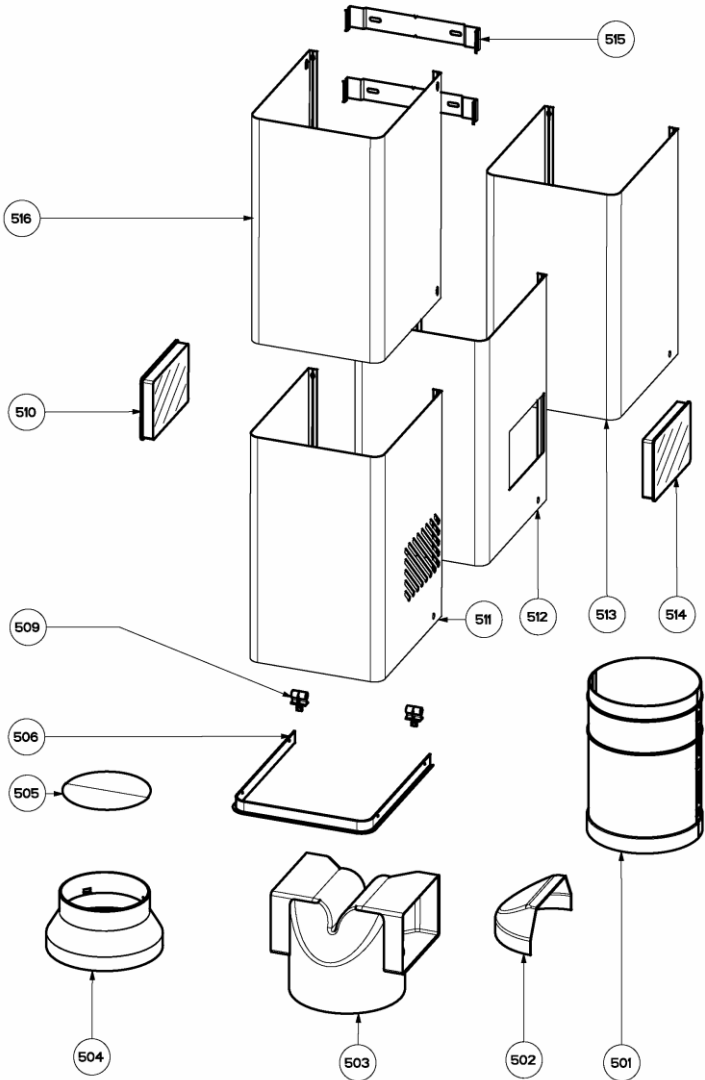




WH90234PS0

301	4108850	SYSTEM COVER (V2)
305	4021336	CONNECTOR
306	4021472	CONNECTOR 9 VIE V2
307	4113137	LOWER DIFFUSER (V2)
308	410100281	MOTOR FIXING CABLE
309	4000284	MOTOR 6/40KA 120-60HZ
310	4120781	SX ROTOR (V2)
311	4113136	UPPER DIFFUSER (V2)
313	4481964	MOTOR SUPPORT
314	4120780	DX ROTOR (V2)
315	4109897	ROTOR SECURING NUT D109-157
316	410100154	AIR ENTRY RIGHT FLANGE
320	410100149	AIR ENTRY LEFT FLANGE
324	417000008	SCREW 4X9

**WH90234PS0**





WH90234PS0

500	TAV.243-702	AURA CHIMNEY 1
503	4149238	FILTERING CONNECTION
504	4120173	SPIGOT 120-150
509	4103261	LOWER CHIMNEY FIX. BUSH
511	4462170	AURA SS LOWER CHIMNEY F 530
515	4465970	CHIMNEY FIXING BRACKET
516	4462300	AURA SS UPPER CHIMNEY H415