

Whirlpool

SERVICE

CENTRO DE SOLUCIONES



LO ORIGINAL MARCA DIFERENCIA

EXPLOSIONADO DE PARTES
-CONGELADOR-
MODELO| WHB53EBTWJ

acros

Whirlpool
CORPORATION

MAYTAG

KitchenAid



REFRIGERADOR WHB53EBTWJ

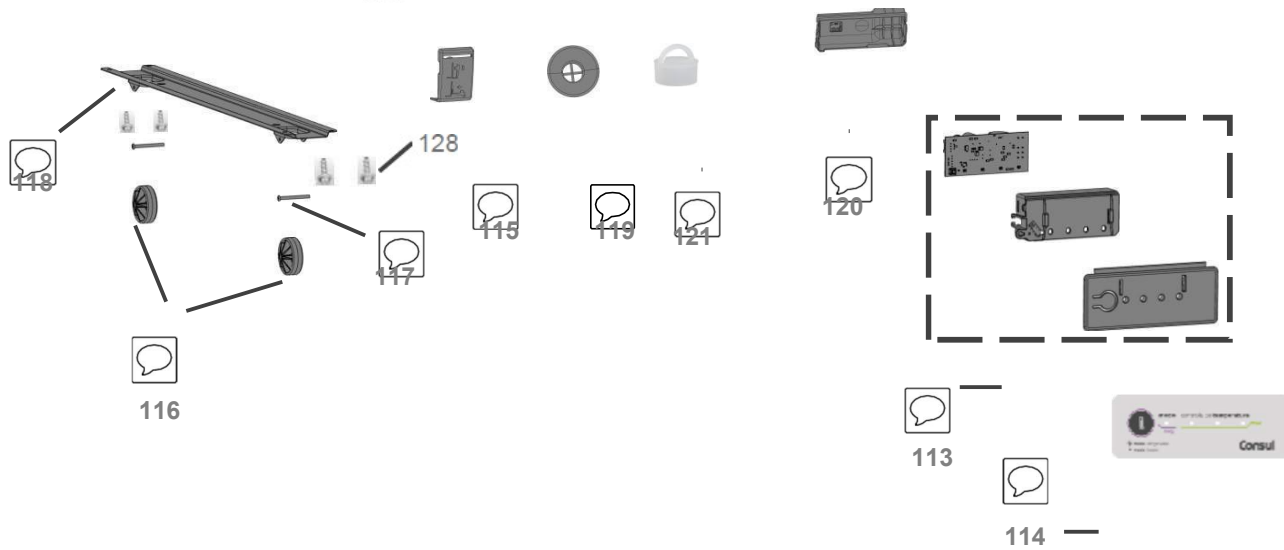
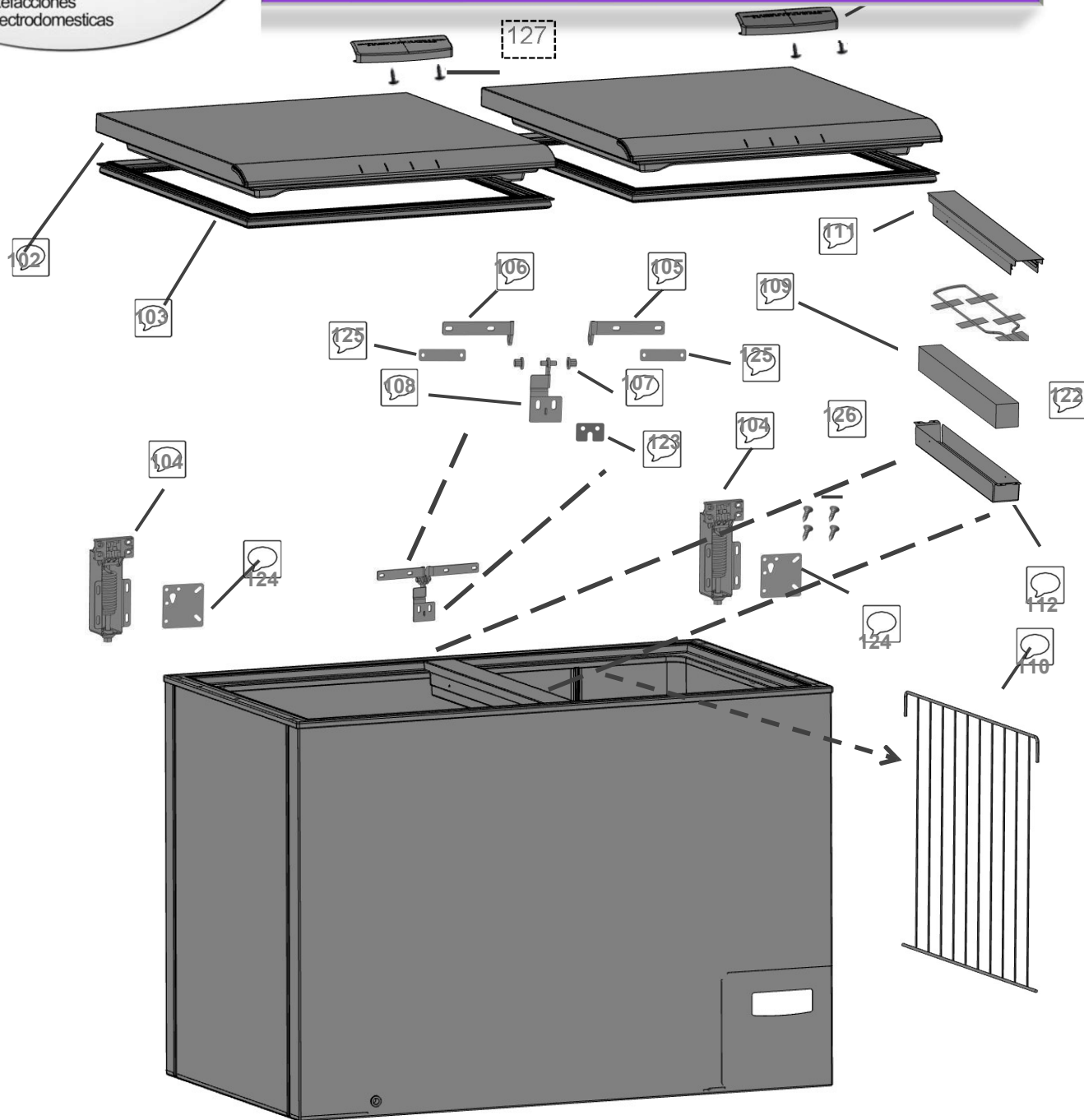


Distribuidor Autorizado

SurteRápido.com

Venta de Refacciones
Electrodomesticas

REFRIGERADOR WHB53EBTWJ

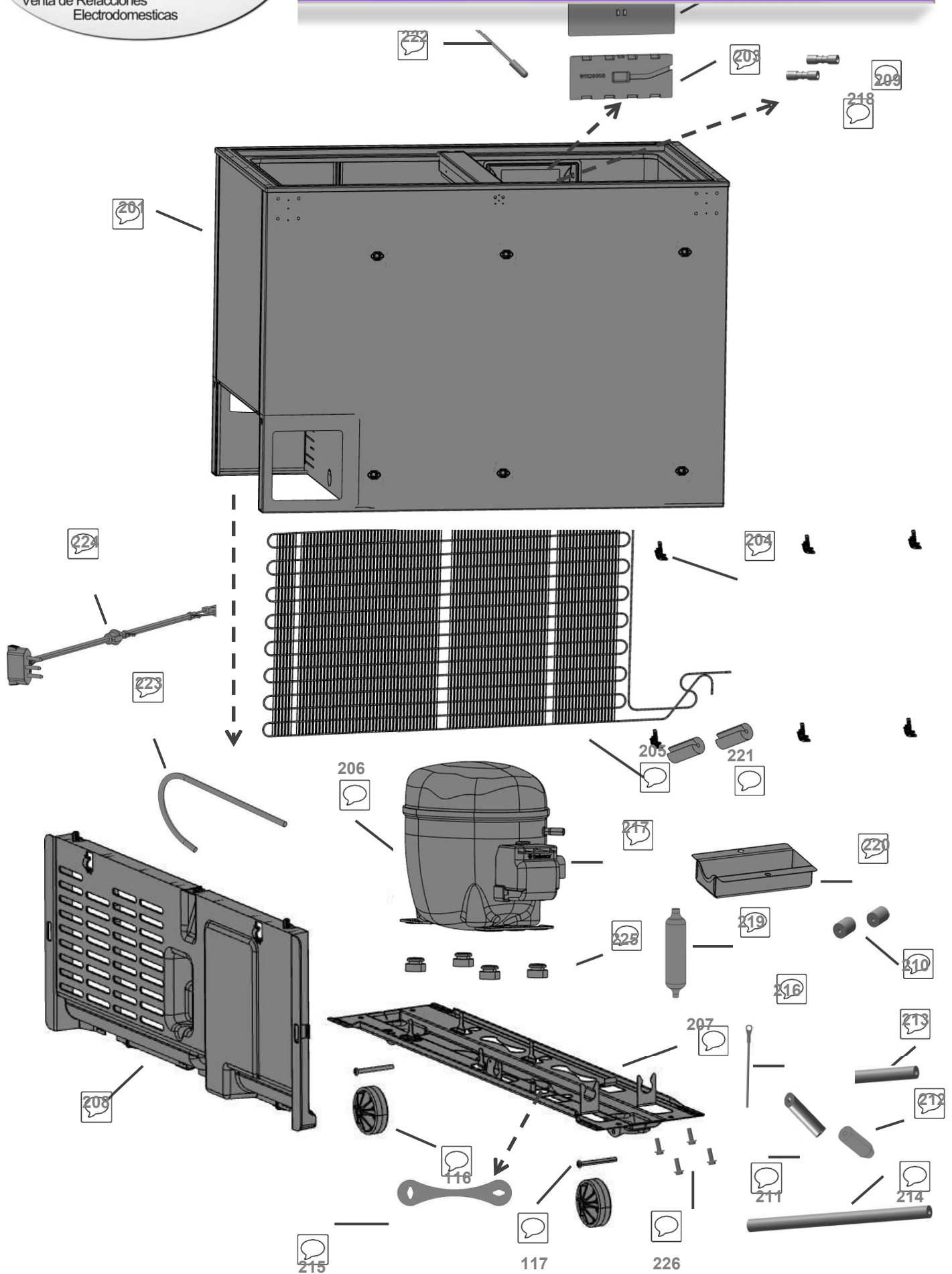




REFRIGERADOR WHB53EBTWJ

| Parte | Descripcion | Descripcion | Qty | Ref |
|-----------|--|---------------------------------|-----|-----|
| W10457838 | PULSADOR CHA/CHB GW | HANDLE CHA/CHB GW | 2 | 101 |
| 326051369 | Puerta CHA22C/CHB53C GW (NOVA) | DOOR CHA22C/CHB53C GW (NEW) | 2 | 102 |
| W10367622 | JUNTA DE PUERTA | PACKED DOOR GASKET | 2 | 103 |
| W10666555 | UNTA DEL CONGELADOR EMB UNIDAD GRIS | FREEZER PACKING UNIT GRAY | 2 | 103 |
| 4197305 | Bisagra de la puerta | DOOR HINGE CJ | 2 | 104 |
| 111725209 | Soporte izquierdo bisagra blanca | HINGE SUPPORT HINGE LEFT WHITE | 1 | 105 |
| 111726205 | Soporte derecho bisagra blanca | HINGE SUPPORT RIGHT HINGE WHITE | 1 | 106 |
| 151134009 | Buje de bisagra | HINGE BUSHING | 2 | 107 |
| 326043895 | Base de la Bisagra blanca | HINGE BASE WHITE STEEL | 1 | 108 |
| 51003055 | Aislamiento cruzado | INSULATION CROSS MEMBER | 1 | 109 |
| W11162718 | REJILLA DIVISORIA | DIVIDER GRID | 1 | 110 |
| W10481420 | PLATO DE ACABADO DE LATON. BLANCO | FINISHING CROSSBAR LAT WHITE | 1 | 111 |
| W10476199 | BARANDILLA DE SEPARACIÓN FH PINTADA GW | PAINTED GW FH PARTITION RAIL | 1 | 112 |
| W11185240 | CAIXA DE CONTROLE CHA53 CONJ | CONTROL BOX CHA53 CONJ | 1 | 113 |
| W11183791 | ESPEJO INTERFACE | INTERFACE MIRROR | 1 | 114 |
| 326043881 | Tapa de drenado | GW DRAIN COVER | 1 | 115 |
| W10207465 | RUEDA C e F | C and F RODIZIUM | 4 | 116 |
| W11373426 | RUEDA | WHEELS BUYED | 4 | 116 |
| 326049953 | Eje de rueda ROHS | ROHS AXLE SWIVEL | 4 | 117 |
| W11184190 | EJE RUEDA ROHS | ROHS SWIVEL CASTOR AXLE | 4 | 117 |
| W11184192 | SUPORTE RUEDA | WHEEL SUPPORT | 2 | 118 |
| 150840007 | Ducto de desagüe | DRAIN DRAIN GATE | 1 | 119 |
| W10245458 | TAPA CAJA DE CONTROL HERCULES | HERCULES CONTROL BOX COVER | 1 | 120 |
| 326011450 | Tapa de drenado | DRAIN COVER | 1 | 121 |
| W10601357 | RESISTENCIA DE LAMINA 127V | FOIL RESISTOR 127V | 1 | 122 |
| W10627160 | CALZA DE BISAGRA LATERAL | LATERAL HINGE SHIM | 2 | 124 |
| W10626877 | ALMOHADILLA DE BISAGRA RECTANGULAR | RECTANGULAR HINGE SHACKLE | 2 | 125 |
| 326049968 | Tornillo bisagra superior | DOOR SUP. HINGE BOLT | 23 | 126 |
| 326049977 | Tornillo AA cabeza de lenteja | AA SCREW LENTIL HEAD | 4 | 127 |
| 326049967 | Tornillo AACS 8X12,7 MM ROHS | AACS SCREW 8X12,7 MM ROHS | 4 | 128 |

REFRIGERADOR WHB53EBTWJ



REFRIGERADOR WHB53EBTWJ

| Parte | Descripcion | Descripcion | Qty | Ref |
|-----------|--|--|-----|-----|
| W11129017 | TAPA HOUSING | HOUSING COVER | 1 | 202 |
| W11128955 | HOUSING EPS | EPS HOUSING | 1 | 203 |
| W11328715 | BLOQUEO DE CONDENSADOR INFERIOR | LOWER CONDENSER CLAMP | 6 | 204 |
| W11160143 | CONDENSADOR EXTERNO FH | EXTERNAL CONDENSER FH | 1 | 205 |
| W10393814 | COMP EMB 1/3 EGAS100HLR R134A 127V | COMP EMB 1/3 EGAS100HLR R134A 127V | 1 | 206 |
| W11184143 | COMPRESSOR EMB EM2S80HLR 115-127V/60HZ | COMPRESSOR EMB EM2S80HLR 115-127V/60HZ | 1 | 206 |
| W11402133 | BASE COMPRESSOR - PLATAFORMA FH | COMPRESSOR BASE - FH PLATFORM | 1 | 207 |
| W11449469 | BASE COMPRESSOR - PLATAFORMA FH | COMPRESSOR BASE - FH PLATFORM | 1 | 207 |
| W11326539 | PROTECION DE COMPRESOR (C+F) | COMPRESSOR PROTECTION (C+F) | 1 | 208 |
| 326008340 | Anillo de linea de succion | SUCTION LINE RING | 2 | 209 |
| W11032727 | JUNTA DE LA LINEA DE SUCCION LOOPING | LOOPING SUCTION LINE GASKET | 1 | 211 |
| 326048837 | Junta EMB de sellado | MULTI PACKING PACKING EMB | 1 | 212 |
| 326013687 | Junta de la linea de succion | SUCTION LINE GASKET | 3 | 213 |
| 326013689 | Junta de tubo de succion gris multi | MULT GRAY SUCTION LINE PACKING | 1 | 214 |
| W10508880 | JUNTA DE LINEA DE SUCCION | SUCTION LINE GASKET | 1 | 214 |
| W11187249 | TIRA FIJACION COMPRESSOR (C+F) | COMPRESSOR FIXING STRIP (C+F) | 2 | 215 |
| W10215661 | RELE CRT EGAS 100HLR 127V/60HZ | CJ. EGAS 100HLR CRT RELAY 127V/60HZ | 1 | 217 |
| 217654 | LOKRING 7MM | LOKRING 7MM | 1 | 218 |
| W10699240 | FILTRO SECADOR METALICO | METAL FILTER DRIER | 1 | 219 |
| 326054867 | CAJA DE CONDUCCION | JUNCTION BOX | 1 | 220 |
| W10742669 | AMORTIGUADOR DE RUIDO | NOISE DAMPER | 2 | 221 |
| W10531315 | SENSOR TEMP DE REFRIG 2 7K ohm | COOL TEMP SENSOR 2 7K ohm | 1 | 222 |
| W11129342 | REDE ELETRICA ATHENA 127V | MACAN ATHENA ELECTRICAL NETWORK 127V | 1 | 224 |
| 326073268 | BASE DE AMORTIGUADOR DE VIBRACIONES | VIBRATION DAMPER BASE | 4 | 225 |

302



304



303



312

305

341

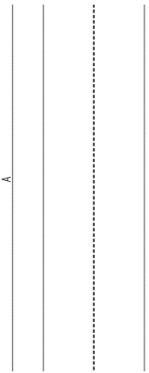
313

317



315

316



1



322



324



325



326



327



REFRIGERADOR WHB53EBTWJ

| Parte | Descripcion | Descripcion | Qty | Ref |
|-----------|--|---|-----|-----|
| 406306 | Abrazadera sin fin | washer 142x3,7x1,1 | 1 | 301 |
| 110913001 | Arandela del compresor | WASHER OF THE COMPRESSOR'S FOOT | 4 | 304 |
| 151208002 | Arandela 8,5 (BTRF0128) | WASHER 8,5 (BTRF0128) | 4 | 304 |
| 152902000 | Arandela 10,0 | WASHER 10,0 | 2 | 305 |
| 152374003 | Casquillo de gabinete | CABINET BUSHING | 1 | 314 |
| 151438008 | Buje superior de la puerta | DOOR SUP BUSHING | 1 | 315 |
| W10416685 | CAPILAR DE FABRICA (40X 50X 3MM) | FACTORY CAPILLARY BLANKET (40X 50X 3MM) | 1 | 316 |
| W11183789 | ETIQUETA FREEZER | FREEZER LABEL | 1 | 319 |
| 74075002 | Varilla de soldadura | SOLDERING ROD 15% AG | 5 | 322 |
| 326058157 | DETECTOR DE FUGAS R134A | R134A LEAK DETECTOR | 1 | 324 |
| 326072300 | CUBIERTA DE TUBO DE COBRE | COPPER TUBE CAP R600 | 3 | 325 |
| W10202109 | LUBRIFICANTE 111 VALVE LUBRICANT & SEALA | 111 VALVE LUBRICANT & SEALA | 1 | 326 |
| W10733226 | TUBO DE CARGA COM EXPANSAO 6,35X115MM | EXPANDING CHARGE PIPE 6,35X115MM | 1 | 327 |
| W10165566 | PROTECCION ISOLMANTA 100X160MM | ISOLMANTA PROTECTION 100X160MM | 2 | 328 |
| W11046681 | TAPAFUGAS 12ML | LEAK STOPPER 12ML | 1 | 329 |