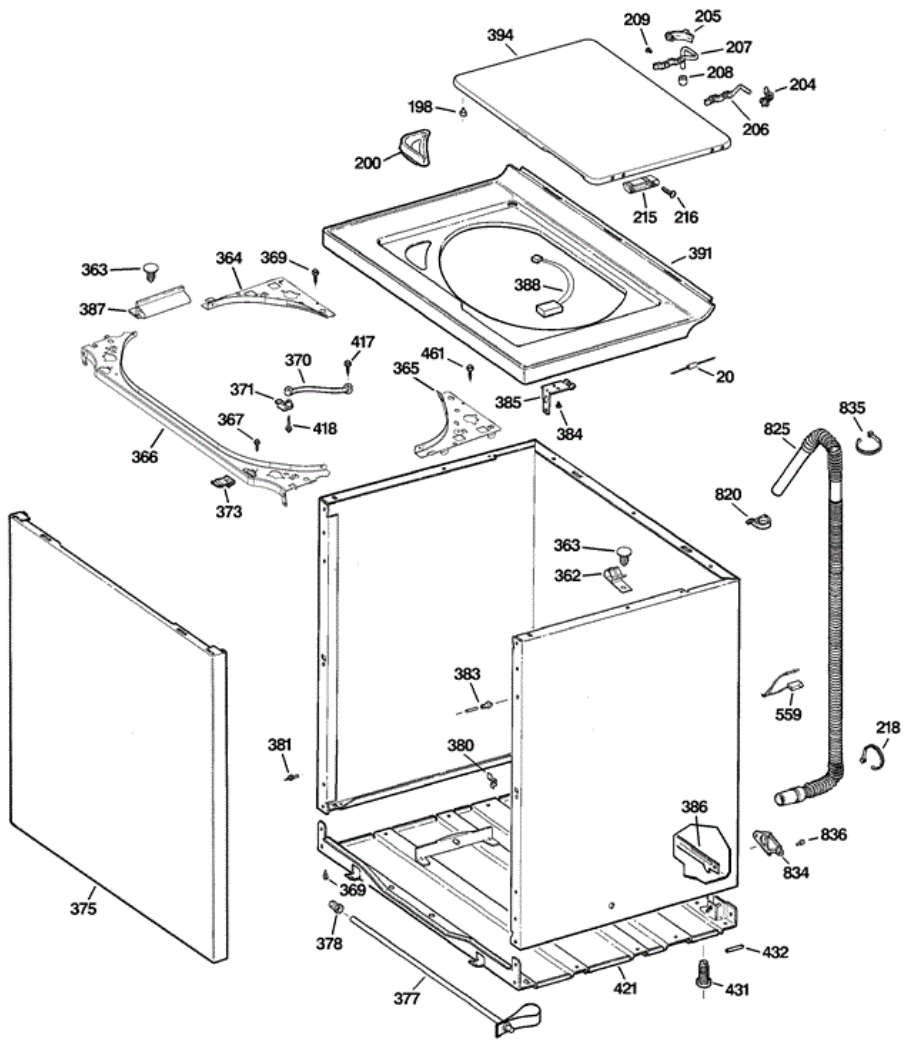


**WHRE550K2WW GABINETE**



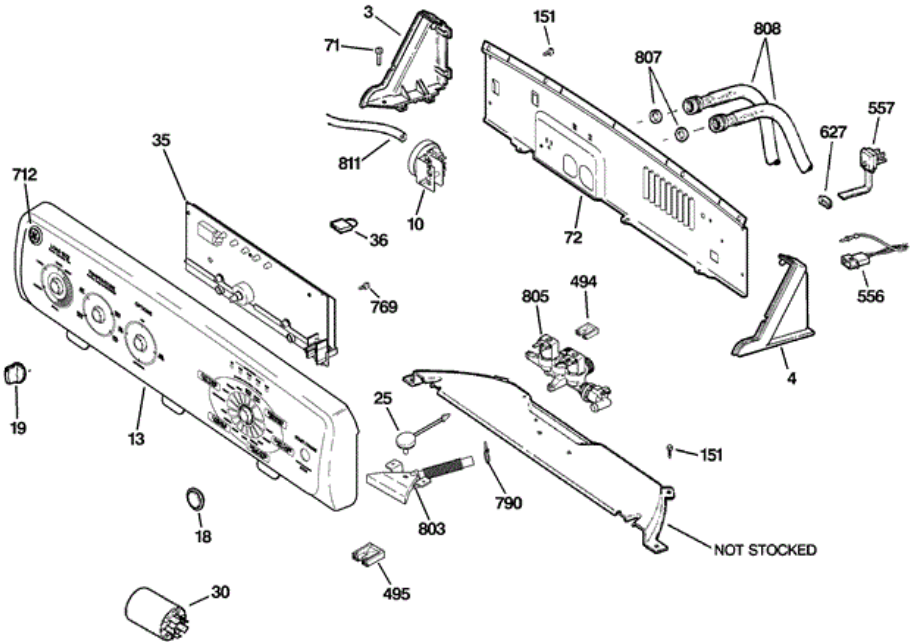


## WHRE5550K2WW GABINETE

20	WH49X10041	KIT - FUSE HARNESS
198	WH01X2722	BUMPER LID
200	WH01X10057	FUNNEL BLEACH
204	WH01X2741	BUSHING HINGE (SINGLE)
205	WH01X10025	BUSHING HINGE-FRONT OPEN
206	WH01X2740	WIREFORM HINGE
207	WH01X2743	WIREFORM HINGE
208	WH01X2742	BUMPER HINGE
209	WH02X1211	SCREW
215	WH12X10276	MAGNET ASM
216	WH02X10217	SCR 8-16 B FLP .625 ZN
218	WR02X11607	WIRE TIE
362	WH02X10263	CHRISTMAS TREE WIRE CLIP
363	WH02X10258	PLUG PINETREE
364	WH16X10101	BRACKET APRON LEFT
365	WH16X10102	BRACKET APRON RIGHT
366	WH16X10117	BRACKET APRON FRONT
367	WH02X10301	SCR 8-18 AB HW 1/2 S
369	WH02X1217	SCR 8-18 AB IHW 7/16 SN
370	WH01X10046	STRAP DAMPING
371	WH01X2726	RETAINER STRAP
373	WH02X10279	CLIP LOCKING
375	WH46X10109	PANEL & BRACE ASM WH
377	WH46X0344	BAR SHIPPING
378	WH01X2745	BUTTON PLUG
380	WH02X1207	CLIP GROUND
381	WH02X1190	STUD GROUNDING
383	WH02X1189	PIN ALIGNMENT
384	WH01X10109	SCR 8-15 A 3/4 SP HXW
384	WH01X10423	SCR 6-20 B TRT 3/8 S
385	WH01X10422	COVER CLIP
386	WH46X10094	BAR SELF LEVELING
387	WH41X10161	CONDUIT

388	WH12X10334	LID SWITCH ASM
391	WH44X10027	COVER ASM FINISHED WH
394	WH44X10209	LID ASM FINISHED
417	WH02X0694	SCR 10-12 A HX 1/2 S
418	WH02X10282	SCR 8-18 B IHW 1 S
421	WH46X10145	BASE ASM
431	WH02X1187	LEG LEVELING
432	WH02X1188	PIN ROLL
461	WZ05X0158	SCREW 8-32X3/8 GRD SCR
559	WH12X0538	HOUSING TERMINAL
820	WH01X2725	CLIP ANTI-SIPHON
825	WH41X10096	HOSE DRAIN EXTERNAL
834	WH16X0513	RETAINER HOSE
835	WH01X10218	STRAP
836	WH02X10162	SCR 8-18 AB IHWP 7/8 S

**WHRE5550K2WW TABLERO**

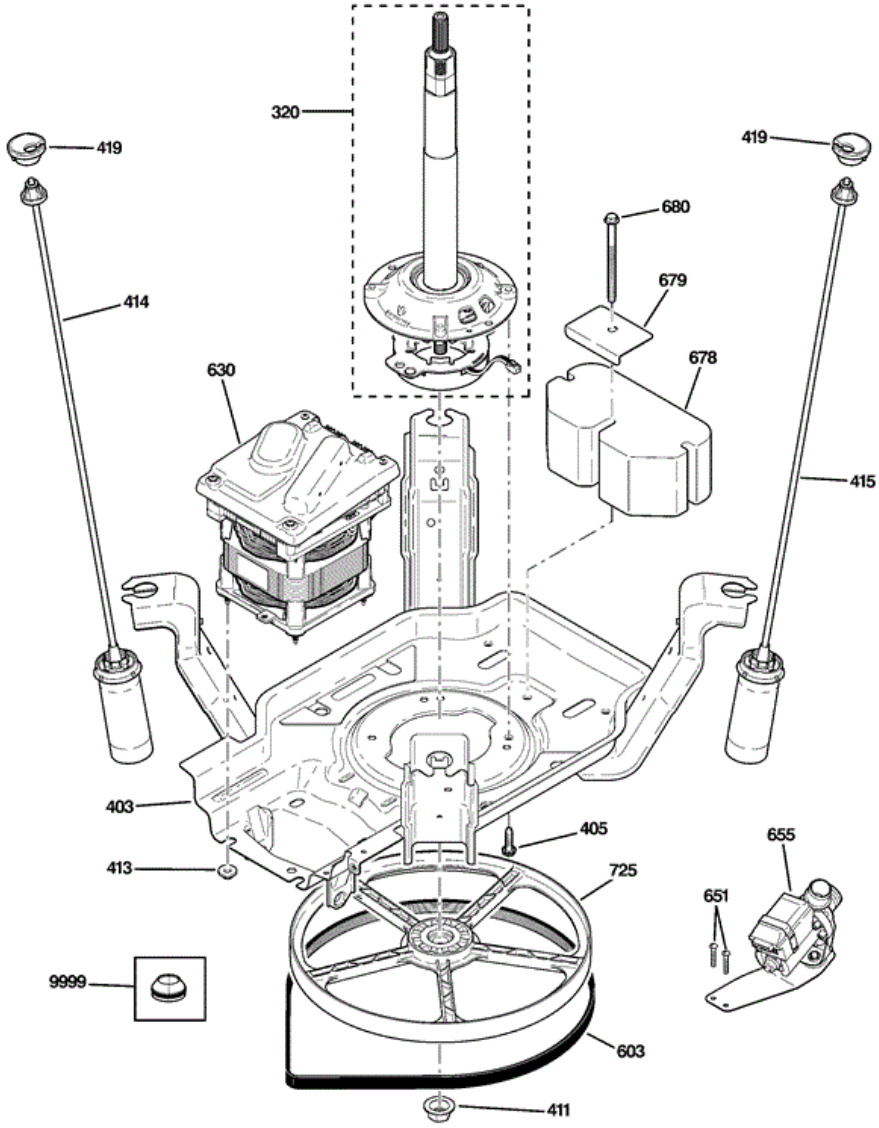




## WHRE5550K2WW TABLERO

3	WH42X10634	ENDCAP LH WH
4	WH42X10633	ENDCAP RH WH
10	WH12X10413	SWITCH PRESSURE
13	WH42X10764	BACKSPLASH ASM
18	WH01X10088	SWITCH START/STOP
19	WH01X10315	KNOB ASM
25	WH12X10411	PROBE SENSOR ATC
30	WH12X10408	FILTER POWER LINE
35	WH12X10439	BOARD ASM MOUNTED
36	WH12X10111	CONNECTOR MODEL SELECT
71	WH02X1205	SCR 8-18 B 1/2 HXW P
72	WH46X10146	PANEL BACK WASHER
151	WH02X10126	SCR 8-18 B 1HW 1/2 SN
494	WD21X10257	HOUSING TERMINAL
495	WD21X10258	TERM HSNG - SOLENOID
556	WH12X0497	HOUSING TERMINAL
557	WH19X0311	CORDSET ASM
627	WH12X10208	SELF LOCKING STRAIN RELF
712	WD34X11472	BADGE
769	WH02X10236	SCR M4-1.44 B PA 25 S
769	WR01X10196	SCR 8-18 HI/LO 5/8
790	WH01X2036	CLAMP HOSE
803	WH41X10206	FUNNEL SHOWER HEAD
805	WH13X0086	VALVE TRIPLE WATER
807	WH02X10161	WASHER FLAT
808	WH41X10094	HOSE INLET ASM
808	WH41X10095	HOSE INLET ASM
811	WH41X0365	HOSE PRESSURE SWITCH

**WHRE5550K2WW TRANSMISION**

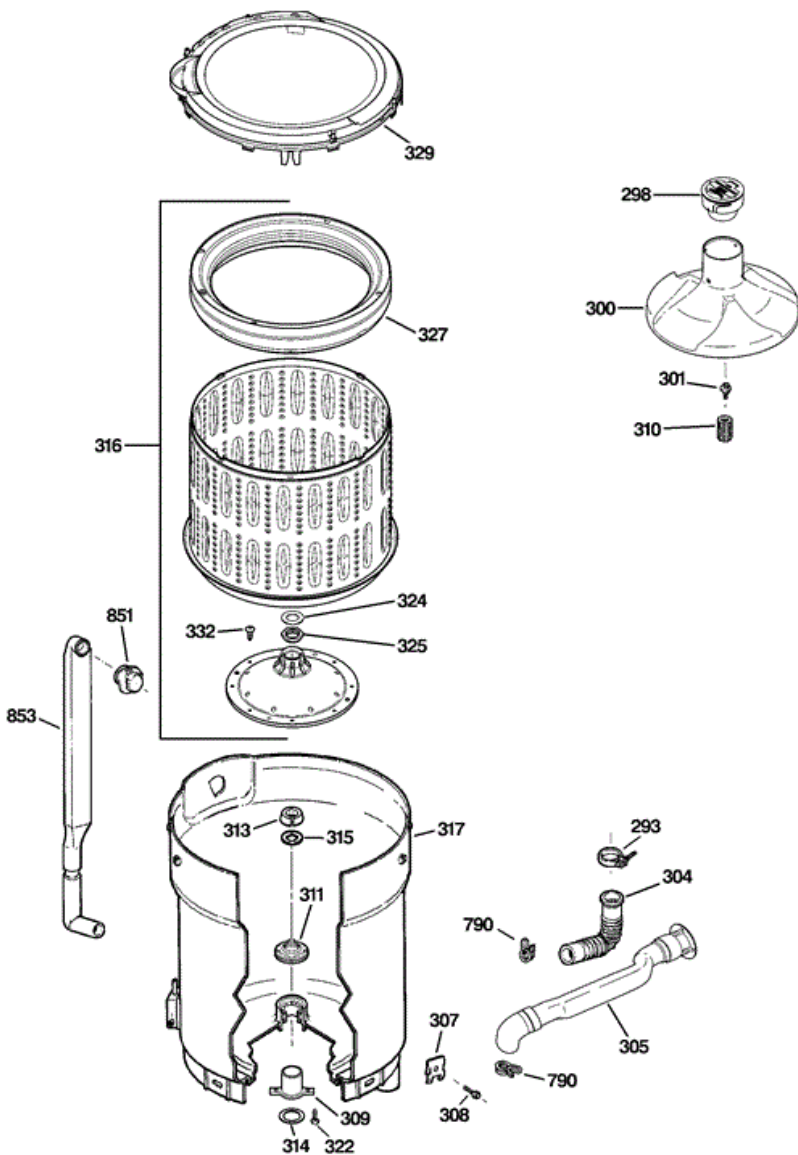




## WHRE5550K2WW TRANSMISION

320	WH38X10017	SHAFT AND TUBE ASM
403	WH17X10016	LEG AND PLATFORM ASM
405	WH02X1201	SCR 1/4-20 B HXW 3/4 SNS
411	WH02X1203	NUT PULLEY
413	WH02X10233	HEX NUT OVERMOLD ASM
414	WH16X0545	ROD & SPRING ASM
415	WH16X10057	ROD & SPRING ASSY/GREEN
419	WH01X10001	SOCKET ROD SUPPORT
603	WH01X10353	BELT
630	WH20X10064	MOTOR/INVERTER ELECTRONI
651	WH02X10123	SCR 1/4-20 TPT 1H 1/2 SN
655	WH23X10013	PUMP
678	WH01X10303	COUNTERWEIGHT
679	WH01X10304	BRACKET COUNTERWEIGHT
680	WH02X10235	SCR 1/4-20 B HXW 3.9 SNS
725	WH07X10019	PULLEY DRIVEN
9999	WX05X10102	BELT INSTALLATION TOOL

**WHRE5550K2WW TINAS**







## WHRE5550K2WW TINAS

293	WH01X10134	CLAMP HOSE
298	WH43X10039	DISPENSER ASM FS
300	WH43X10038	PULSATOR ASM
301	WH02X10284	SCR 1/4-20 MCH HXW 5/8 S
304	WH41X10163	HOSE DRAIN INLET
305	WH41X0374	HOSE DRAIN ASM
307	WH01X2730	CLAMP - TUB
308	WH02X10267	SCR 5/16-18 TPT IHW S N
309	WH02X1198	BEARING TUB
310	WH43X10037	COUPLING PULSATOR
311	WH02X10032	SEAL TUB
313	WH02X1195	RING SPLIT
314	WH02X1197	WASHER TUB BEARING
315	WH02X1199	FLAT WASHER
316	WH45X10060	BASKET HUB & RING
317	WH45X10024	TUB ASM X-LARGE
322	WH02X1194	SCREW
324	WH02X10283	WASHER THRUST
325	WH02X1193	NUT HUB
327	WH45X0152	BALANCE RING ASM
329	WH45X10022	COVER TUB
332	WH02X10139	SCR 10-32 B TRT-25 5/8
790	WH01X2036	CLAMP HOSE
851	WH01X2729	GASKET FLOOD HEAD
853	WH41X0369	HOSE FLOOD