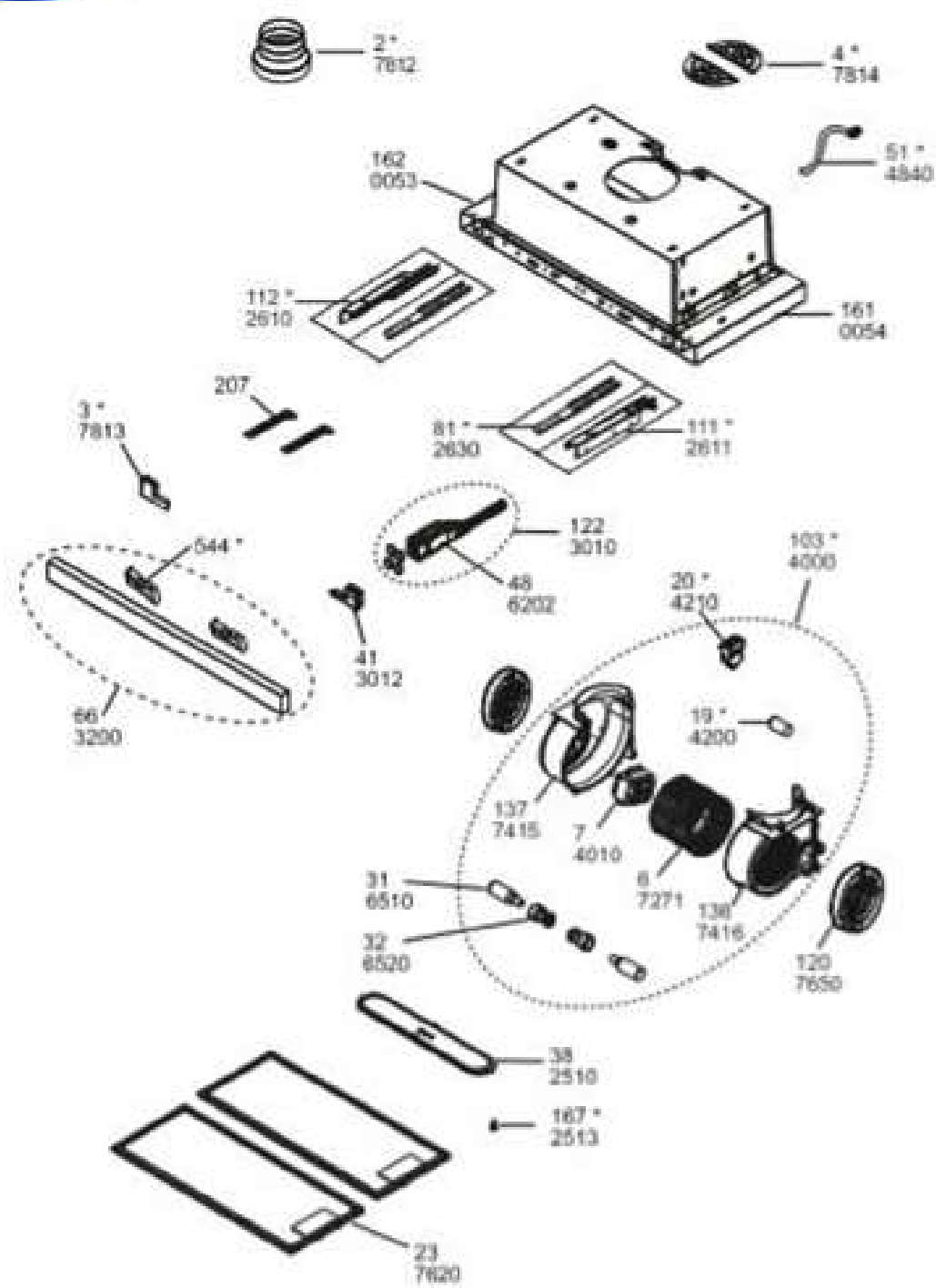





| ID | ID 2 | Code | Description Descrizione | UM | Qty |
|-----|------|----------------|--|----|-------|
| 38 | 2510 | PLA0045868E | LAMP COVER PLAF.ELITE (TT14-TT26) 3W | EA | 1,000 |
| 122 | 3010 | AGC0091549 | COMPLETE SLIDER P4T3V+TASTI 60CM(TT14-TT26)GR | EA | 1,000 |
| 41 | 3012 | CRU0032334A | CONTROL PANEL CRUSC.PULS.MEC.ELITE(TT14-TT26) GR | EA | 1,000 |
| 66 | 3200 | CRU001604892AB | DASHBOARD FR.S.WHIRLPOO IX/60 | EA | 1,000 |
| 103 | 4000 | AGR0170382 | COMPLETE MOTOR GM.ELITE 14 (TT14) K42 018 2LB IEC | EA | 1,000 |
| 31 | 6510 | LMP0157181 | LAMP LED E14 120V 3W 2700K OL.FIL. NO UL | EA | 2,000 |
| 23 | 7620 | GRI0025433A | GREASE FILTER GFA 1+2+1 AL/AL/AL 185x457 AI 1A UL | EA | 2,000 |
| 120 | 7650 | CFC0038000 | CARBON FILTER KIT FIL.CAR.MOD.58 MULT.2PZx8 ELICA | EA | 1,000 |
| 3 | 7813 | TAP0027482A | PLUG TAPPO FIANCO ELITE(TT14-TT26)GRAY | EA | 1,000 |
| 4 | 7814 | VNR0040248A | VALVE VALV.NON.RIT.FUMI D.120 | EA | 2,000 |



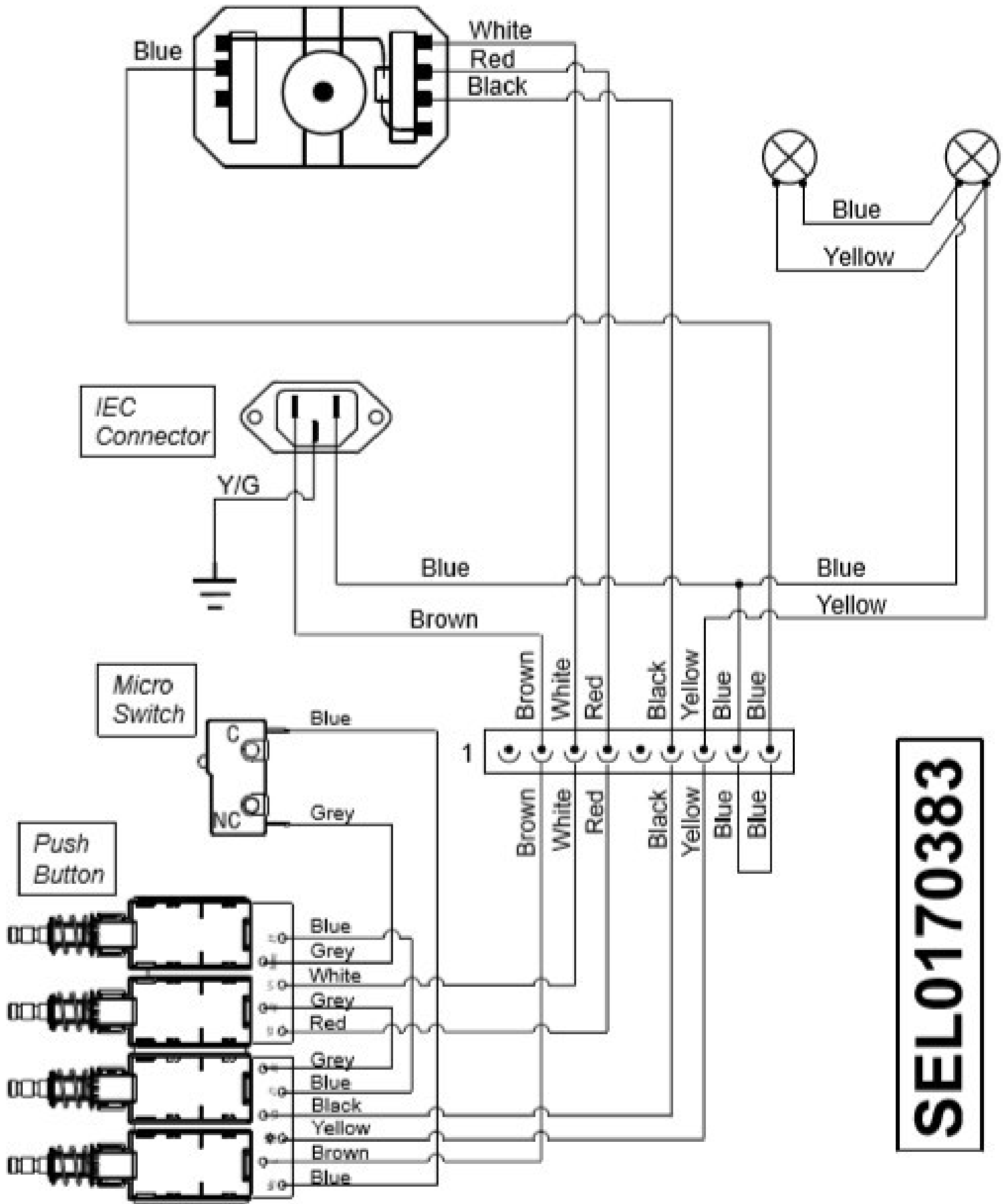
CAMPANA WHT6030S



-  519 * 9930
 -  999 * 9930
 -  574 * 9930
- *Optional



CAMPANA WHT6030S



SEL0170383