

Whirlpool
CORPORATION

CENTRO DE SOLUCIONES



LO ORIGINAL MARCA DIFERENCIA

EXPLOSIONADO DE PARTES

— Campana Decorativa —
MODELO | WHW9910S

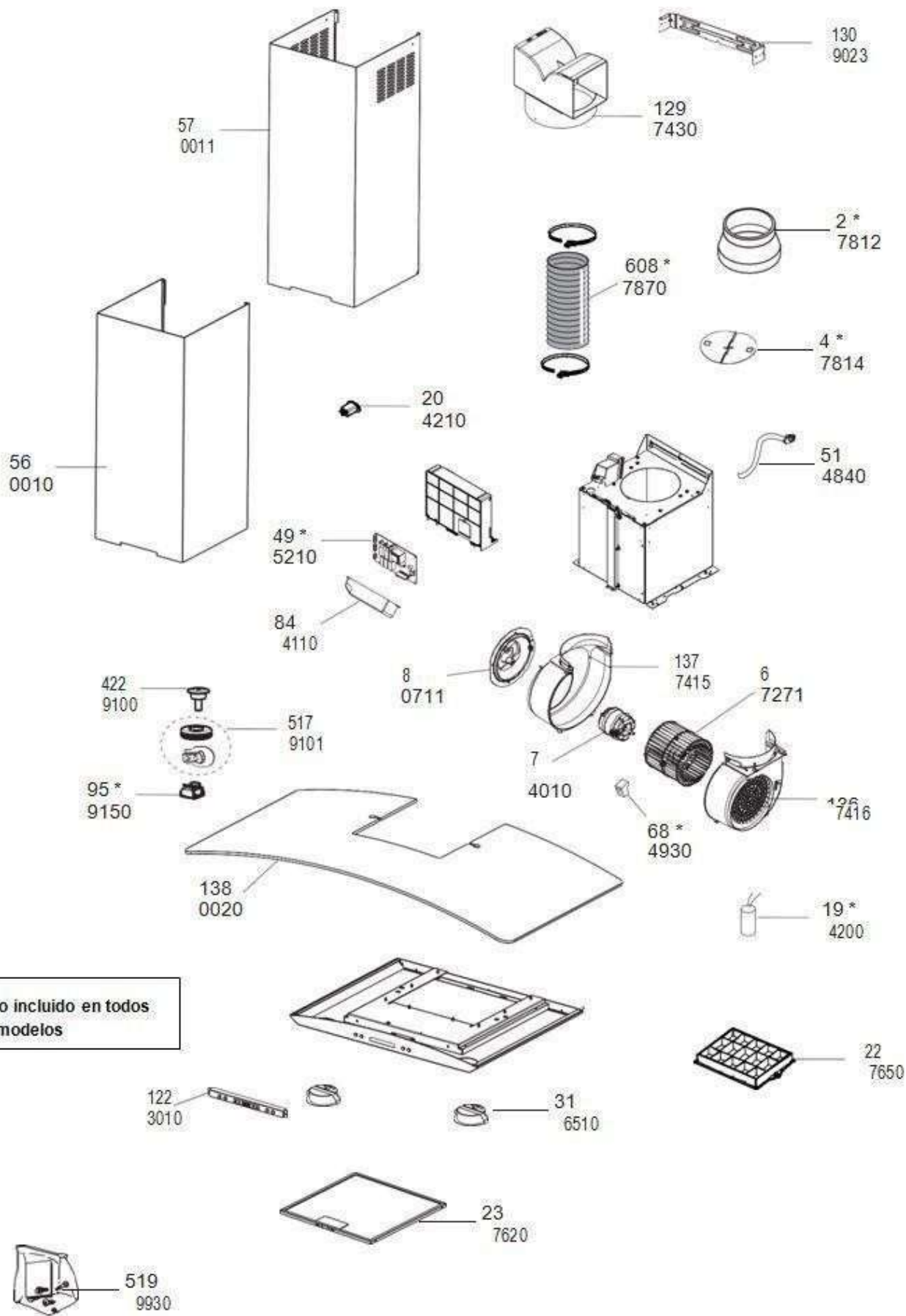
acros

Whirlpool
CORPORATION

MAYTAG

KitchenAid

Campana Whirlpool WHW9910S



* No incluido en todos los modelos

ID	No. de Parte	Descripción	Cantidad
2 7812	3010EH	CONVEYOR	1
4 7814	VNR0029514A	VALVE	2
6 7271	GN01WB	FAN WHEEL	1
7 4010	MOT0138556	MOTOR COUNTERCLOCKWISE ROTATION	1
8 0711	SUP0021041E	MOTOR SUPPORTING	1
19 4200	2029P/R	CAPACITOR	1
20 4210	2710AV	NOISE FILTER	1
22 7650	F00333	CARBON FILTER	1
23 7620	GF02HB	GREASE FILTER	1
31 6510	LMP0120611	LAMP	2
49 5210	ECB0130346	ELECTRONIC VARIATOR	1
51 4840	CI02WB	WIRING	1
56 0010	TB17YE	BOTTOM CHIMNEY SECTION	1
57 0011	TB17ZE	UPPER CHIMNEY SECTION	1
68 4930	3078K	COVER CABLE BOX	1
84 4110	TRF0096050	TRASFORMER	1
95 9150	DD01CA/R	NUT	2
122 3010	AGC0135932	COMPLETE SLIDER	1
129	RR01UB	T CONNECTION	1

7430

130	SF1LUA	CHIMNEY FASTENING BRACKET	1
-----	--------	---------------------------	---

9023

136	CNV0097570A	RIGHT HALF CONVEYOR	1
-----	-------------	---------------------	---

7416

137	CNV0097569A	LEFT HALF CONVEYOR	1
-----	-------------	--------------------	---

7515

138	MN2I2C	SHELL	1
-----	--------	-------	---

0020

422	VT029A	GLASS CLAMPING SCREW	2
-----	--------	----------------------	---

9100

517	3025B	BUSH	2
-----	-------	------	---

9101

519	DOC0142643	DOCUMENTATION	1
-----	------------	---------------	---

9930

608	KIT0094725	ALUMINIUM DUCT SUCTION & METAL BANDS	1
-----	------------	--------------------------------------	---

7870