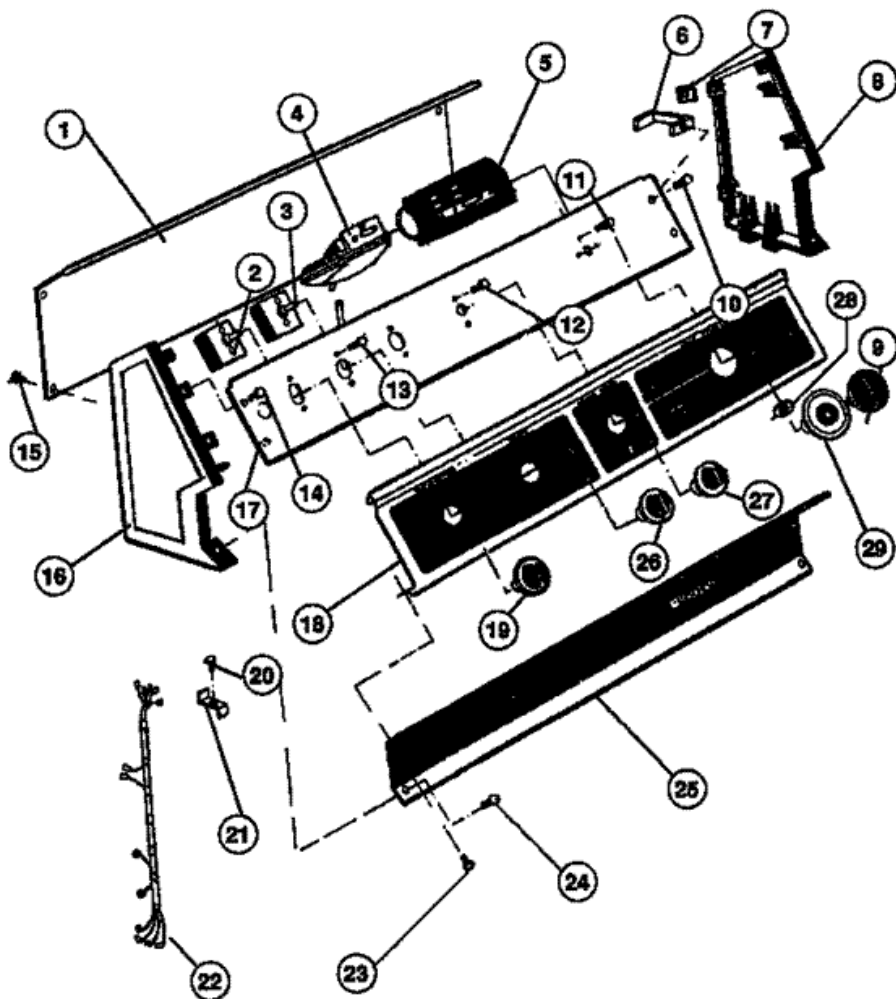


Distribuidor Autorizado

SurteRápido.com

Venta de Refacciones
Electrodomesticas

WISCL6 TABLERO





WISCL6 TABLERO

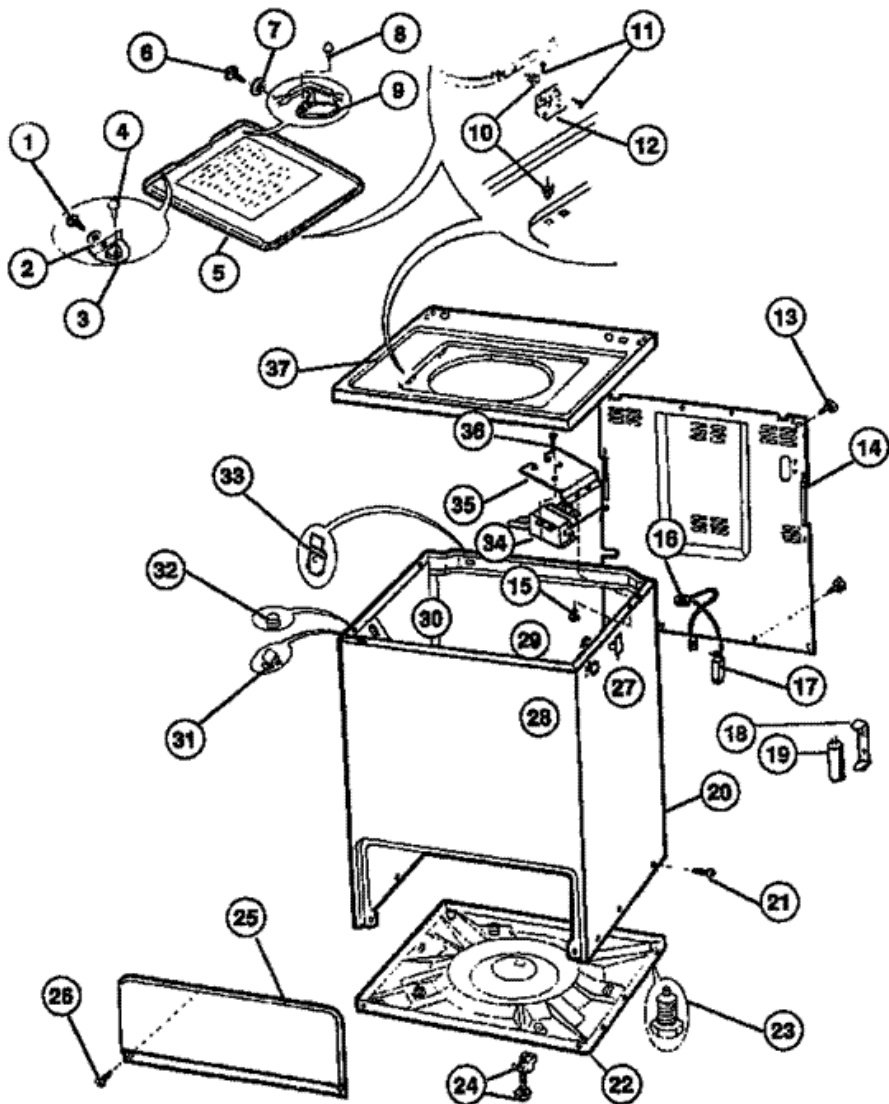
1	8010781	PANEL-CONSOLE REAR (S/P)
2	8008463	SWITCH-WATER TEMP. SELECTOR (S/P)
3	8014351	SWITCH-SPEED SELECTOR (S/P)
4	8010860	SWITCH-WATER LEVEL (S/P)
5	5303015648	TIMER-WASHER (S/P)
6	8014349	STRAP-GROUND (S/P)
7	8014350	CLIPS (8) (S/P)
8	5308010787	END-CAP R.H. (S/P)
9	8014337	KNOB-TIMER (S/P)
10	8010789	SCREWS (2) (S/P)
11	8006636	SCREWS (2) (S/P)
12	8002339	SCREWS (2) (S/P)
13	8002284	SCREWS (2) (S/P)
14	8002284	SCREWS (2) (S/P)
15	8010782	SCREWS (4) (S/P)
16	5308010783	END-CAP L.H. (S/P)
17	8014339	BRACKET-CONTROL MTG. (S/P)
18	8014342	ESCUTCHEON (S/P)
19	8014340	KNOB-WATER TEMP. SWITCH (S/P)
20	8001689	SCREW (S/P)
21	8002341	TERMINAL (S/P)
22	3200308	WIRING HARNESS DESCONTINUADO
23	8010782	SCREWS (3) (S/P)
24	8011318	SCREWS (2) (S/P)
25	8014343	TRIM-LOWER (S/P)
26	8014340	KNOB-SPEED SWITCH (S/P)
27	8014340	KNOB-WATER LEVEL SWITCH (S/P)
28	8015493	SPACER (S/P)
29	8015498	INDICATOR-TIMER DIAL (S/P)

Distribuidor Autorizado

SurteRápido.com

Venta de Refacciones
Electrodomesticas

WISCL6 GABINETE





WISCL6 GABINETE

1	8002407	SCREW (S/P)
2	8002408	WASHER-NYLON (S/P)
3	8015519	BRACKET-LID (S/P)
4	8015520	BUMPER (S/P)
5	8015526	LID-WASHER (ALMOND) (S/P)
6	8002407	SCREWS (3) (S/P)
7	8002408	WASHER (4) (S/P)
8	8015520	BUMPERS-LID (2) (S/P)
9	5303209724	STRIKE (S/P)
10	8010830	GROMMET SCREWS (4) (S/P)
11	8027483	SCREWS (4) (S/P)
12	8002412	HINGES (2) (S/P)
13	8001559	SCREWS (16) (S/P)
14	8011286	PANEL-BACK (S/P)
15	8002420	RIVETS (2) (S/P)
16	8004647	ELECTRICAL SERVICE CORD (S/P)
17	8015515	CORD-ELECTRICAL SERVICE (S/P)
18	8014902	BRACKET-CAPACITOR (S/P)
19	131212302	CAPACITOR DESCONTINUADO
20	8015514	SHELL-CABINET (ALMOND) (S/P)
21	8001613	SCREWS (6) (S/P)
22	8011290	BASE-WASHER (S/P)
23	5303309673	FOOT (4)
24	8004066	BLOCK-SHIPING & SCREW (S/P)
25	8011263	PANEL-ACCESS (ALMOND) (S/P)
26	8006545	SCREWS (2) (S/P)
27	8011305	CLIP, LONG (S/P)
28	8011304	CLIP, SHORT (S/P)
29	8004099	CLIPS (2) (S/P)
30	8001622	SCREWS (2) (S/P)
31	8001597	CLIP-SPRING (2) (S/P)
32	8001596	BUMPERS (4) (S/P)
33	8002384	HINGES-TOP (S/P)

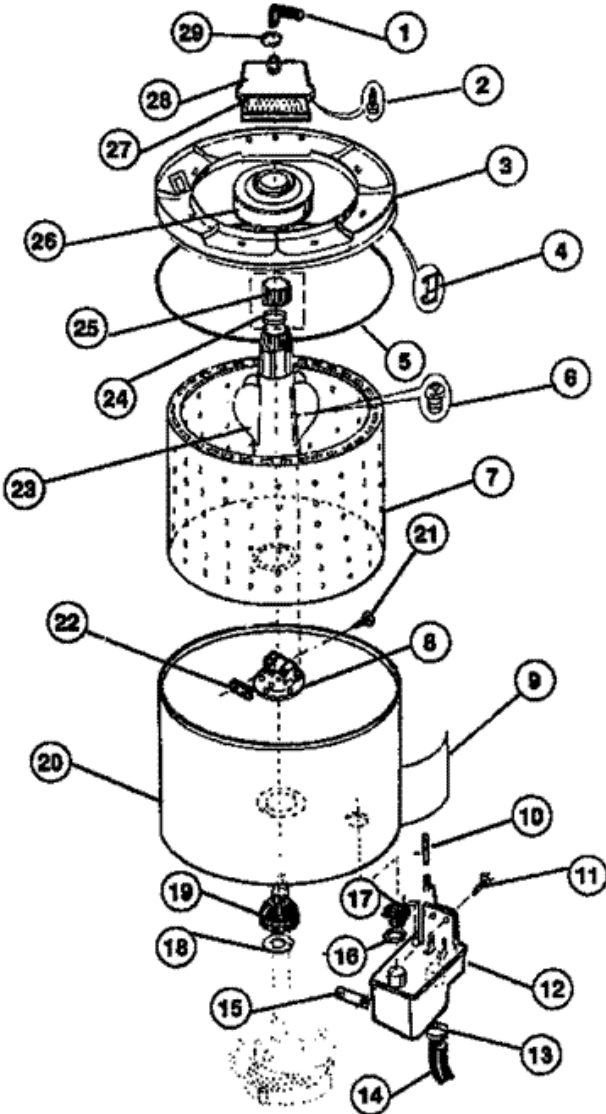
34	5303937050	LOCK-LID (S/P)
35	3018963	BRACKET DESCONTINUADO
36	3018964	SCREWS (2) DESCONTINUADO
37	5303019082	PANEL TOP (ALMOND) DESCONTINUADO

Distribuidor Autorizado

SurteRápido.com

Venta de Refacciones
Electrodomesticas

WISCL6 TINAS





WISCL6 TINAS

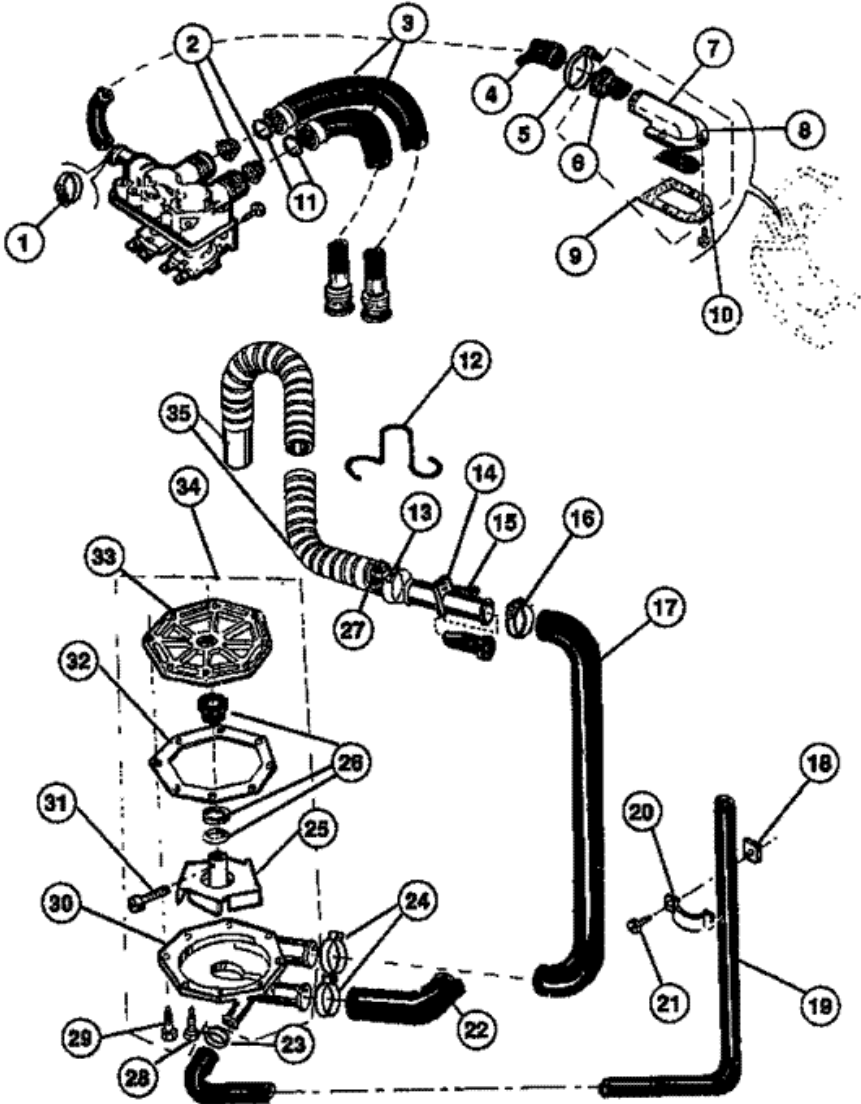
1	8002353	HOSE-PUMP TO LINT FILTER (S/P)
2	8002432	SCREWS (5) (S/P)
3	8011314	SUB-TOP (S/P)
4	8002429	CLIPS (10)
5	5303161199	SEAL (S/P)
6	8015509	SCREWS (5) (S/P)
7	8015495	BASKET-INNER WASH (S/P)
8	5308014908	SUPPORT-TUB (S/P)
9	8011275	SHIELD (S/P)
10	8015491	HOSE-PRESSURE FILL (S/P)
11	8011280	SCREWS (2) (S/P)
12	5303206795	TRAP-BUTTON/DRAIN DESCONTINUADO
13	8014913	CLAMP (S/P)
14	8002364	HOSE-TRAP TO PUMP (S/P)
15	8011303	NUT (S/P)
16	5308002367	CLAMP (S/P)
17	8006674	GROMMET (S/P)
18	8002401	WASHER-THRUST (S/P)
19	5308027536	BEARING-TUB SUPPORT
20	8002371	TUB-OUTER (S/P)
21	8014909	SCREWS (2) (S/P)
22	8014907	PLATE-LOCK (S/P)
23	5308002424	AGITATOR DESCONTINUADO
24	8002427	WASHER (S/P)
25	5303161122	CAP INCLUDES WASHER
26	5303207085	DISPENSER-FABRIC SOFTENER (OPTIONAL) (S/P)
27	5308015076	FILTER-LINT
28	8011313	HOUSING (S/P)
29	8015517	HOSE-CLAMP (S/P)
19A	5308950214	OVERSIZE BEARING KIT (NON-ILLUSTRATED) (S/P)

Distribuidor Autorizado

SurteRápido.com

Venta de Refacciones
Electrodomesticas

WISCL6 BOMBA





WISCL6 BOMBA

1	8006572	CLAMP (S/P)
2	8002439	SCREEN-INLET (2) (S/P)
3	6561384	HOSE-WATER FILL (HOT & COLD) (S/P)
4	5308008471	HOSE-VALVE TO INLET (S/P)
5	8007731	CLAMP (S/P)
6	5308027515	VALVE-ANTISYPHON (S/P)
7	5303161139	NOZZLE-ASSEMBLY DESCONTINUADO
8	5308027515	SCREEN (S/P)
9	5308006683	GASKET (S/P)
10	8002407	SCREWS (3) (S/P)
11	8015499	WASHERS (2) (S/P)
12	8002362	RETAINER (S/P)
13	5364154013	CLAMP (S/P)
14	8015078	COUPLING (S/P)
15	8002359	SCREW (S/P)
16	5364154013	CLAMP (S/P)
17	8015531	HOSE-PUMP TO COUPLING (S/P)
18	8002355	NUT (S/P)
19	8002353	HOSE-PUMP TO LINT (S/P)
20	8002356	CLAMP (S/P)
21	8015500	SCREW (S/P)
22	8002364	HOSE-TRAP TO PUMP (S/P)
23	8015517	CLAMP (S/P)
24	8014914	CLAMPS (2) (S/P)
25	5379428000	IMPELLER ASSY.
26	5379428000	SEAL-KIT
27	5303206866	BUSHING (S/P)
28	8002389	SCREWS (4) (S/P)
29	8002390	SCREWS (4) (S/P)
30	5308027541	HOUSING-PUMP LOWER (S/P)
31	8002392	SCREW (S/P)
32	5304401792	GASKET (S/P)
33	5304401790	COVER-PUMP (S/P)

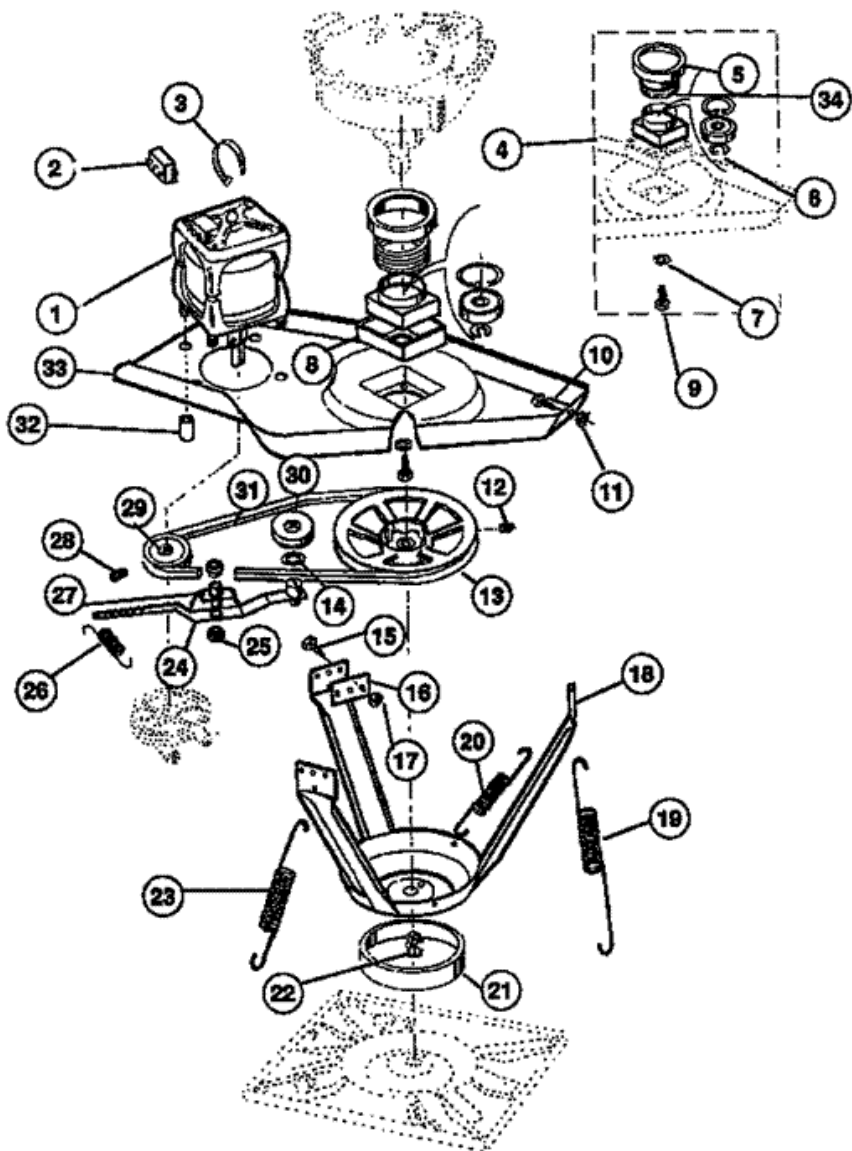
34	5303912510	PUMP-COMPLETE (S/P)
35	131210200	HOSE-DRAIN INCLUDES BUSHING
36	8015533	SCREWS (2) (S/P)
37	134190200	VALVE-WATER (S/P)

Distribuidor Autorizado

SurteRápido.com

Venta de Refacciones
Electrodomesticas

WISCL6 MOTOR

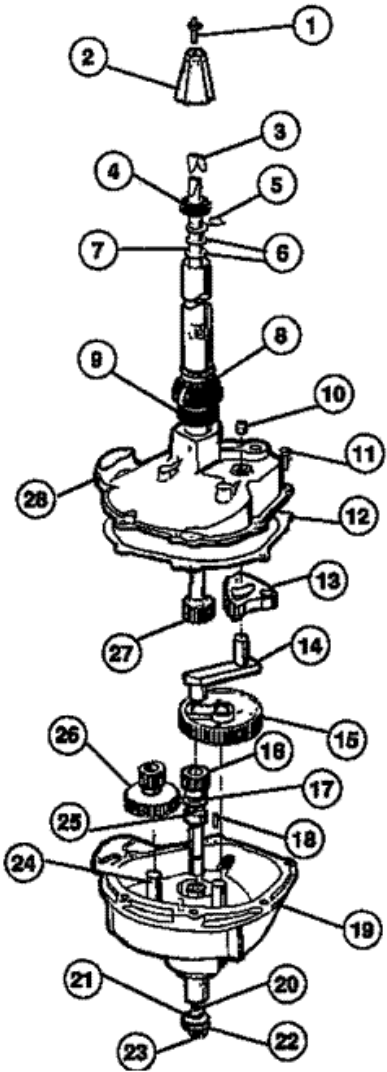
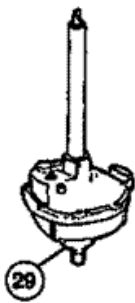




WISCL6 MOTOR

2	8014888	SWITCH-MOTOR START (S/P)
3	8002819	RETAINER (2) (S/P)
4	5304412079	BEARING KIT DESCONTINUADO
5	8011269	SLEEVE (S/P)
6	8015536	RING-SNAP (S/P)
7	5303207426	SPACERS (2) (S/P)
8	8002473	CUSHION (S/P)
10	8002471	SCREWS (3) (S/P)
11	8002470	NUTS (3) (S/P)
12	8027475	SCREW (SET) (S/P)
13	5303937080	PULLEY
14	5303161306	WASHER-SPRING
15	8002378	SCREWS (6) (S/P)
16	8002379	PLATE (3) (S/P)
17	8002377	NUTS (6) (S/P)
18	8011310	SUPPORT (S/P)
19	8011317	SPRING-VERTICAL (2) (LONG) (S/P)
20	8011311	SPRING HORIZONTAL (3) (S/P)
21	5308002385	SNUBBER RING
22	8002382	NUT (S/P)
23	8011261	SPRING VERTICAL (SHORT) (S/P)
24	5303937001	ARM-IDLER
25	8002457	WASHERS (2) (S/P)
26	5308002456	SPRING-IDLER
27	5303161303	SPACER DESCONTINUADO
28	8002453	SCREW (SET) (S/P)
29	131031900	PULLEY-MOTOR
30	131852101	PULLEY (S/P)
31	5303280362	BELT (S/P)
32	5303161303	SPACERS (3) DESCONTINUADO
33	8002472	PLATE-SUPPORT (S/P)
34	8057430	WASHER (S/P)
1A	5308014901	MOTOR-WASHER DRIVE, TWO SPEED GE

WISCL6 TRANSMISION





WISCL6 TRANSMISION

1	8002491	SCREW (S/P)
2	5308014904	HUB-DRIVE
3	8002488	SHIM (S/P)
4	8011270	SEAL (S/P)
5	8002474	RING-SNAP (S/P)
6	8002485	SPACERS (S/P)
7	5303161232	WASHER-THRUST (S/P)
8	5308950197	SEAL KIT
9	8002479	SLINGER (S/P)
10	8002803	PLUG (S/P)
11	8011267	SCREWS (6) (S/P)
12	5308015778	GASKET (S/P)
13	8011268	GEAR (S/P)
14	8002809	ROD (S/P)
15	8015496	GEAR (S/P)
16	8014905	SHAFT (S/P)
17	5303161226	WASHER-THRUST (S/P)
18	8002813	PINS (2) (S/P)
19	8002815	HOUSING (S/P)
20	5303161173	SEAL
21	5303161226	WASHER-THRUST (S/P)
22	8002475	WASHER (S/P)
23	8002474	RING-SNAP (S/P)
24	3005242	1 QT. OIL (S/P)
25	5303161174	SPRING
26	8002816	GEAR (S/P)
27	8015507	SHAFT-AGITATE (S/P)
28	8015535	HOUSING (S/P)
29	5303209229	TRANSMISSION COMP