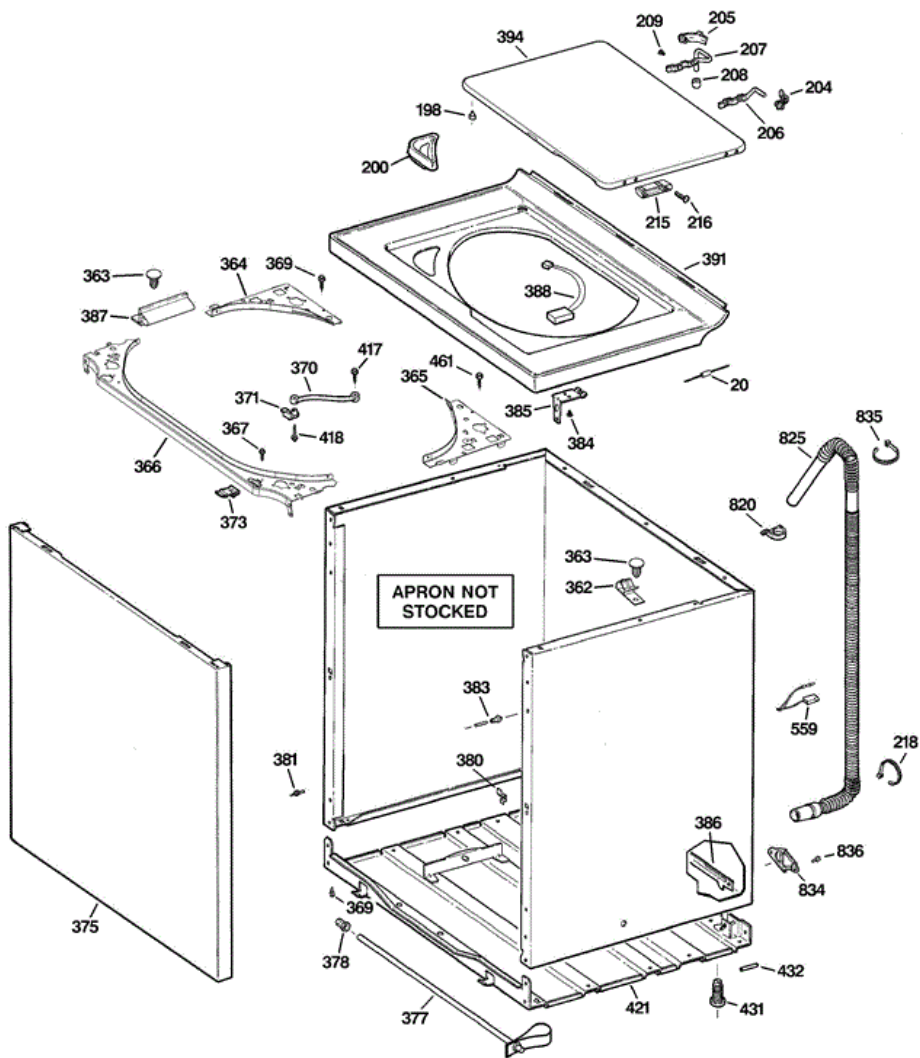


Distribuidor Autorizado

SurteRápido.com

Venta de Refacciones
Electrodomesticas

WJRE5550K2WW GABINETE



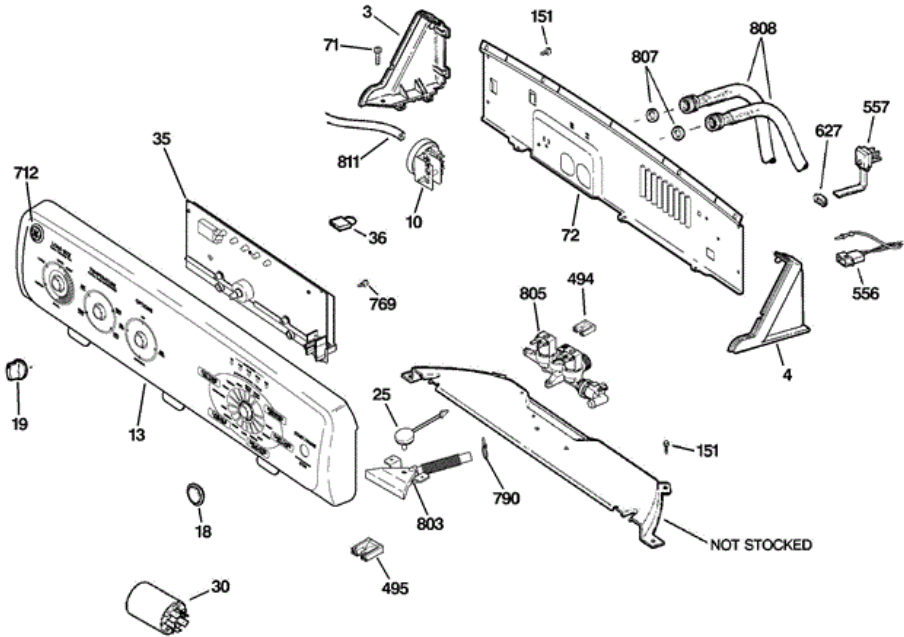


WJRE5550K2WW GABINETE

| | | |
|-----|------------|--------------------------|
| 20 | WH49X10041 | KIT - FUSE HARNESS |
| 198 | WH01X2722 | BUMPER LID |
| 200 | WH01X10057 | FUNNEL BLEACH |
| 204 | WH01X2741 | BUSHING HINGE (SINGLE) |
| 205 | WH01X10025 | BUSHING HINGE-FRONT OPEN |
| 206 | WH01X2740 | WIREFORM HINGE |
| 207 | WH01X2743 | WIREFORM HINGE |
| 208 | WH01X2742 | BUMPER HINGE |
| 209 | WH02X1211 | SCREW |
| 215 | WH12X10276 | MAGNET ASM |
| 216 | WH02X10217 | SCR 8-16 B FLP .625 ZN |
| 218 | WR02X11607 | WIRE TIE |
| 362 | WH02X10263 | CHRISTMAS TREE WIRE CLIP |
| 363 | WH02X10258 | PLUG PINETREE |
| 364 | WH16X10101 | BRACKET APRON LEFT |
| 365 | WH16X10102 | BRACKET APRON RIGHT |
| 366 | WH16X10117 | BRACKET APRON FRONT |
| 367 | WH02X10301 | SCR 8-18 AB HW 1/2 S |
| 369 | WH02X1217 | SCR 8-18 AB IHW 7/16 SN |
| 370 | WH01X10046 | STRAP DAMPING |
| 371 | WH01X2726 | RETAINER STRAP |
| 373 | WH02X10279 | CLIP LOCKING |
| 375 | WH46X10109 | PANEL & BRACE ASM WH |
| 377 | WH46X0344 | BAR SHIPPING |
| 378 | WH01X2745 | BUTTON PLUG |
| 380 | WH02X1207 | CLIP GROUND |
| 381 | WH02X1190 | STUD GROUNDING |
| 383 | WH02X1189 | PIN ALIGNMENT |
| 384 | WH01X10109 | SCR 8-15 A 3/4 SP HXW |
| 384 | WH01X10423 | SCR 6-20 B TRT 3/8 S |
| 385 | WH01X10422 | COVER CLIP |
| 386 | WH46X10094 | BAR SELF LEVELING |
| 387 | WH41X10161 | CONDUIT |

| | | |
|-----|------------|------------------------|
| 388 | WH12X10334 | LID SWITCH ASM |
| 391 | WH44X10027 | COVER ASM FINISHED WH |
| 394 | WH44X10209 | LID ASM FINISHED |
| 417 | WH02X0694 | SCR 10-12 A HX 1/2 S |
| 418 | WH02X10282 | SCR 8-18 B IHW 1 S |
| 421 | WH46X10145 | BASE ASM |
| 431 | WH02X1187 | LEG LEVELING |
| 432 | WH02X1188 | PIN ROLL |
| 461 | WZ05X0158 | SCREW 8-32X3/8 GRD SCR |
| 559 | WH12X0538 | HOUSING TERMINAL |
| 820 | WH01X2725 | CLIP ANTI-SIPHON |
| 825 | WH41X10096 | HOSE DRAIN EXTERNAL |
| 834 | WH16X0513 | RETAINER HOSE |
| 835 | WH01X10218 | STRAP |
| 836 | WH02X10162 | SCR 8-18 AB IHWP 7/8 S |

WJRE5550K2WW TABLERO





WJRE5550K2WW TABLERO

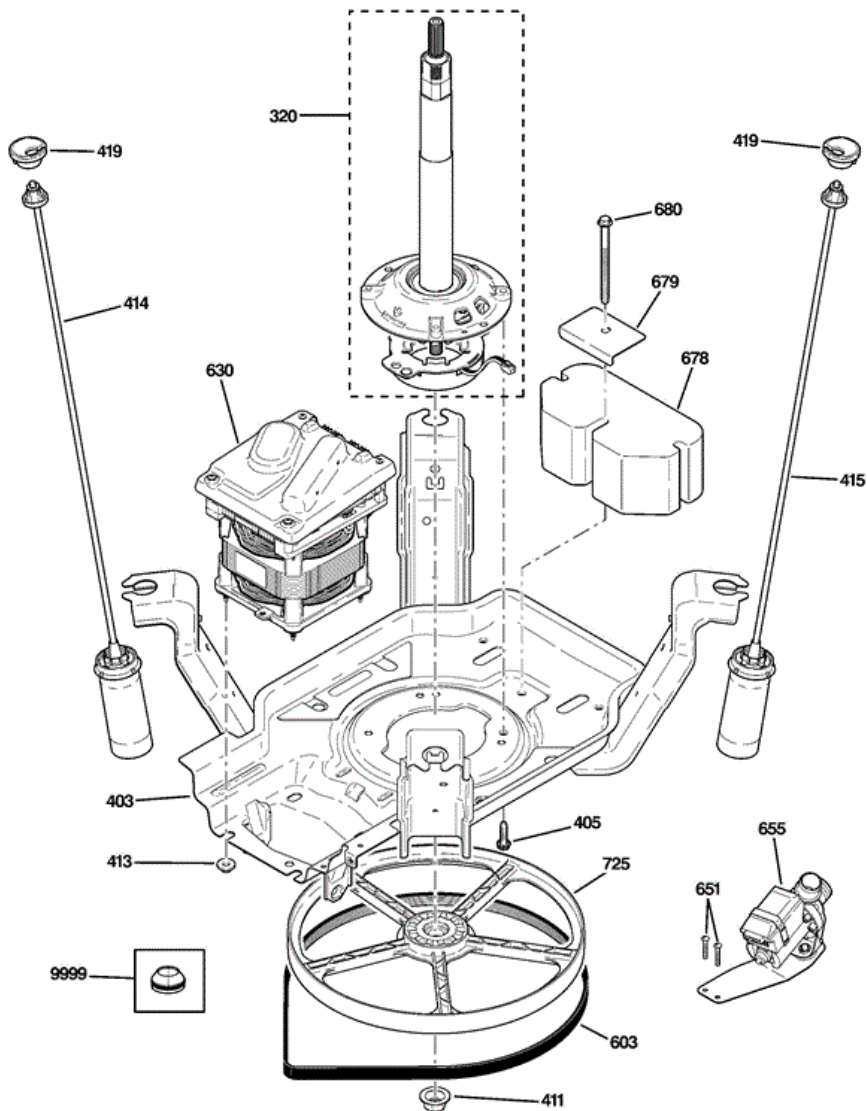
| | | |
|-----|------------|--------------------------|
| 3 | WH42X10634 | ENDCAP LH WH |
| 4 | WH42X10633 | ENDCAP RH WH |
| 10 | WH12X10413 | SWITCH PRESSURE |
| 13 | WH42X10745 | BACKSPLASH ASM |
| 18 | WH01X10088 | SWITCH START/STOP |
| 19 | WH01X10315 | KNOB ASM |
| 25 | WH12X10411 | PROBE SENSOR ATC |
| 30 | WH12X10408 | FILTER POWER LINE |
| 35 | WH12X10439 | BOARD ASM MOUNTED |
| 36 | WH12X10111 | CONNECTOR MODEL SELECT |
| 71 | WH02X1205 | SCR 8-18 B 1/2 HXW P |
| 72 | WH46X10146 | PANEL BACK WASHER |
| 151 | WH02X10126 | SCR 8-18 B 1HW 1/2 SN |
| 494 | WD21X10257 | HOUSING TERMINAL |
| 495 | WD21X10258 | TERM HSNG - SOLENOID |
| 556 | WH12X0497 | HOUSING TERMINAL |
| 557 | WH19X0311 | CORDSET ASM |
| 627 | WH12X10208 | SELF LOCKING STRAIN RELF |
| 712 | WD34X11472 | BADGE |
| 769 | WH02X10236 | SCR M4-1.44 B PA 25 S |
| 769 | WR01X10196 | SCR 8-18 HI/LO 5/8 |
| 790 | WH01X2036 | CLAMP HOSE |
| 803 | WH41X10206 | FUNNEL SHOWER HEAD |
| 805 | WH13X0086 | VALVE TRIPLE WATER |
| 807 | WH02X10161 | WASHER FLAT |
| 808 | WH41X10094 | HOSE INLET ASM |
| 808 | WH41X10095 | HOSE INLET ASM |
| 811 | WH41X0365 | HOSE PRESSURE SWITCH |

Distribuidor Autorizado

SurteRápido.com

Venta de Refacciones
Electrodomesticas

WJRE5550K2WW TRANSMISION

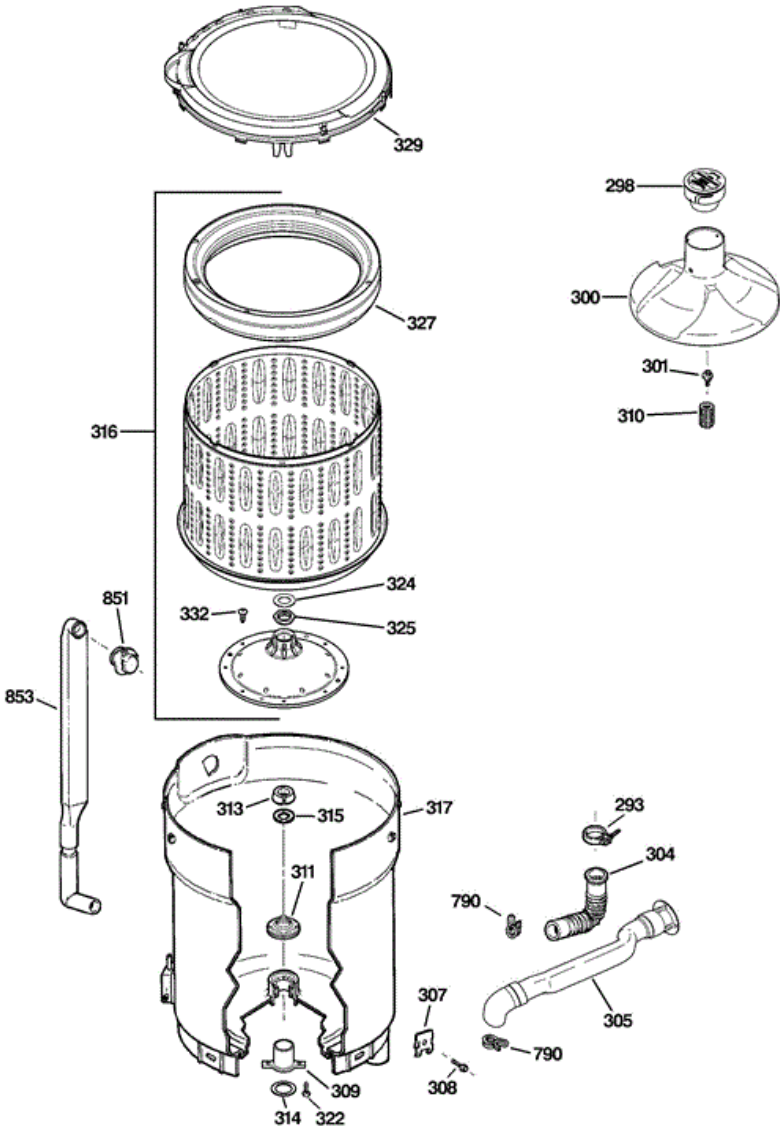




WJRE5550K2WW TRANSMISION

| | | |
|------|------------|--------------------------|
| 320 | WH38X10017 | SHAFT AND TUBE ASM |
| 403 | WH17X10016 | LEG AND PLATFORM ASM |
| 405 | WH02X1201 | SCR 1/4-20 B HXW 3/4 SNS |
| 411 | WH02X1203 | NUT PULLEY |
| 413 | WH02X10233 | HEX NUT OVERMOLD ASM |
| 414 | WH16X0545 | ROD & SPRING ASM |
| 415 | WH16X10057 | ROD & SPRING ASSY/GREEN |
| 419 | WH01X10001 | SOCKET ROD SUPPORT |
| 603 | WH01X10353 | BELT |
| 630 | WH20X10064 | MOTOR/INVERTER ELECTRONI |
| 651 | WH02X10123 | SCR 1/4-20 TPT 1H 1/2 SN |
| 655 | WH23X10013 | PUMP |
| 678 | WH01X10303 | COUNTERWEIGHT |
| 679 | WH01X10304 | BRACKET COUNTERWEIGHT |
| 680 | WH02X10235 | SCR 1/4-20 B HXW 3.9 SNS |
| 725 | WH07X10019 | PULLEY DRIVEN |
| 9999 | WX05X10102 | BELT INSTALLATION TOOL |

WJRE5550K2WW TINAS





WJRE5550K2WW TINAS

| | | |
|-----|------------|--------------------------|
| 293 | WH01X10134 | CLAMP HOSE |
| 298 | WH43X10039 | DISPENSER ASM FS |
| 300 | WH43X10038 | PULSATOR ASM |
| 301 | WH02X10284 | SCR 1/4-20 MCH HXW 5/8 S |
| 304 | WH41X10163 | HOSE DRAIN INLET |
| 305 | WH41X0374 | HOSE DRAIN ASM |
| 307 | WH01X2730 | CLAMP - TUB |
| 308 | WH02X10267 | SCR 5/16-18 TPT IHW S N |
| 309 | WH02X1198 | BEARING TUB |
| 310 | WH43X10037 | COUPLING PULSATOR |
| 311 | WH02X10032 | SEAL TUB |
| 313 | WH02X1195 | RING SPLIT |
| 314 | WH02X1197 | WASHER TUB BEARING |
| 315 | WH02X1199 | FLAT WASHER |
| 316 | WH45X10060 | BASKET HUB & RING |
| 317 | WH45X10024 | TUB ASM X-LARGE |
| 322 | WH02X1194 | SCREW |
| 324 | WH02X10283 | WASHER THRUST |
| 325 | WH02X1193 | NUT HUB |
| 327 | WH45X0152 | BALANCE RING ASM |
| 329 | WH45X10022 | COVER TUB |
| 332 | WH02X10139 | SCR 10-32 B TRT-25 5/8 |
| 790 | WH01X2036 | CLAMP HOSE |
| 851 | WH01X2729 | GASKET FLOOD HEAD |
| 853 | WH41X0369 | HOSE FLOOD |