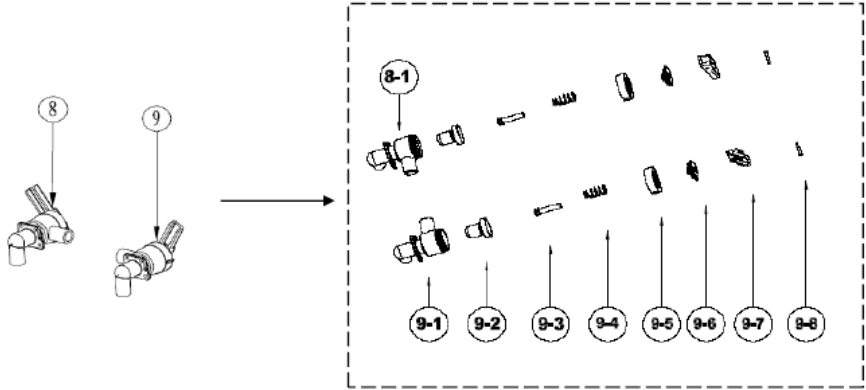
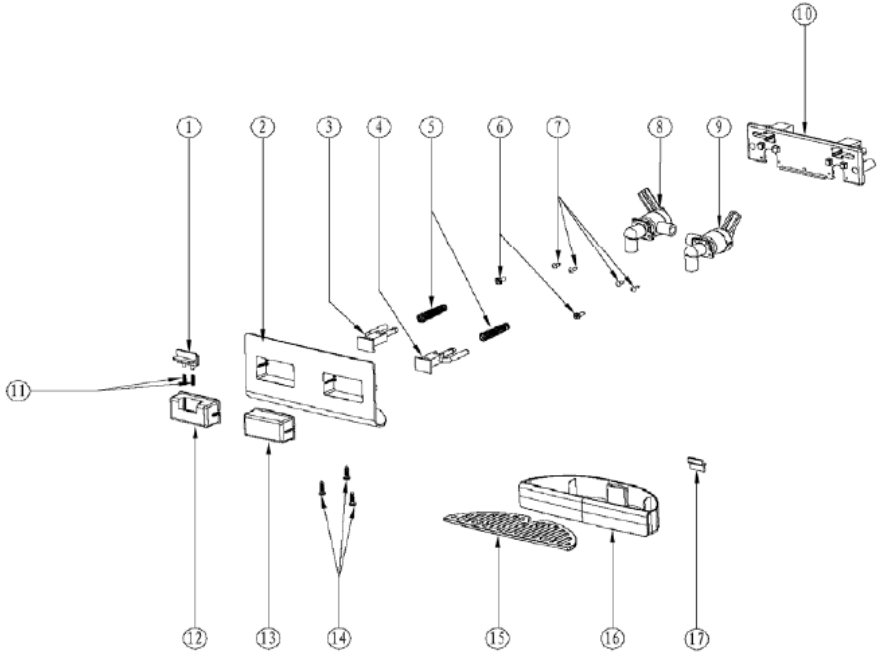


**WK5101Q00 FAUCET ASSEMBLY**

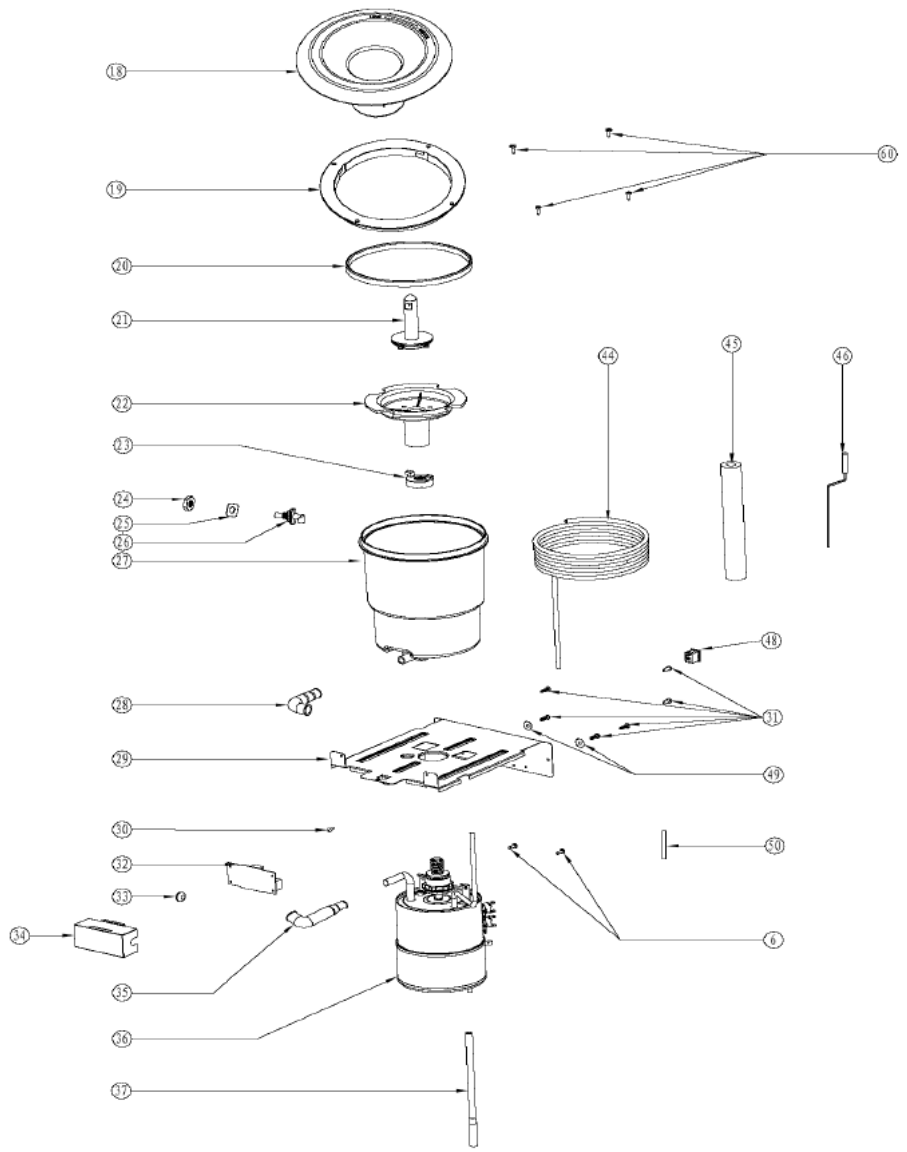




## WK5101Q00 FAUCET ASSEMBLY

|      |                |                      |
|------|----------------|----------------------|
| 1    | A11035501P300H | TAB                  |
| 2    | A04001502P101C | FRONT PANEL          |
| 3    | A01006501P900K | GRIPE                |
| 4    | A11021502P300E | GRIPE                |
| 5    | E03033506T200Y | SPRING               |
| 6    | ****           | SCREW                |
| 7    | ****           | SCREW                |
| 8    | ****           | FAUCET ASSEMBLY HOT  |
| 9    | ****           | FAUCET ASSEMBLY COLD |
| *8-1 | A10065506P500E | FAUCET BODY HOT      |
| *9-1 | A09065506P500E | FAUCET BODY COLD     |
| *9-2 | C02023504R200Y | INSERT               |
| *9-3 | A14035204P300E | GRIPE                |
| *9-4 | D03033506T100Y | SPRING               |
| *9-5 | A13008504P100N | CAP                  |
| *9-6 | A17003501P500Y | INNER CAP            |
| *9-7 | A12007501P500N | LEVEL                |
| *9-8 | E04-MSLTXD     | BOLT                 |
| 10   | ****           | FAUCET HOLDER        |
| 11   | E02033506T100Y | SPRING               |
| 12   | A05021501P100K | HOT WATER BUTTON     |
| 13   | A07021501P100K | COLD WATER BUTTON    |
| 14   | ****           | SCREW                |
| 15   | A12021507P100Y | DRIP TRAY COVER      |
| 16   | A02010502P101B | DRIP TRAY            |
| 17   | ****           | TAB                  |

**WK5101Q00 DISPENSADOR**

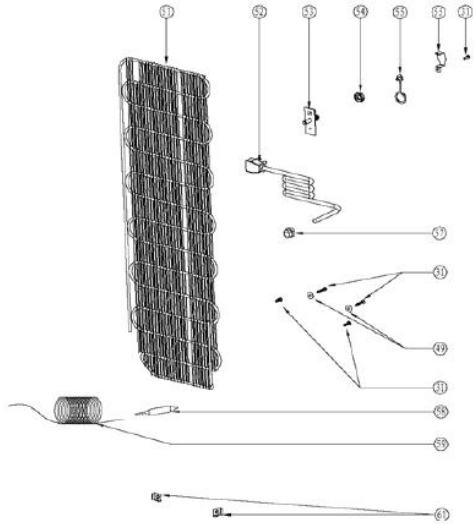
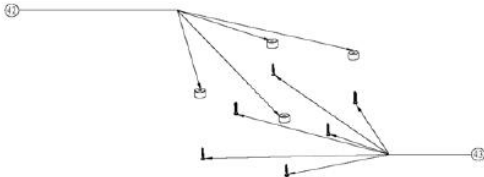
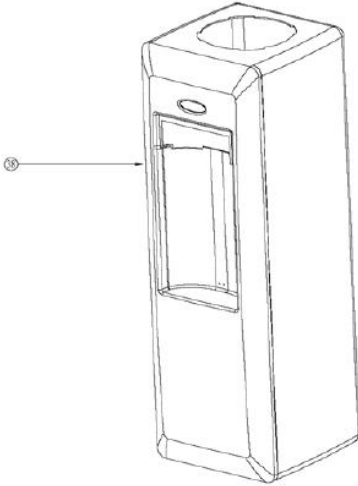




## WK5101Q00 DISPENSADOR

|    |                |                      |
|----|----------------|----------------------|
| 18 | A06010504P100L | BOTTLE SUPPLY COLLAR |
| 19 | ****           | RING                 |
| 20 | C04150504R200Y | O-RING               |
| 21 | A05010504P500E | ROD                  |
| 22 | A01030504P300Y | NUT                  |
| 23 | A03010504B200D | SEGREGATOR           |
| 24 | A19060501P200Y | NUT                  |
| 25 | C07031504R200Y | O RING               |
| 26 | A18060501P200Y | CONNECTION PIPE VENT |
| 27 | A02019504B200N | COLD TANK            |
| 28 | C01043504R200F | CONNECTION PIPE COLD |
| 29 | ****           | COLD TANK SUPPORT    |
| 30 | ****           | SCREW                |
| 31 | ****           | SCREW                |
| 32 | D02-KZB-25     | PCB BOARD            |
| 33 | ****           | WIRE PROTECTOR       |
| 34 | ****           | PCB CONTROL BOX      |
| 35 | C04043506R200F | CONNECTION PIPE HOT  |
| 36 | 913 RDZH       | HOT TANK ASSEMBLY    |
| 37 | DRAIN PIPE     | C05043504R200F       |
| 44 | ****           | EVAPORATOR           |
| 45 | ****           | SPONGE INSULATION    |
| 46 | D37-LD-NTC     | NTC THERMOSTAT       |
| 48 | D07081000E500Y | ROCK SWITCH          |
| 49 | ****           | WASHER               |
| 50 | ****           | VENT PIPE            |

**WK5101Q00 CONDENSER & COMPRESSOR**





## WK5101Q00 CONDENSER & COMPRESSOR

|      |                |                         |
|------|----------------|-------------------------|
| 38   | ****           | SHELL                   |
| 39   | D10-PWDV-110   | COMPRESSOR ASSEMBLY     |
| 40   | ****           | FIXER FOR POWER CORD    |
| 41   | ****           | BASE                    |
| 42   | ****           | FOOT PAD                |
| 43   | ****           | SCREW                   |
| 49   | ****           | WASHER                  |
| 51   | D08043502U300Y | CONDENSER               |
| 52   | D35-DYXZH-10P  | POWER CORD              |
| 53   | ****           | DRAINAGE OUTLET         |
| 54   | ****           | NUT                     |
| 55   | ****           | PLUG                    |
| 57   | ****           | CLAMP                   |
| 58   | C0-F03-GLQ-000 | DRIER                   |
| 59   | F03-MXG-005    | CAPILLARY               |
| 61   | ****           | WASHER                  |
| 39-1 | ****           | WASHER                  |
| 39-2 | ****           | COMPRESSOR              |
| 39-3 | ****           | FOOT PAD FOR COMPRESSOR |