

# Whirlpool

SERVICE

CENTRO DE SOLUCIONES



LO ORIGINAL MARCA DIFERENCIA

Explosionado de Partes

Dispensador de Agua

WK5915BS

acros<sup>®</sup>

Whirlpool  
CORPORATION

MAYTAG

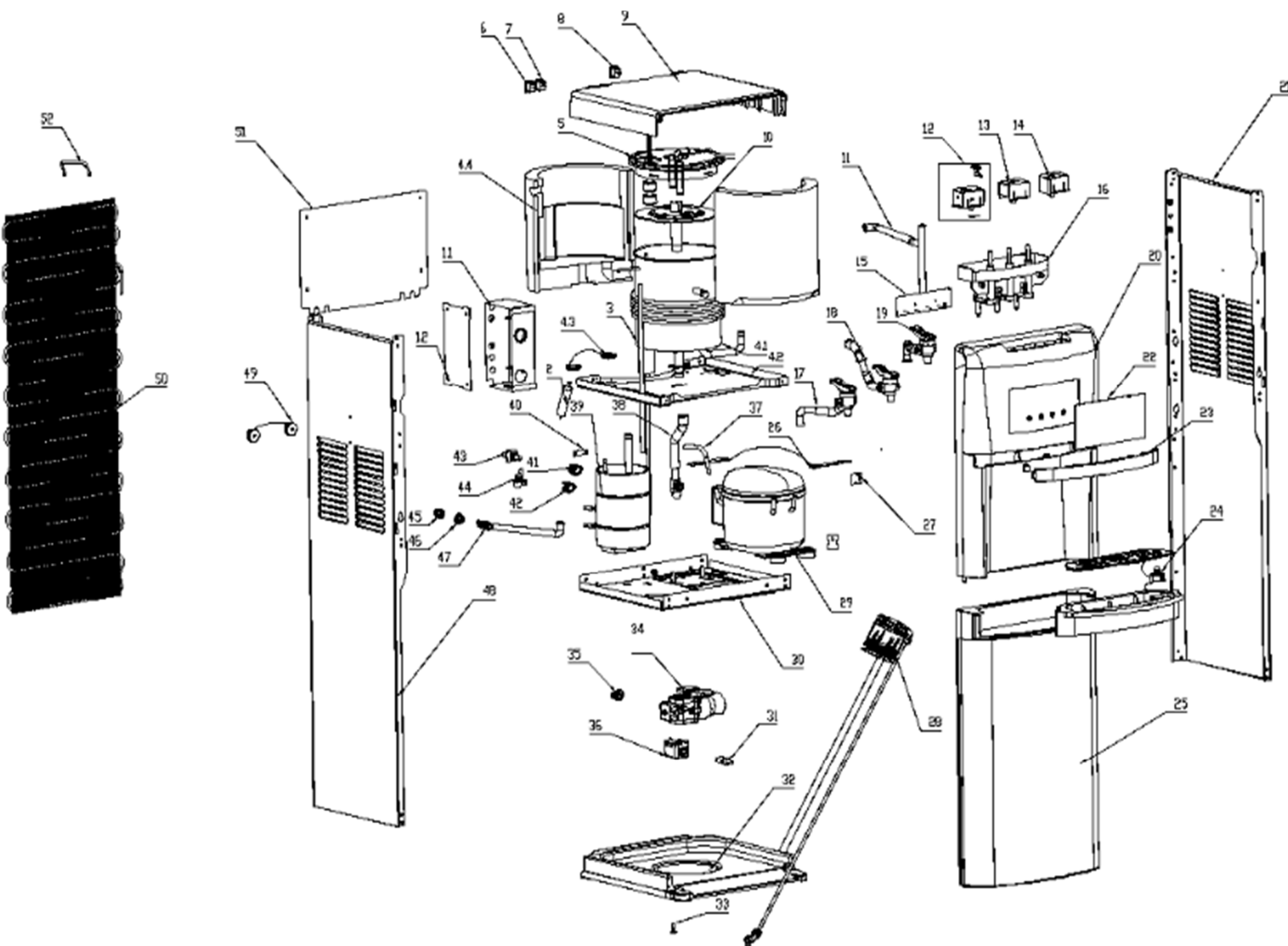
KitchenAid<sup>™</sup>

Distribuidor Autorizado

SurteRápido.com

Venta de Refacciones  
Electrodomesticas

# DESPACHADOR DE AGUA WK5915BS





# DESPACHADOR DE AGUA WK5915BS

No. de Ilus	Descripción	Cantidad	No. de Parte
1	Pulse ignitor	1	17163000000128
1.1	power panel	1	17163000000120
1.2	electric box	1	12263000000224
2	Dry filter	1	12963000000016
3	silicon tube	1	126630000003491
4	cold tank assembly	1	12263000A02501
4.1	cold tank	1	12263000000023
4.2	support plate type	1	129630000000095
4.3	plastic small parts	3	121630000002042
4.4	cooling temperature preservation material	1	121630000002846
5	plastic small parts	1	121630000002123
6	warped plate switch	1	17463000A01002
7	warped plate switch	1	17463000A01003
8	warped plate switch	1	17463000A01004
9	top cover	1	121630000000515
10	seperator	1	121630000001825
11	assembled tube	1	126630000000253
12	plastic button	1	121630000003839
13	plastic button	1	121630000003837
14	plastic button	1	121630000001425
15	display panel	1	171630000000084
16	fixing block assembly	1	121630000001938
17	faucet combination tube	1	126630000000329
18	faucet combination tube	1	126630000000240
19	faucet combination tube	1	126630000000175
20	front shell	1	12163000A09481
21	Right side panel	1	122630000000128
22	Ornament label	1	16063000A07981
23	plastic decorative part	1	121630000001025
24	drip tray cover assembly	1	121630000001358
25	Lower door assembly	1	121630000000793
26	17463000A00601	2	129630000000062
27	display panel	1	171630000000014
28	cover type	1	12163000A02967
29	Fixed Speed Reciprocating Compressor	1	11101010009734
30	Middle supporting plate	1	122630000000176
31	door switch	1	174630000000108

Distribuidor Autorizado

**SurteRápido.com**

Venta de Refacciones  
Electrodomesticas

## DESPACHADOR DE AGUA WK5915BS

32	lampstand assembly	1	12163000000956
33	Shaft	1	12963000000036
34	DC pump	1	11001013000020
35	plastic small parts	1	12163200000462
36	plastic small parts	1	12163000002063
37	fluoride filling tube	1	12963000000012
38	assembled tube	1	12663000000701
39.1	Hot pot components	1	17463000000341
39.2	Temperature sensor of hot tank	1	17463000A01005
40	slice product	1	12963000000074
41	Overheating thermostat	1	17463000000131
43	power line	1	17463000A00601
44	plastic small parts	1	12163000002058
45	plastic small parts	1	12163000002131
46	nut	1	12163000002134
47	assembled tube	1	12663000000319
48	Left side panel	1	12263000000095
49	Seal ring	2	12663000000396
50	condenser	1	12963000000002
51	back cover	1	12163000001642
**	Temperature Sensor	1	17463100A00041