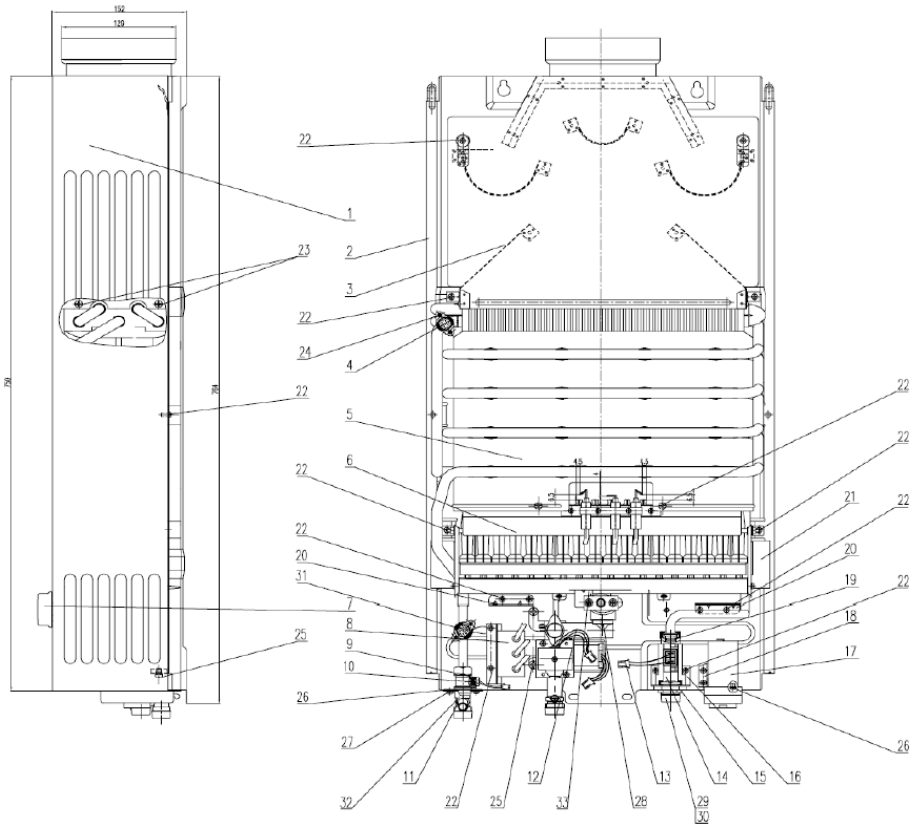


WK71212Q





WK71212Q

1	****	FRONT COVER ASSY
2	****	BACK COVER
3	JSD13.8WLT01_03	HOOD ASSY
4	KSD301-08.0/5N	THERMOSTAT (70°C)
5	****	HEAT EXCHANGER
6	T0105117B12	BURNER ASSY
7	JSD7N1C43_04	KNOB ASSY
8	DHS-E4	IGNITION ASSY
9	****	O TYPE SEALING RING
10	WDXS1_07	TEMP. DETECTOR
11	****	WATER OUTLET ASSY
12	****	GAS VALVE ASSY
13	DHS-E1_DL01-2	WATER FLOW SWITCH WIRE
14	JSD7N1_04	WATER FLOW SWITCH
15	****	TIGHTEN NUT
16	JSD13N2-1	INLET WATER PIPE HOLDER
17	JSD7N1C43_08	BATTERY ASSY
18	****	BATTERY BOX HOLDER
19	****	O TYPE SEALING RING
20	WHQ7B2.00-1	INSULATOR PLATE
21	****	ALUMINUM FOIL
22	****	SCREW
24	****	SCREW
25	****	SCREW
26	****	OUTLET WATER PIPE HOLDER
27	****	SCREW
29	****	SEALING RING
30	****	DUSTPROOF
31	KSD301-08.0/5N	THERMOSTAT (70°C)
32	****	SAFETY VALVE BRACKET
33	****	INSULATOR PLATE