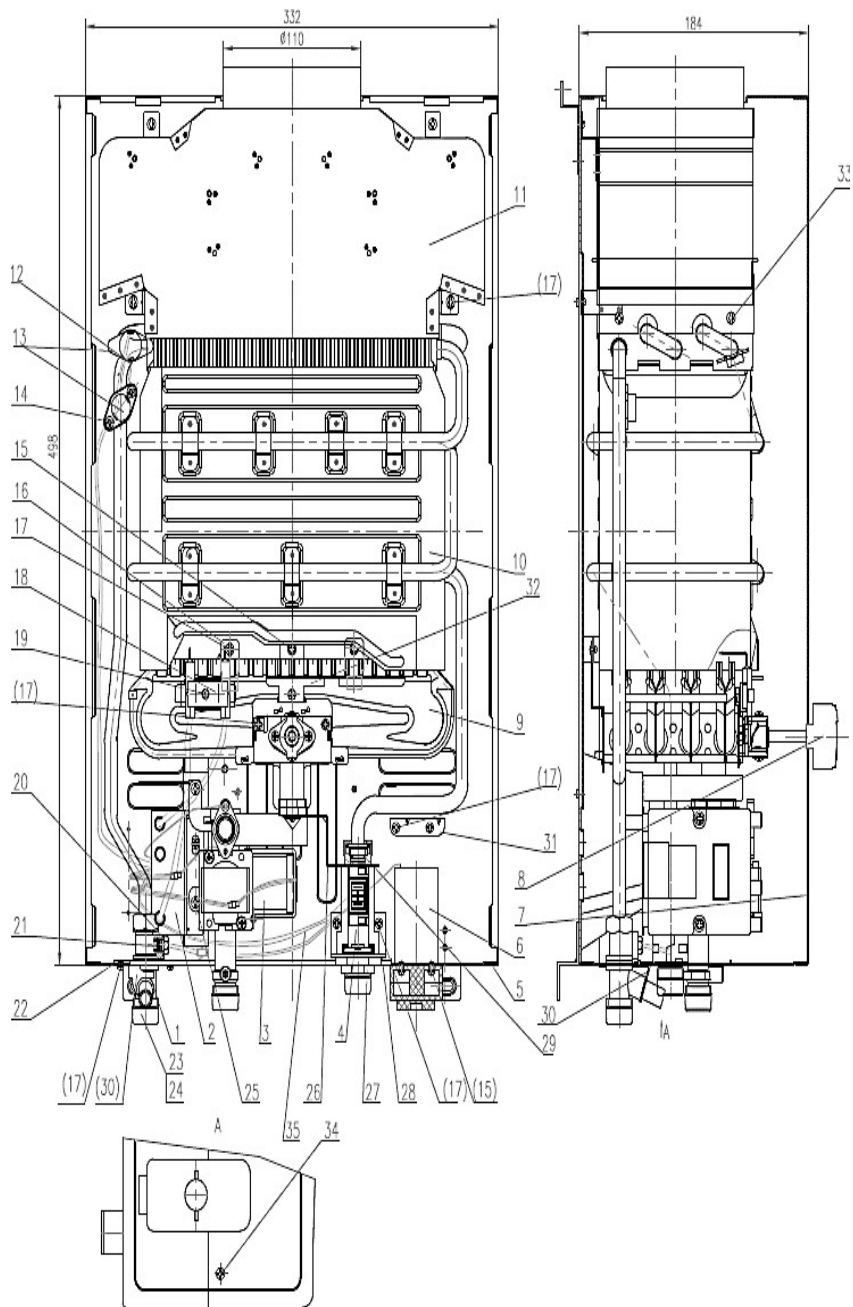


Distribuidor Autorizado

SurteRápido.com

Venta de Refacciones
Electrodomesticas

Calentador Whirlpool WK71321Q



Distribuidor Autorizado

SurteRápido.com

Venta de Refacciones
Electrodomesticas

Calentador Whirlpool WK71321Q

<u>No. Ilus.</u>	<u>DESCRIPCIÓN</u>	<u>No. de Parte</u>
1	Water outlet assembly	JSD7N1_07
2	Ignition System	DHS-E1
3	Gas valve assembly	JSD7N1_06
4	Water flow switch	JSD7N1_04
5	Back panel assembly	JSD7N1C43_02
6	Battery box assembly	JSD7N1C43_08
7	Front panel assembly	JSD7N1C43_01
8	Knob assembly	JSD7N1C43M_04
9	Burner assembly	T010559C43
10	Heat exchanger	JSD7N1_05
11	Gas hood assembly	JSD7N1_03
12	Thermostat wire	DHS-E3-DL02
13	Thermostat(70°C)	KSD301-08.0/5N
14	Cross recessed pan head self-tapping	GB845-85
15	Thread forming screws	JSQ10D1-7
16	Combustion chamber holder	JSQ7B17_00-1
17	Cross flat head thread forming screws	JSQ10N1-1
18	Ignition electrode holder	WHB10-10A
19	Screw assembly	GB9074.3-88
20	Antifreezing water pipe seal ring	GB34521-82
21	Temp. Sensor	WDXS1_07
22	Water outlet holder	JSD8C12_00-2
23	Sealing Ring	JSQ16A-12
24	Dust proof	JSQ16A-11
25	Thread forming screws	JSQ10D1-7
26	Water flow switch holder	JSD7N1-5
27	Tighten nut	JSQ12E1-6

Distribuidor Autorizado

SurteRápido.com

Venta de Refacciones
Electrodomesticas

Calentador Whirlpool WK71321Q

<u>No.illus.</u>	<u>DESCRIPCIÓN</u>	<u>No. de Parte</u>
28	Inlet water pipe holder	JSD7N1_02-1
29	O type sealing ring	GB/T3452.1
30	Safety valve bracket	JSD7N1C43_07-02
31	Ignition plate	WHQ7B2.00-01
32	Insulator plate	WHB.10-07
33	Cross recessed self-tapping screw with	SJ2823-87
34	Thread forming screw	JSQ10D1-7
35	Water flow switch wire	DHS-E1_DL01-2
	Tarjeta Display	WDXS7A_00
	Tarjeta led	DYZS_00

NOTA: Las tarjetas siempre se deberán de solicitar juntas.