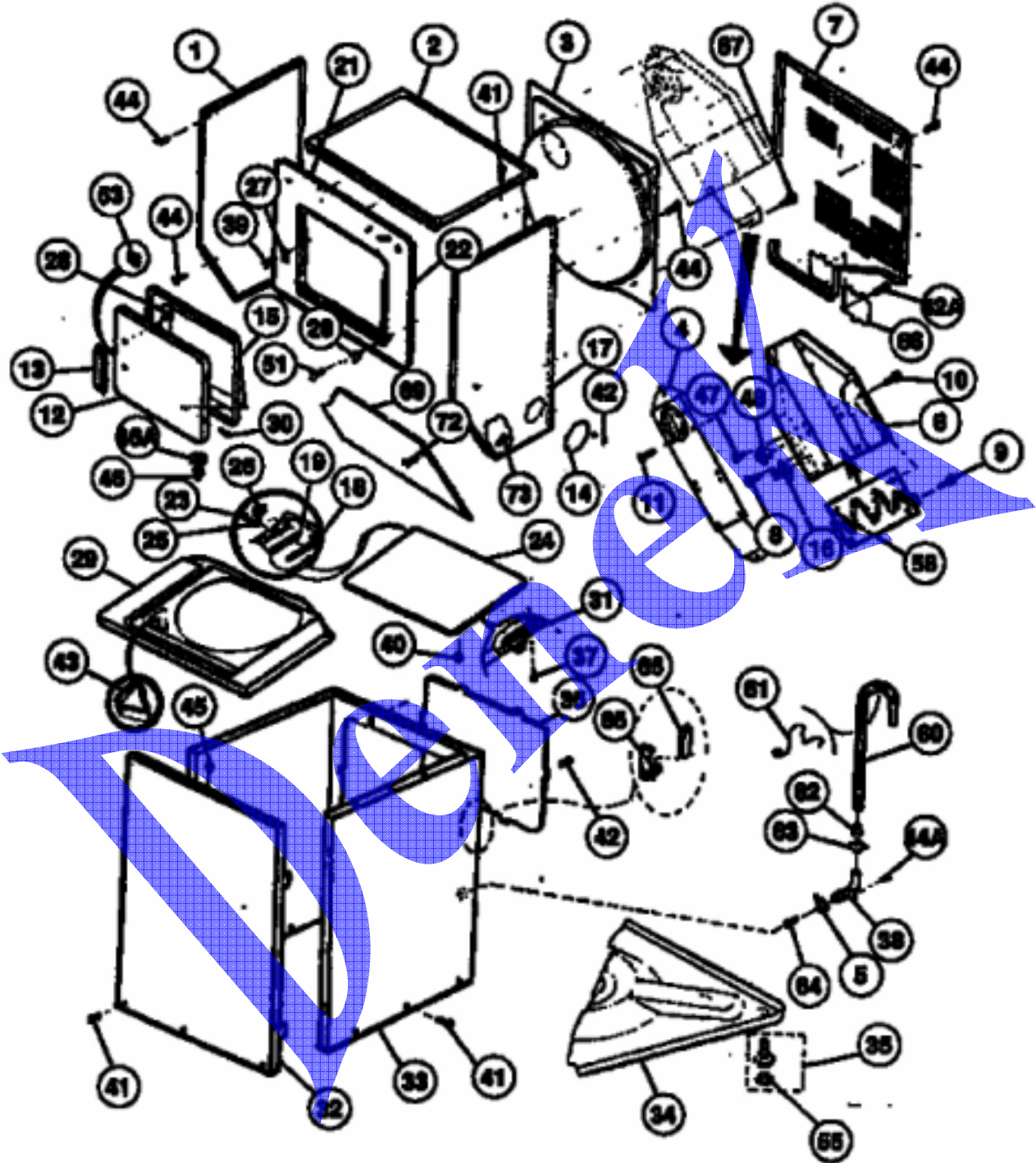


C.L. W.W. MODEL. WL24F4WW

PARTES DEL GABINETE



C.L. W.W. MODEL. WL24F4WW

PARTES DEL GABINETE

NUMERO	N. DE PARTE	DESCRIPCION
*3187	3161057	INSULATION-REAR & VENT PANELS
1	3204947	PANEL-SIDE LH (ALMD)
1	3204946	PANEL-SIDE LH (WHITE)
2	3204948	PANEL-TOP (WHITE)
2	3204949	PANEL-TOP (ALMOND)
3	3017111	PANEL-REAR
4	8015820	PANEL-FRONT
5	8004057	CLAMP
6	3204951	DUCT REAR
7	3016426	PANEL VENTILATION
8	3161233	SCREW
9	3161234	SCREW
10	3161233	SCREW (4)
11	3161233	SCREW (10)
12	3016427	DOOR-OUTER (WHITE)
12	3016429	DOOR-OUTER (ALMOND)
13	F141994-000	HANDLE-DOOR
14	3204952	COVER EXHAUST (WHITE)
14	3204953	COVER EXHAUST (ALMD)
15	3016433	DOOR-INNER (WHITE)
15	3016435	DOOR-INNER (ALMD)
16	8015856	THERMOSTAT SAFETY
17	3204954	PANEL-SIDE RH (WHITE)
17	3204955	PANEL-SIDE RH (ALMD)
18	3205942	HINGE BAR-LH
18A	3205943	HINGE BAR-RH
19	3204957	GASKET-HINGE
20	3204959	HINGE-DOOR
21	3204961	PANEL-FRONT (WHITE)
21	3204963	PANEL-FRONT (ALMD)
22	3204964	SEAL-DOOR
23	3204359	SCREW (4)
24	3204965	LID (WHITE)
24	3204966	LID (ALMD)
25	8002408	WASHER (4)
26	3204362	GROMMET-HINGE
27	3016439	SPRING-LATCH
28	3161244	SCREW
29	5303207099	PANEL-TOP (WHITE)
29	5303207100	PANEL TOP (ALMD)
30	3161187	SCREW
31	3204970	STRIKE-LID
32	3204975	PANEL-FRONT (ALMD)
32	3204973	PANEL-FRONT (WHITE)
33	3204978	CABINET (WHITE)
33	3204979	CABINET (ALMD)
34	3161044	BASE-WASHER
35	3937004	LEG ASSY (4)
36	3204980	PANEL-REAR ACCESS
37	3204368	SCREW
38	3161452	COUPLER-DRAIN HOSE
39	3161237	RIVET
40	3204981	BUMPER (2)
41	8001578	SCREW (21)
42	5136605	SCREW (9)
42A	3161233	SCREW (3)
43	3204983	DISPENSER-BLEACH
44	3011280	SCREW (16)
44A	F144005-000	SCREW
45	3204373	PIN
46	3016440	PIN-HINGE (2)
46A	5303208633	WASHER
47	3204269	SCREW
48	5303208450	THERMAL LIMITER
49	8006549	SCREW (4)

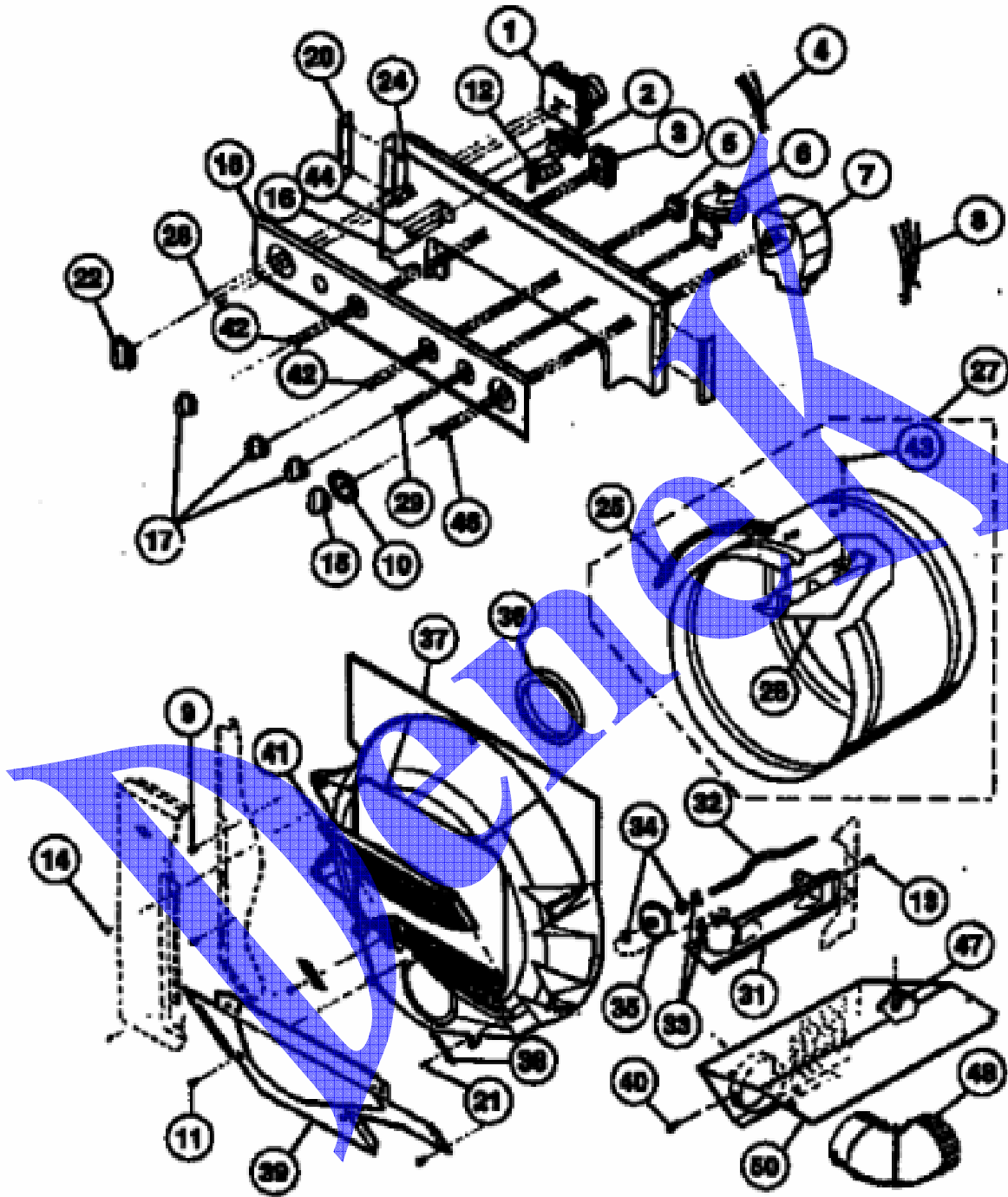
C.L. W.W. MODEL. WL24F4WW

PARTES DEL GABINETE

53	3016442	PLATE-STRIKE
55	3004083	PAD-LEGS (4)
57	3161185	SCREW
58	3161050	HEATER ASSY
60	3205936	HOSE-DRAIN
61	3204987	RETAINER-HOSE
62	5303206866	BUSHING
63	F064154-013	CLAMP
63A	3161250	TIE-CABLE (NON-ILLUSTRATED)
64	5303208451	CHECK VALVE
65	3161252	BRACKET-CAPACITOR
66	8014903	CAPACITOR
67	3161233	SCREW
68	8015822	COVER
69	3204991	PANEL-ACCESS (WHITE)
69	3204992	PANEL-ACCESS (ALMD)
72	8011318	SCREW
73	3161240	SCREW

C.L. W.W. MODEL. WL24F4WW

CONTROLES, SELLO Y TAMBOR ENSAMBLADO



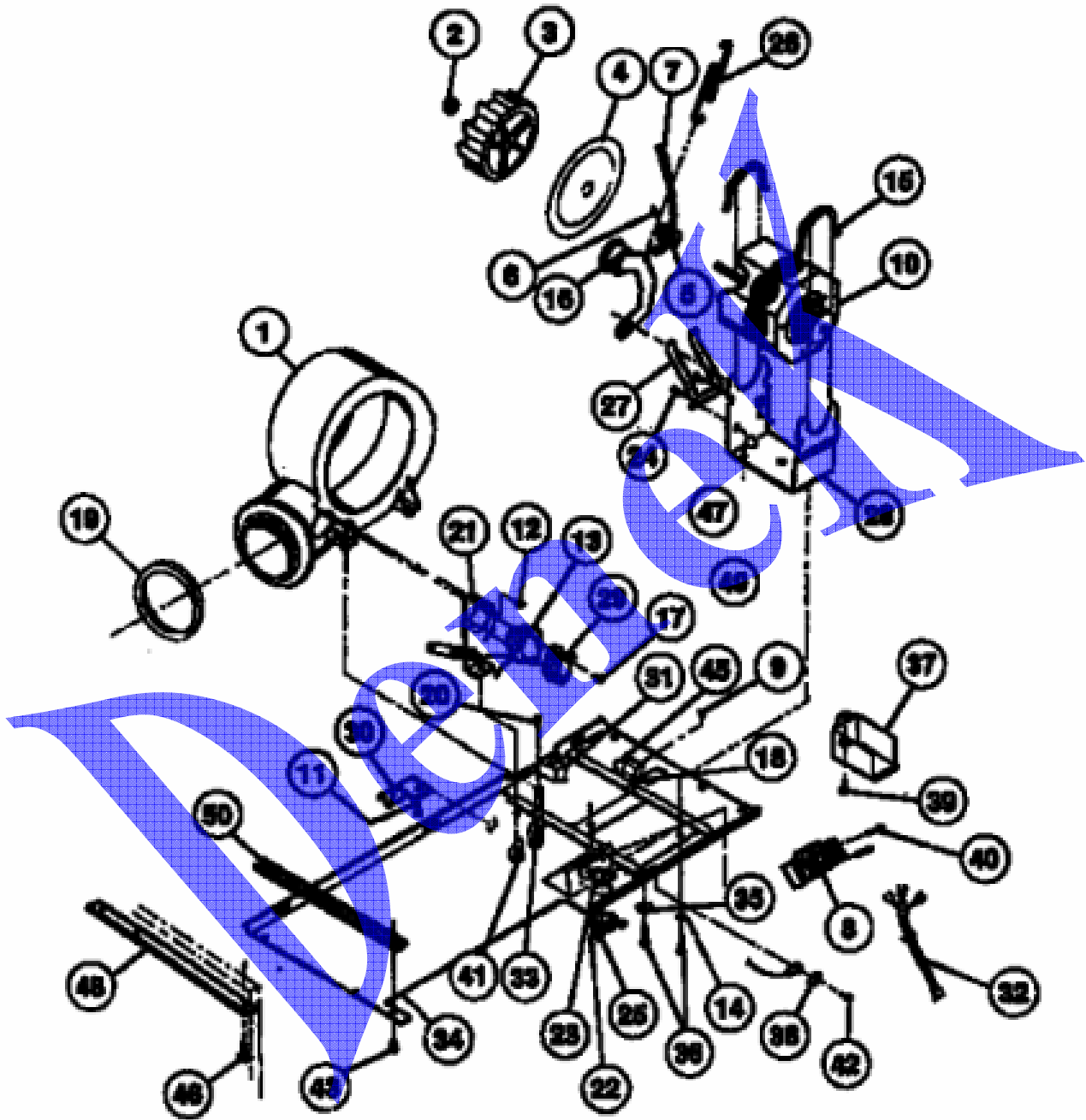
C.L. W.W. MODEL. WL24F4WW

CONTROLES, SELLO Y TAMBOR ENSAMBLADO

NUMERO	N. DE PARTE	DESCRIPCION
*3188	3181110	RESISTOR-4.4K OHMS-DRYER TIMER
*3188	5308015493	SPACER-WASHER TIMER
*3188	8027502	RESISTOR
*3188	5303208455	CHANNEL-LINT HOUSING
1	3204993	TIMER-DRYER
2	F135006-100	SWITCH-PUSH TO START
3	3204994	SWITCH-FABRIC SELECTOR
4	3205032	HARNES-DRYER
5	3017895	SWITCH-TEMPERATURE
6	5303208452	SWITCH-PRESSURE
7	3017897	TIMER-WASHER
8	3204995	HARNES-UPPER (WASHER)
9	3161244	SCREW (4)
10	3204999	DIAL
11	3161244	SCREW
12	3205000	SWITCH-DOOR
13	8011280	SCREW
14	8006549	SCREW
15	3205947	KNOB-WASHER TIMER
16	8001544	SCREW
17	3205948	KNOB-ROTARY
18	5303207454	TRIMPLATE
20	3205006	END CAP (2)
21	3161215	SCREW
22	3205950	KNOB & DIAL ASSY
24	3205008	SPEEDNUT (4)
25	3205009	SEAL-DRUM (FRONT & REAR)
26	3161076	BAFFLE-DRUM
27	3205010	DRUM ASSY
28	8001544	SCREW-DRYER SWITCH
29	8001544	SCREW-SWITCH PRESSURE
31	3161080	BRACKET-DRUM ROLLER RH
31A	3161081	BRACKET-DRUM ROLLER LH
32	8004076	SHAFT
33	3161255	RETAINING RING (4)
34	3161256	WASHER (4)
35	8004077	ROLLER & WHEEL ASSY (4)
36	3205011	SEAL-LINT HSG
37	3205012	HOUSING-LINT
38	3205013	GUIDE (2)
39	3205014	COVER-LINT HSG
40	3161240	SCREW
41	3205015	LINT SCREEN
42	5303208454	SCREW
43	8006553	SCREW
44	8010804	SCREW
46	8001544	SCREW
47	3205016	SCREW
48	3205017	ELBOW
50	3205018	SHIELD

C.L. W.W. MODEL. WL24F4WW

MOTOR Y TURBINA



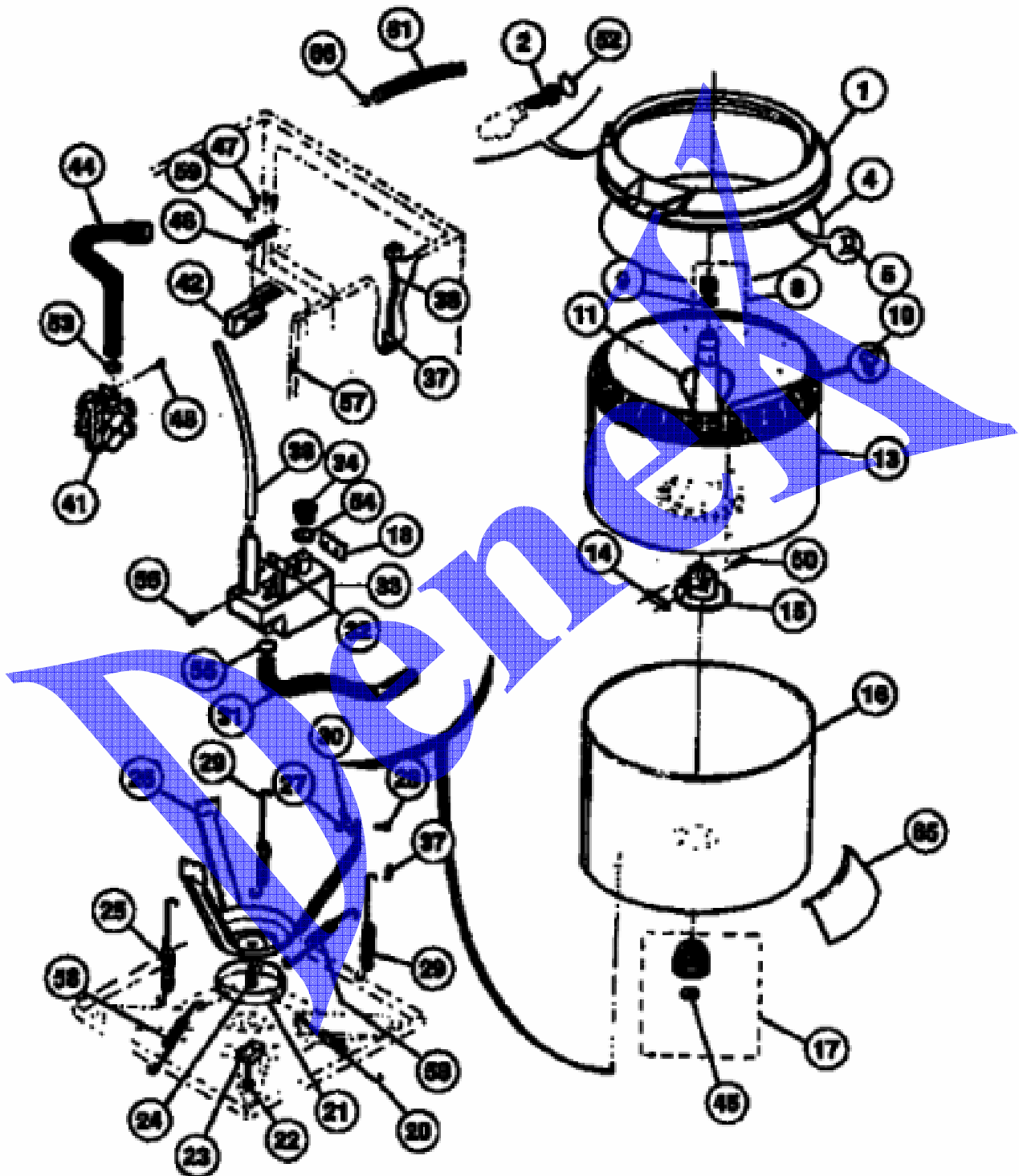
C.L. W.W. MODEL. WL24F4WW

MOTOR Y TURBINA

NUMERO	N. DE PARTE	DESCRIPCION
*3188	F133077-000	NYLUBE LUBRICANT-USE ON IDLER WHEEL SHAFT
1	3016461	HOUSING-BLOWER
2	3161263	SPRING CLIP
3	8015787	WHEEL-BLOWER
4	639342	PLATE-HOUSING
5	8015796	PULLEY-MOTOR
6	8027520	SET SCREW
7	3161099	BELT
8	3205019	TERMINAL BLOCK
9	3161240	SCREW
10	3203091	MOTOR-DRYER
11	3205020	SCREW
12	3161233	SCREW
13	5303206879	HEATER-THERMOSTAT
14	8001557	LOCK WASHER
15	3161190	CLIP
16	3161103	IDLER ARM & WHEEL ASSY
17	3161215	SCREW
18	F079171-000	TERMINAL
19	3205021	GASKET
20	8011280	SCREW
20	8006564	SPRING-HORIZ (LONG)
21	3016464	BRACKET
22	3016472	BODY ASSY-STRAIN RELIEF
23	3016473	NUT
24	3161268	SCREW
25	3016474	SCREW
26	3161106	SPRING
27	8015824	RETAINER
28	3016466	CRADLE-MOTOR ASSY
29	8015847	THERMOSTAT-CONTROL
30	3205023	CLIP
31	8004087	BUZZER
32	3017939	POWER CORD
33	8006553	SCREW
34	3205024	BASE-DRYER
35	8002468	WASHER
36	8027582	SCREW
37	3205025	SHIELD
38	8001572	CUP WASHER
39	3205020	SCREW
40	3161274	SCREW
41	3161268	SCREW
42	3161275	SCREW
43	8027582	SCREW
45	8006557	RETAINER
46	8027582	SCREW
47	3161112	TUBE-PRESSURE
48	3016468	BRACE
49	8006559	CONNECTOR
50	3016469	PLATE

C.L. W.W. MODEL. WL24F4WW

BASE Y TINAS



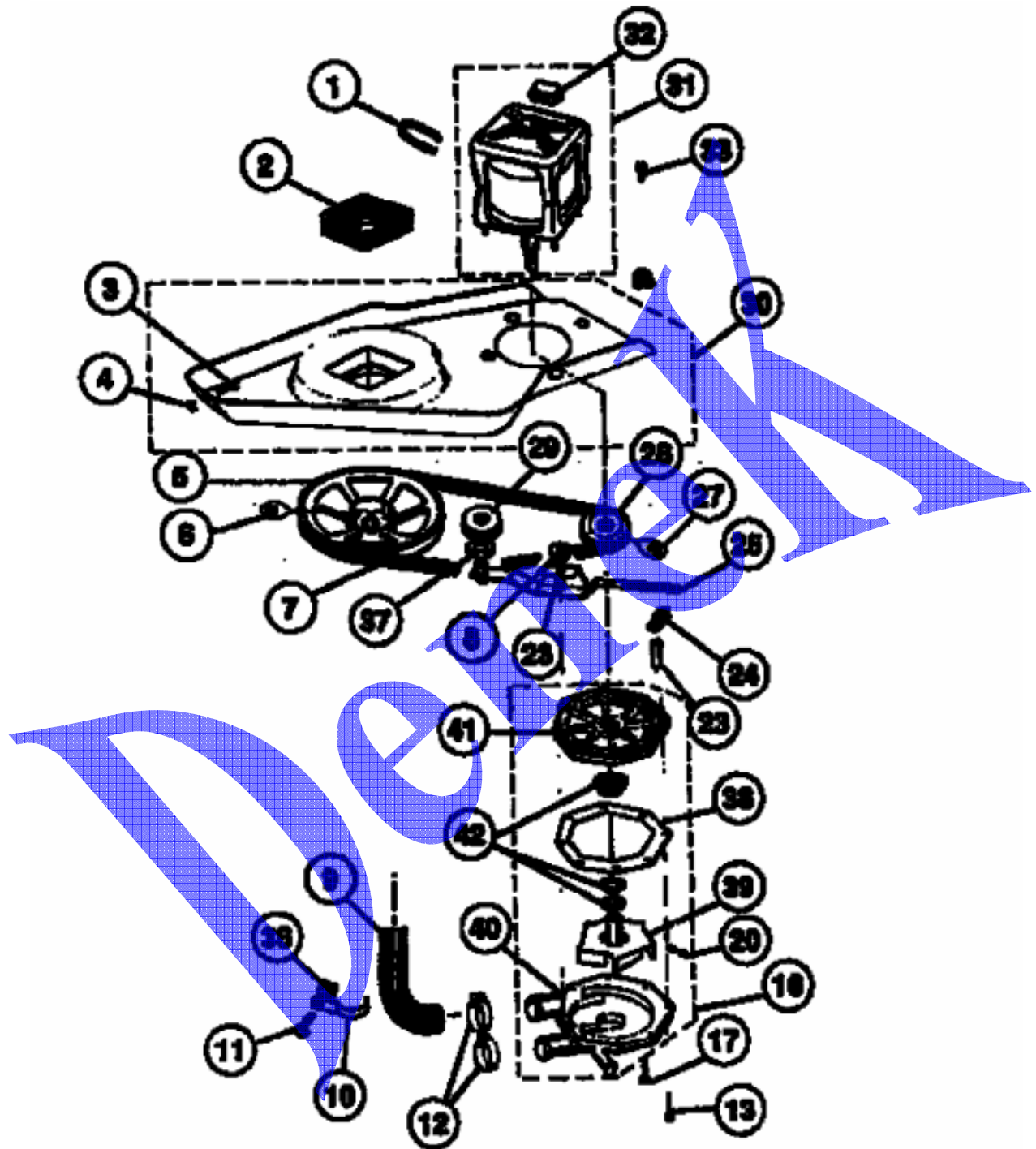
C.L. W.W. MODEL. WL24F4WW

BASE Y TINAS

NUMERO	N. DE PARTE	DESCRIPCION
*3189	8014892	CLIP-PRESSURE TUBE (SHORT)
*3189	F133016-000	PRIMER ADHESIVE FOR GROMMET-SPLASH TUB
*3189	8006576	ADHESIVE FOR GROMMET-SPLASH TUB
*3189	3161299	CLIP-PRESSURE TUBE (LONG)
1	3205029	TUB COVER
2	8027515	CHECK VALVE
4	3161121	SEAL
5	3161199	CLIP
8	3161122	AGITATOR CAP (INCLUDES 9)
9	F073565-000	WASHER
10	8027519	SCREW
11	3161485	AGITATOR
13	3161486	SPIN TUB
14	8001923	LOCKPLATE
15	8014908	TRUNNION
16	3161127	SPLASH TUB
17	8027536	BEARING HOUSING ASSY
18	3161283	SPEEDNUT
21	8002385	SNUBBER RING
22	3161284	BOLT-SHIPPIG
23	3161202	BLOCK-SHIPPIG
24	3161203	NUT
25	3161131	SPRING-VERT (SHORT)
26	3161132	LEG & DOME ASSY
27	3161204	NUT (6)
28	3161205	SCREW (6)
29	3161133	SPRING (LONG 2)
30	3161134	PLATE
31	8008997	HOSE-PUMP TO TRAP
32	3161285	SHIM
33	5303206795	BUTTON TRAP
34	3161286	GROMMET
36	5303208456	TUBE-PRESSURE
37	3161288	CLIP
38	3204998	HARNESS-LOWER (WASHER MOTOR)
41	5303207418	VALVE WATER
42	3205033	LID LOCK
44	3205034	HOSE-VALVE TO INLET
45	8002401	THRUST WASHER
46	3205035	BRACKET
47	8011280	SCREW
48	3010202	SCREW
50	8027517	SCREW
52	F064154-013	CLAMP
53	3161207	CLAMP
54	8002367	CLAMP
55	8014913	CLAMP
56	3161274	SCREW
57	3161287	CLIP
58	8006573	SPRING-HORIZ (SHORT 2)
59	3161233	SCREW
61	F140162-000	HOSE-INLET (2)
65	8011275	SHIELD-MOTOR
66	3161296	WASHER (4)

C.L. W.W. MODEL. WL24F4WW

MOTOR Y BOMBA



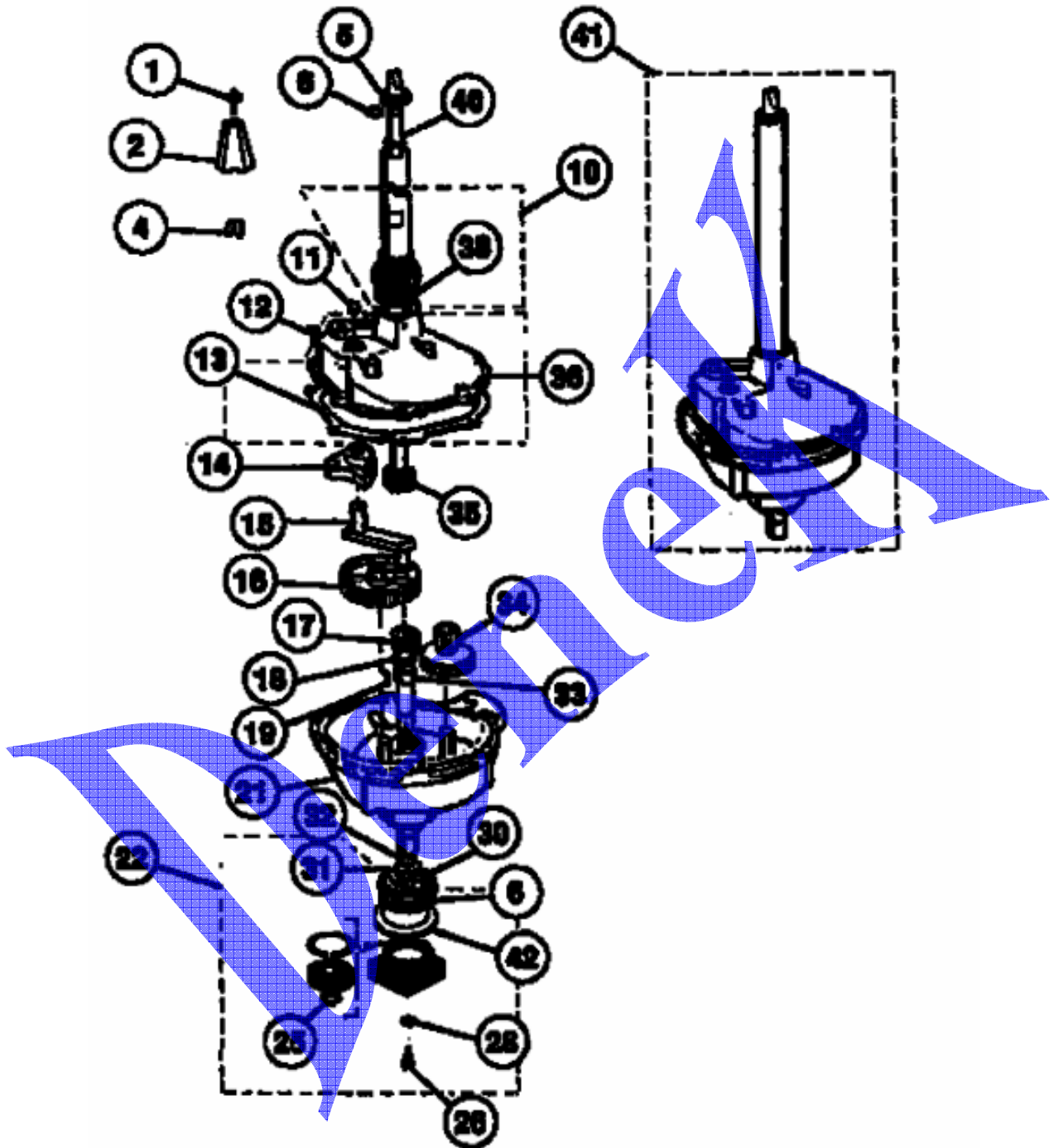
C.L. W.W. MODEL. WL24F4WW

MOTOR Y BOMBA

NUMERO	N. DE PARTE	DESCRIPCION
1	3161300	TIE
2	F077009-100	CUSHION
3	3161211	BOLT (3)
4	3161212	LOCKNUT (3)
5	3205951	PULLEY-TRANSMISSION
6	3161456	SET SCREW
7	3161152	BELT
8	8027535	BUSHING
9	F141127-000	HOSE
10	8004052	CLAMP
11	3161215	SCREW
12	8014914	CLAMP
13	8002390	SCREW
16	3937013	PUMP-COMPLETE
17	3161184	SCREW
20	3161217	SCREW
23	3161303	SPACER
24	8002456	SPRING
25	3937001	IDLER ARM ASSY.
27	5303206869	SET SCREW
28	8006686	PULLEY - MOTOR
29	3161159	V-PULLEY, IDLER ARM
30	F079494-300	SUPPORT PLATE & BOLTS
31	8015502	MOTOR & SWITCH
32	8014888	SWITCH - MOTOR (GE)
33	5303206864	SCREW - GROUND
36	8004096	SPEEDNUT
37	3161306	SPRING WASHER
38	8002396	GASKET
39	F079428-000	IMPELLER KIT (CONSISTS OF SEAL ASSEMBLY, GASKET, IMPELLE
40	3161489	HOUSING - PUMP
41	F077352-000	COVER - PUMP
42	3161165	SEAL KIT (CONSISTS OF SEAL ASSEMBLY & GASKET.)

C.L. W.W. MODEL. WL24F4WW

PARTES DE LA TRANSMISION



C.L. W.W. MODEL. WL24F4WW

PARTES DE LA TRANSMISION

NUMERO	N. DE PARTE	DESCRIPCION
*3190	5303208460	OIL-TRANSMISSION (1 QT.)
*3190	3161182	SLEEVE - CLUTCH COIL
1	3161221	STUD BOLT
2	8014904	DRIVE BLOCK
4	3161222	SHIM
5	8011273	SEAL - UPPER LIP
6	3161223	RETAINING RING (2)
10	8950197	WATER SEAL KIT
11	3161224	PIPE PLUG
12	8002804	SCREW
13	8015778	GASKET
14	8011268	GEAR - SECTOR
15	3161169	ROD - CONNECTING
16	8015496	GEAR - CRANK
17	8014905	SHAFT ASSY. - LOWER
18	3161226	THRUST WASHER
19	3161227	DOWEL PIN
21	F140586-000	HOUSING LOWER (INCLUDES 13)
22	8950058	BEARING HOUSING/LGS SPRING PKG.
25	8015536	RETAINING RING
26	8027582	SCREW
28	5303207426	SPACER - RUBBER (2)
30	3351064	SPACER WASHER
31	3161226	THRUST WASHER
32	3161173	SEAL - LOWER LIP
33	3161174	SPRING (SMALL) LGS
34	3161175	GEAR - IDLER
35	8014910	SHAFT ASSY. - AGITATOR
36	F140588-000	HOUSING UPPER
38	3161231	SLINGER
40	3161232	THRUST WASHER
41	5303208459	TRANSMISSION - COMPLETE
42	8057430	WASHER