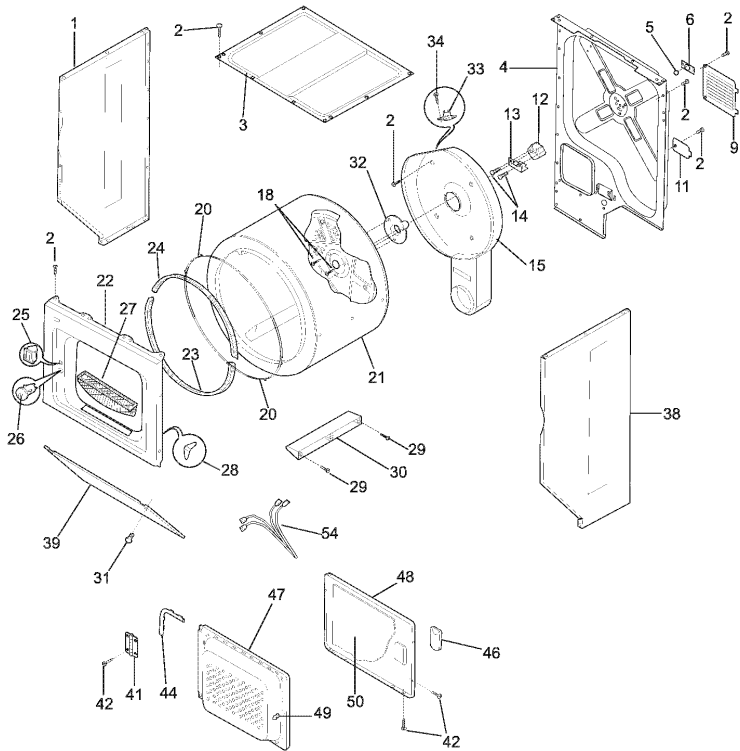


WLSG62RFW5 BASE



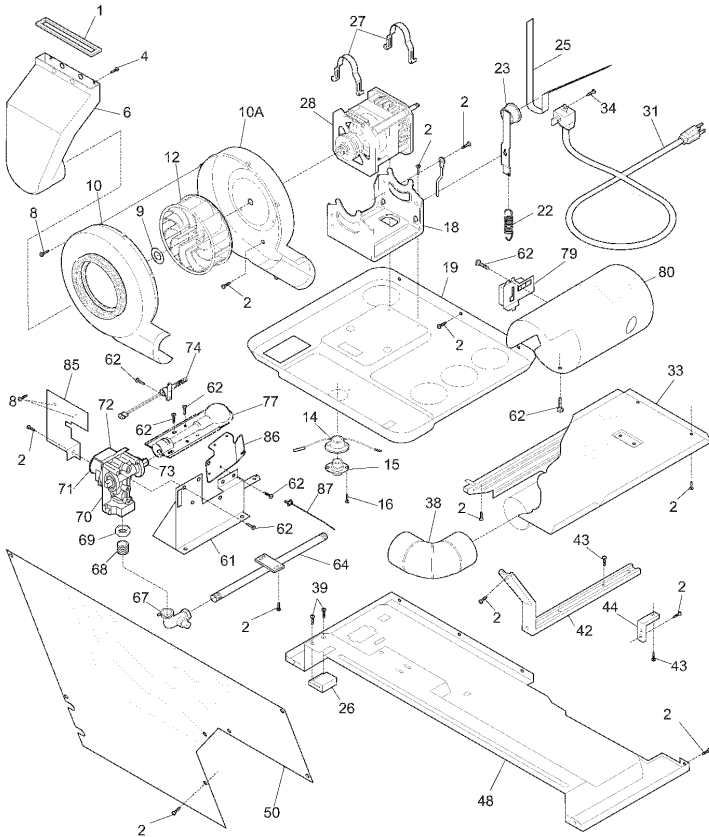


WLSG62RFW5 BASE

1	WE14M115	PANEL,WHITE ,LEFT SIDE (S/P)
2	131168200	SCREW,PAN HEAD ,8-18B X 0.31 (S/P)
3	131883301	PANEL,TOP (S/P)
4	134799902	PANEL,REAR ,STEEL ,GALVANIZED (S/P)
5	5303281019	BALL (S/P)
6	5303281020	CLIP,BALL ,STEEL ,FLAT NUT (S/P)
9	3204249	PANEL,MOTOR ACCESS ,REAR (S/P)
11	5303207395	COVER,TERMINAL BLOCK DESCONTINUADO
12	131825900	BEARING,DRUM SUPPORT
13	131724300	BRACKET,BEARING SUPPORT (S/P)
14	131205400	SCREW,BRACKET MTG. ,10-16B X 1.375 (S/P)
15	5303207394	HOUSING,HEATER ,W/DUCT & SEAL (S/P)
18	131477000	SCREW,10-16AB X 0.375 (S/P)
20	131963900	GLIDE,DRUM
21	134122532	DRUM,DRYER ,GALVANIZED STL. ,SERVICE KIT (S/P)
22	134031600	PANEL,FRONT ,WHITE ,SVCE KIT W/PLUG (S/P)
23	5303937183	SEAL,FELT ,LOWER
24	5303937182	SEAL,FELT ,UPPER
25	131658800	DOOR CATCH (S/P)
27	131359600	LINT TRAP
28	5303281074	CLIP,GUIDE ,(3)
29	131382300	SCREW,QUADREX HEAD (S/P)
30	5303201200	VANE,STRAIGHT (S/P)
31	131202300	SCREW,PPH ,10-16AB X 0.625 (S/P)
32	5303281153	SHAFT,DRUM SUPPORT ,BALLHITCH
34	131243800	SCREW,PAN HD LOCKING , (S/P)
38	131084810	PANEL,WHITE ,RIGHT SIDE (S/P)
39	131084402	PANEL,ACCESS ,WHITE ,FRONT (S/P)
41	134222900	HINGE,DRYER DOOR (S/P)
42	131209600	SCREW,FLAT HEAD ,8-18AB X 0.44 (S/P)
44	131129900	GASKET,DOOR SEAL (S/P)
46	131789400	HANDLE,DOOR ,WHITE (S/P)
47	131579103	PANEL,INNER DOOR ,WHITE (S/P)

48	131789303	PANEL, OUTER DOOR ,WHITE (S/P)
49	5303207102	DOOR STRIKE (S/P)
50	134535300	INSULATOR, HEAT SHIELD , OUTER DOOR (S/P)
F54	131498900	WIRING HARNESS, DOOR SWITCH , W/O LIGHT (S/P)
NI	131870700	PLUG, LIGHT HOLE (S/P)
F33	5304406099	THERMOSTAT, SAFETY (S/P)
F26	5308001614	SWITCH, DOOR , W/O DRUM LIGHT DESCONTINUADO

WLSG62RFW5 MOTOR



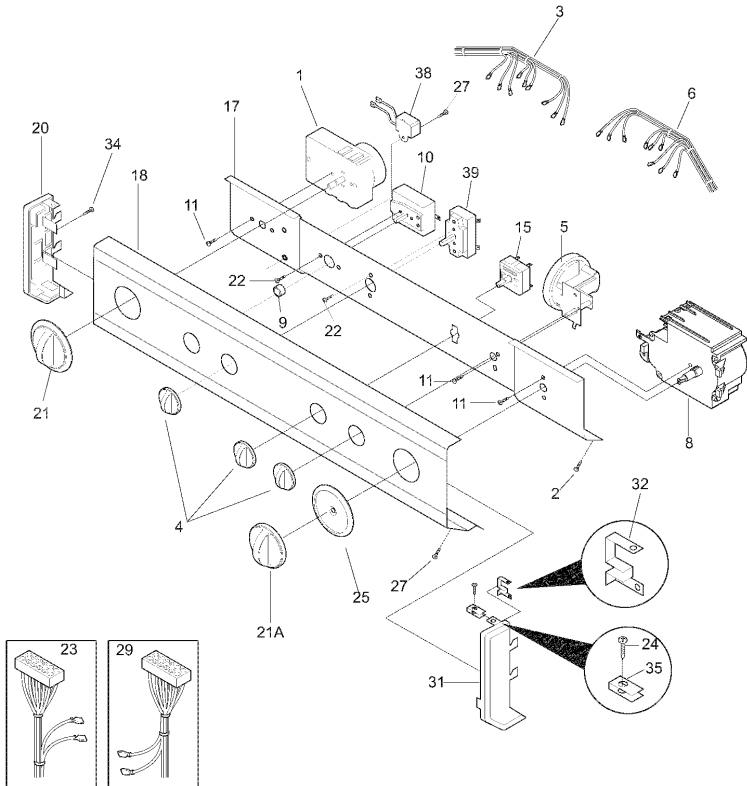


WLSG62RFW5 MOTOR

1	131295200	SEAL,AIR DUCT (S/P)
2	131168200	SCREW,PAN HEAD ,8-18B X 0.31 (S/P)
4	131362400	FASTENER,PUSH-IN (S/P)
6	134086300	DUCT,AIR
8	3205245	SCREW,PAN HEAD ,6-18AB X 0.60 (S/P)
9	5303304824	CLAMP
10	131784500	HOUSING,BLOWER ,FRONT ,WITH SEAL
12	131476300	BLOWER WHEEL
16	131311900	SCREW,QUADREX PH ,8-18AB X 0.500 (S/P)
18	131413600	CRADLE,MOTOR MOUNT ,WITH IDLER STUD (S/P)
19	131363901	PANEL,MOTOR CRADLE MT (S/P)
22	3205241	SPRING,IDLER (S/P)
23	131623300	IDLER ARM ASSY,WITH PULLEY (S/P)
26	5303212870	BLOCK,SUPPORT ,BOTTOM PANEL (S/P)
27	134242400	CLAMP,MOTOR MTG. (S/P)
33	131731410	SHIELD,ACCESS AREA ,COVER (S/P)
34	131301100	SCREW,HEX WASHER HEAD (S/P)
38	3204320	ELBOW,EXHAUST DUCT (S/P)
39	131205100	SCREW,NO.8 PAN HEAD ,10-10B X 0.500 (S/P)
42	5304439185	BRACKET,MARRIAGE ,INTERIOR (S/P)
43	131751500	SCREW,HEX HEAD ,12-24T 0.63 (S/P)
44	3204326	BRACKET,L MOUNTING ,CABINET REAR (S/P)
48	131731310	PANEL,DRYER ,BOTTOM REAR (S/P)
50	3204329	COVER,SAFETY ,LOWER FRONT (S/P)
61	5303309493	BRACKET,GAS VALVE MTG (S/P)
62	215822000	SCREW,PAN HEAD ,8-18AB X 0.375 (S/P)
64	134145200	PIPE,GAS (S/P)
85	134287300	SHIELD,HEAT (S/P)
86	134264800	PLATE,ADAPTER (S/P)
87	131964400	CABLE TIE,PUSH MOUNT ,5.20 INCH (S/P)
F25	134503900	BELT,DRYER DRIVE
F70	134169200	VALVE,LP GAS (S/P)
NI	134169500	GAS CONVERSION KIT,LP TO NATURAL (S/P)

F67	131498500	VALVE,GAS SHUTOFF (S/P)
NI	8015112	CAP,PIPE (S/P)
F15	131322600	THERMOSTAT,CONTROL
F68	134185100	TAIL PIECE,COUPLING (S/P)
F28	134196600	MOTOR,DRYER DRIVE ,WITH PULLEY (S/P)
F77	134216600	BURNER ASSY (S/P)
F14	5303207400	THERMOSTAT,HEATER
F80	131712401	TUBE,BURNER (S/P)
F31	134099900	POWER CORD,ELECTRIC SVCE
FNI	134101400	TERMINAL BLOCK,MAIN (S/P)
10A	134145100	HOUSING,BLOWER ,REAR (S/P)
F74	134393700	IGNITER ASSY (S/P)
F71	5303931775	SOLENOID,SECONDARY COIL
F73	5303207410	ORIFICE,NATURAL GAS ,SIZE 44 (S/P)
F69	5308015194	UNION,HEX NUT (S/P)
F79	5303281135	SENSOR,RADIANT (S/P)
F72	5303931775	SOLENOID,BOOSTER COIL

WLSG62RFW5 TABLERO

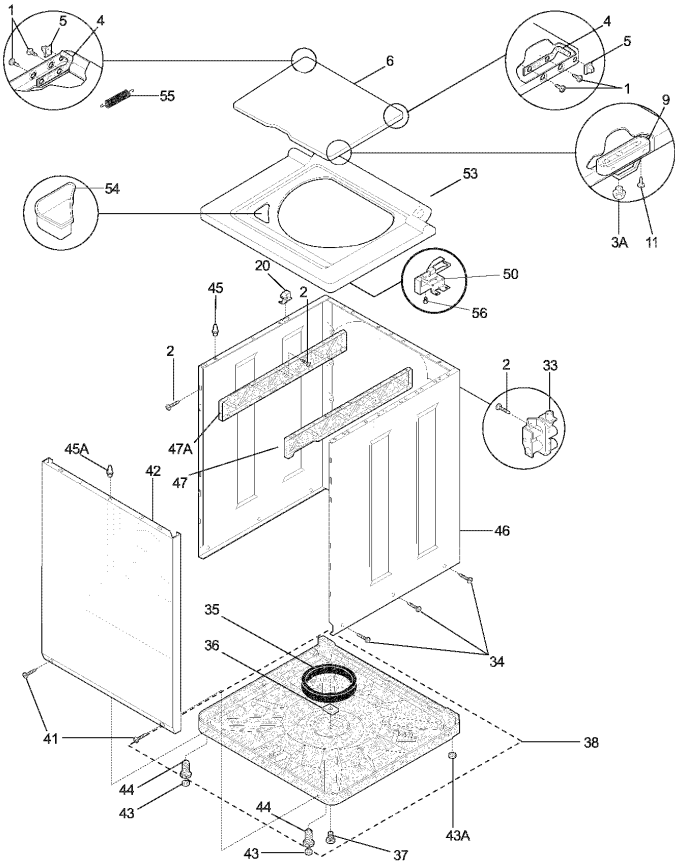




WLSG62RFW5 TABLERO

1	5303297139	TIMER, DRYER (S/P)
2	131168200	SCREW, PAN HEAD ,8-18B X 0.31 (S/P)
3	131662600	WIRING HARNESS, DRYER DESCONTINUADO
4	131858000	KNOB, ROTARY ,BLACK/WHITE (S/P)
5	134493500	SWITCH, PRESSURE ,INFINITE
6	134542500	WIRING HARNESS, WASHER CONTROL (S/P)
8	134049600	TIMER, WASHER
9	131111500	KNOB, START SWITCH ,BLACK
11	5303283289	SCREW, CR PAN HEAD (S/P)
17	134263400	BRACKET, CONTROL MTG (S/P)
18	131693600	PANEL, TRIMPLATE ,CONSOLE FRONT (S/P)
20	131288100	END CAP, BLACK ,LH (S/P)
21	131859100	KNOB, DRYER TIMER ,BLACK/WHITE
22	3161259	SCREW, SWITCH MTG ,6-32 X 0.19 ,(2) ,SEMS (S/P)
24	131209600	SCREW, FLAT HEAD ,8-18AB X 0.44 (S/P)
25	131976701	POINTER, TIMER ,BLACK ,WHITE INDICATOR (S/P)
27	131892100	SCREW, 6-20B X 0.230 (S/P)
31	131288210	END CAP, BLACK ,RH ,WITHOUT CUT OUT (S/P)
32	3204357	CLIP, GROUNDING (S/P)
34	215822000	SCREW, PAN HEAD ,8-18AB X 0.375 (S/P)
35	131063700	CLIP, END CAP MTG ,U-TYPE (S/P)
39	134399800	SWITCH, DRYER TEMP ,4 POSN ROTARY
NI	131827800	BEZEL, NAMEPLATE ,BLACK/WHITE (S/P)
21A	131977000	KNOB, WASHER TIMER ,BLACK
F29	134689400	WIRING HARNESS, WASHER ,LOWER (S/P)
NI	131209800	CLAMP, HOSE ,PRESSURE SWITCH (S/P)
F15	131621100	SWITCH, WATER TEMP ,4 POSN ROTARY
F10	131628900	SWITCH, PUSH START
FNI	134101400	TERMINAL BLOCK, MAIN (S/P)
NI	5303161300	STRAP, PLASTIC (S/P)
F38	5303286537	BUZZER (S/P)
F23	131848700	WIRING HARNESS, MAIN (S/P)

WLSG62RFW5 GABINETE

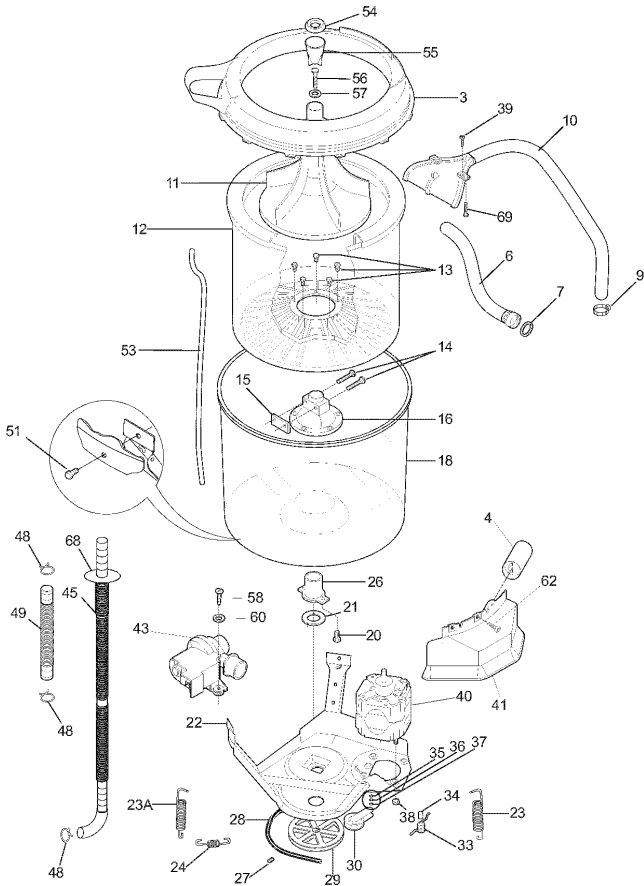




WLSG62RFW5 GABINETE

1	134203900	SCREW,PAN HD PHILLIPS ,6-32 X 0.337 (S/P)
2	131168200	SCREW,PAN HEAD ,8-18B X 0.31 (S/P)
4	3205250	HINGE BAR (S/P)
5	5303208743	GROMMET,HINGE (S/P)
6	5303212872	LID,WASHER ,WHITE (S/P)
9	131390000	LID STRIKE
11	3204368	SCREW,LID STRIKE MTG ,6-20B X 0.375 (S/P)
20	3204374	PIN,SLIDE ,SIDE TO TOP (S/P)
34	131205500	SCREW,CAB BODY ,1/4-14 X 0.625 (S/P)
35	5308002385	SNUBBER RING
36	3204380	SHIPPING BLOCK (S/P)
37	131658900	SCREW,SHIPPING ,1/4-20 X 1.001 (S/P)
38	5303311213	BASE ASSEMBLY (S/P)
41	131258400	SCREW,10-16AB X 0.500 (S/P)
42	131104303	PANEL,FRONT ,WHITE (S/P)
43	131422100	PAD,LEVELING LEG ,FRONT
44	5303309673	SCREW,LEVELING LEG ,WITH PAD
45	131346400	PIN,PANEL LOCATOR ,SIDE (S/P)
46	134046600	CABINET ASSY,WHITE ,BACK AND SIDES (S/P)
47	131106701	BRACKET,MARRIAGE ,RH (S/P)
53	134135800	PANEL,WASHER TOP ,WHITE (S/P)
54	3204394	DISPENSER,BLEACH (S/P)
55	5303212876	SPRING,LID ASSIST
56	215822000	SCREW,PAN HEAD ,8-18AB X 0.375 (S/P)
45A	131346401	PIN,PANEL LOCATOR ,FRONT (S/P)
3A	134075500	BUMPER,LID ,FRONT
F50	134101800	LOCK,LID ,W/EXT SWITCH
43A	131422200	PAD,SELF LVLG LEG ,REAR (S/P)
47A	131091001	BRACKET,MARRIAGE ,LH (S/P)
F33	134190200	VALVE,WATER ,115 V

WLSG62RFW5 TINAS



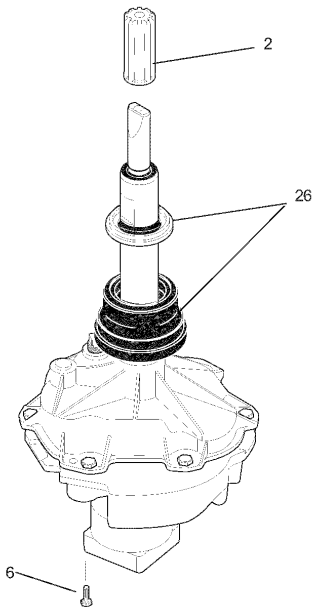
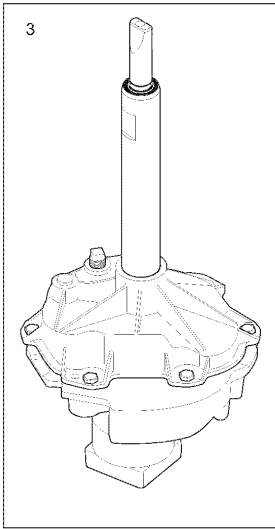


WLSG62RFW5 TINAS

3	131551103	COVER,SPLASH TUB ,WITH SEAL
6	131279600	HOSE,WATER INLET ,4 FT. (S/P)
7	5303161296	WASHER,INLET HOSE (S/P)
9	5303304824	CLAMP
10	131726300	HOSE ASSY,W/NOZZLE,CLAMP
11	131427200	AGITATOR (S/P)
12	131221310	TUB,SPIN (S/P)
13	5303283293	SCREW,TRUNION ,5/16-18 X 0.625 ,(5)
14	131192800	SCREW,LOCKPLATE ,5/16-18 X 1.625 (S/P)
15	137107000	PLATE,LOCK
16	131545101	TRUNNION
18	131557201	TUB,SPLASH ,W/AIR DOME,BRG (S/P)
20	3205150	SCREW,TUB BEARING ,8-12B X 0.750 (S/P)
21	5308002401	WASHER,SPIN BEARING ,UPPER (S/P)
22	131373610	LEG & DOME ASSY
23	5303208858	SPRING,VERTICAL ,SHORT
24	131373900	SPRING,HORIZONTAL
27	5303304825	SCREW,SET,HEX HD CUP ,5/16-18 X 0.85 (S/P)
33	3204425	SPRING,TORSIONAL
34	3204426	SLEEVE,IDLER PIVOT
35	3161433	RING,RETAINING (S/P)
36	5303261031	WASHER,PIVOT SHAFT
37	5303161306	WASHER,SPRING TYPE
38	5303318708	NUT,HEX FLANGE ,MOTOR MOUNTING (S/P)
39	131205100	SCREW,NO.8 PAN HEAD ,10-10B X 0.500 (S/P)
41	131513300	SHIELD,MOTOR ASSY ,W/SPEED NUTS (S/P)
45	134049200	HOSE,DRAIN
48	131306234	CLAMP,PUMP TO TRAP (S/P)
51	134164400	SCREW,HEX WASHER HEAD (S/P)
53	5304401845	TUBE,PRESSURE ,VINYL
54	131266800	CAP,DISPENSER (S/P)
55	131206100	CUP,DISPENSER (S/P)
56	131468900	SCREW,AGITATOR MTG ,5/16-18 X 1.250 (S/P)

57	131339600	SPACER,AGITATOR MTG ,RUBBER (S/P)
58	134160900	SCREW,QUADREX ,10-16AB X 0.750 (S/P)
60	5303304015	WASHER,0.21 X 0.71 ,0.06 THICK (S/P)
62	131258400	SCREW,10-16AB X 0.500 (S/P)
68	131707800	RING,DRAIN HOSE (S/P)
69	131731500	FASTENER,RATCHET (S/P)
F4	131212301	CAPACITOR,MOTOR (S/P)
F49	131494800	HOSE,PUMP TO TUB
NI	131506500	CLIP,DRAIN HOSE ,BACK SHEET ,(2) (S/P)
NI	131663500	CUSHION,DRAIN HOSE ,BASE (S/P)
F30	131862900	IDLER ARM ASSY,VAW ,WITH PULLEY
NI	131901400	· SEAL,SPLASH COVER
F28	131686100	V-BELT,WASHER DRIVE ,STANDARD 4L
F43	134051200	PUMP,DRAIN
F40	131902700	MOTOR,3/4 HP,2 SPEED ,WITH PULLEY
NI	131462500	CLIP,DRAIN HOSE ,BASE (S/P)
F29	131498300	PULLEY,XMSN DRIVE
NI	5303212877	INSERT,SPRING ADJUSTER ,VERTICAL
NI	131453000	BUSHING,SNAP-IN (S/P)
NI	5303309503	CLIP,DRAIN HOSE ,BACK SHEET (S/P)
F26	3204405	BEARING,OUTER TUB
23A	5303208860	SPRING,VERTICAL (S/P)

WLSG62RFW5 TRANSMISION





WLSG62RFW5 TRANSMISION

3	134736400	TRANSMISSION ASSY,H+-HELICAL GEAR
6	134197900	SCREW,HEX WASHER HEAD ,1/4-20 X 0.437 (S/P)
F2	134418700	HUB,DRIVE ,AGITATOR
F26	5308950197	SEAL ASSY,TUB ,TRANSMISSION