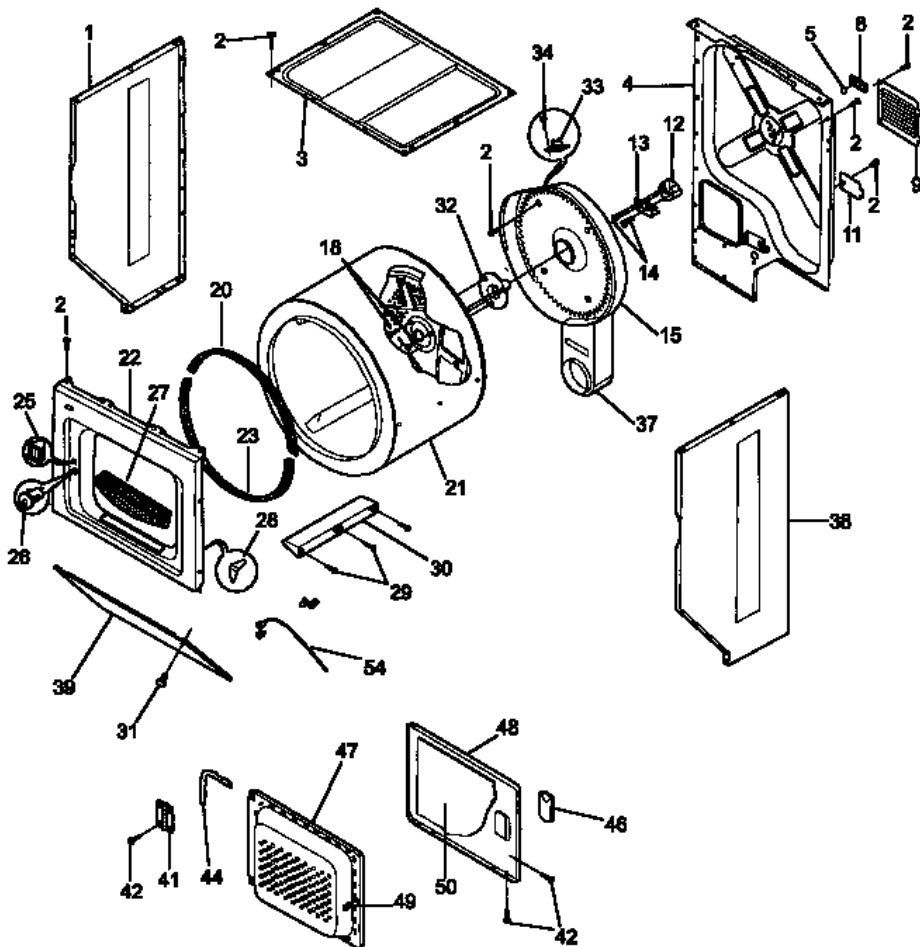


Distribuidor Autorizado

**SurteRápido.com**

Venta de Refacciones  
Electrodomesticas

WLXG42RED0 TAMBOR





## WLXG42RED0 TAMBOR

1	131084701	PANEL-LEFT SIDE,ALMOND (S/P)
2	131168200	SCREW,8-18 X 0.31 (S/P)
3	131883301	PANEL,GALVANIZED (S/P)
4	134799902	PANEL-REAR (S/P)
5	5303281019	BALL (S/P)
6	5303281020	CLIP-BALL (S/P)
9	3204249	PANEL-ACCESS,DRYER (S/P)
11	5303207395	COVER-TERM BLOCK <b>DESCONTINUADO</b>
12	131825900	BEARING-SHAFT
13	131724300	BRACKET-BEARING <b>DESCONTINUADO</b>
14	131205400	SCREW-BRACKET,10-16B X 1.375 (S/P)
15	5303207394	HOUSING-HEAT & DUCT (S/P)
18	131477000	SCREW-SHAFT&BAFFLE,CO (S/P)
20	5303937139	GLIDE-DRUM
21	134138200	ASMY-DRUM (S/P)
22	134031700	PANEL-FRONT,ALMOND (S/P)
23	5303281049	SEAL-BASKET LOWER
25	131658800	CATCH-DOOR (S/P)
26	5308001614	SWITCH-DOOR <b>DESCONTINUADO</b>
27	131359600	TRAP-LINT
28	5303281074	CLIP-GUIDE,(3)
29	131382300	SCREW-VANE,QUADREX HEAD (S/P)
30	5303201200	VANE
31	131202300	SCREW-,PPH AB ,10-16 X 0.625 (S/P)
32	5303281153	ASMY-SHAFT (BALLHITCH)
33	5304406099	THERMOSTAT-SAFETY
34	215822000	SCREW,PAN HEAD ,8-18AB X 0.375 ,39 (S/P)
37	131776500	DUCT-HEAT (S/P)
38	131084801	PANEL-RIGHT SIDE,ALMOND (S/P)
39	131084403	PANEL-ACCESS,ALMOND (S/P)
41	134222900	HINGE-DOOR (S/P)
42	131209600	SCREW,FLAT HEAD ,8-18AB X 0.44 (S/P)
44	131129900	GASKET-DOOR (S/P)

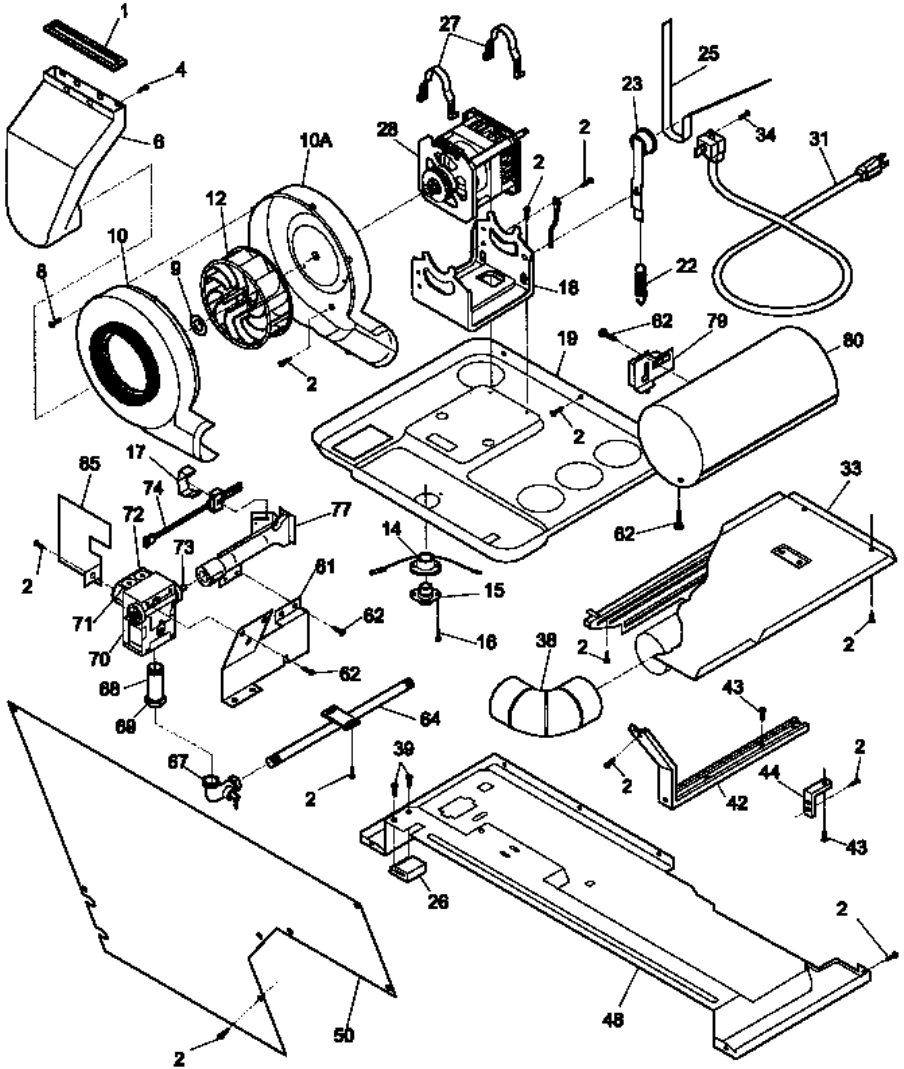
46	131789401	HANDLE-DOOR, ALMOND (S/P)
47	131579104	DOOR-INNER,ALMOND (S/P)
48	5304433068	DOOR-OUTER ALMOND (S/P)
49	5303207102	STRIKE-DOOR (S/P)
50	134535300	SHIELD-HEAT (S/P)
54	131498900	HARNESS-DOOR SWITCH (S/P)

Distribuidor Autorizado

SurteRápido.com

Venta de Refacciones  
Electrodomesticas

## WLXG42RED0 MOTOR





## WLXG42RED0 MOTOR

1	131295200	SEAL-AIR DUCT (S/P)
2	131168200	SCREW,8-18 X 0.31 (S/P)
4	131362400	FASTENER (S/P)
6	134086300	DUCT-AIR
8	3205245	SCREW-BLOWER HSG,PPH AB ST/Z/CH (S/P)
9	5303304824	CLAMP
10	131784500	ASMY,FRT BLW HSG/SEAL <b>DESCONTINUADO</b>
10	131784500	HOUSING-BLOWER,REAR
12	131476300	WHEEL-BLOWER (S/P)
14	5303207400	THERMOSTAT-HEATER
15	131322600	THERMOSTAT-CONTROL,15
16	3204308	SCREW-THERMOSTAT,PPH CUP PT (S/P)
17	131715500	CLIP-IGNITER (S/P)
18	131413600	CRADLE & STUD (S/P)
19	131363901	PAN-MOTOR CRADLE (S/P)
22	3205241	SPRING-IDLER (S/P)
23	131623300	ASMY-IDLER & PULLEY
25	134503900	BELT-DRYER
26	5303212870	BLOCK-SUPPORT (S/P)
27	131419800	CLAMP-MOTOR (S/P)
28	5303937189	MOTOR & PULLEY
31	134099900	CORD-POWER
33	131731410	SHIELD-ACCESS (S/P)
34	131301100	SCREW-GROUND CAB,HEX WASHER (S/P)
38	3204320	ELBOW-EXHAUST (S/P)
39	131205100	SCREW,8 PAN HEAD ,10-10B X 0.50 (S/P)
42	5303306278	BRACKET-MARRIAGE (S/P)
43	131751500	SCREW 12-24 X .63 HEX HD (S/P)
44	3204326	BRACKET-EXTERNAL (S/P)
48	131731310	PAN-BOTTOM (S/P)
50	3204329	COVER-SAFETY (S/P)
61	5303207404	BRACKET-GAS VALVE (S/P)
62	215822000	SCREW,PAN HEAD ,8-18AB X 0.375 ,39 (S/P)

64	5303207405	PIPE (S/P)
67	131498500	VALVE-SHUT OFF (S/P)
68	5362791200	UNION-MALE CONNECTOR,BRASS
69	8015194	NUT-UNION,HEX (S/P)
70	5303207409	VALVE-GAS
71	5303931775	COIL-SECONDARY
72	5303931775	COIL-BOOSTER
73	5303207410	ORIFICE,NATURAL GAS (S/P)
74	5303937186	IGNITOR ASSY (S/P)
77	131763500	ASMY-BURNER (S/P)
79	5303281135	SENSOR (S/P)
80	131712401	TUBE-BURNER (S/P)
85	131712300	SHIELD-HEAT (S/P)

Distribuidor Autorizado

SurteRápido.com

Venta de Refacciones  
Electrodomesticas

# WLXG42RED0 TABLERO





## WLXG42RED0 TABLERO

1	131225400	TIMER
2	131168200	SCREW,8-18 X 0.31 (S/P)
3	131323300	HARNESS-DRYER CONT. (S/P)
4	131858000	KNOB-ROTARY (S/P)
5	134422700	SWITCH-PRESSURE
6	131694400	HARNESS-WASHER CONTROL (S/P)
8	131437300	TIMER-WASHER
9	131111500	KNOB-START SWITCH,BLACK
10	131628900	SWITCH-PUSH START
11	5303283289	SCREW,CR PAN HEAD ,8-32 X 0.25 (S/P)
17	131712602	BRACKET-CONTROL (S/P)
18	131709800	PANEL-CONTROL (S/P)
20	131288100	END CAP-LH (S/P)
21	131977000	KNOB-WASHER TIMER
21	131859100	KNOB-DRYER TIMER
23	131848700	HARNESS-LCD MAIN GAS (S/P)
24	131209600	SCREW,FLAT HEAD ,8-18AB X 0.44 (S/P)
25	5303209901	DIAL-TIMER <b>DESCONTINUADO</b>
26	3205248	SPACER-TIMER SHAFT (S/P)
27	3205253	SCREW-END CAP,PPH B ,6-20X.375 (S/P)
29	131778700	HARN-LWR WSHR L/C G.E.,29 (S/P)
31	131288210	END CAP-RH (S/P)
32	3204357	CLIP-GROUNDING (S/P)
34	215822000	SCREW,PAN HEAD ,8-18AB X 0.375 ,39 (S/P)
35	131063700	CLIP-END CAP (S/P)

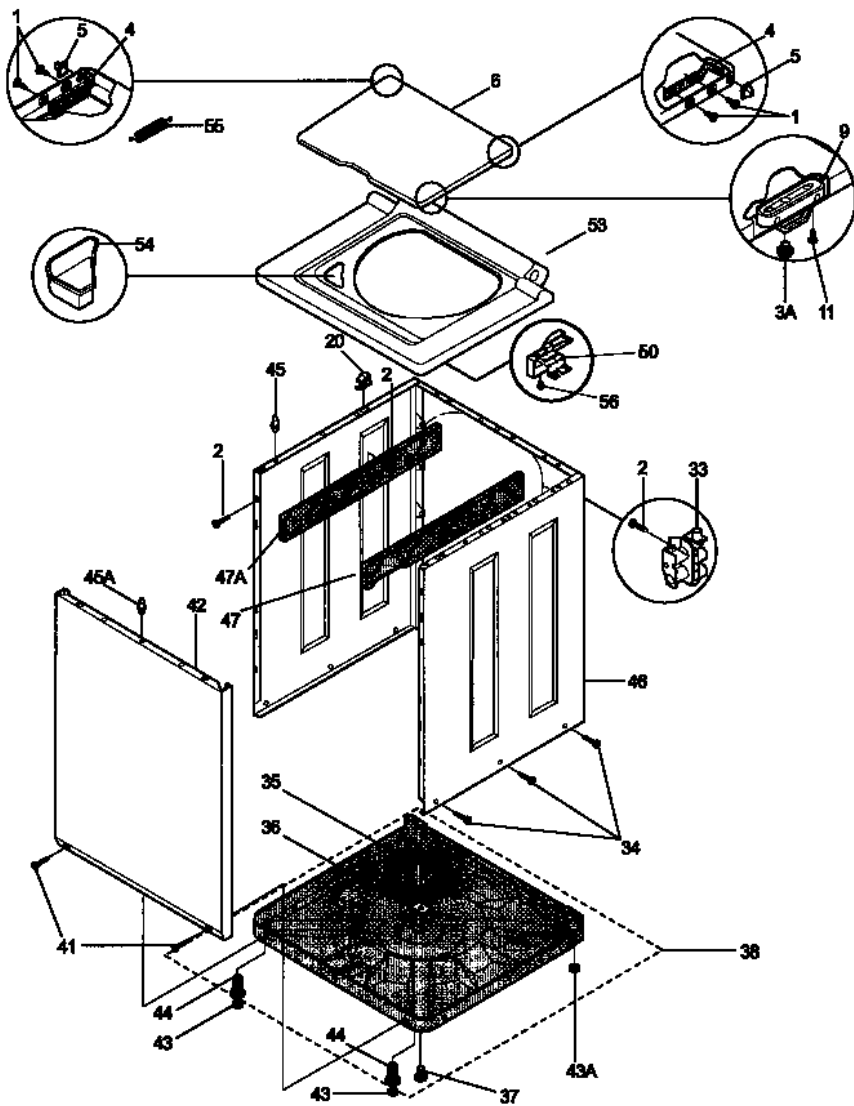


Distribuidor Autorizado

SurteRápido.com

Venta de Refacciones  
Electrodomesticas

# WLXG42RED0 GABINETE





**WLXG42REDO GABINETE**

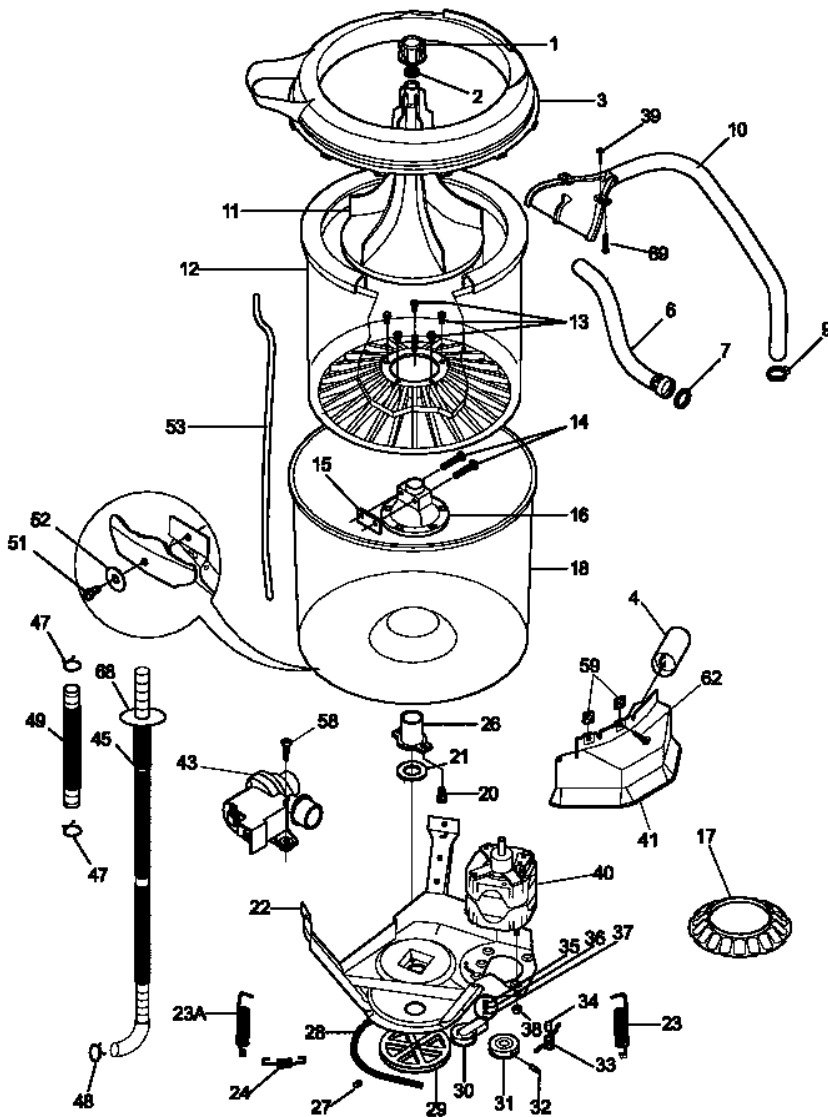
1	131587500	SCREW-HINGE,PPH 45DEG HDRPT (S/P)
2	131168200	SCREW,8-18 X 0.31 (S/P)
3	134075500	BUMPER-LID
4	3205250	HINGE-BAR (S/P)
5	3204362	GROMMET-HINGE (S/P)
6	5303212873	LID-ALMOND (S/P)
9	131390000	STRIKE-LID
11	3204368	SCREW-STRIKE,PFH B ,6-20X.375 (S/P)
20	3204374	PIN-SLIDE (S/P)
33	134190200	VALVE-WATER
34	131205500	SCREW-BODY,1/4-14 X 0.625 (S/P)
35	5308002385	RING-SNUBBER
36	3204380	BLOCK-SHIPPING (S/P)
37	131658900	SCREW-SHIPPING (S/P)
38	5303311213	BASE ASSEMBLY
41	131258400	SCREW-FRONT PNL,COMB TH AB ,10-16 X 0.500
42	131104305	PANEL-FRONT,ALMOND (S/P)
43	131422100	PAD-LEVELING LEG
43	131422200	PAD-LEVEL LEG (S/P)
44	5303309673	LEG-LEVELING,WITH PAD
45	131346401	PIN-LOCATING (S/P)
45	131346400	PIN-LOCATING (S/P)
46	134046602	BODY-ALMOND (S/P)
47	131106701	BRACKET-MARRIAGE RH (S/P)
47	131091001	BRACKET-MARRIAGE LH (S/P)
50	134101800	LOCK-LID
53	134136000	PANEL-TOP,ALMOND (S/P)
54	3204394	DISPENSER-BLEACH (S/P)
55	5303212876	SPRING-LID
56	131243800	SCREW-BRKT TOP,PAN HD LOCKING (S/P)

Distribuidor Autorizado

SurteRápido.com

Venta de Refacciones  
Electrodomesticas

WLXG42RED0 TINAS



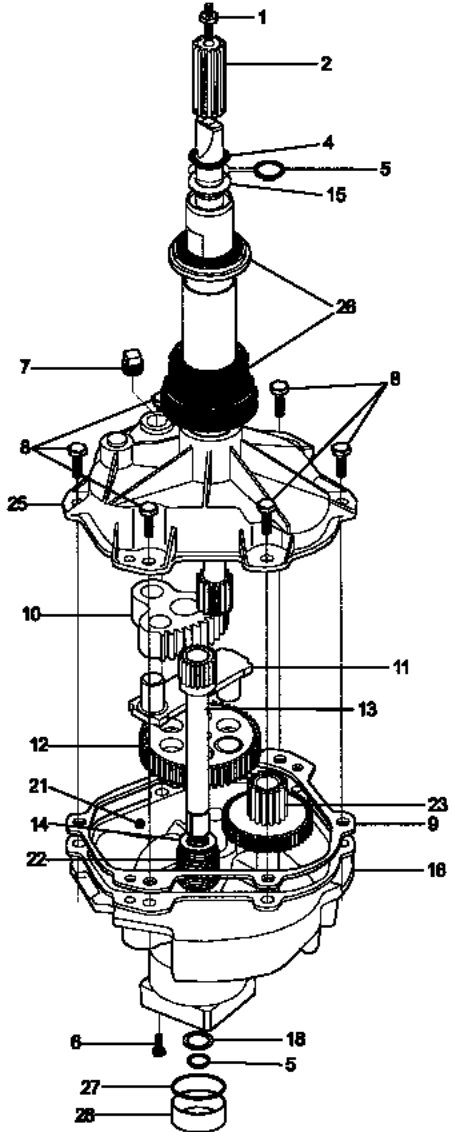
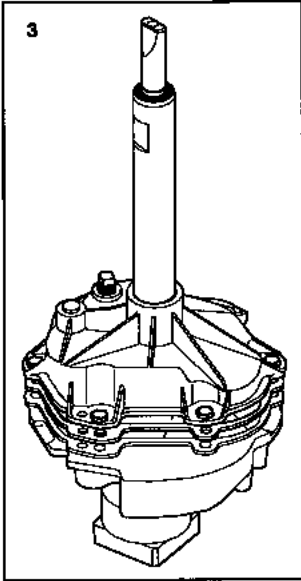


## WLXG42REDO TINAS

1	3204395	CAP-AGITATOR
2	3204396	SEAL-CAP
3	131398303	COVER-SPLASH TUB
4	131212301	CAPACITOR <b>(S/P)</b>
6	131279600	HOSE-INLET <b>(S/P)</b>
7	5303161296	WASHER-INLET HOSE <b>(S/P)</b>
9	5303304824	CLAMP
10	131726300	HOSE AND NOZZLE
11	3204401	ASMY-AGITATOR-STANDARD-SLIM
12	131370400	TUB-SPIN,AND TRUNNION
13	5303283293	SCREW-TRUNNION,UNC2AX.625 ,.312-18 ,(5)
14	131192800	SCREW-LOCKPLATE,HX ,.312-18 X.1.625 <b>(S/P)</b>
15	5308001923	LOCK PLATE
16	131545101	TRUNNION
17	131076600	FILTER-LINT
18	131557201	TUB-SPLASH,W/AIR DOME,BRNG <b>(S/P)</b>
20	3205150	SCREW-TUB BEARING,PPH B ST/Z , <b>(S/P)</b>
21	5308002401	Washer,spin bearing ,upper
22	131373610	LEG & DOME ASSY
23	5303208860	SPRING-VERTICAL
23	5303208858	SPRING-VERTICAL,SHORT
24	131373900	SPRING-HORIZONTAL
26	3204405	BEARING-OUTER TUB
27	5303304825	SCREW-SET,HHD CUP PT , <b>(S/P)</b>
28	131686100	BELT-WASHER
29	131498300	PULLEY-TRANSMISSION
30	131862900	ASMY-IDLER ARM
31	3204423	PULLEY-MOTOR
32	3204424	PIN-ROLL <b>(S/P)</b>
33	3204425	SPRING-TORSION
34	3204426	SLEEVE-IDLER
35	3161433	RING-RETAINING
36	5303261031	WASHER-PIVOT SHAFT

37	5303161306	WASHER-SPRING
38	5303318708	NUT-MOTOR (S/P)
39	131205100	SCREW,8 PAN HEAD ,10-10B X 0.50 (S/P)
40	131759900	MOTOR-MAIN,1SPD 1/2HP
41	131513300	SHIELD-MOTOR (S/P)
43	134051200	ASMY-PUMP (S/P)
47	131306234	CLAMP-HOSE TO TUB (S/P)
48	131306234	CLAMP-PUMP (S/P)
49	131494800	HOSE-PUMP TO TUB
51	131659000	SCREW-LEG,HWH TYP23 ,5/16-18X.875 (S/P)
52	3005891	WASHER-LEG,IDX.040 ,1.25 ODX.335 (S/P)
53	5304401845	TUBE-PRESSURE
58	131464900	SCREW-PUMP-TO BRACKET (S/P)
59	5303283052	CLIP-SHIELD (S/P)
62	131258400	SCREW-FRONT PNL,COMB TH AB (S/P)
68	131707800	RING-DRAIN HOSE (S/P)
69	131731500	FASTENER-RATCHET (S/P)
45A	131462500	CLIP-DRAIN HOSE (S/P)
45C	131461200	HOSE-DRAIN,90 INCH
45B	131506500	CLIP-DRAIN HOSE (S/P)

**WLXG42RED0 TRANSMISION**





## WLXG42RED0 TRANSMISION

1	131206800	STUD-AGITATOR CAP (S/P)
2	134418700	HUB-DRIVE,AGITATOR
3	134588800	TRANSMISSION-COMPLETE
4	5303161307	SEAL-UPPER LIP
5	5303161223	RING-RETAINING
6	131346600	SCREW (S/P)
7	5303161224	PLUG-PIPE (S/P)
8	5308002804	SCREW-TRANSM. (S/P)
9	5308015778	GASKET
10	5308011268	GEAR-SECTOR
11	131632701	ROD-CONNECTING
12	5308015496	GEAR-CRANK
13	5308014905	SHAFT-LOWER <b>DESCONTINUADO</b>
14	5303161226	WASHER-THRUST (S/P)
15	5303161232	WASHER <b>DESCONTINUADO</b>
16	131557800	HOUSING-LOWER <b>DESCONTINUADO</b>
18	5308002475	WASHER-SPACER (S/P)
21	3005242	OIL-TRANSMISSION,1QT (S/P)
22	5303161174	SPRING-SMALL LGS
23	5303161175	GEAR-IDLER
25	131878300	HOUSING-UPPER W/SHAFT (S/P)
26	5308950197	SEAL-TUB
27	131784300	WASHER-TRANS-BRG BLOCK <b>DESCONTINUADO</b>
28	131784400	SPACER-TRANS BRG BLOCK (S/P)