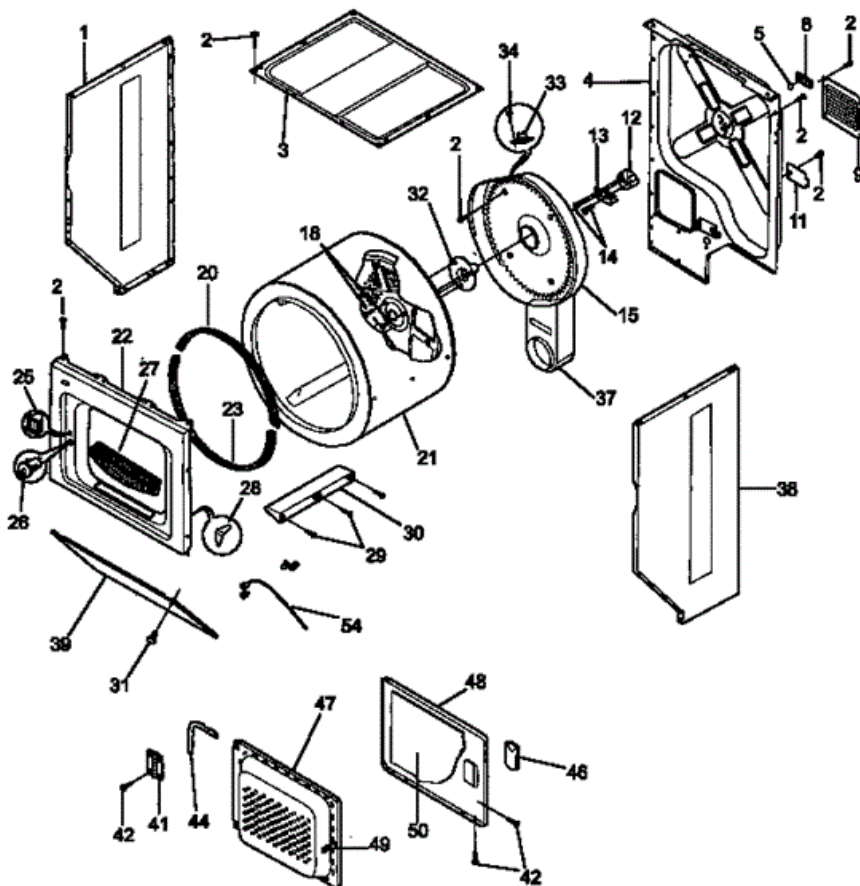


Distribuidor Autorizado

SurteRápido.com

Venta de Refacciones
Electrodomesticas

WLXG42REW0 TAMBOR





WLXG42REW0 TAMBOR

1	131084700	PANEL-LEFT SIDE-WHITE
2	131168200	SCREW, 8-18 X 0.31
3	3204247	PANEL, GALVANIZED
4	131752302	PANEL-REAR
5	5303281019	BALL
6	5303281020	CLIP-BALL
9	3204249	PANEL-ACCESS, DRYER
11	5303207395	COVER-TERM BLOCK
12	5303281008	BEARING-SHAFT
13	131724300	BRACKET-BEARING
14	131205400	SCREW-BRACKET, 10-16B X 1.375, CR/SQ DRIVE
15	5303207394	HOUSING-HEAT & DUCT
18	131477000	SCREW-SHAFT & BAFFLE, COMB PH AB SPCL,
20	5303937139	GLIDE-DRUM
21	131427865	ASMY-DRUM
22	131636202	PANEL-FRONT, WHITE, DRYER
23	5303283286	SEAL-BASKET LOWER
25	131658800	CATCH-DOOR
26	5308001614	SWITCH-DOOR
27	131359600	TRAP-LINT
28	5303281074	CLIP-GUIDE,(3)
29	131382300	SCREW-VANE, QUADREX HEAD, 10-14 X 1.00, SPECIAL
30	5303201200	VANE
31	131202300	SCREW-, PPH AB, 10-16 X 0.625
32	131777700	ASMY-SHAFT (BALLHITCH)
33	5304406099	THERMOSTAT-SAFETY
34	131243700	SCREW,PAN HEAD ,8-18AB X 0.375 ,39 ,CR/SQ DRIVE
37	131776500	DUCT-HEAT
38	131084800	PANEL-RIGHT SIDE-WHITE
39	131084402	PANEL-ACCESS-WHITE
41	131627500	HINGE-DOOR
42	131209600	SCREW, FLAT HEAD, 8-18AB X 0.44, CR/SQ DRIVE
44	131129900	GASKET-DOOR

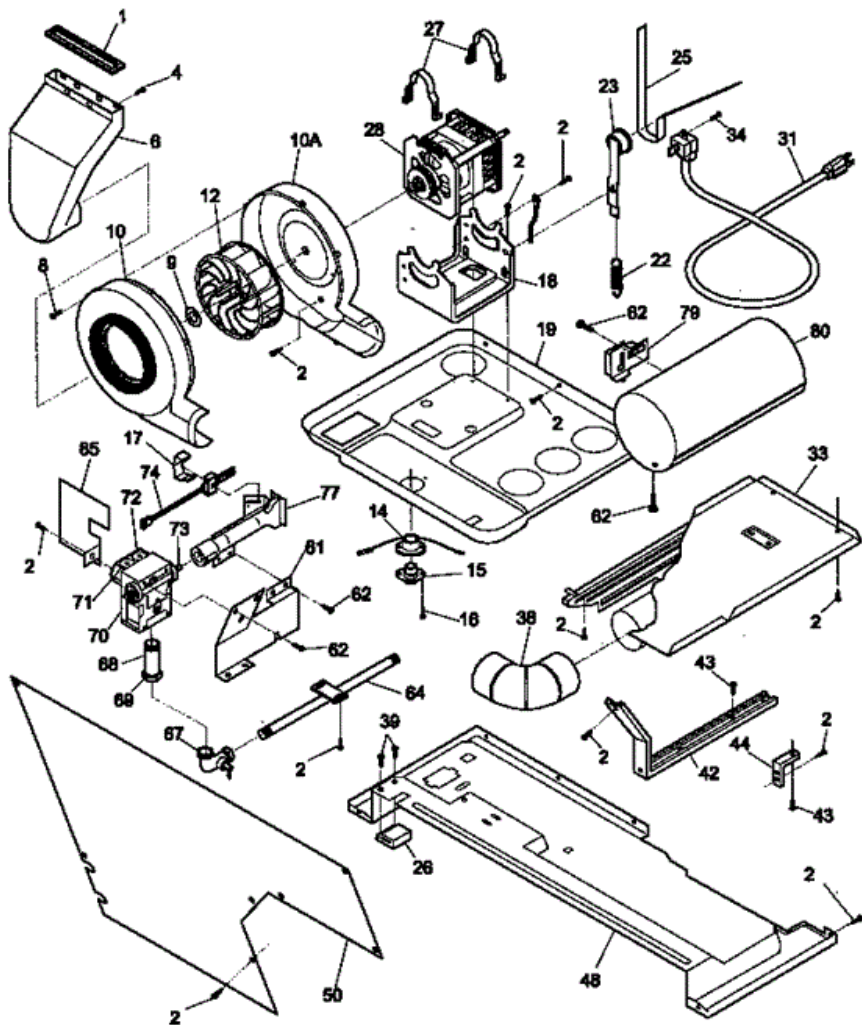
46	131789400	HANDLE-DOOR, WHITE
47	131579103	DOOR-INNER, WHITE
48	131789303	DOOR-OUTER, WHITE
49	5303211430	STRIKE DOOR
50	3204286	SHIELD-HEAT
54	131498900	HARNES-DOOR SWITCH

Distribuidor Autorizado

SurteRápido.com

Venta de Refacciones
Electrodomesticas

WLXG42REW0 MOTOR SEC



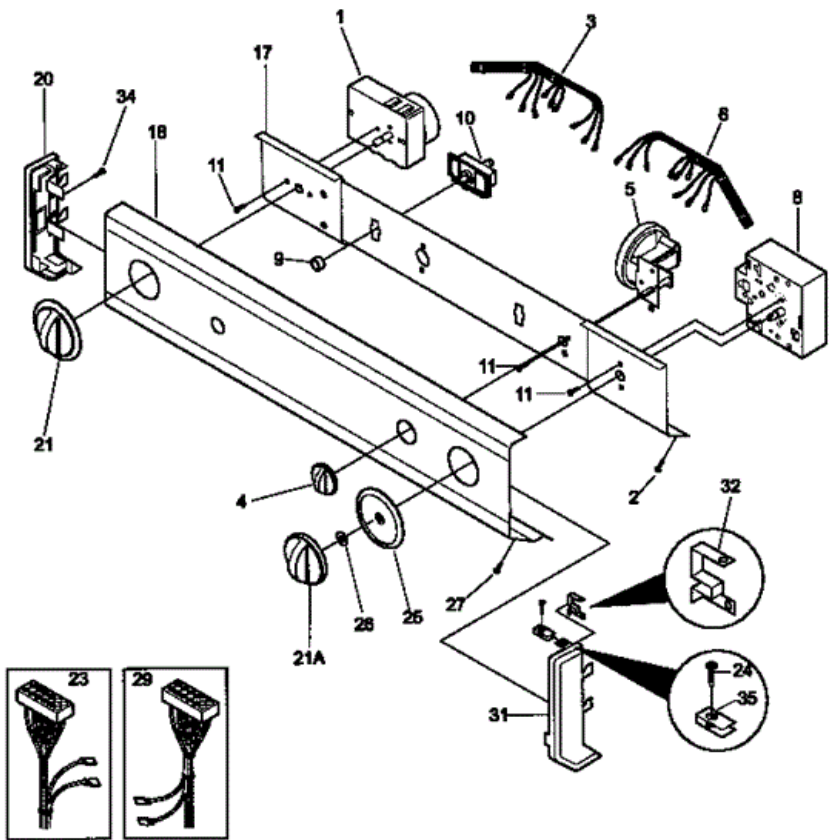


WLXG42REW0 MOTOR SEC

**	5303937053	GAS CONVERSION KIT, NATURAL TO LP
1	131295200	SEAL-AIR DUCT
2	131168200	SCREW, 8-18 X 0.31
4	131362400	FASTENER
6	131730500	DUCT-AIR
8	3205245	SCREW-BLOWER HSG, PPH AB ST/Z/CH, 6-18 X .60
9	5303304824	CLAMP
10	131575200	HOUSING-BLOWER, REAR
10	131784500	ASMY,FRT BLW HSG/SEAL
12	131476300	WHEEL-BLOWER
14	131658101	THERMOSTAT-HEATER
15	131322600	THERMOSTAT-CONTROL, 15
16	3204308	SCREW-THERMOSTAT, PPH CUP PT, 8-18 X .625
17	131715500	CLIP-IGNITER
18	131413600	CRADLE & STUD
19	131363901	PAN-MOTOR CRADLE
22	3205241	SPRING-IDLER
23	131827000	ASMY-IDLER & PULLEY
25	5303283287	BELT-DRYER
26	5303212870	BLOCK-SUPPORT
27	131419800	CLAMP-MOTOR
28	131542900	MOTOR & PULLEY
31	131649800	CORD-POWER
33	131731410	SHIELD-ACCESS
34	131301100	SCREW-GRND CAB,HEX WSHR HD,10-32T
38	3204320	ELBOW-EXHAUST
39	131205100	SCREW,8 PAN HEAD ,10-10B X 0.50 ,CR/SQ DRIVE
42	3204324	BRACKET-MARRIAGE
43	131751500	SCREW 12-24 X .63 HEX HD
44	3204326	BRACKET-EXTERNAL
48	131731300	PAN-BOTTOM
50	3204329	COVER-SAFETY
61	5303207404	BRACKET-GAS VALVE

62	131243700	SCREW,PAN HEAD ,8-18AB X 0.375 ,39 ,CR/SQ DRIVE
64	5303207405	PIPE
67	131498500	VALVE-SHUT OFF
68	5362791200	UNION-MALE CONNECTOR, BRASS
69	8015194	NUT-UNION, HEX
70	5303207409	VALVE GAS
71	5300622602	COIL-SECONDARY
72	5308015680	COIL-BOOSTER
73	5303211036	ORIFICE-NATURAL GAS
74	5303281151	IGNITOR ASSY
77	131763500	ASMY-BURNER
79	5303281135	SENSOR
80	131712401	TUBE-BURNER
85	131712300	SHIELD-HEAT

WLXG42REW0 TABLERO





WLXG42REW0 TABLERO

**	131209800	CLAMP-SW. PRESSURE
**	131827800	BEZEL-W/WEST-BLK/WHT PRINT
**	5303161300	STRAP
1	131225400	TIMER
2	131168200	SCREW, 8-18 X 0.31
3	131323300	HARNESS-DRYER CONT.
4	5303210338	KNOB-ROTARY
5	131692000	SWITCH-PRESSURE
6	131694400	HARNESS-WASHER CONTROL
8	131437300	TIMER-WASHER
9	131111500	KNOB-START SWITCH, BLACK
10	131628900	SWITCH-PUSH START
11	5303283289	SCREW, CR PAN HEAD, 8-32 X 0.25,
17	131712602	BRACKET-CONTROL
18	131709800	PANEL-CONTROL
20	131288100	END CAP-LH
21	5303210340	KNOB-DRYER TIMER
21	5303210341	KNOB-WASHER TIMER
23	131848700	HARNESS-LCD MAIN GAS
24	131209600	SCREW, FLAT HEAD, 8-18AB X 0.44, CR/SQ DRIVE
25	5303209901	DIAL-TIMER
26	3205248	SPACER-TIMER-SHAFT
27	3205253	SCREW-END CAP, PPH B, 6-20 X .375
29	131778700	HARN-LWR WSHR L/C G.E.,29
31	131288210	END CAP-RH
32	3204357	CLIP-GROUNDING
34	131243700	SCREW,PAN HEAD ,8-18AB X 0.375 ,39 ,CR/SQ DRIVE
35	5308014350	CLIP-END CAP



WLXG42REW0 GABINETE

**	131453000	BUSHING-DRAIN HOSE
**	5303309503	CLIP-BACKSHEET
1	131587500	SCREW-HINGE, PPH 45 DEG HDRPT, 6-32 X .312
2	131168200	SCREW, 8-18 X 0.31
3	3204369	BUMPER-LID
4	3205250	HINGE BAR
5	3204362	GROMMET-HINGE
6	5303212872	LID-WHITE
9	131390000	STRIKE-LID
11	3204368	SCREW-STRIKE, PFH B, 6-20 X .375
20	3204374	PIN-SLIDE
33	131389300	VALVE-WATER
34	131205500	SCREW-BODY, 1/4-14 X 0.625
35	5308002385	RING-SNUBBER
36	3204380	BLOCK-SHIPPING
37	131658900	SCREW-SHIPPING
38	5303311213	BASE ASSEMBLY
41	131258400	SCREW-FRONT PNL, COMB TH AB ,10-16 X 0.500
42	131104303	PANEL - FRONT - WHITE
43	131422100	PAD-LEVELING LEG
43	131422200	PAD-LEVEL LEG
44	5303309673	LEG-LEVELING, WITH PAD
45	131346400	PIN, LOCATING
45	131346401	PIN-LOCATING
46	131593500	BODY-WHITE
47	131091001	BRACKET-MARRIAGE-LH
47	131106701	BRACKET-MARRIAGE-RH
50	131675600	LOCK-LID
53	131452510	PANEL-TOP WHITE
54	3204394	DISPENSER-BLEACH
55	5303212876	SPRING-LID
56	131243800	SCREW-BRKT TOP, PAN HD LOCKING ,8-32CA

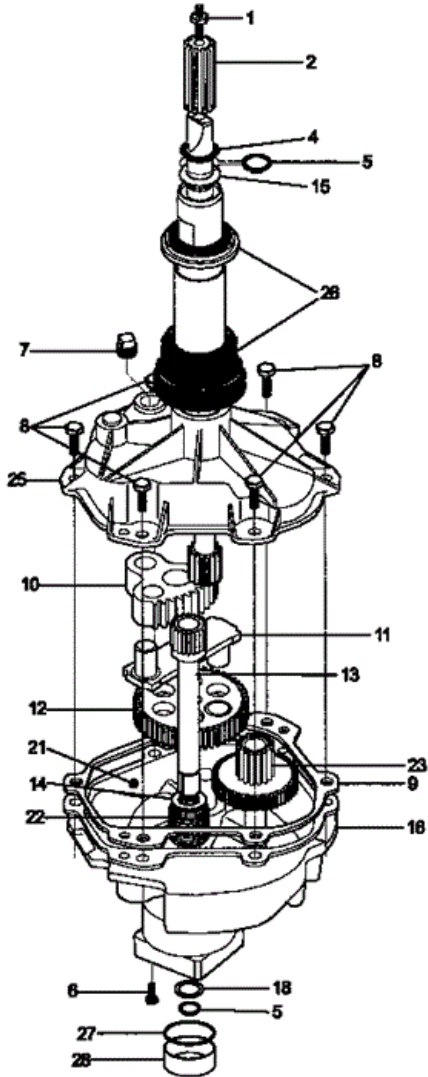
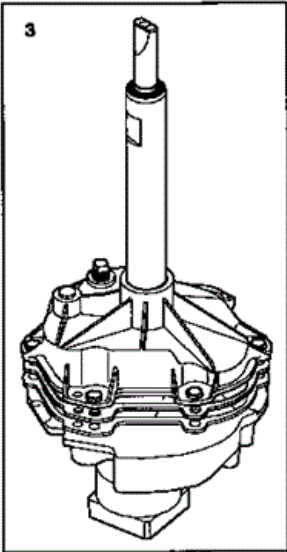


WLXG42REW0 TINAS

**	5303212877	INSERT-SPRING ADJ
1	3204395	CAP-AGITATOR
2	3204396	SEAL CAP
3	131398301	COVER-SPLASH TUB
4	131212301	CAPACITOR
6	5303271009	HOSE-INLET
7	5303161296	WASHER-INLET HOSE
9	5303304824	CLAMP
10	131726300	HOSE AND NOZZLE
11	5304405894	ASMY-AGITATOR-STANDARD-SLIM
12	131090400	TUB-SPIN, AND TRUNNION
13	5303283293	SCREW-TRUNNION,UNC2AX.625`.312-18 ,(5)
14	131192800	SCREW-LOCKPLATE, HX, .312-18 X .1.625
15	5308001923	LOCKPLATE
16	131545101	TRUNNION
17	131076600	FILTER-LINT
18	131557201	TUB-SPLASH, W/AIR DOME, BRNG
20	3205150	SCREW-TUB BEARING, PPH B ST/Z, 8-12 X 0.750
21	5308002401	WASHER, SPIN BEARING, UPPER
22	131373610	LEG & DOME ASSY
23	5303208858	SPRING-VERTICAL (SHORT)
23	5303208860	SPRING-VERTICAL
24	131373900	SPRING-HORIZONTAL
26	3204405	BEARING-OUTER TUB
27	5303304825	SCREW-SET, HHD CUP PT, 5/16-18 X .85,
28	131686100	BELT-WASHER
29	131498300	PULLEY-TRANSMISSION
30	131825500	ASMY-IDLER ARM
31	3204423	PULLEY-MOTOR
32	3204424	PIN-ROLL
33	3204425	SPRING TORSION
34	3204426	SLEEVE-IDLER
35	3161433	RING-RETAINING

36	5303261031	WASHER-PIVOT SHAFT
37	5303161306	WASHER-SPRING
38	5303318708	NUT-MOTOR
39	131205100	SCREW,8 PAN HEAD ,10-10B X 0.50 ,CR/SQ DRIVE
40	131562200	MOTOR-MAIN, 1 SPD 1/2 HP
41	131583000	SHIELD-MOTOR
43	131724000	ASMY-PUMP
45A	131462500	CLIP-DRAIN HOSE
45B	131506500	CLIP-DRAIN HOSE
45C	131461200	HOSE-DRAIN,90 INCH
47	5303294768	CLAMP-HOSE TO TUB
48	131306234	CLAMP-PUMP
49	131494800	HOSE-PUMP TO TUB
51	131659000	SCREW-LEG, HWH TYP 23, 5/16-18 X .875
52	131315800	WASHER-LEG, IDX.040, 1.25 ODX.335
53	5304401845	TUBE-PRESSURE
58	131464900	SCREW-PUMP-TO BRACKET
59	5303283052	CLIP-SHIELD
62	131258400	SCREW-FRONT PNL,COMB TH AB ,10-16 X 0.500
68	131707800	RING-DRAIN HOSE
69	131731500	FASTENER-RATCHET

WLXG42REW0 TRANSMISION





WLXG42REW0 TRANSMISION

**	131381400	LABEL-CAUTION
**	131661200	LABEL-WARNING
1	131206800	STUD-AGITATOR CAP
2	5303306139	HUB-DRIVE, AGITATOR
3	5308057580	TRANSMISSION-COMPLETE
4	5303161307	SEAL-UPPER, LIP
5	5303161223	RING-RETAINING
6	131346600	SCREW
7	5303161224	PLUG-PIPE
8	5308002804	SCREW-TRANSM.
9	5308015778	GASKET
10	5308011268	GEAR-SECTOR
11	131632701	ROD-CONNECTING
12	5308015496	GEAR-CRANK
13	5308014905	SHAFT-LOWER
14	5303161226	WASHER-THRUST
15	5303161232	WASHER
16	131557800	HOUSING-LOWER
18	5308002475	WASHER-SPACER
21	3005242	OIL-TRANSMISSION (1 QT)
22	131417600	SPRING-SMALL L.G.S.
23	5303161175	GEAR-IDLER
25	131586600	HOUSING-UPPER W/SHAFT
26	5303279394	SEAL-TUB
27	131784300	WASHER-TRANS-BRG BLOCK-KOYO
28	131784400	SPACER-TRANS BRG BLOCK-KOYO