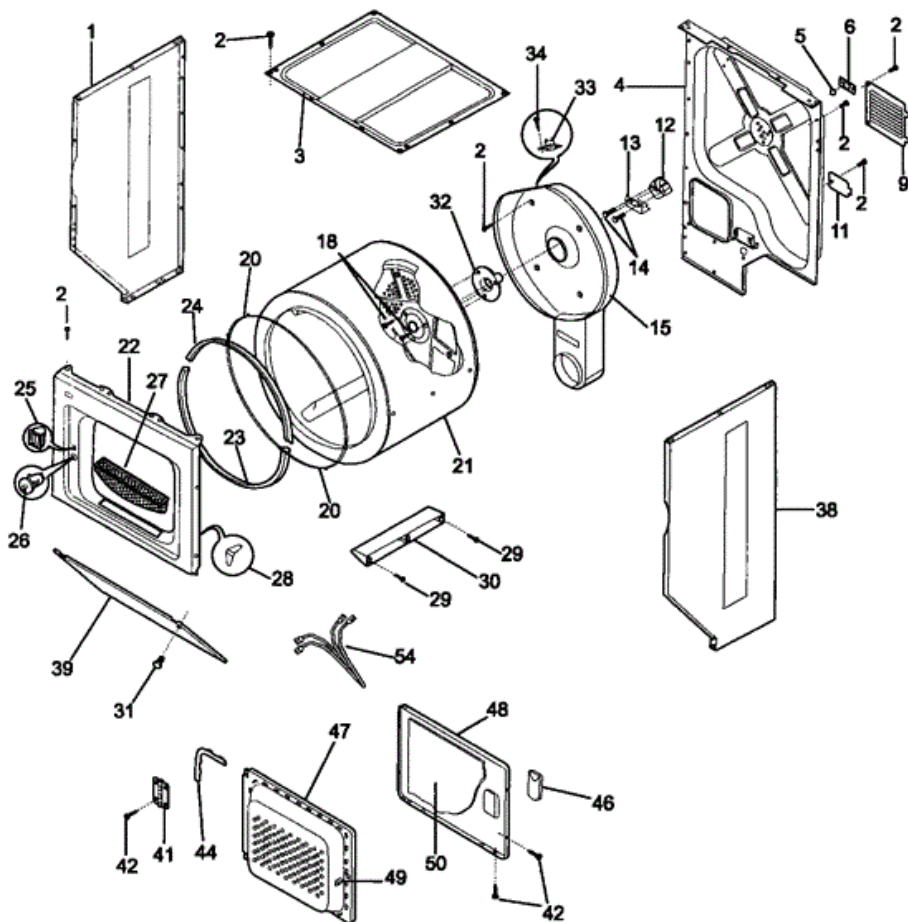


Distribuidor Autorizado

SurteRápido.com

Venta de Refacciones
Electrodomesticas

WLXG42REW2 TAMBOR





WLXG42REW2 TAMBOR

| | | |
|----|------------|---|
| 1 | 131084700 | PANEL-LEFT SIDE-WHITE |
| 2 | 131168200 | SCREW,8-18 X 0.31 ,12 |
| 3 | 131883301 | PANEL-TOP WASHED |
| 4 | 131752302 | PANEL-REAR |
| 5 | 5303281019 | BALL |
| 6 | 5303281020 | CLIP-BALL |
| 9 | 3204249 | PANEL-ACCESS,DRYER |
| 11 | 5303207395 | COVER-TERM BLOCK |
| 12 | 131825900 | BEARING-DRUM SUPPORT |
| 13 | 131724300 | BRACKET-BEARING |
| 14 | 131205400 | SCREW-BRACKET, 10-16B X 1.375, CR/SQ DRIVE |
| 15 | 5303207394 | HOUSING-HEAT & DUCT |
| 18 | 131477000 | SCREW-SHAFT & BAFFLE, COMB PH AB SPCL, |
| 20 | 134036400 | FELT-UPPER |
| 21 | 134122532 | ASMY-DRUM GALVANIZED,21 |
| 22 | 134031600 | PANEL-FRONT |
| 23 | 134134700 | LOWER FELT |
| 24 | 131963900 | GLIDE-DRUM |
| 25 | 131658800 | CATCH-DOOR |
| 27 | 131359600 | TRAP-LINT |
| 28 | 5303281074 | CLIP-GUIDE,(3) |
| 29 | 131382300 | SCREW-VANE, QUADREX HEAD, 10-14 X 1.00, SPECIAL |
| 30 | 5303201200 | VANE |
| 31 | 131202300 | SCREW-, PPH AB, 10-16 X 0.625 |
| 32 | 131777700 | ASMY-SHAFT (BALLHITCH) |
| 33 | 5304406099 | THERMOSTAT-SAFETY |
| 34 | 131243700 | SCREW,PAN HEAD ,8-18AB X 0.375 ,39 ,CR/SQ DRIVE |
| 38 | 131084800 | PANEL-RIGHT SIDE-WHITE |
| 39 | 131084402 | PANEL-ACCESS-WHITE |
| 41 | 131627500 | HINGE-DOOR |
| 42 | 131209600 | SCREW, FLAT HEAD, 8-18AB X 0.44, CR/SQ DRIVE |
| 44 | 131129900 | GASKET-DOOR |
| 46 | 131789400 | HANDLE-DOOR, WHITE |

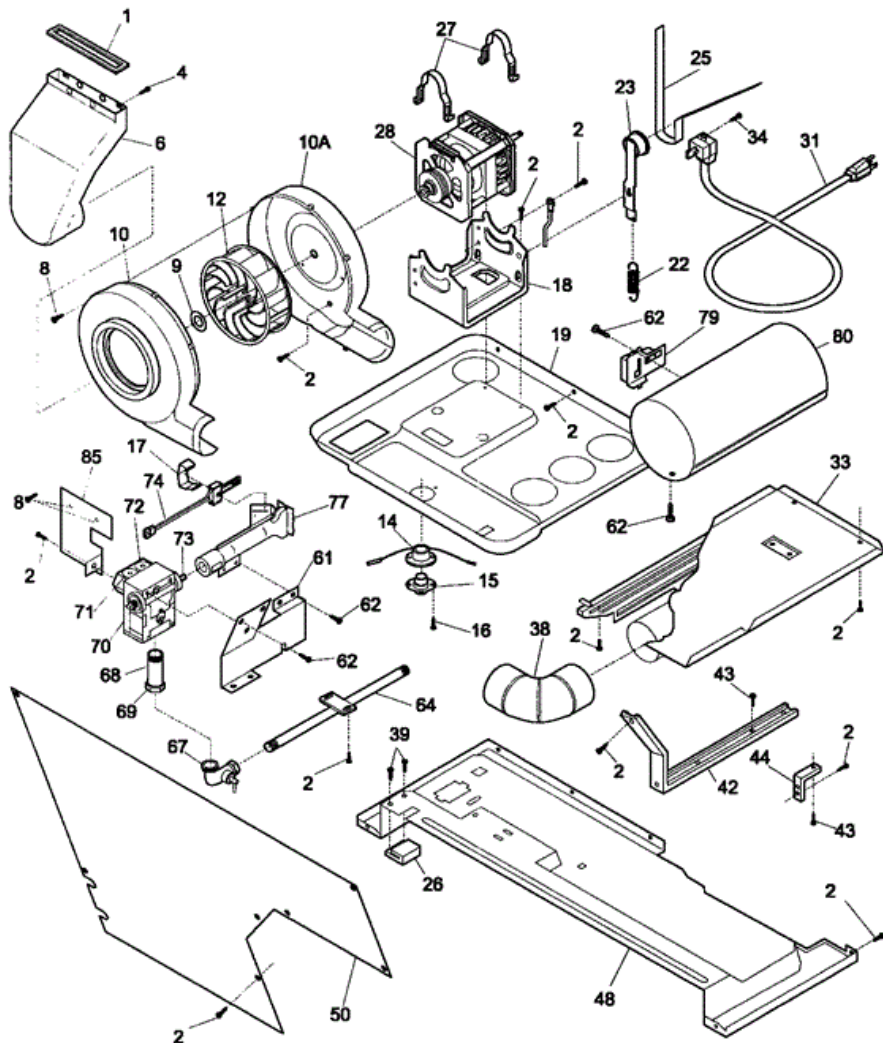
| | | |
|-----|------------|---------------------|
| 47 | 131579103 | DOOR-INNER, WHITE |
| 48 | 131789303 | DOOR-OUTER, WHITE |
| 49 | 5303211430 | STRIKE DOOR |
| 50 | 3204286 | SHIELD-HEAT |
| F26 | 5308001614 | SWITCH-DOOR |
| F54 | 131498900 | HARNESS-DOOR SWITCH |
| NI | 131870700 | PLUG-LIGHT HOLE |

Distribuidor Autorizado

SurteRápido.com

Venta de Refacciones
Electrodomesticas

WLXG42REW2 BASE



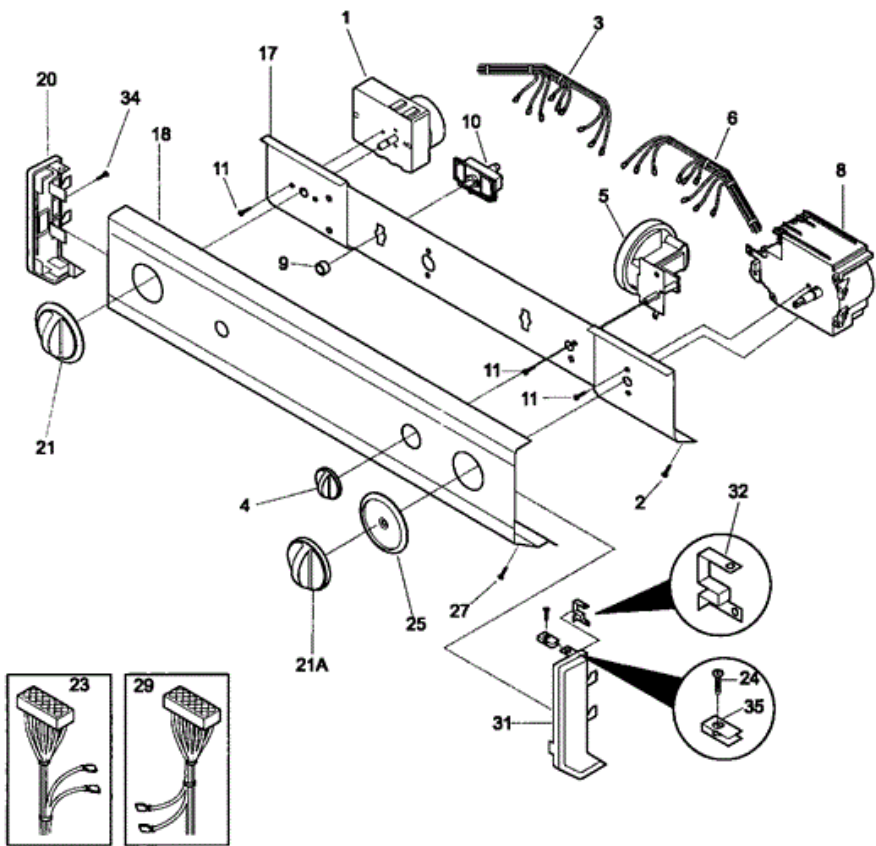


WLXG42REW2 BASE

| | | |
|-----|------------|---|
| 1 | 131295200 | SEAL-AIR DUCT |
| 10A | 131575200 | HOUSING-BLOWER, REAR |
| 2 | 131168200 | SCREW,8-18 X 0.31 ,12 |
| 4 | 131362400 | FASTENER |
| 6 | 131730500 | DUCT-AIR |
| 8 | 3205245 | SCREW,PPH AB ST/Z/CH ,6-18X.60 |
| 9 | 5303304824 | CLAMP |
| 10 | 131784500 | ASMY,FRT BLW HSG/SEAL |
| 12 | 131476300 | WHEEL-BLOWER |
| 14 | 131658101 | THERMOSTAT-HEATER |
| 16 | 3204308 | SCREW-THERMOSTAT, PPH CUP PT, 8-18 X .625 |
| 17 | 131715500 | CLIP-IGNITER |
| 18 | 131413600 | CRADLE & STUD |
| 19 | 131363901 | PAN-MOTOR CRADLE |
| 22 | 3205241 | SPRING-IDLER |
| 23 | 131863100 | IDLER & PULLEY ASSY |
| 26 | 5303212870 | BLOCK-SUPPORT |
| 27 | 131419800 | CLAMP-MOTOR |
| 31 | 134099900 | SERVICE CORD GAS L/C (NOM) |
| 33 | 131731410 | SHIELD-ACCESS |
| 34 | 131301100 | SCREW-GROUND CAB,HEX WASHER HEAD |
| 38 | 3204320 | ELBOW-EXHAUST |
| 39 | 131205100 | SCREW,NO.8 PAN HEAD ,10-10B X 0.50 ,CR/SQ DRIVE |
| 42 | 3204324 | BRACKET-MARRIAGE |
| 43 | 131751500 | SCREW NO.12-24 X .63 HEX HD |
| 44 | 3204326 | BRACKET-EXTERNAL |
| 48 | 131731300 | PAN-BOTTOM |
| 50 | 3204329 | COVER-SAFETY |
| 61 | 5303207404 | BRACKET-GAS VALVE |
| 62 | 131243700 | SCREW,PAN HEAD ,8-18AB X 0.375 ,39 ,CR/SQ DRIVE |
| 64 | 134145200 | PIPE |
| 67 | 131498500 | VALVE-SHUT OFF |
| 68 | 5362791200 | TAIL PIECE,BRASS |

| | | |
|-----|------------|---------------------------------|
| 69 | 8015194 | NUT-UNION, HEX |
| 70 | 5303207409 | VALVE GAS |
| 71 | 5300622602 | COIL-SECONDARY |
| 72 | 5308015680 | COIL-BOOSTER |
| 73 | 5303211036 | ORIFICE-NATURAL GAS |
| 77 | 131763500 | ASSY-BURNER |
| 79 | 5303281135 | SENSOR |
| 85 | 131712300 | SHIELD-HEAT |
| F15 | 131322600 | THERMOSTAT-CONTROL,15 NO. |
| F25 | 5303283287 | BELT-DRYER |
| F28 | 134113700 | MOTOR & PULLEY |
| F74 | 5303281151 | IGNITOR ASSY |
| F80 | 131712401 | TUBE-BURNER |
| NI | 5303937053 | LP CONVERSION KIT,NATURAL TO LP |

WLXG42REW2 TABLERO





WLXG42REW2 TABLERO

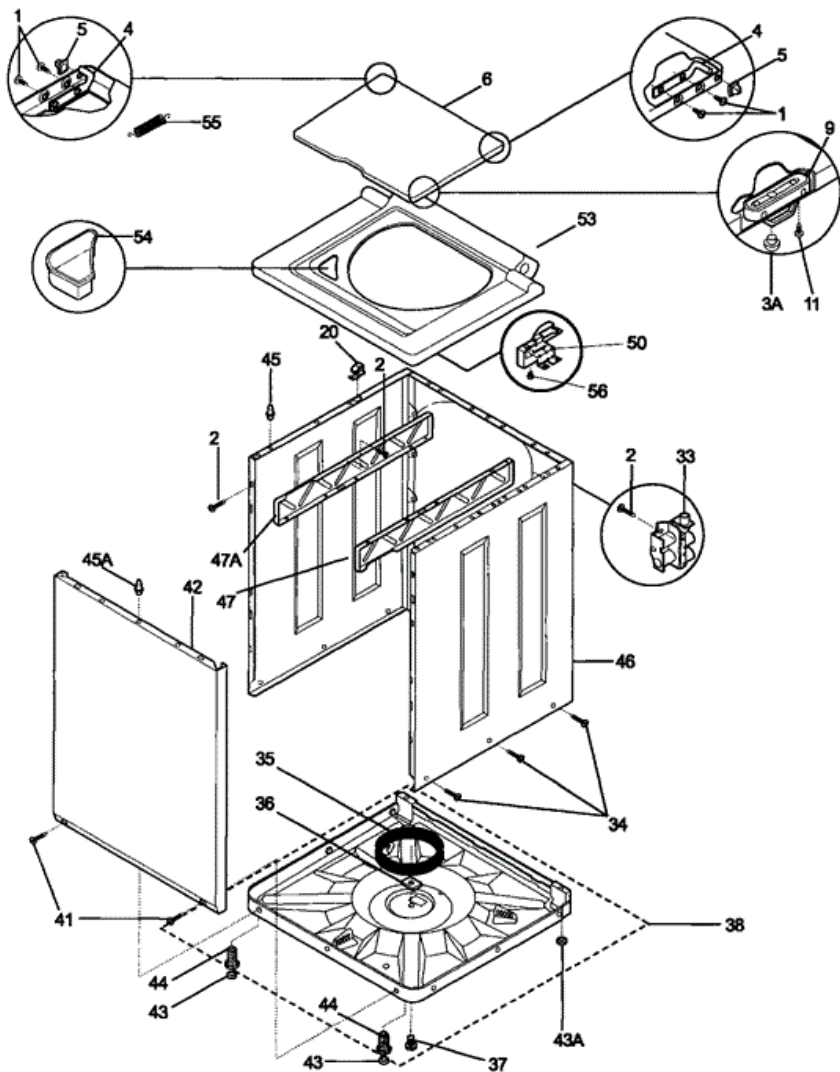
| | | |
|-----|------------|---|
| 1 | 131225400 | TIMER |
| 2 | 131168200 | SCREW,8-18 X 0.31 ,12 |
| 21A | 131977000 | KNOB-BLK-LC WSH TIMER M2 |
| 3 | 131323300 | HARNESS-DRYER CONT. |
| 4 | 131858000 | KNOB-ROTARY BLACK/WHITE M2 |
| 6 | 134121100 | LCW CONTROL HARN W/O TEMP SW |
| 8 | 131964100 | TIMER ELEC H MALLORY-DELTA |
| 9 | 131111500 | KNOB-START SWITCH, BLACK |
| 11 | 5303283289 | SCREW,CR PAN HEAD `8-32 X 0.250 , |
| 17 | 131983410 | BRACKET-CONTROL MTG |
| 18 | 131709800 | PANEL-CONTROL |
| 20 | 131288100 | END CAP-LH |
| 21 | 131859100 | ASMY-TIMER KNB/IND BLK/WHT M2 |
| 24 | 131209600 | SCREW, FLAT HEAD, 8-18AB X 0.44, CR/SQ DRIVE |
| 25 | 131976701 | POINTER-BLK/WHT IND-LC WSHR M2 |
| 27 | 3205253 | SCREW-END CAP, PPH B, 6-20 X .375 |
| 31 | 131288210 | END CAP-RH |
| 32 | 3204357 | CLIP-GROUNDING |
| 34 | 131243700 | SCREW,PAN HEAD ,8-18AB X 0.375 ,39 ,CR/SQ DRIVE |
| 35 | 5308014350 | CLIP-END CAP |
| F10 | 131628900 | SWITCH-PUSH START |
| F23 | 131848700 | HARNESS-LCD MAIN GAS |
| F29 | 134113400 | HARN-LWR WSHR L/C EMERSON 2SPD |
| F5 | 131692000 | SWITCH-PRESSURE |
| NI | 131209800 | CLAMP-SW. PRESSURE |
| NI | 131827800 | BEZEL-W/WEST-BLK/WHT PRINT |
| NI | 5303161300 | STRAP |

Distribuidor Autorizado

SurteRápido.com

Venta de Refacciones
Electrodomesticas

WLXG42REW2 GABINETE





WLXG42REW2 GABINETE

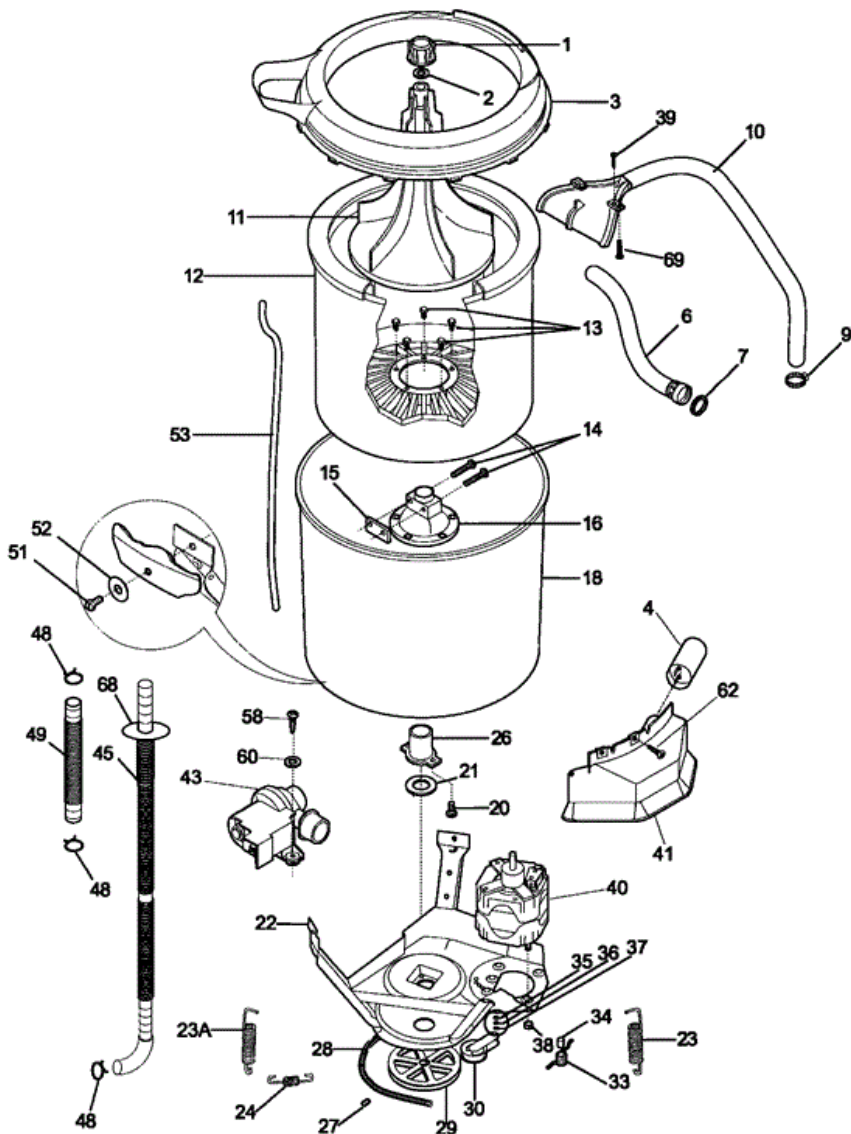
| | | |
|-----|------------|---|
| 1 | 131587500 | SCREW-HINGE,PPH 45DEG HDRPT ,6-32 X 0.3125 |
| 2 | 131168200 | SCREW,8-18 X 0.31 ,12 |
| 4 | 3205250 | HINGE BAR |
| 5 | 3204362 | GROMMET-HINGE |
| 6 | 5303212872 | LID-WHITE |
| 9 | 131390000 | STRIKE-LID |
| 11 | 3204368 | SCREW-STRIKE, PFH B, 6-20 X .375 |
| 20 | 3204374 | PIN-SLIDE |
| 34 | 131205500 | SCREW-BODY, 1/4-14 X 0.625 |
| 35 | 5308002385 | RING-SNUBBER |
| 36 | 3204380 | BLOCK-SHIPPING |
| 37 | 131658900 | SCREW-SHIPPING |
| 38 | 5303311213 | BASE ASSEMBLY |
| 3A | 134075500 | BUMPER-LID |
| 41 | 131258400 | SCREW-FRONT PNL,COMB TH AB ,10-16 X 0.500 |
| 42 | 131104303 | PANEL - FRONT - WHITE |
| 43 | 131422100 | PAD-LEVELING LEG |
| 43A | 131422200 | PAD-LEVEL LEG |
| 44 | 5303309673 | LEG-LEVELING, WITH PAD |
| 45 | 131346400 | PIN, LOCATING |
| 45A | 131346401 | PIN-LOCATING |
| 46 | 134046600 | ASMY-CABINET 3 PC-WHITE |
| 47 | 131106701 | BRACKET-MARRIAGE-RH |
| 47A | 131091001 | BRACKET-MARRIAGE-LH |
| 53 | 131452510 | PANEL-TOP WHITE |
| 54 | 3204394 | DISPENSER-BLEACH |
| 55 | 5303212876 | SPRING-LID |
| 56 | 131243700 | SCREW,PAN HEAD ,8-18AB X 0.375 ,39 ,CR/SQ DRIVE |
| F33 | 131389300 | VALVE-WATER |
| F50 | 134101800 | LID LOCK W/EXTERNAL SW |
| NI | 131453000 | BUSHING-DRAIN HOSE |
| NI | 5303212877 | INSERT-SPRING ADJ |
| NI | 5303309503 | CLIP-BACKSHEET |

Distribuidor Autorizado

SurteRápido.com

Venta de Refacciones
Electrodomesticas

WLXG42REW2 TINAS



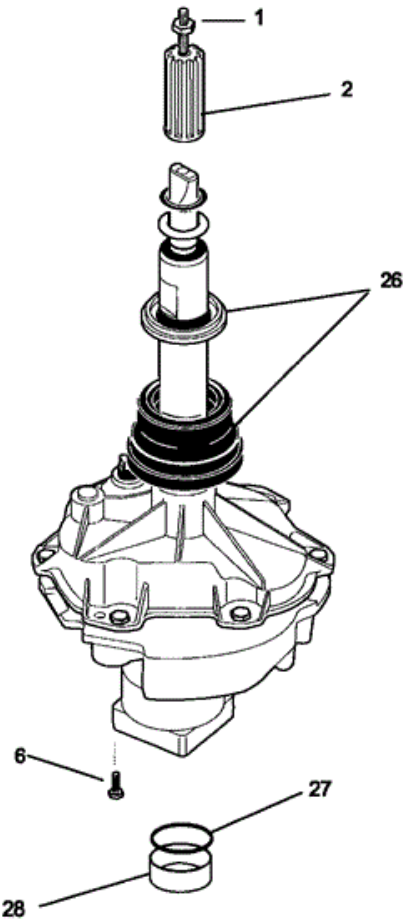
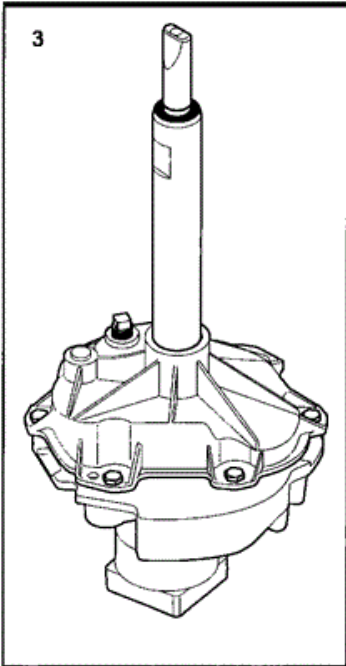


WLXG42REW2 TINAS

| | | |
|-----|------------|---|
| 1 | 3204395 | CAP-AGITATOR |
| 2 | 3204396 | SEAL CAP |
| 3 | 131398303 | ASMY-SPLASH TUB COVER H |
| 6 | N6561384 | HOSE-INLET |
| 7 | 5303161296 | WASHER-INLET HOSE |
| 9 | 5303304824 | CLAMP |
| 10 | 131726300 | HOSE,NOZZLE, & CLAMP |
| 11 | 5304405894 | ASSY-AGITATOR-STANDARD-SLIM |
| 12 | 131090400 | TUB-SPIN, AND TRUNNION |
| 13 | 5303283293 | SCREW-TRUNNION,UNC2AX.625 \.312-18 ,(5) |
| 14 | 131192800 | SCREW-LOCKPLATE, HX, .312-18 X .1.625 |
| 15 | 5308001923 | LOCKPLATE |
| 16 | 131545101 | TRUNNION |
| 18 | 131557201 | TUB-SPLASH, W/AIR DOME, BRNG |
| 20 | 3205150 | SCREW-TUB BEARING, PPH B ST/Z, 8-12 X 0.750 |
| 21 | 5308002401 | WASHER, SPIN BEARING, UPPER |
| 22 | 131373610 | LEG & DOME ASSY |
| 23 | 5303208858 | SPRING-VERTICAL (SHORT) |
| 23A | 5303208860 | SPRING-VERTICAL |
| 24 | 131373900 | SPRING-HORIZONTAL |
| 26 | 3204405 | BEARING-OUTER TUB |
| 27 | 5303304825 | SCREW-SET, HHD CUP PT, 5/16-18 X .85, |
| 29 | 131498301 | PULLEY-TRANSMISSION DRIVE |
| 30 | 131862900 | ASMY-VAW IDLER ARM |
| 33 | 3204425 | SPRING TORSION |
| 34 | 3204426 | SLEEVE-IDLER |
| 35 | 3161433 | RING-RETAINING |
| 36 | 5303261031 | WASHER-PIVOT SHAFT |
| 37 | 5303161306 | WASHER-SPRING |
| 38 | 5303318708 | NUT-MOTOR |
| 39 | 131205100 | SCREW,NO.8 PAN HEAD ,10-10B X 0.50 ,CR/SQ DRIVE |
| 40 | 131761200 | MTR/PULLEY 1SP 1/2HP EMERSON |
| 41 | 131513300 | SHIELD-MOTOR |

| | | |
|-----|------------|---|
| 45 | 134049200 | HOSE-DRAIN |
| 48 | 131306234 | CLAMP-PUMP |
| 51 | 131659000 | SCREW-LEG, HWH TYP 23, 5/16-18 X .875 |
| 52 | 131315800 | WASHER-LEG, IDX.040, 1.25 ODX.335 |
| 53 | 5304401845 | TUBE-PRESSURE |
| 58 | 131303100 | SCREW,HWHD AB ,10-16X.625 |
| 60 | 131304300 | WASHER .21 X .71 X .06 |
| 62 | 131258400 | SCREW-FRONT PNL,COMB TH AB ,10-16 X 0.500 |
| 68 | 131707800 | RING-DRAIN HOSE |
| 69 | 131731500 | FASTENER-RATCHET |
| F28 | 131686100 | BELT-WASHER |
| F43 | 134051200 | PUMP-DRAIN-ASKOLL |
| F49 | 131494800 | HOSE-PUMP TO TUB |
| NI | 131462500 | CLIP-DRAIN HOSE |
| NI | 131506500 | CLIP-DRAIN HOSE |
| NI | 131663500 | CUSHION |
| NI | 131901400 | SEAL-SPLASH TUB COVER |
| NI | 5303212877 | INSERT-SPRING ADJ |

WLXG42REW2 TRANSMISION





WLXG42REW2 TRANSMISION

| | | |
|----|------------|------------------------------|
| 1 | 131206800 | STUD-AGITATOR CAP |
| 2 | 5303306139 | HUB-DRIVE, AGITATOR |
| 3 | 131878410 | ASMY-TRANS H-HELICAL-PNT HSG |
| 6 | 131346600 | SCREW |
| 26 | 5303279394 | SEAL-TUB |
| 27 | 131784300 | WASHER-TRANS-BRG BLOCK-KOYO |
| 28 | 131784400 | SPACER-TRANS BRG BLOCK-KOYO |