

# Whirlpool

SERVICE

CENTRO DE SOLUCIONES



LO ORIGINAL MARCA DIFERENCIA

**EXPLOSIONADO DE PARTES**

- MICROONDAS -

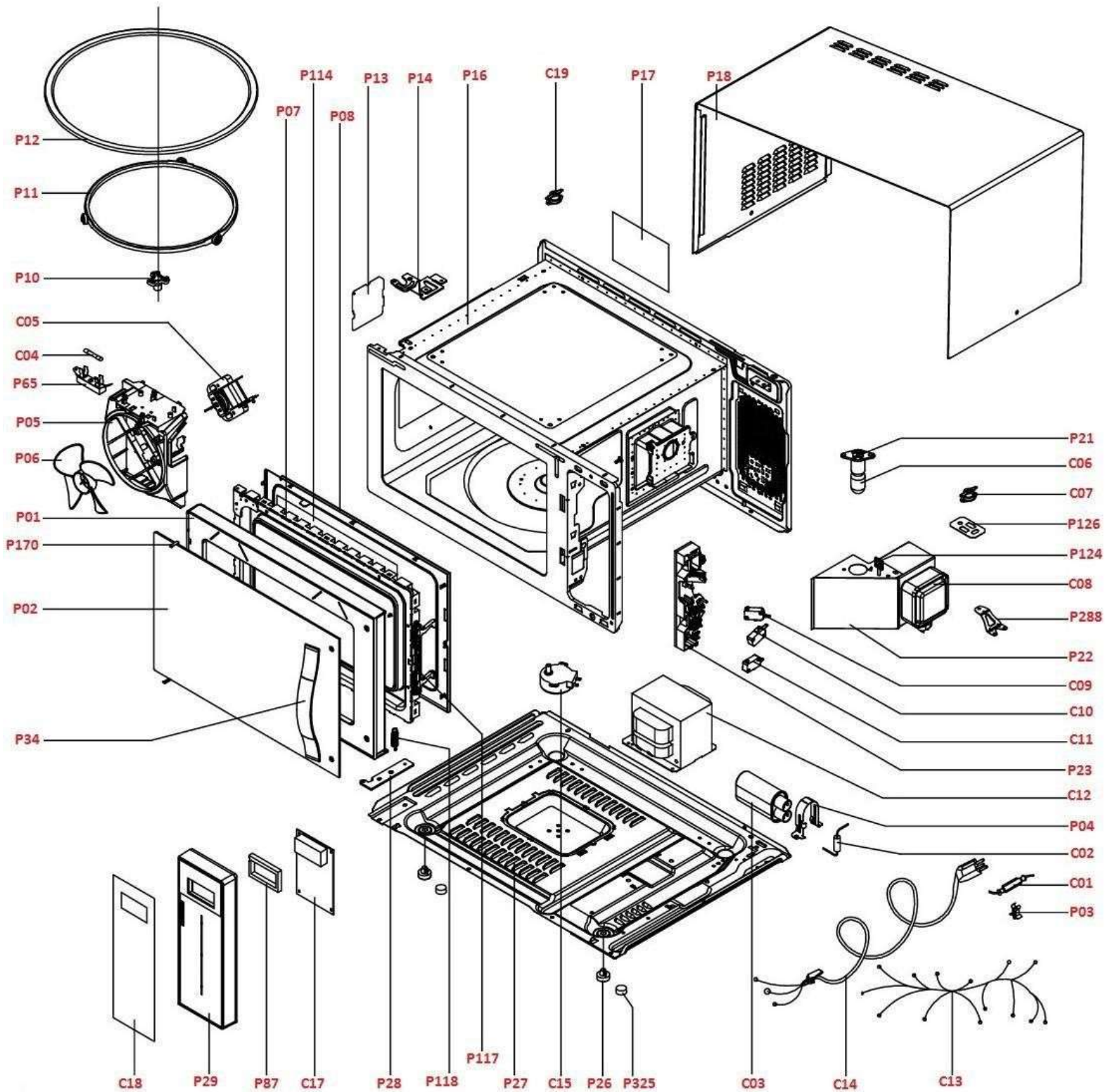
**MODELO | WM3511D**

**acros**

**Whirlpool**  
CORPORATION

**MAYTAG**

**KitchenAid**



Ilus.	DESCRIPTION	Cant.	Part Num.
P01	Door (with inlaid)	1	WM3511D-P01
P02	Door window	1	WM3511D-P02
P03	Fuse socket	1	WM3511D-P03
P04	Capacitor holder	1	WM3511D-P04
P05	Fan bracket	1	WM3511D-P05
P06	Fan blade	1	WM3511D-P06
P07	Door frame	1	WM3511D-P07
P08	Shielding board	1	WM3511D-P08
P10	Connector	1	WM3511D-P10
P11	Roller ring	1	WM3511D-P11
P12	Glass tray	1	WM3511D-P12
P13	Splash board	1	WM3511D-P13
P14	Upper hinge	1	WM3511D-P14
P16	Cavity	1	WM3511D-P16
P17	Label	1	WM3511D-P17
P18	Outer enclosure	1	WM3511D-P18
P21	Lamp socket	-	WM3511D-P21
P22	Air duct	1	WM3511D-P22
P23	Microswitch mounting	1	WM3511D-P23
P26	Foot	2	WM3511D-P26
P27	Base plate	1	WM3511D-P27
P28	Lower hinge	1	WM3511D-P28
P29	Face board	1	WM3511D-P29
P34	Handle	1	WM3511D-P34
P65	Fuse bracket	1	WM3511D-P65
P87	Seal	1	WM3511D-P87
P114	Flake(in door frame)	1	WM3511D-P114
P117	Door hook	1	WM3511D-P117
P118	Door hook spring	1	WM3511D-P118
P124	Clamp holder	1	WM3511D-P124
P126	Mica flake	1	WM3511D-P126
P170	Glass clip	2	WM3511D-P170
P288	Magnetron bracket	1	WM3511D-P288
P325	Defend slip mat	2	WM3511D-P325
C01	H.V.fuse	1	WM3511D-C01
C02	H.v .diode	1	WM3511D-C02
C03	H.v. Capacitor	1	WM3511D-C03
C04	Fuse	1	WM3511D-C04
C05	Fan motor	1	WM3511D-C05
C06	Lamp	1	WM3511D-C06
C07	Thermostat 1	1	WM3511D-C07
C08	Magnetron	1	WM3511D-C08
C09	Microswitch	1	WM3511D-C09
C10	Microswitch	1	WM3511D-C10
C11	Microswitch	1	WM3511D-C11

<b>C12</b> Transformer	1	WM3511D-C12
<b>C13</b> Wiring harness	1	WM3511D-C13
<b>C14</b> Power cord	1	WM3511D-C14
<b>C15</b> Turntable motor	1	WM3511D-C15
<b>C17</b> P.c. Board	1	WM3511D-C17
<b>C18</b> Thin film switch	-	WM3511D-C18
<b>C19</b> Thermostat	1	WM3511D-C19
<b>C20</b> Xpert Toast	1	WM3511D-B10