

Whirlpool

SERVICE

CENTRO DE SOLUCIONES



LO ORIGINAL MARCA DIFERENCIA

EXPLOSIONADO DE PARTES

- MICROONDAS -

MODELO | WM3514D

acros

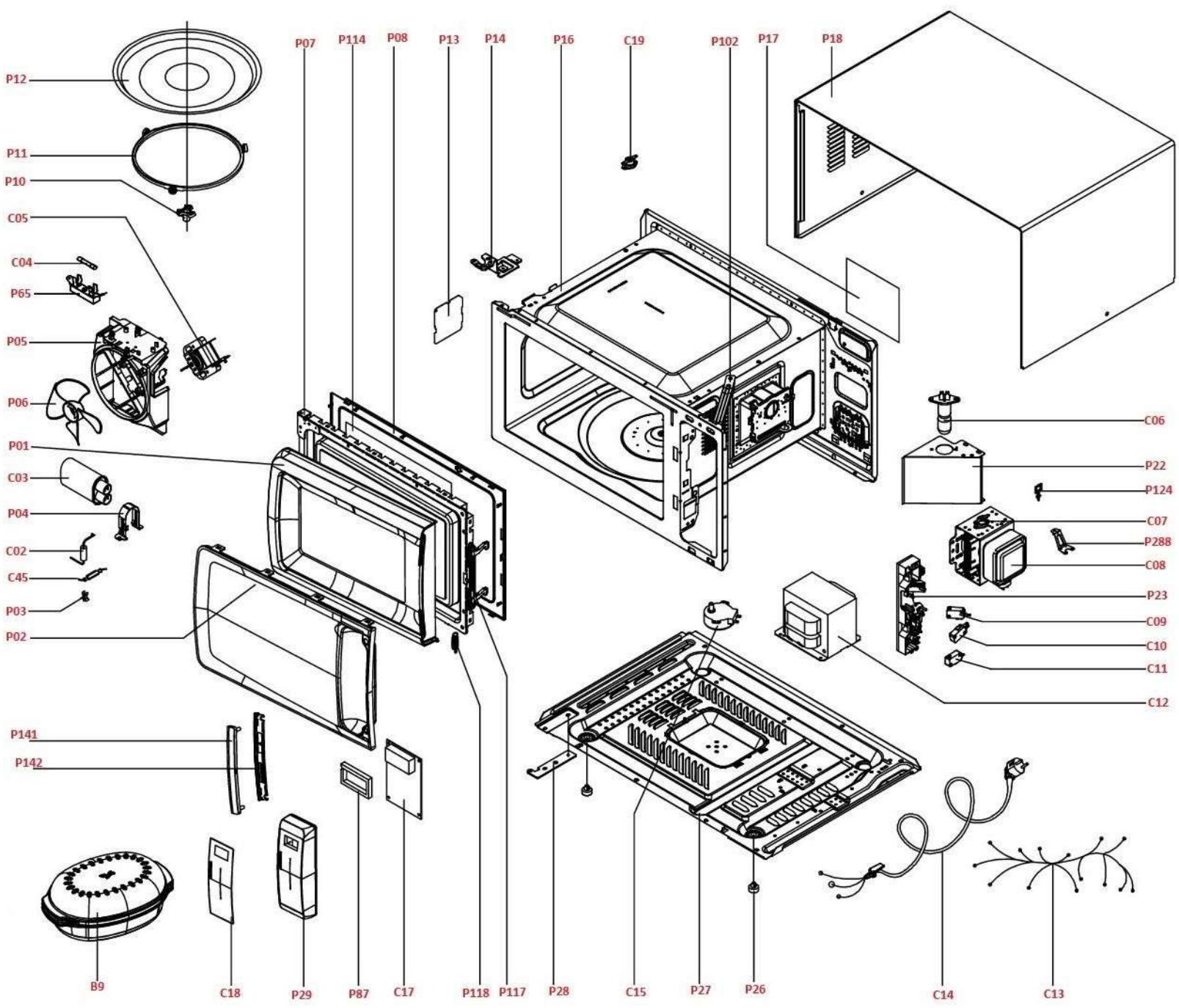
Whirlpool
CORPORATION

MAYTAG

KitchenAid



MICROONDAS WM3514D





MICROONDAS WM3514D

Ilus.	DESCRIPTION	Cant.	Part Num.
P01	Door (with inlaid)	1	WM3514D-P01
P02	Door window	1	WM3514D-P02
P03	Fuse socket	1	WM3514D-P03
P04	Capacitor holder	1	WM3514D-P04
P05	Fan bracket	1	WM3514D-P05
P06	Fan blade	1	WM3514D-P06
P07	Door frame	1	WM3514D-P07
P08	Shielding board	1	WM3514D-P08
P10	Connector	1	WM3514D-P10
P11	Roller ring	1	WM3514D-P11
P12	Glass turntable	1	WM3514D-P12
P13	Splash shield mica sheer	1	WM3514D-P13
P14	Upper hinge	1	WM3514D-P14
P16	Cavity	1	WM3514D-P16
P17	Label	1	WM3514D-P17
P18	Outer enclosure	1	WM3514D-P18
P22	Air duct bracket	1	WM3514D-P22
P23	Switch mount	1	WM3514D-P23
P26	Foot	2	WM3514D-P26
P27	Base plate	1	WM3514D-P27
P28	Lower hinge	1	WM3514D-P28
P29	Face board	1	WM3514D-P29
P65	Fuse bracket	1	WM3514D-P65
P87	Board seal	1	WM3514D-P87
P102	Cavity prop	1	WM3514D-P102
P114	Flake(in door frame)	1	WM3514D-P114
P117	Door hook	1	WM3514D-P117
P118	Door hook spring	1	WM3514D-P118
P124	Clamp holder	1	WM3514D-P124
P141	Handle cover(front)	1	WM3514D-P141
P142	Handle cover(back)	1	WM3514D-P142
P288	Magnetron bracket	1	WM3514D-P288
C02	H.v .diode	1	WM3514D-C02
C03	H.v. Capacitor	1	WM3514D-C03
C04	Fuse	1	WM3514D-C04
C05	Fan motor	1	WM3514D-C05
C06	Lamp and socket	1	WM3514D-C06
C07	Thermostat 1	1	WM3514D-C07
C08	Magnetron	1	WM3514D-C08
C09	Microswitch	1	WM3514D-C09
C10	Microswitch	1	WM3514D-C10
C11	Microswitch	1	WM3514D-C11
C12	Transformer	1	WM3514D-C12
C13	Wiring harness	1	WM3514D-C13
C14	Power cord	1	WM3514D-C14



MICROONDAS WM3514D

C15	Turntable motor	1	WM3514D-C15
C17	P.c. Board	1	WM3514D-C17
C18	Thin film switch	1	WM3514D-C18
C19	Thermostat	1	WM3514D-C19
C45	Fuse assembly	1	WM3514D-C45