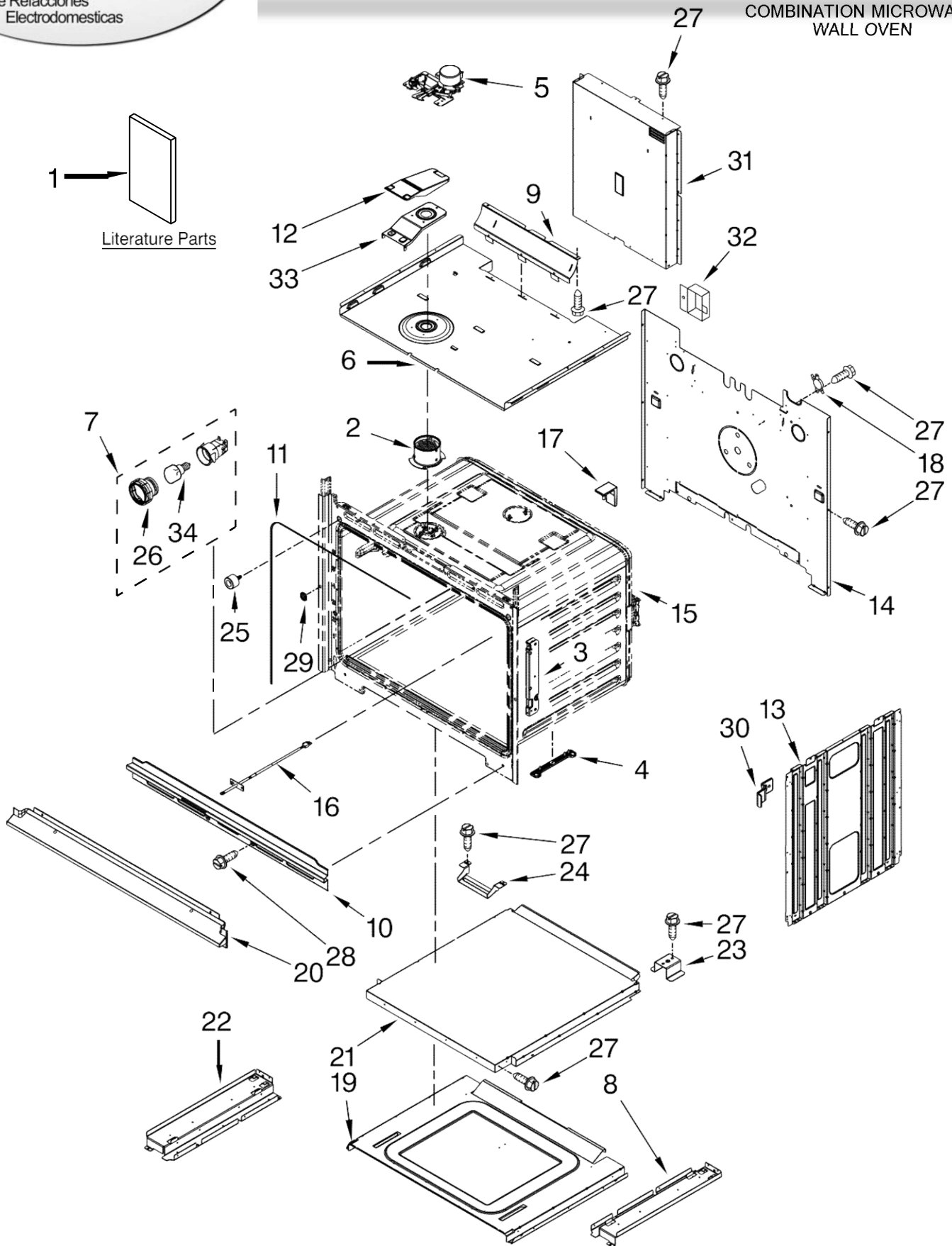


HORNO WOC54EC0AB00

COMBINATION MICROWAVE WALL OVEN



FOR ORDERING INFORMATION REFER TO PARTS PRICE LIST

HORNO WOC54EC0AB00

Illus. No.	Part No.	DESCRIPTION
1		Literature Parts
	W10351241	Installation Instructions
	W10354187	Use & Care Guide
	W10425195	Tech Sheet English
2	W10282946	Tube, Cavity Vent
3	W10282975	Receiver, Hinge
4	W10318220	Spacer, Base
5	W10314880	Latch, Motorized
6	W10282980	Top, Chassis
7	W10260262	Light, Indicator
8	W10283021	Support, Base RH
9	W10351258	Bracket, Blower Deflector
10	W10283042	Vent, Combo Center
11	W10282960	Gasket
12	W10282985	Exhaust, Vent Cover

Illus. No.	Part No.	DESCRIPTION
13	W10318190	Side, Chassis
14	W10282990	Back, Chassis
15		Liner, Oven (Not Serviceable)
16	7430P043-60	Sensor
17	W10392683	Bumper, Rail
18	4449751	Thermostat
19	W10282900	Base, Chassis
20		Assembly, Bottom Vent
	W10327373	Black
	W10351279	Stainless
21	W10283008	Chassis, Bottom Duct
22	W10283020	Support, Base LH
23	W10213759	Support, Air Channel
24	W10351308	Chassis, Bottom Duct Spacer
25	W10351278	Bumper & Screw

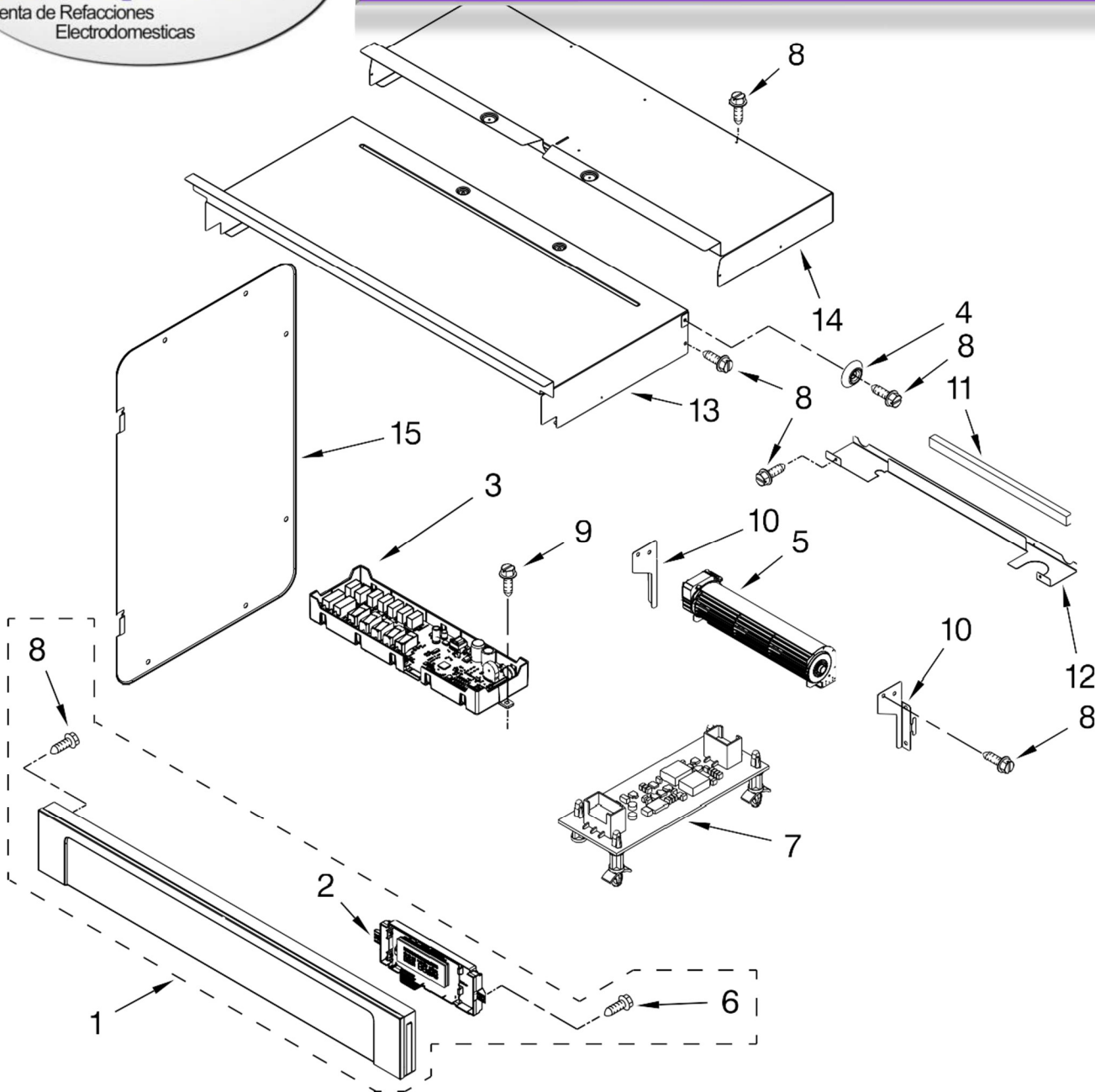
Illus. No.	Part No.	DESCRIPTION
26	W10412722	Lens, Light
27	7101P426-60	Screw
28	4450038	Screw
29	W10283016	Grommet, Front Frame
30	W10347649	Spacers, Front
31	W10283030	Chassis, Back Duct
32	8285593	Cover, Connector
33	W10282984	Base, Exhaust Vent
34	W10412711	Bulb, Light

**FOLLOWING PARTS
NOT ILLUSTRATED**

INSULATION

W10282942 Insulation, Wrap
W10282944 Insulation, Cavity

HORNO WOC54EC0AB00



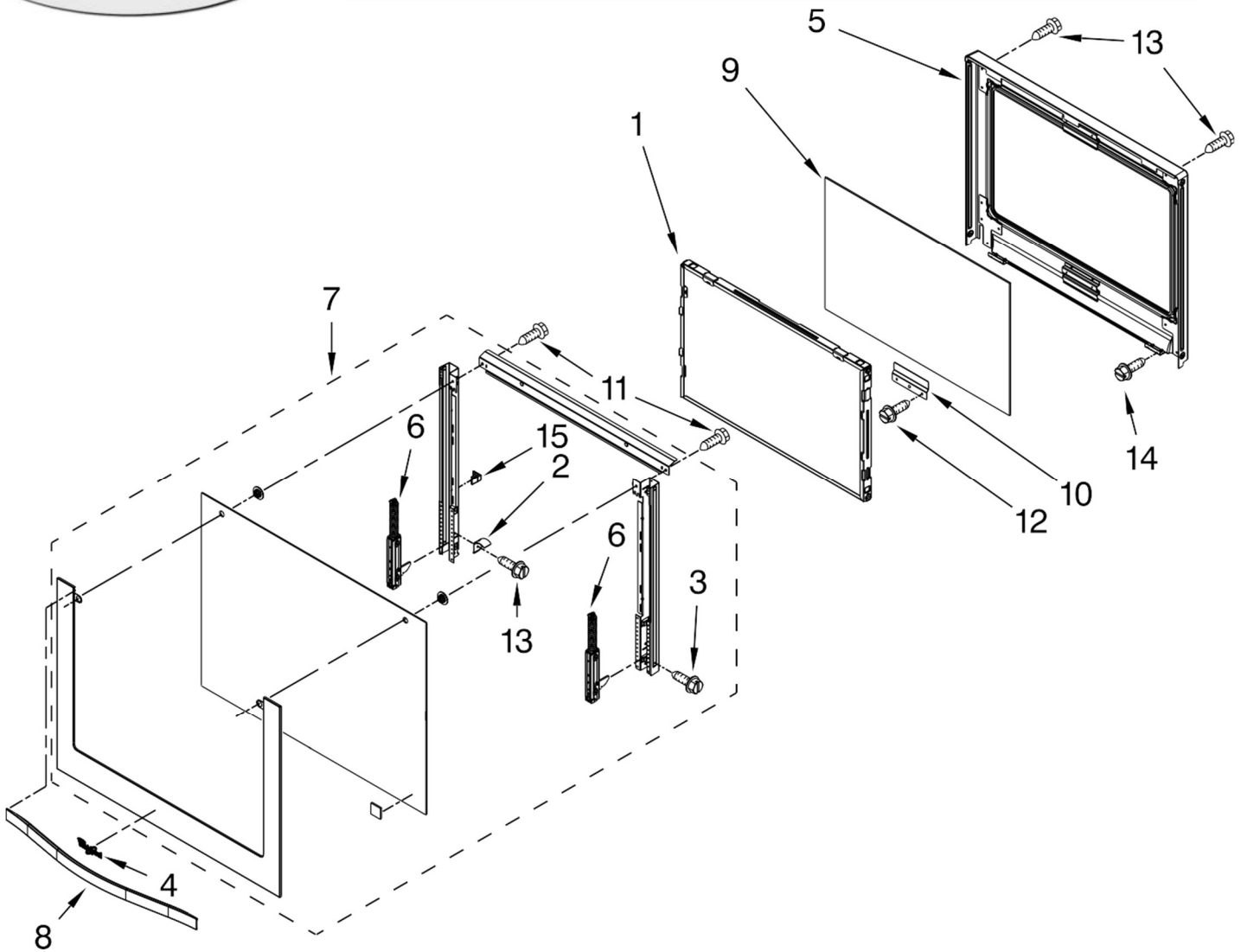
Illus. No.	Part No.	DESCRIPTION
1		Assembly, Control Panel (Includes Overlay)
	W10329415	Black
	W10329416	White
	W10329414	Stainless
2	W10286216	Board, MRC2 Display
3	W10286219	Board, MRC2 Main

Illus. No.	Part No.	DESCRIPTION
4	W10363824	Spacer, Lateral
5	W10286217	Blower
6	7101P403-60	Screw
7	W10412514	Board, Interface Wide
8	7101P426-60	Screw
9	7101P434-60	Screw
10	W10351257	Bracket, Blower Left
	W10283078	Right

Illus. No.	Part No.	DESCRIPTION
11	4451758	Block, Foam
12	W10318191	Chassis, Divider Back
13	W10318158	Chassis, Cover Top Front 30"
14	W10283031	Chassis, Cover Top Back 30"
15	W10283033	Chassis, Side

FOR ORDERING INFORMATION REFER TO PARTS PRICE LIST

HORNO WOC54EC0AB00



Illus. No.	Part No.	DESCRIPTION
------------	----------	-------------

1	W10347596	Assembly, Window Pack
2	W10284285	Spring, Door Glass Fixation
3	3196183	Screw
4		Badge
	W10481433	Black
	W10481434	White

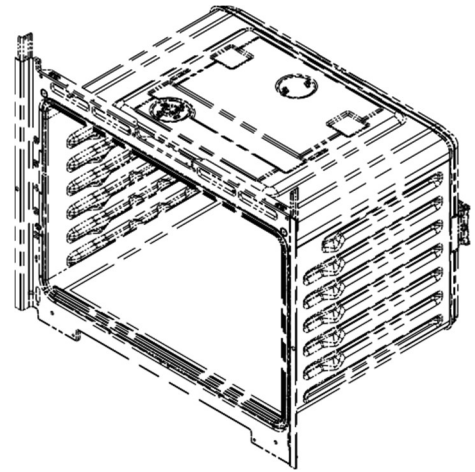
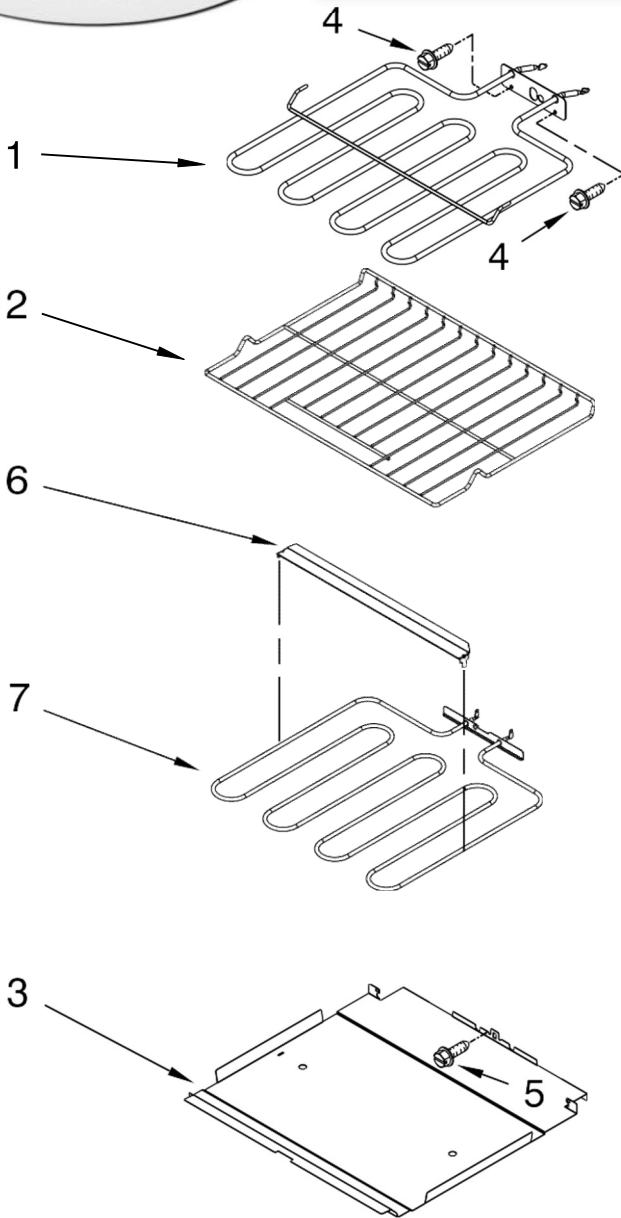
Illus. No.	Part No.	DESCRIPTION
------------	----------	-------------

5	W10320791	Assembly, Liner Welded 30"
6	W10419876	Hinge, Door
7		Assembly, Door Glass
	W10352597	Black
	W10352598	White
	W10329434	Stainless

Illus. No.	Part No.	DESCRIPTION
------------	----------	-------------

8		Door Handle
	W10327379	Black
	W10327380	White
	W10317136	Stainless
9	W10284901	Liner, Inner Glass
10	W10284297	Bracket, Glass
11		488130 Screw
12	7101P426-60	Screw
13	7101P653-60	Screw
14	7101P635-60	Screw
15	W10392683	Bumper, Rail

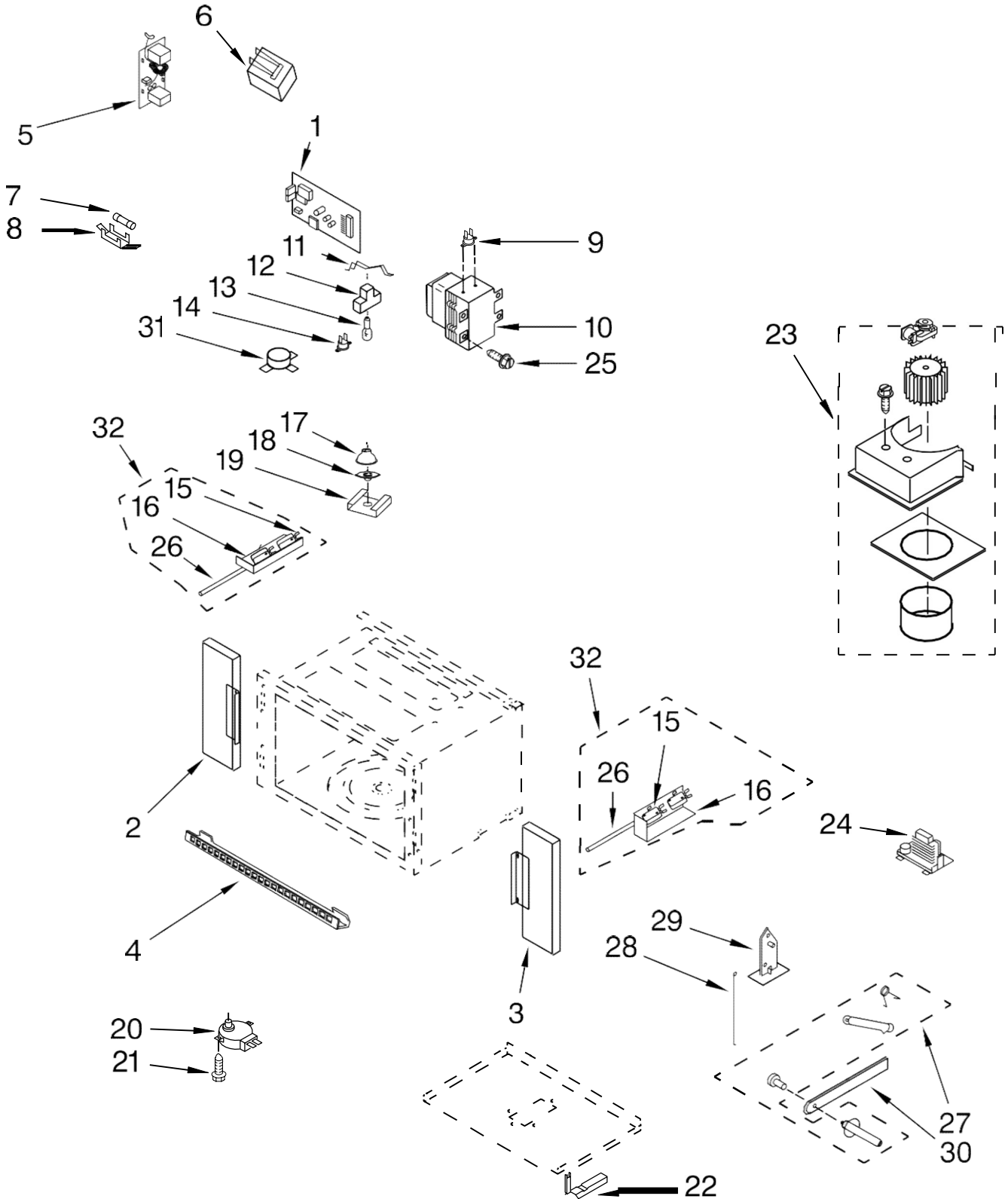
HORNO WOC54EC0AB00



Illus. No.	Part No.	DESCRIPTION
------------	----------	-------------

- | | | |
|---|-------------|----------------------------|
| 1 | W10260252 | Element, Broil |
| 2 | W10317430 | Rack, Oven |
| 3 | W10318198 | Tray, Hidden Bake |
| 4 | 7101P376-60 | Screw |
| 5 | 7101P426-60 | Screw |
| 6 | W10282957 | Tray, Hidden Bake Crossbar |
| 7 | W10282948 | Element, Bake |

HORNO WOC54EC0AB00



Distribuidor Autorizado

SurteRápido.com

Venta de Refacciones
Electrodomesticas



HORNO WOC54EC0AB00

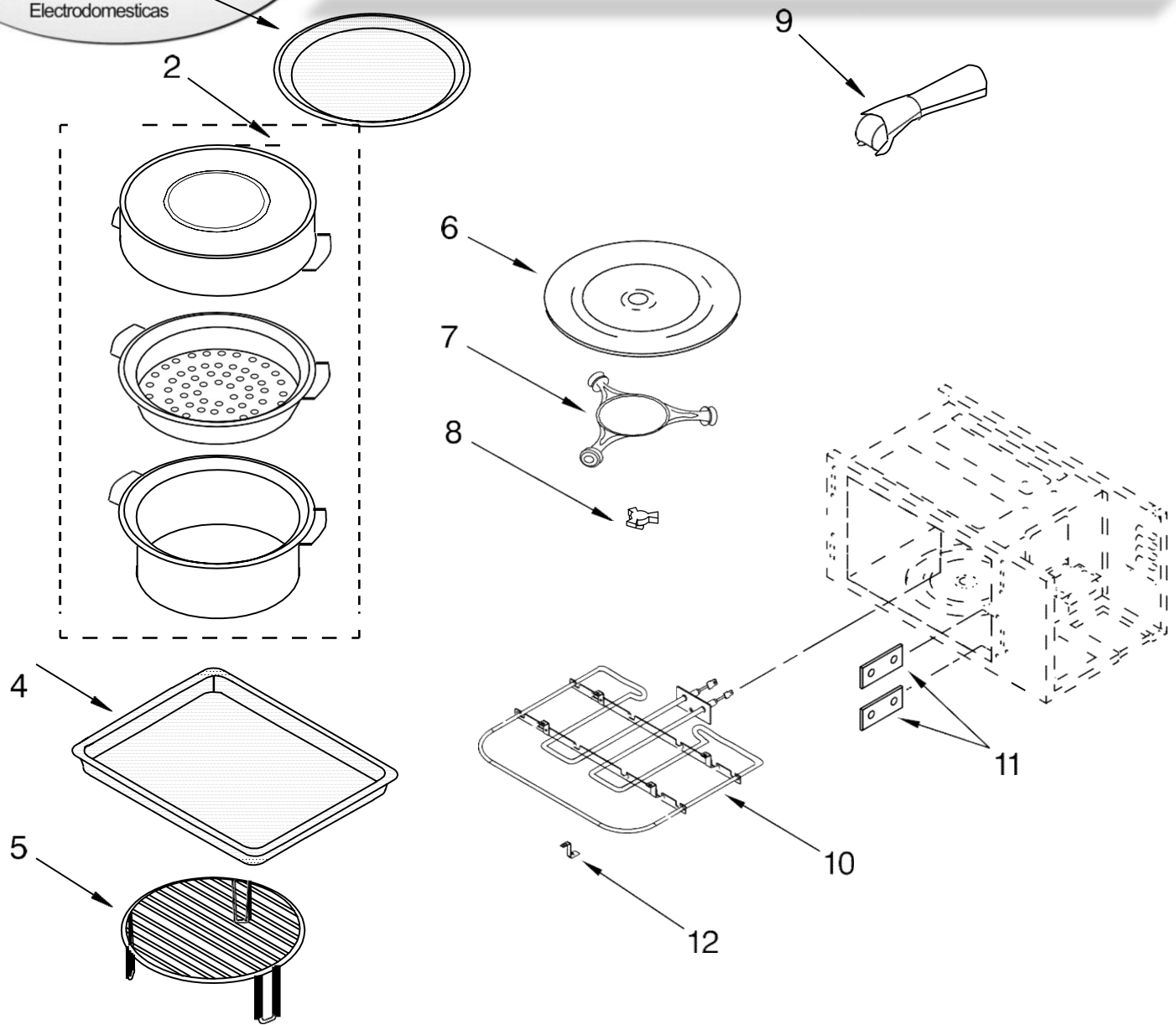
Illus. No.	Part No.	DESCRIPTION
1	W10486188	Control, Electric
2	W10486208	Trim, Side Left
3	W10486209	Trim, Side Right
4	W10486211	Vent, Top
5	W10486187	Noise Filter
6	8205692	Transformer
7	4375321	Fuse
8	4375231	Block, Fuse
9	W10287986	Thermostat
10	W10120113	Magnetron
11	W10475855	Spring, Lamp

Illus. No.	Part No.	DESCRIPTION
12	8205658	Housing, Lamp
13	W10287972	Lamp
14	W10389447	Thermostat
15	W10330566	Switch
16	8205683	Holder, Switch
17	4375320	Reflector
18	4375318	Lens, Lamp
19	W10120231	Clip, Spring
20	W10287967	Motor, Turntable
21	4375202	Screw
22	W10120478	Hinge, Door

Illus. No.	Part No.	DESCRIPTION
23	W10330572	Blower Assembly
24	W10120229	Inverter
25	W10130890	Screw
26	W10120235	Rod, Release
27	W10128850	Kit, Arm Hinge
28	8205704	Spring
29	8205686	Support
30	W10120236	Arm
31	W10475857	Sensor, Humidity
32	W10358241	Harness

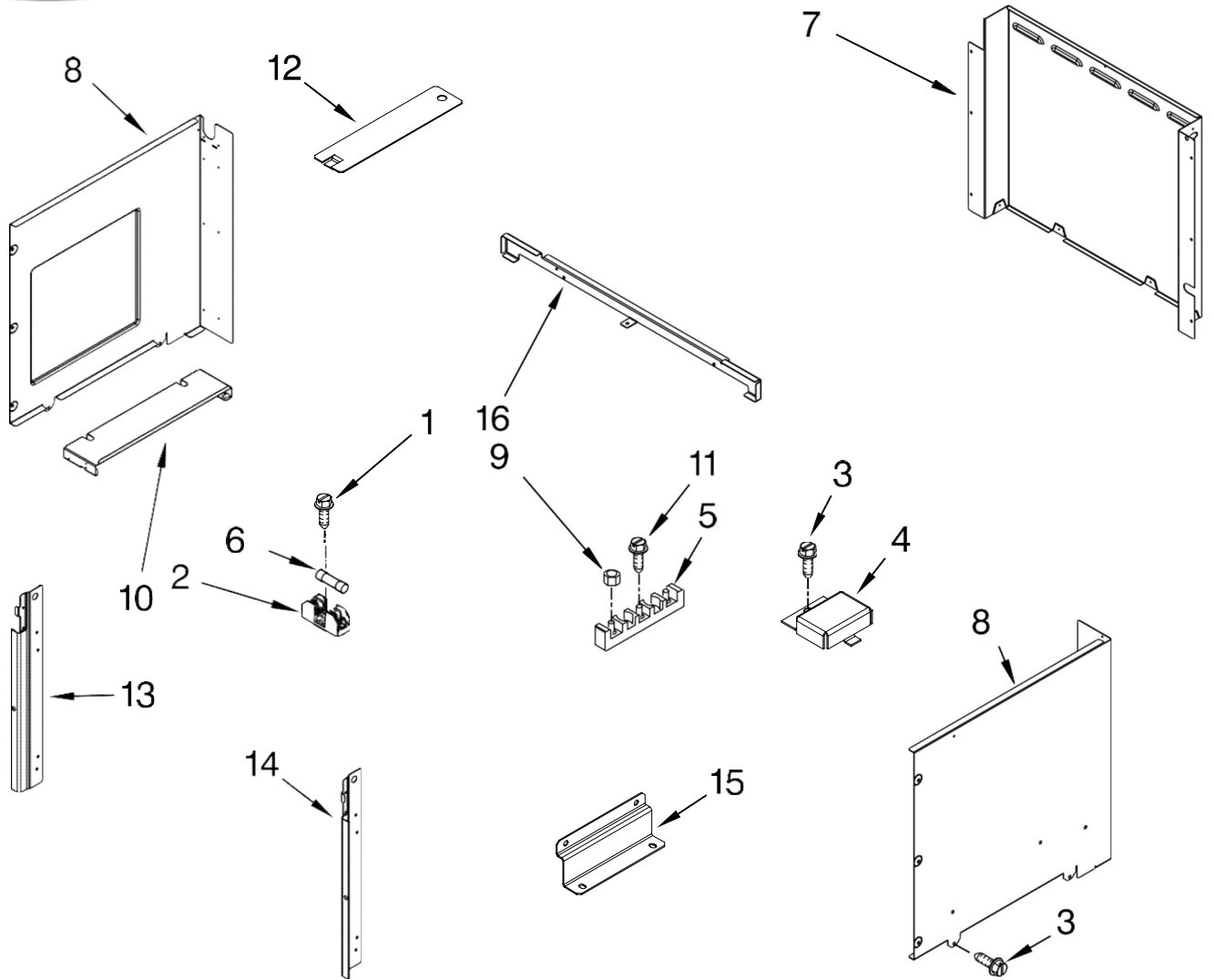
FOR ORDERING INFORMATION REFER TO PARTS PRICE LIST

HORNO WOC54EC0AB00



Illus. No.	Part No.	DESCRIPTION
1	W10120480	Crisp Plate
2	W10120484	Steamer
4	W10120486	Plate, Baking
5	W10120483	Rack
6	4375274	Turntable
7	W10486179	Ring
8	8205677	Drive, Turn Table
9	W10120481	Handle, Pan
10	W10120226	Grill Heater
11	W10120230	Cover, Plates (2)
12	W10120232	Bracket, Mounting

HORNO WOC54EC0AB00

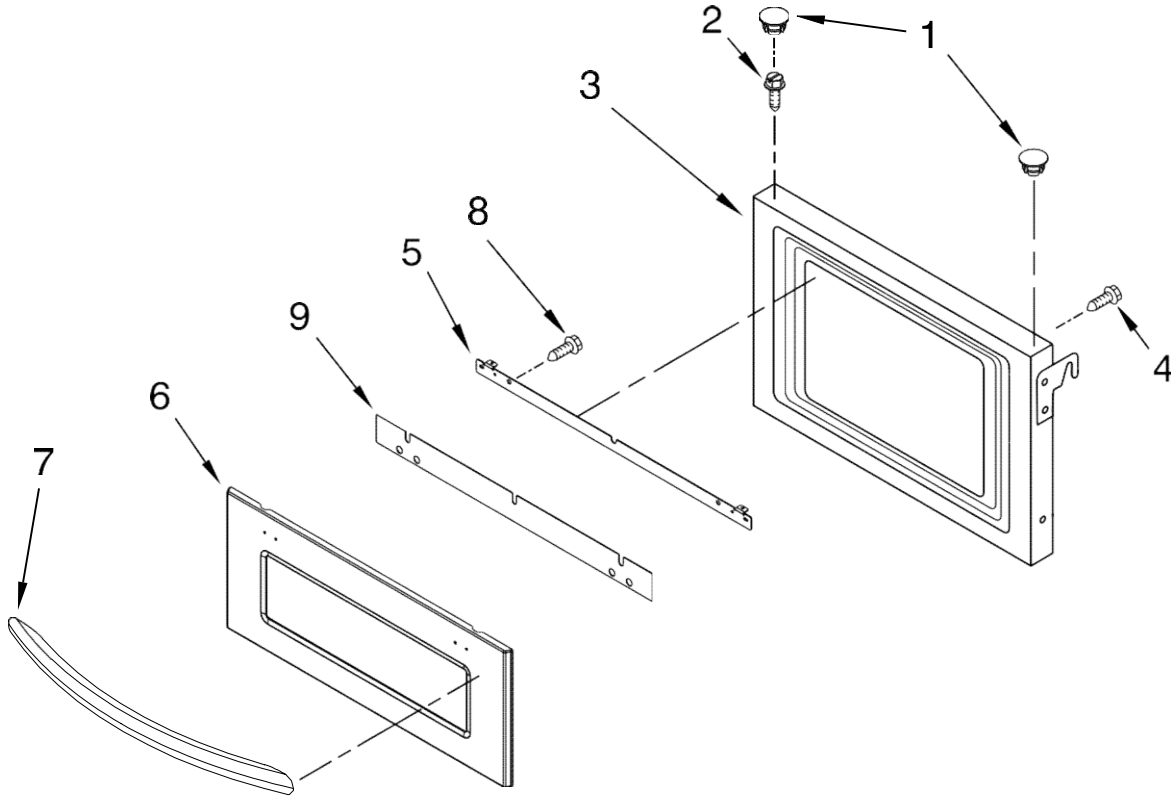


Illus. No.	Part No.	DESCRIPTION
1	4449154	Screw
2	4454949	Holder, Fuse
3	4448040	Screw
4	8285593	Cover, Connector
5	7401P038-60	Block, Terminal
6	W10017410	Fuse
7	W10283000	Chassis, Back Combo

Illus. No.	Part No.	DESCRIPTION
8		Side, Combo
	W10283029	Right
	W10283028	Left
9	7103P027-60	Nut, Terminal Block
10	W10356644	Support, Microwave Module

Illus. No.	Part No.	DESCRIPTION
11	3400080	Screw
12	W10356437	Cover, Slot Module
13	W10360516	Rail, LH
14	W10360518	Rail, RH
15	W10283024	Side, Bracket
16	W10283022	Support, Crossbar

HORNO WOC54EC0AB00



Illus. No.	Part No.	DESCRIPTION
1	8304588BL	Cap, Screw
2	4449040	Screw
3	W10486210	Door, Inner
4	4449154	Screw (4)
5	W10407600	Bracket, Door
6		Door, Outer
		Glass Kit
	W10352610	Black
	W10352611	White
	W10329466	Stainless
7		Handle, Door
	W10327379	Black
	W10327380	White
	W10317136	Stainless
8	W10143304	Screw
9	W10359769	Foam, Handle

OPTIONAL PARTS

For Models: WOC54EC0AB00, WOC54EC0AW00, WOC54EC0AS00
(Black) (White) (Stainless)

Illus. No.	Part No.	DESCRIPTION
-------------------	-----------------	--------------------

PAINT, TOUCH-UP (1/2oz.)

72017 White
72032 Black

PAINT, SPRAY

350930 White
261900 Citrine White
830864 Black

ADHESIVE

482338 Sealer, Silastic
(3 oz.)

FOLLOWING PARTS NOT ILLUSTRATED

WIRING HARNESS PARTS

W10284933 Harness,
Door Latch
W10190263 Clip, Latch
Harness
W10286223 Harness,
Communication
W10392129 Lead, Ground
4449809 Screw
W10350821 Harness, Main
4450800 Screw, Ground
4449809 Screw
4450950 Conduit, Combo
4448664 Clamp, Conduit

Miscellaneous

4448950 Screw, Install (4)