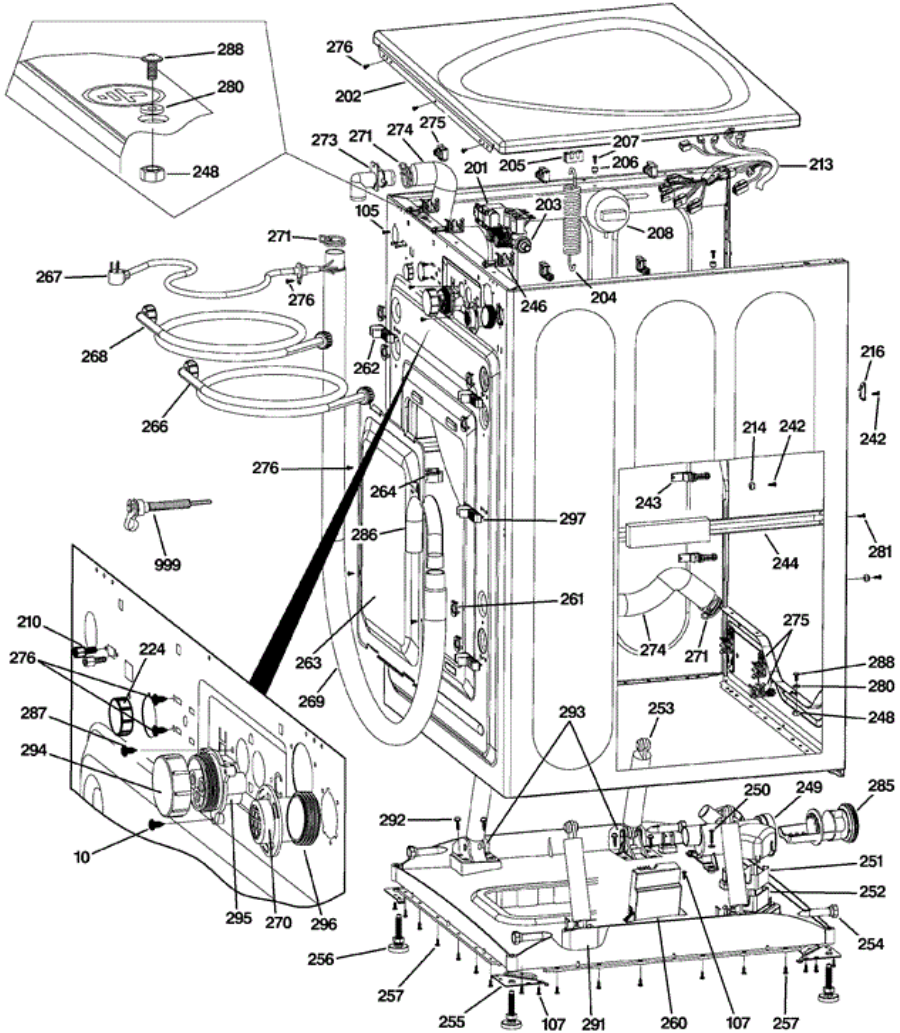


WPDH8800J3MV GABINETE





WPDH8800J3MV GABINETE

10	WH02X10223	SCREW ST4*10
105	WH02X10181	SCREW_ST3.5 X 11
107	WH02X10183	SCREW_ST4*13
201	WH41X10123	EMI_FILTER
202	WH44X10202	TOP PANEL ASM MG
202	WH44X10203	TOP PANEL ASM MV
202	WH44X10204	TOP PANEL ASM WW
203	WH13X10023	WATER VALVE
204	WH05X10010	SPRING - SUSPENSION
205	WH01X10251	SPRING_HANGER
206	WH01X10252	TOP_PANEL_PIN
207	WH02X10187	SCREW_ST 4.2X14
208	WH12X10390	PRESSURE SWITCH
210	WH02X10268	SCREW - DB9 CONNECTOR
213	WH19X10057	WIRE HARNESS
214	WH01X10253	FRONT_PANEL_PIN
216	WH16X10073	FRONT_PANEL_HANGER
224	WH01X10382	COVER WIRE
242	WH02X10182	SCREW ST4.2*13
243	WH16X10074	WIRE_CATCH
244	WH16X10075	SIDE_BRACKET
246	WH16X10076	WIRE_CATCH
248	WH02X10199	NUT_M5
249	WH23X10028	PUMP
250	WH02X10200	SCREW_WASHER_ST4*25
251	WH44X10176	WIRING_COVER
252	WH44X10177	INVERTER CONNECTORS SHIE
253	WH01X10385	DAMPER - SHOCK
254	WH01X10261	DAMPER PIN
255	WH16X10077	CONNER BRACKET
256	WH46X10130	LEG ASM
257	WH02X10201	SCREW_ST4.2*13
260	WH12X10418	INVERTER

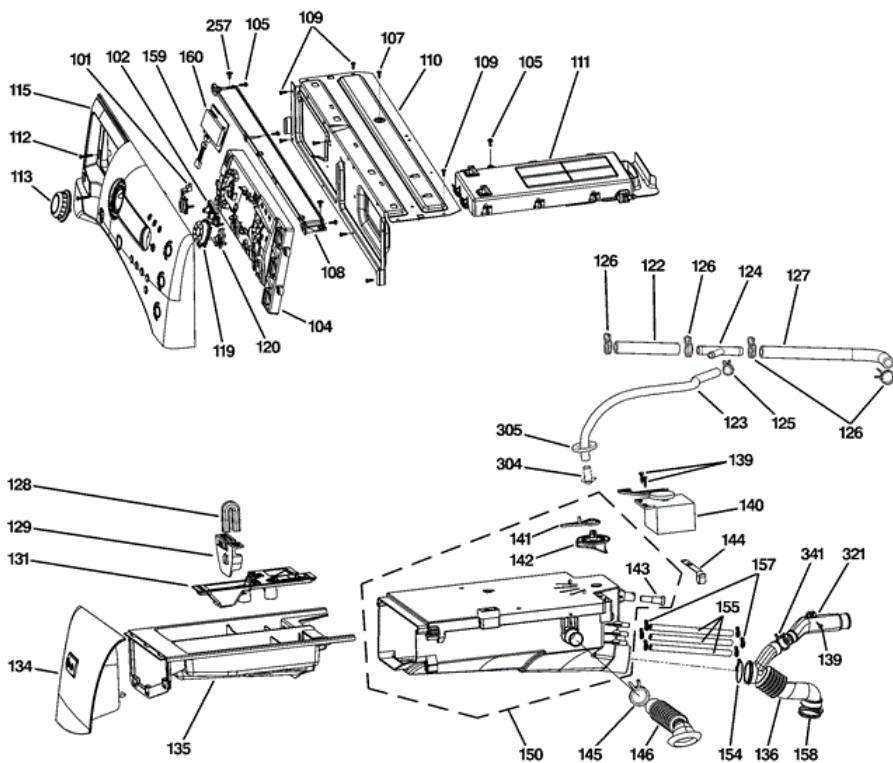
260	WH12X10454	INVERTER
261	WH44X10206	COVER - SHIPPING SCREW
262	WH01X10262	OUTSIDE_DRAIN_HOSE_CATCH
263	WH46X10132	CABINET_REAR_COVER
264	WH01X10263	INSIDE_DRAIN_HOSE_CATCH
266	WH41X10215	MAIN_WATER_HOSE_COLD
267	WH19X10046	POWER_CORD
268	WH41X10216	MAIN_WATER_HOSE_HOT
269	WH41X10126	OUTSIDE_DRAIN_HOSE
270	WH01X10264	VENT_HOSE_COUPLING
271	WH01X10265	DRAIN_HOSE_CLAMP
273	WH01X10266	DRAIN_HOSE_COUPLING
274	WH41X10127	INSIDE_DRAIN_HOSE
275	WH16X10078	WIRE_CATCH_1
276	WH02X10203	SCREW_ST4.2*11
280	WH02X10218	LOCK WASHER
281	WH02X10219	SCREW_ST4*10
285	WH23X10029	PUMP FILTER
286	WH41X10133	U SHAPE DRAIN HOSE
287	WH02X10220	SCREW_ST4.2*13
288	WH02X10234	SCREW M5*12
291	WH16X10108	DAMPER BRACKET - LEFT
292	WH02X10271	SCREW ST5.5*20
293	WH16X10109	DAMPER BRACKET - RIGHT
294	WH01X10399	QUICK CONNECTOR DUST CAP
295	WH01X10391	QUICK CONNECTOR
296	WH08X10037	SEAL VENT PIPE
297	WH01X10430	TUBE SUPPORT
999	WH49X10049	KIT - SHIPPING BOLT GREY

Distribuidor Autorizado

SurteRápido.com

Venta de Refacciones
Electrodomesticas

WPDH8800J3MV TABLERO



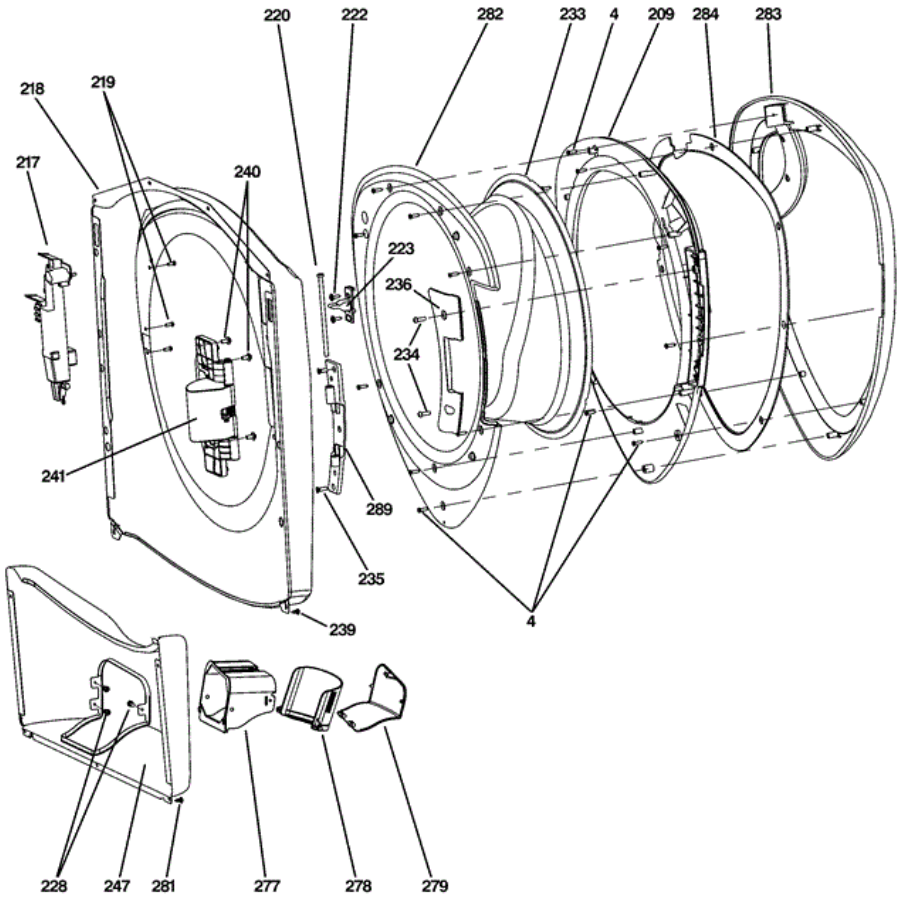


WPDH8800J3MV TABLERO

101	WH01X10372	POWER BUTTON
102	WH01X10373	SETTINGS BUTTON WW
102	WH01X10400	SETTINGS BUTTON MV
102	WH01X10401	SETTINGS BUTTON MG
104	WH12X10465	CONTROL BOARD ASM
105	WH02X10181	SCREW_ST3.5 X 11
107	WH02X10183	SCREW_ST4*13
108	WH16X10107	CONTROL REAR COVER
109	WH02X10184	SCREW_ST4.2 X 13
110	WH46X10202	FRONT TOP BRACKET
111	WH12X10464	POWER BOARD ASM
112	WH02X10185	SCREW_ST4*25
113	WH11X10055	SELECT CYCLE KNOB ASM
115	WH42X10781	CONTROL PANEL ASM WW
115	WH42X10782	CONTROL PANEL ASM MG
115	WH42X10783	CONTROL PANEL ASM MV
119	WH01X10402	CLUSTER BUTTON ASM MG
119	WH01X10403	CLUSTER BUTTON ASM MV
119	WH01X10419	CLUSTER BUTTON ASM WW
120	WH01X10375	BUTTON "BACK" WW
120	WH01X10420	BUTTON "BACK" MV
120	WH01X10421	BUTTON "BACK" MG
122	WH41X10108	INLET_WATER_HOSE_1
123	WH41X10109	SPRAY_HOSE
124	WH41X10110	3_WAY_PIPE
125	WH01X10243	3_WAY_PIPE_CLAMP
126	WH01X10244	3_WAY_PIPE_CLAMP
127	WH41X10111	INLET_WATER_HOSE
128	WH41X10179	SIPHON PIPE
129	WH41X10180	LIQUID DETERGENT INSERT
131	WH41X10181	SOFTENER BLEACH COVER
134	WH41X10182	DISPENSER DWR FRONT MV
134	WH41X10183	DISPENSER DWR FRONT MG

134	WH41X10184	DISPENSER DWR FRONT WW
135	WH41X10185	DRAWER DISPENSER
136	WH41X10186	WATER INLET PIPE
139	WH02X10186	SCREW ST 4*20
140	WH43X10031	DIVERTER
141	WH01X10247	DIVERTER_INDICATOR
142	WH01X10376	DIVERTER_LEVER_PLATE
143	WH41X10121	DISPENSER_INLET
144	WH01X10249	DISPENSER_CLAMP
145	WH01X10250	DISPENSER_VENT_HOSE_CLAMP
146	WH41X10122	DISPENSER_VENT_HOSE
150	WH41X10187	MAIN BOX DIVERTER ASM
154	WH01X10377	CLAMP - WATER INLET PIPE
155	WH41X10205	RUBBER PIPE
157	WH01X10429	CLAMP - QUICK DISCONNECT
158	WH01X10379	CLAMP - WATER INLET PIPE
159	WH19X10056	HARNESS - DISPLAY BOARD
160	WH12X10389	DISPLAY BOARD - VFD
257	WH02X10201	SCREW_ST4.2*13
304	WH08X10021	GASKET_NOZZLE
305	WH02X10206	GASKET_NOZZLE_WASHER
321	WH41X10189	HOSE - VENT
341	WH01X10275	PUMP_CLAMP

WPDH8800J3MV PUERTA

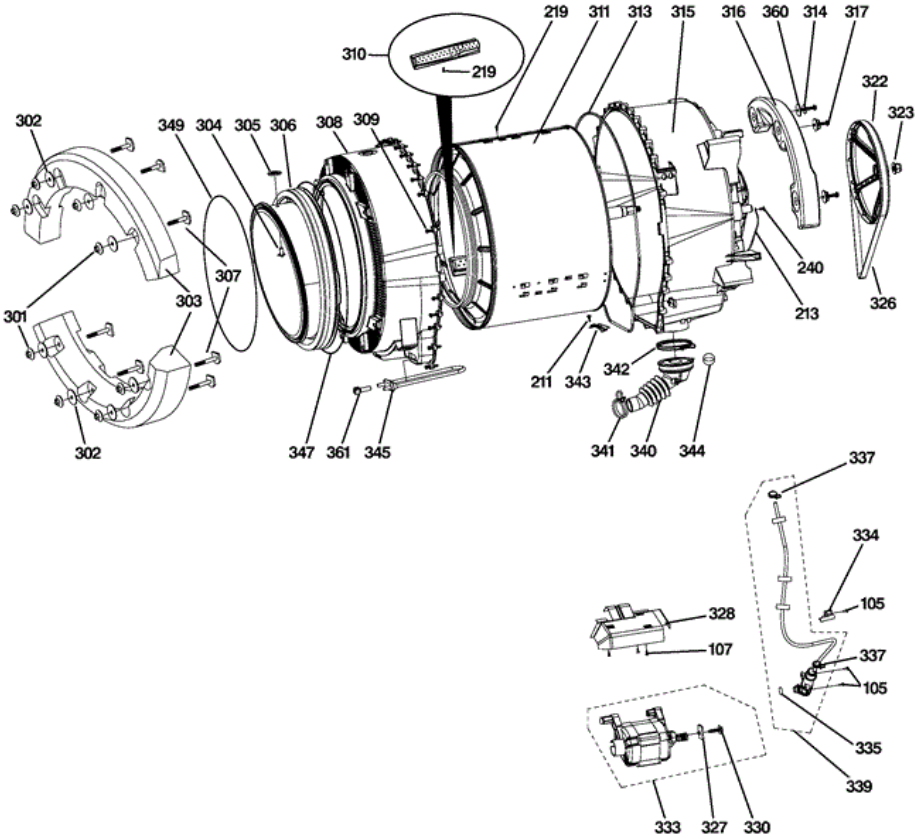




WPDH8800J3MV PUERTA

4	WH02X10222	SCREW ST4*16
209	WH01X10381	INNER RING - DOOR
217	WH10X10006	DOOR_LOCK
218	WH46X10203	FRONT PANEL MV
218	WH46X10204	FRONT PANEL MG
218	WH46X10205	FRONT PANEL WW
219	WH02X10189	SCREW ST4*13
220	WH01X10254	HINGE_DOOR_SHORT_PIN
222	WH02X10269	SCREW ST4*13
223	WH01X10356	DOOR PLUNGER
228	WH02X10193	SCREW_ST3.5*9.5
233	WH46X10150	DOOR GLASS
234	WH02X10270	SCREW M5*16
235	WH02X10194	SCREW_M5*12
236	WH44X10205	HINGE COVER
239	WH02X10197	SCREW_ST4.4*9.5
240	WH02X10198	SCREW_M5*12
241	WH01X10384	HINGE
247	WH46X10206	SERVICE PANEL MG
247	WH46X10207	SERVICE PANEL MV
247	WH46X10208	SERVICE PANEL WW
277	WH01X10386	PUMP ACCESS SHROUD
278	WH01X10387	PUMP DRAIN CHANNEL
279	WH01X10388	PUMP ACCESS DOOR MG
279	WH01X10389	PUMP ACCESS DOOR MV
279	WH01X10390	PUMP ACCESS DOOR WW
281	WH02X10219	SCREW_ST4*10
282	WH46X10209	DOOR COVER ASM
283	WH46X10210	DOOR FRAME - OUTER ASM
284	WH46X10211	PROTECT COVER AND RING
289	WH01X10383	HINGE DOOR PLATE

WPDH8800J3MV TAMBOR





WPDH8800J3MV TAMBOR

105	WH02X10181	SCREW_ST3.5 X 11
107	WH02X10183	SCREW_ST4*13
211	WH02X10188	SCREW ST4X11
213	WH19X10057	WIRE HARNESS
219	WH02X10189	SCREW ST4*13
240	WH02X10198	SCREW_M5*12
301	WH02X10204	NUT_M8
302	WH02X10205	WASHER
303	WH01X10393	COUNTERWEIGHT - FRONT
304	WH08X10021	GASKET_NOZZLE
305	WH02X10206	GASKET_NOZZLE_WASHER
306	WH08X10038	GASKET
307	WH02X10207	BOLT M8*48
308	WH45X10069	FRONT_TUB
309	WH02X10208	SCREW_ST6*35
310	WH16X10110	BAFFLE
311	WH45X10081	BASKET ASM
313	WH08X10023	TUB_SEAL
314	WH01X10394	SPRING WASHER CURVED
315	WH45X10082	REAR TUB ASM
316	WH01X10395	COUNTERWEIGHT - REAR
317	WH02X10210	SCREW_ST8*45
322	WH07X10016	DRIVING PULLEY KIT
323	WH02X10211	NUT_M16
326	WH08X10024	DRIVING_BELT
327	WH02X10212	MOTOR_WASHER
328	WH16X10080	MOTOR_SHIELD
330	WH02X10213	FLANGE_BOLT_M8*35
333	WH20X10028	MOTOR ASM KIT
334	WH01X10396	SUPPORT- PRESSURE HOSE
335	WH01X10397	AIR CHAMBER RING
337	WH01X10273	PRESSURE_HOSE_CLAMP
339	WH41X10190	AIR CHAMBER ASM

340	WH41X10191	DRAIN HOSE
341	WH01X10275	PUMP_CLAMP
342	WH01X10276	TUB DRAIN HOSE CLAMP
343	WH16X10081	HEATER SUPPORT
344	WH01X10398	CHECK BALL
345	WH12X10309	HEATER
347	WH01X10277	GASKET INSIDE CLAMP
349	WH01X10279	GASKET OUTSIDE CLAMP
360	WH02X10221	WASHER
361	WH12X10310	HEATER THERMISTOR