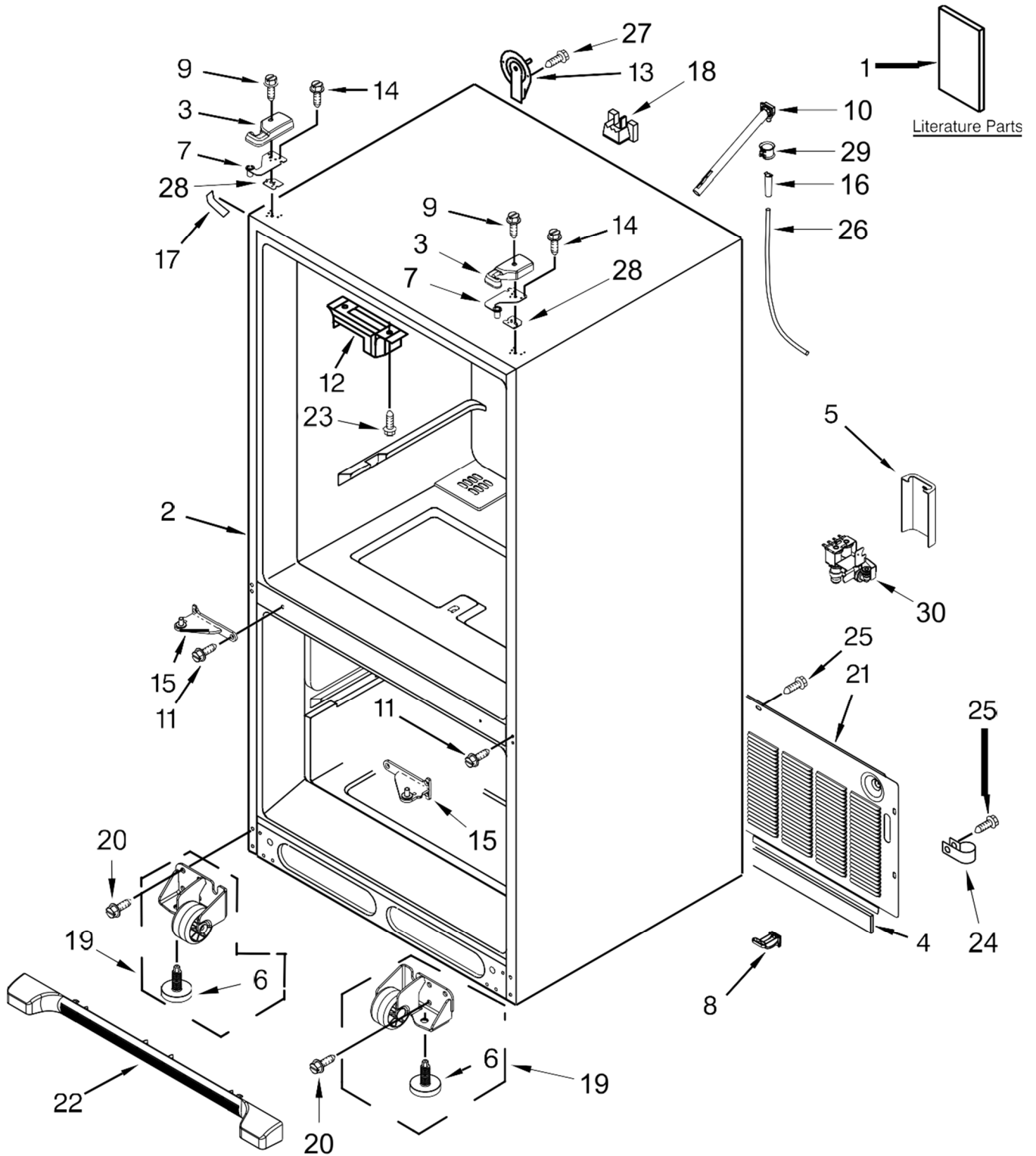


# REFRIGERADOR WRF535SWHV00





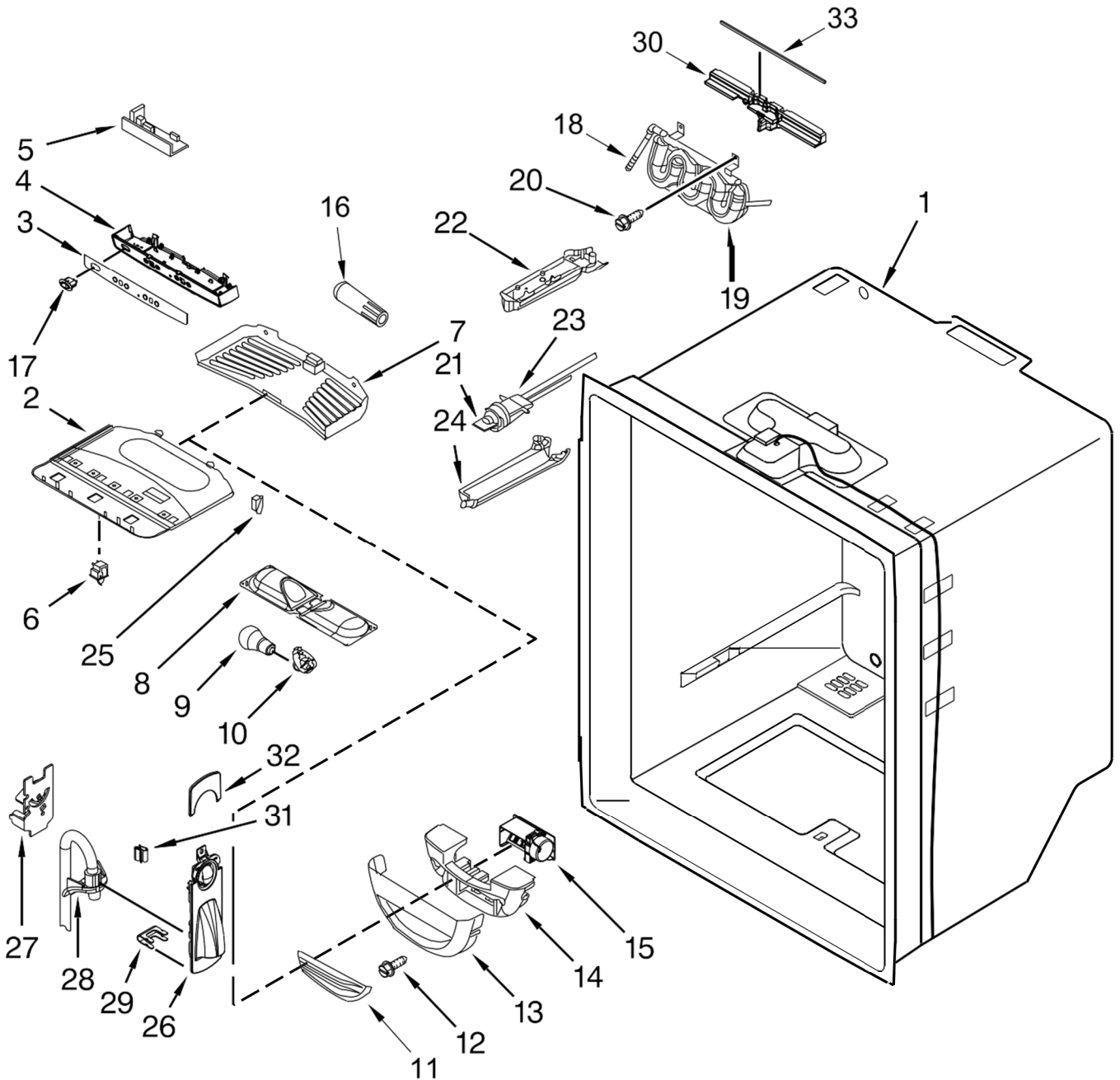
# REFRIGERADOR WRF535SWHV00

<u>Illus. No.</u>	<u>Part No.</u>	<u>Description</u>
1		Literature Parts
	W10597594	Use and Care Guide
	W10920562	Energy Guide
	W10517966N	Tech Sheet
2		Cabinet (Not a Servicable Part)
3		Cover, Top Hinge Left Hand
	W10337634	White
	W10337647	Black
	W10337648	Grey
		Right Hand
	12962302W	White
	12962302B	Black
	12962302AP	Grey
4	B5759655	Gasket
5	W10208593	Guard, Dual Water Valve
6	W10141622	Brake, Roller
7		Hinge, Top
	12963204ED	Left Hand
	12963205ED	Right Hand
8	W10528513	Sweep, Dual Tube
9	12992602	Screw

<u>Illus. No.</u>	<u>Part No.</u>	<u>Description</u>
10	10463203	Elbow, Fill Tube
11	12990101	Screw
12	12698403	Plate, Pivot
13	12726003	Cover, Water Line
14	12992403	Screw
15		Hinge, Center Left Hand
	W10740148	White
	W10740149	Black
	W10740150	Grey
		Right Hand
	W10740144	White
	W10740145	Black
	W10740146	Grey
16	A3223101	Insert, Tube
17		Cover, Corner
	12587703W	White
	12587703B	Black
	12587703AP	Grey
18	W10658542	Block, Fill Tube
19		Assembly, Roller
	W10515763	Left Hand
	W10515762	Right Hand
20	W10709365	Screw

<u>Illus. No.</u>	<u>Part No.</u>	<u>Description</u>
21	W10211855	Cover, Unit
22		Grille, Toe
	W10534154	White
	W10534153	Black
	W10534155	Grey
23	12990302	Screw
24	M0108107	Clamp, Tube
25	12990511	Screw
26	B5705333	Tubing, Plastic
27	12990504	Screw
28		Shim, Top Hinge
	12999501	Left Hand
	12999502	Right Hand
29	M0114003	Clip, Speed
30	W10420083	Valve, Water Inlet

# REFRIGERADOR WRF535SWHV00





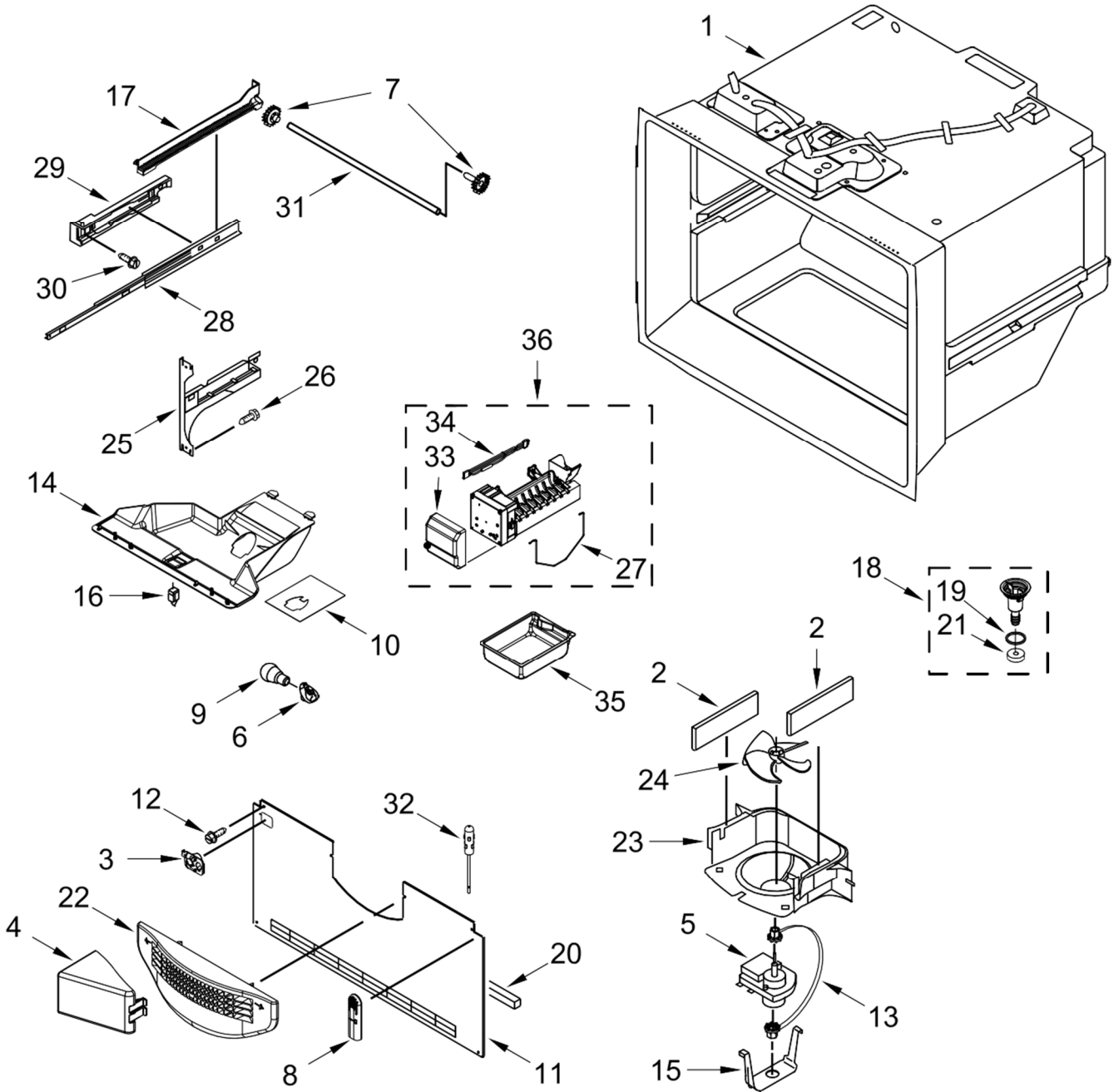
# REFRIGERADOR WRF535SWHV00

<u>Illus. No.</u>	<u>Part No.</u>	<u>Description</u>
1		Liner (Not A Serviceable Part)
2	W10464764	Module, Light
3	W10613576	Overlay, Control
4	W10464775	Module, Control
5	W10503278	Control, Electronic
6	C3680310V	Switch, Light
7	12806501	Cover, Light
8	W10443023	Housing, Light
9	W10805744	Lamp, Led
10	12570701V	Socket, Light
11	12806801	Insert, Damper Cover
12	12990604	Screw
13	12806701	Cover, Damper
14	13012402	Insulation, Damper

<u>Illus. No.</u>	<u>Part No.</u>	<u>Description</u>
15	W10594330	Damper, Control
16	W10735404	Filter, Water
17	12861601	Switch, Energy Saver
18	61006182	Union, Water
19	12706112	Tank, Water
20	12990513	Screw
21	12664501SP	Cartridge, Bypass
22	12704801	Plate, Filter
23	W10609243	Head, Water Filter (Includes Bypass Cartridge)
24	12568001	Cover, Filter
25	12575501	Switch, Limit
26	W10585703	Facade, Dispenser
27	W10585699	Plate, Dispenser

<u>Illus. No.</u>	<u>Part No.</u>	<u>Description</u>
28	12707206	Guide, Waterline
29	12251001	Clip, Water Tube
30	W10117358	Insulation, Water Tank
31	B8390302	Clip, Facade
32	12707005	Facade, Dispenser (Top)
33	10685510	Gasket, Seal
FOLLOWING PARTS NOT ILLUSTRATED		
	W10389967	Harness, Controls (Refrigerator)

# REFRIGERADOR WRF535SWHV00





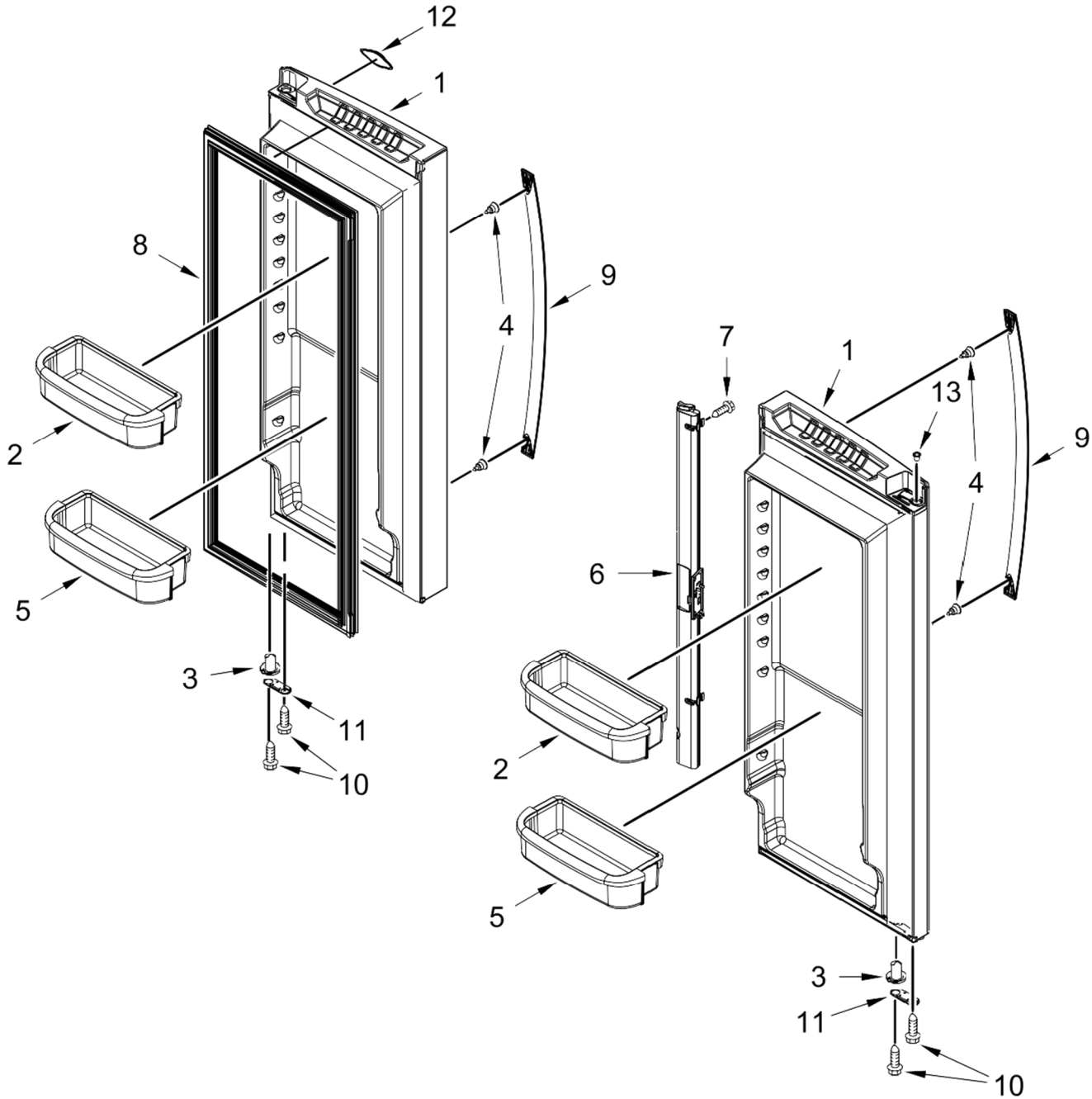
# REFRIGERADOR WRF535SWHV00

<u>Illus. No.</u>	<u>Part No.</u>	<u>Description</u>
1		Liner (Not A Serviceable Part)
2	A3189392	Gasket, Foam
3	12932103	Guide, Fill Tube
4	W10157765	Diverter, Air
5	W10128551	Motor, Evaporator
6	12570701	Socket, Light
7	12002497	Gear
8	12815301	Cover, Thermistor
9	W10805744	Lamp, Led
10	W10277466	Foil, Housing
11	W10308416	Cover, Evaporator
12	12990511	Screw
13	W10121318	Grommet
14	W10277025	Module, Light
15	13058002	Clip, Evaporator Motor

<u>Illus. No.</u>	<u>Part No.</u>	<u>Description</u>
16	12466105	Switch, Light
17		Rail, Side
	W10516603	Left Hand
	W10516602	Right Hand
18	W10662407	Assembly, Drain Funnel
19	M0500703	Seal
20	A3189396	Gasket
21	B8381501	Gasket, Drain
22	13024803	Grille, Freezer Air
23	13057901	Shroud, Evaporator Fan
24	2169142	Blade, Fan
25		Bracket, Door
	W10330991	Left Hand
	W10330993	Right Hand

<u>Illus. No.</u>	<u>Part No.</u>	<u>Description</u>
26	12990521	Screw
27	W10202524	Arm, Shut Off
28	W10120018	Slide, Door
29		Adapter, Slide
	W10284684	Left Hand
	W10284685	Right Hand
30	12990501	Screw
31	W10802332	Shaft, Rack
32	12791409SP	Thermistor
33	W10445790	Cover, Icemaker
34	W10793621	Harness, Icemaker Wire
35	W10171529N	Pan, Ice
36	W10793298	Assembly, Icemaker (Complete)

# REFRIGERADOR WRF535SWHV00





# REFRIGERADOR WRF535SWHV00

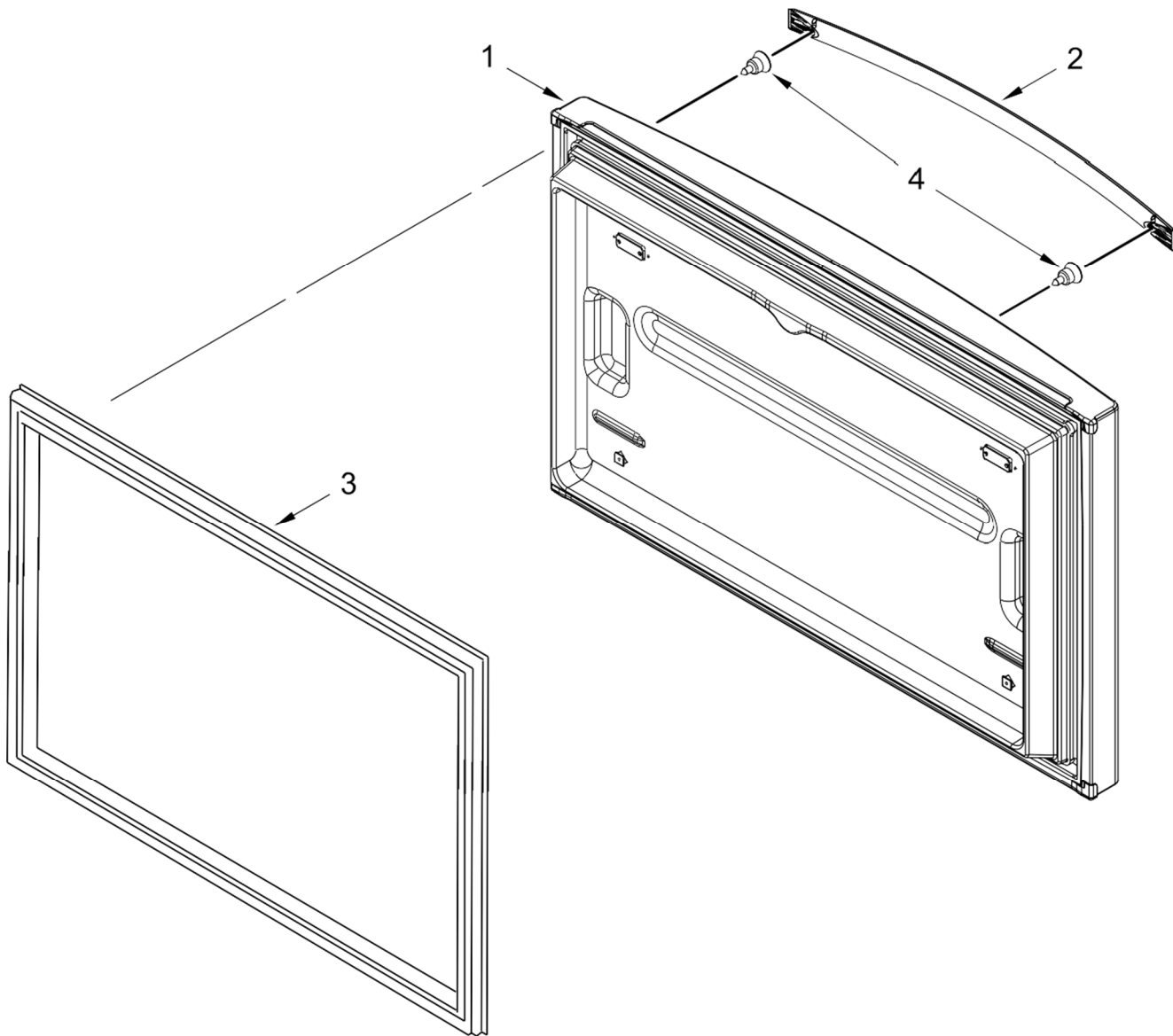
<u>Illus. No.</u>	<u>Part No.</u>	<u>Description</u>
1		Door, Refrigerator Left Hand
	13107888W	White
	W10861180	Black
	W10879200	Black Stainless
	W10890275	Stainless Right Hand
	13107887W	White
	W10861182	Black
	W10879190	Black Stainless
	W10890281	Stainless
2	W10289497	Bucket, Gallon
3		Closure, Door
	12028505W	White
	12028505B	Black
	12028505AP	Grey

<u>Illus. No.</u>	<u>Part No.</u>	<u>Description</u>
4	W10460893	Screw
5	W10371194	Bucket, Medium
6		Mullion, Door
	12722803W	White
	12722803BN	Black
	12722803APN...	Grey
7	12990204	Screw
8		Gasket, Door
	W10830189	White
	W10830206	Black
	W10830162	Grey
9		Handle, Door
	W10887612	White
	W10887611	Black
	W10917722	Black Stainless
	W10874799	Stainless

<u>Illus. No.</u>	<u>Part No.</u>	<u>Description</u>
10	12990504	Screw
11		Stop, Door
	12968202W	White
	12968202B	Black
	12968202AP	Grey
12	W10884773	Badge
13	12996601	Clip, Bushing



# REFRIGERADOR WRF535SWHV00

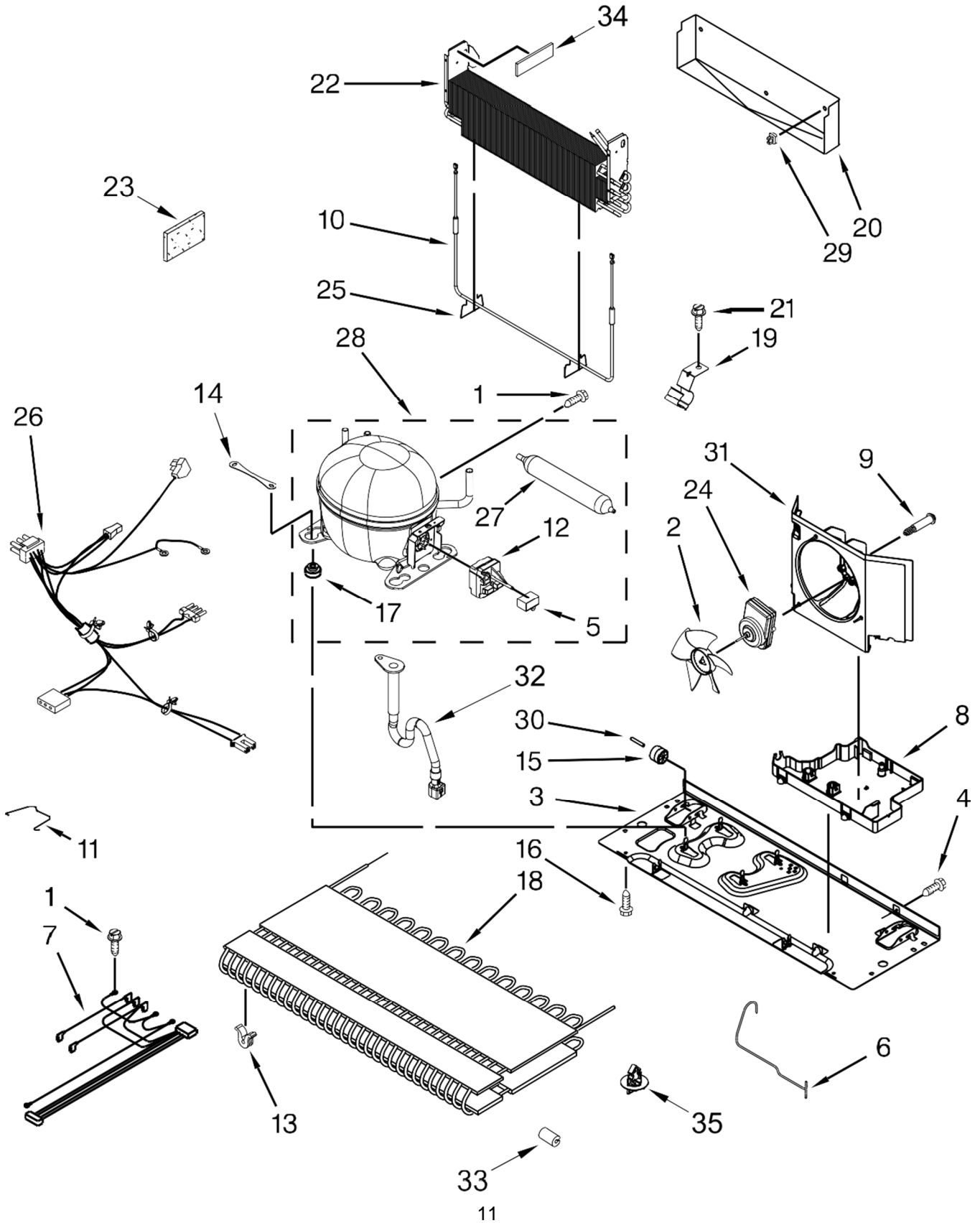


<u>Illus. No.</u>	<u>Part No.</u>	<u>Description</u>
1		Door, Freezer
	12977879W	White
	W10861085	Black
	W10879185	Black Stainless
	W10890615	Stainless

<u>Illus. No.</u>	<u>Part No.</u>	<u>Description</u>
2		Handle, Door
	W10887633	White
	W10887632	Black
	W11024145	Black Stainless
	W10874811	Stainless

<u>Illus. No.</u>	<u>Part No.</u>	<u>Description</u>
3		Gasket, Door
	W10443319	White
	W10436252	Black
	W10443320	Grey
4	W10460893	Screw

# REFRIGERADOR WRF535SWHV00





# REFRIGERADOR WRF535SWHV00

**Illus.**  
**No.**    **Part No.**    **Description**

1	12992301	Screw
2	12825803	Blade, Fan
3	W10480111	Basepan
4	12990511	Screw
5	W10350564	Capacitor
6	W10233569	Tube, Discharge
7	W10292244	Harness, Evaporator
		(Includes Heater)
8	W10655368	Pan, Drain
9	W10622701	Screw
10	12729123	Heater, Defrost
11	W10216075	Strap, Bale
12	W10796752	Device, Start
13	W10137529	Grommet, Condenser
14	W10236396	Strap, Compressor
15	12477102	Roller
16	12992101	Screw
17	10835903	Grommet

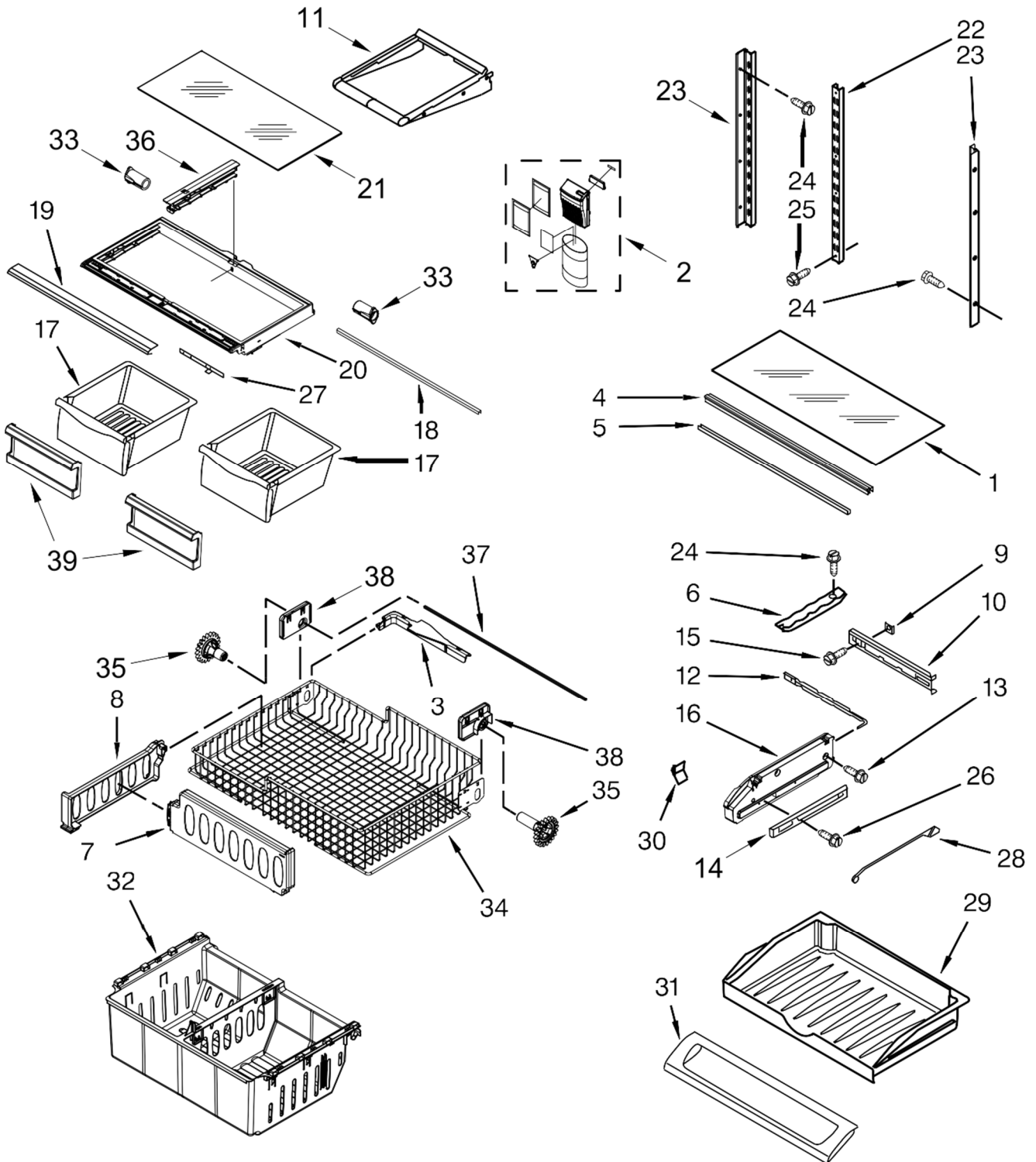
**Illus.**  
**No.**    **Part No.**    **Description**

18	W10346415	Condenser
19	W10281329	Clip, Drier
20	W10292803	Tray, Drip
21	12990701	Screw
22	W10669255	Evaporator
23	2169104	Sealer, Insulation
24	W10609117	Motor, Condenser Fan
25	10428101	Clip, Heater
26	W10679216	Harness, Unit (Includes Power Cord)
27	W10177049	Drier
28	W10485433	Compressor
29	10623002	Clip, Evaporator
30	12477202	Axle, Roller
31	W10189184	Shroud, Condenser Fan
32	W10622099	Extension, Drain Tube
33	2319835	Grommet, Condenser

**Illus.**  
**No.**    **Part No.**    **Description**

34	A3189397	Gasket, Foam
35	W10815863	Clip, Condenser
		FOLLOWING PARTS NOT ILLUSTRATED
	978025	Valve, Access
	978026	Valve, Access
	978027	Valve, Access
	978028	Valve, Access
	978029	Valve, Access
	978030	Valve, Access
	876764	Valve, Access
		REFRIGERANT CHARGE
		5.00 oz. (R-134A)

# REFRIGERADOR WRF535SWHV00





# REFRIGERADOR WRF535SWHV00

<u>Illus. No.</u>	<u>Part No.</u>	<u>Description</u>
1	W10893772	Glass, Shelf
2	W10596756	Assembly, Produce Preserver
3	W10149389N	Lift, Bail Arm
4	W10528935	Trim, Pantry Glass
5	12227305WH	Brace, Pantry
6	12531901	Track, Deli Drawer
7	W10171558	Divider, Basket (Upper)
8	W10241046	Divider, Basket (Upper)
9	12656901	Gasket, Pantry
10	12656202	Housing, Control
11	W10739590	Assembly, Fixed Shelf
12	12655402	Slide, Temperature Control
13	12990512	Screw
14	W10235370	Glide, Pantry

<u>Illus. No.</u>	<u>Part No.</u>	<u>Description</u>
15	12990513	Screw
16		Endcap, Pantry
	W10845509	Left Hand
	W10845508	Right Hand
17	12804601SP	Pan, Crisper
18	12642303WD	Brace, Crisper Cover
19	W10231345N	Trim, Crisper
20	W10329866	Frame, Crisper
21	12204824N	Glass, Shelf
22	W10273463	Ladder, Center
23	W10569182	Ladder, Side
24	12990513	Screw
25	W10215666	Screw
26	12990504	Screw
27	12530805SP	Slide, Humidity Control
28	12655304	Bar, Control
29	12731302	Drawer, Pantry
30	12655204	Knob, Temperature Control

<u>Illus. No.</u>	<u>Part No.</u>	<u>Description</u>
31	12656813	Lid, Pantry
32	W10293682	Bin, Lower
33	13062602	Support, Crisper Frame
34	W10348246	Basket, Freezer (Upper)
35		Gear, Spur
	W10474716	Left Hand
	W10474715	Right Hand
36	W10326469N	Rail, Center Crisper
37	W10802333	Shaft, Rack
38		Mount, Gear
	W10348259	Left Hand
	W10348260	Right Hand
39	12802602SP	Front, Crisper Pan

# OPTIONAL PARTS

## PAINT, TOUCH-UP (1/2OZ.)

<u>Illus.</u>	<u>No.</u>	<u>Part No.</u>	<u>Description</u>
		72017	White
		72032	Black
		511873	White Porcelain (2 oz.)
		4392899	Biscuit/Bisque

## PAINT, PRESSURIZED SPRAY (12 OZ.)

<u>Illus.</u>	<u>No.</u>	<u>Part No.</u>	<u>Description</u>
		350930	White
		350939	Enamel, Black
		285006	Black
		350942	White Primer
		4392901	Biscuit/Bisque

## PAINT, BULK (1 QT.)

<u>Illus.</u>	<u>No.</u>	<u>Part No.</u>	<u>Description</u>
		799344	White (Uncut)

## MISCELLANEOUS

<u>Illus.</u>	<u>No.</u>	<u>Part No.</u>	<u>Description</u>
		212643	Sealer, Gum (4 Feet)
		479502	Tape, Vinyl (3/4 x 108")
		876370	Insulation (2 Pieces, 3" x 24" x 48")
		876305	Insulation Kit (14 Pieces, 3" x 24" x 48")
		978941	Insulation, Fiberglass (63 1/2" x 35 1/2" x 2 5/8")
		876029	Kit, Foam Slab (30" x 32 1/2" x 1 1/2")
		505587	Sealer, Mastic (1 Qt)
		503695	Cork, Sealer
		20000008	Cleaner, Stainless Steel
		542638	Grease, Silicone (1/2 Oz.)
		542639	Cement, Alumilastic (1 1/4 Oz.)
		833938	Kit, Terminal Connector
		8003RP	Kit, Water Inlet

## TORX SCREW WRENCH

<u>Illus.</u>	<u>No.</u>	<u>Part No.</u>	<u>Description</u>
		1117510	Torx Key