



**BOTTOM MOUNT FRENCH DOOR REFRIGERATOR  
Fingerprint Resistant**

**MODELS:**

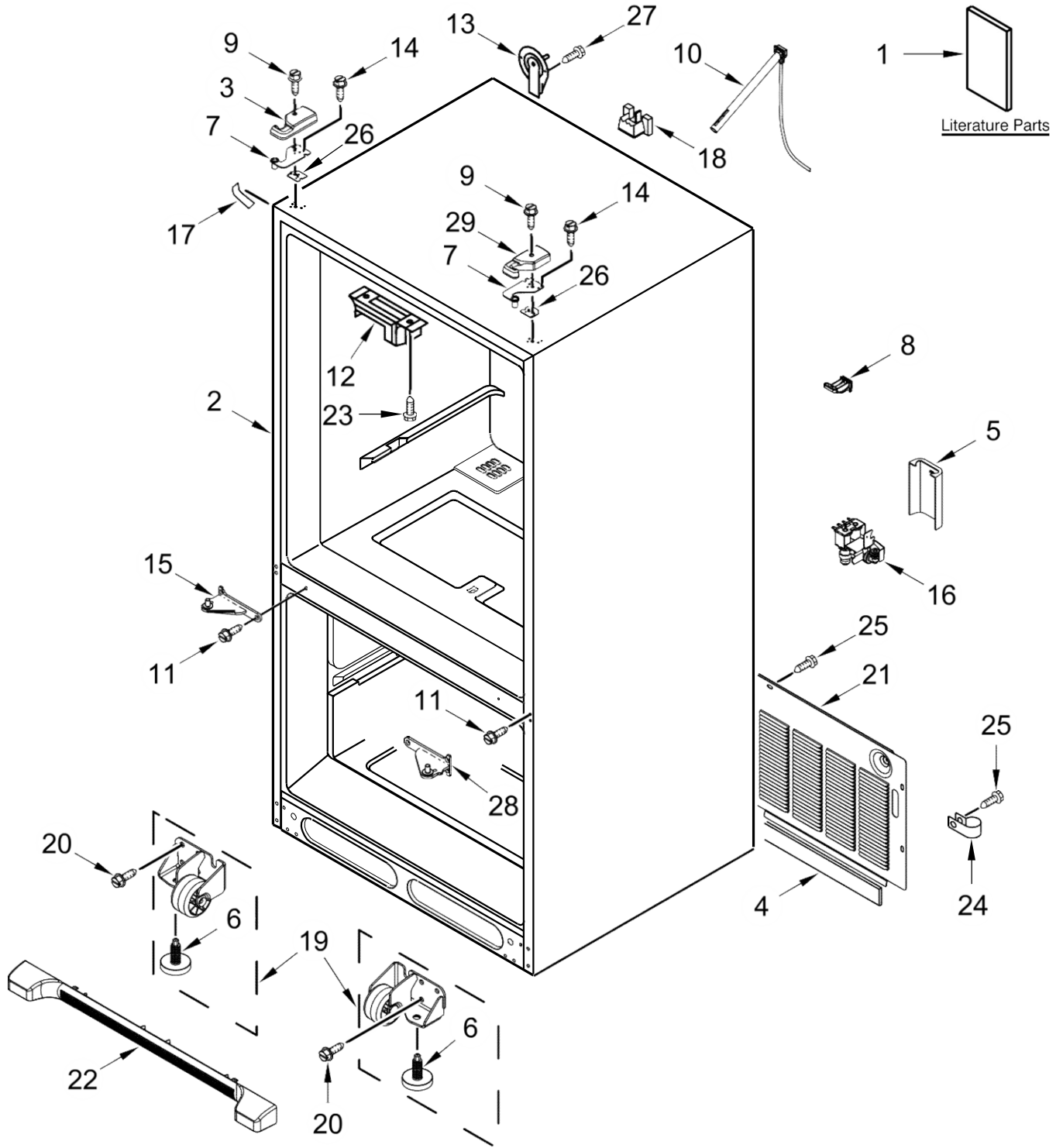
WRF535SWHZ01 (Stainless Steel)

Distribuidor Autorizado

SurteRápido.com

Venta de Refacciones  
Electrodomesticas

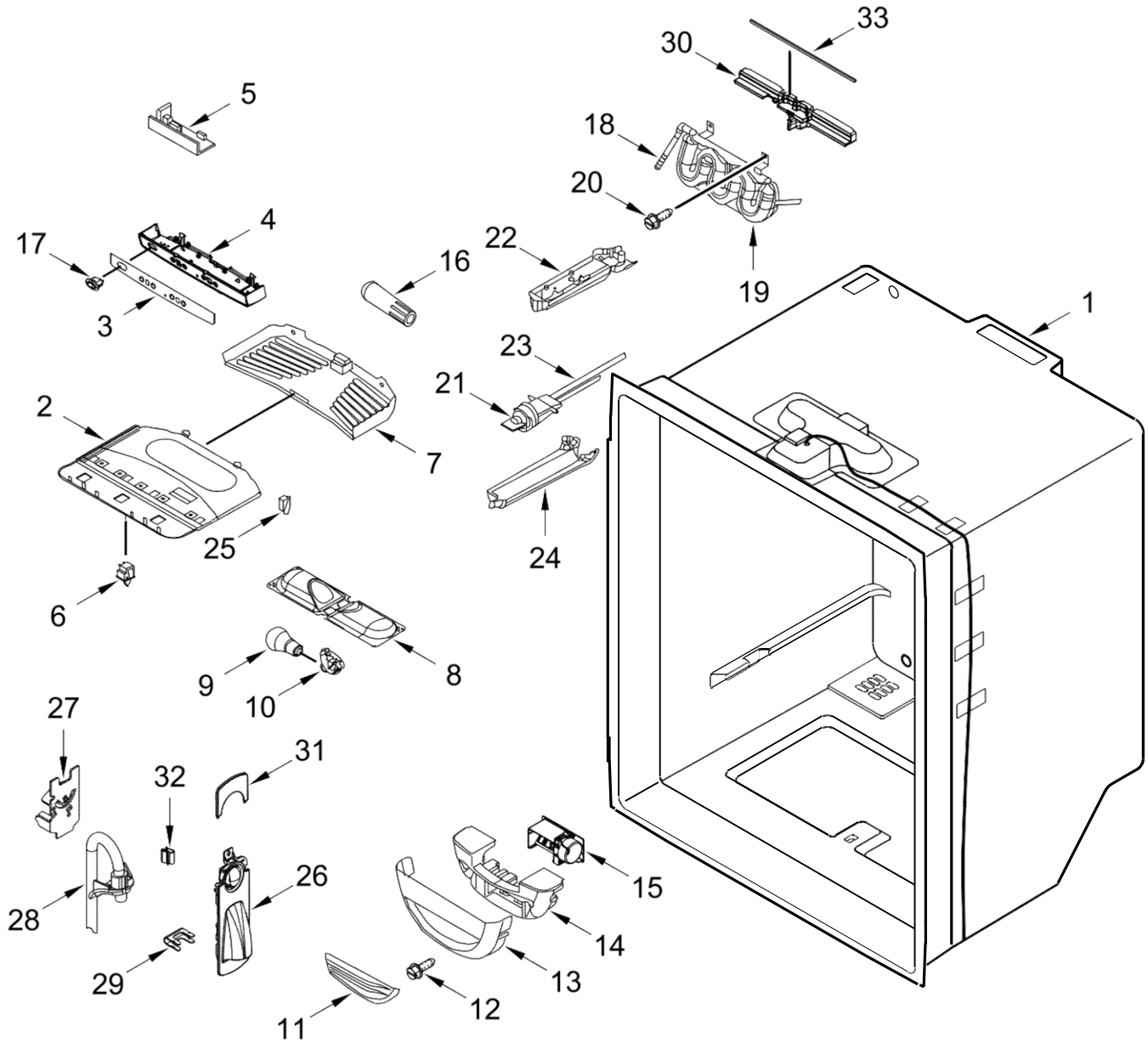
# REFRIGERADOR WRF535SWHZ01



# REFRIGERADOR WRF535SWHZ01

<u>Illus. No.</u>	<u>Part No.</u>	<u>Description</u>	<u>Illus. No.</u>	<u>Part No.</u>	<u>Description</u>	<u>Illus. No.</u>	<u>Part No.</u>	<u>Description</u>
1		Literature Parts	10	W11046934	Assembly, Fill Tube (Includes Tubing, Fill Tube Elbow, Tube Insert and Clamp)	20	W10709365	Screw
	W10597594	Use and Care Guide				21	W10211855	Cover, Unit
	W11112872	Energy Guide				22		Grille, Toe
	W10517966	Tech Sheet	11	12990101	Screw		W10534155	Grey
2		Cabinet (Not a Servicable Part)	12	12698403	Plate, Pivot	23	12990302	Screw
			13	12726003	Cover, Water Line	24	M0108107	Clamp, Tube
3		Cover, Top Hinge	14	12992403	Screw	25	12990511	Screw
	W10337648	Grey	15		Hinge, Center	26		Shim, Top Hinge
4	B5759655	Gasket		W10740150	Grey		12999501	Left Hand
5	W10208593	Guard, Dual Water Valve	16	W10420083	Valve, Water Inlet		12999502	Right Hand
			17		Cover, Corner	27	12990504	Screw
6	W10141622	Brake, Roller		12587703AP	Grey	28		Hinge, Center
7		Hinge, Top	18	W10658542	Block, Fill Tube		W10740146	Grey
	12963204ED	Left Hand	19	Assembly, RollerW10515763		29	Cover, Top Hinge12962302AP	Grey
	12963205ED	Right Hand		Left Hand W10515762	Right Hand			
8	W10528513	Sweep, Dual Tube						
9	12992602	Screw						

# REFRIGERADOR WRF535SWHZ01



# REFRIGERADOR WRF535SWHZ01

Illus.  
No.   Part No.   Description

1		Liner (Not A Serviceable Part)
2	W10464764	Module, Light
3	W10613576	Overlay, Control
4	W10464775	Module, Control
5	W10503278	Control, Electronic
6	C3680310V	Switch, Light
7	12806501	Cover, Light
8	W10443023	Housing, Light
9	W11038115	Lamp, LED
10	12570701V	Socket, Light
11	12806801	Insert, Damper Cover
12	12990604	Screw
13	12806701	Cover, Damper
14	13012402	Insulation, Damper

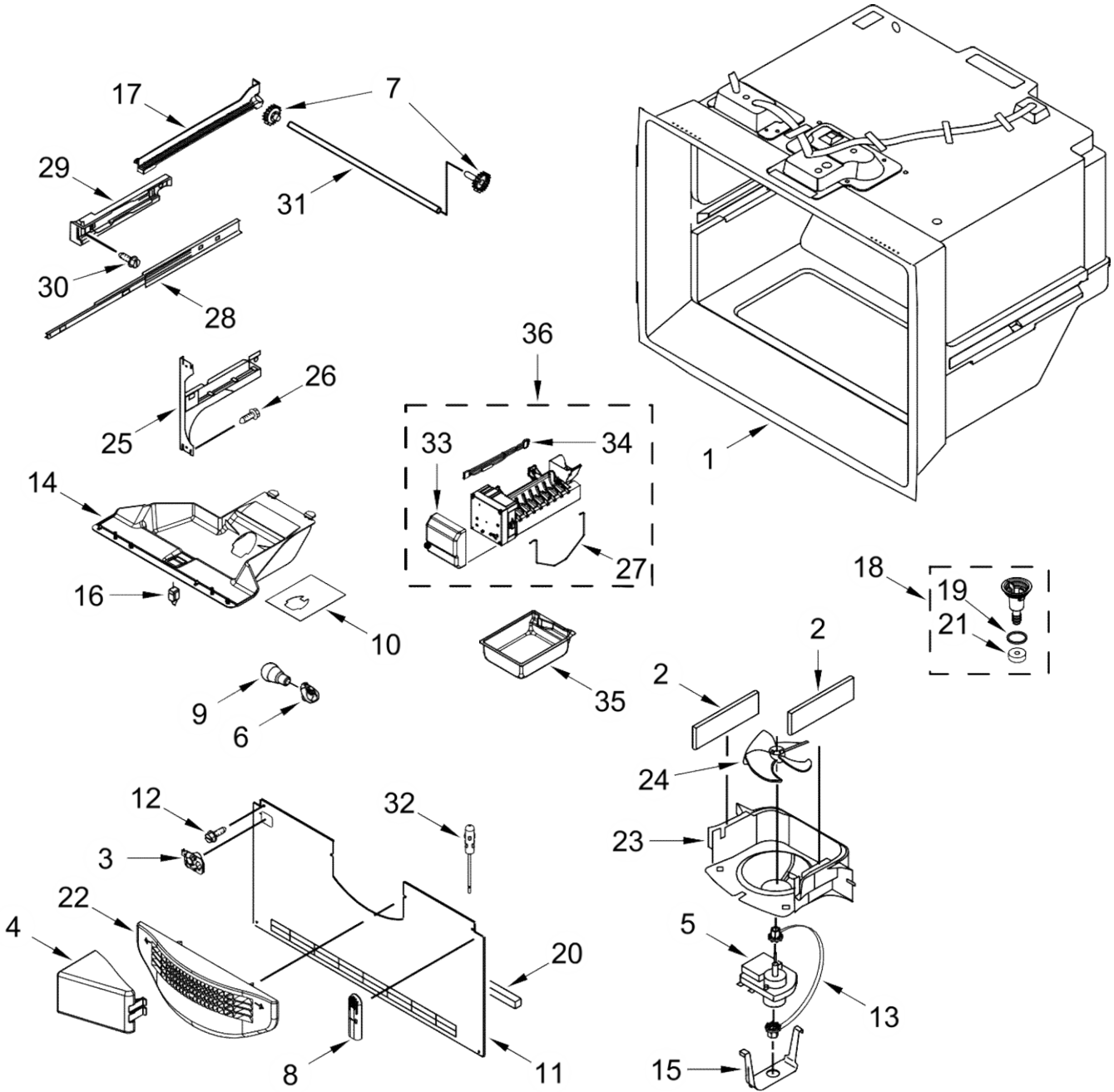
Illus.  
No.   Part No.   Description

15	W10594330	Damper, Control
16	W10735404	Filter, Water
17	12861601	Switch, Energy Saver
18	61006182	Union, Water
19	W11097710	Tank, Water
20	12990513	Screw
21	12664501SP	Cartridge, Bypass
22	12704801	Plate, Filter
23	W10609243	Head, Water Filter (Includes Bypass Cartridge)
24	12568001	Cover, Filter
25	12575501	Switch, Limit
26	W10585699	Facade, Dispenser
27	W10585699	Plate, Dispenser

Illus.  
No.   Part No.   Description

28	W11031909	Guide, Waterline
29	12251001	Clip, Water Tube
30	W10117358	Insulation, Water Tank
31	B8390302	Clip, Facade
32	12707005	Facade, Dispenser (Top)
33	10685510	Gasket, Seal
		FOLLOWING PARTS NOT ILLUSTRATED
	W10389967	Harness, Controls (Refrigerator)

# REFRIGERADOR WRF535SWHZ01



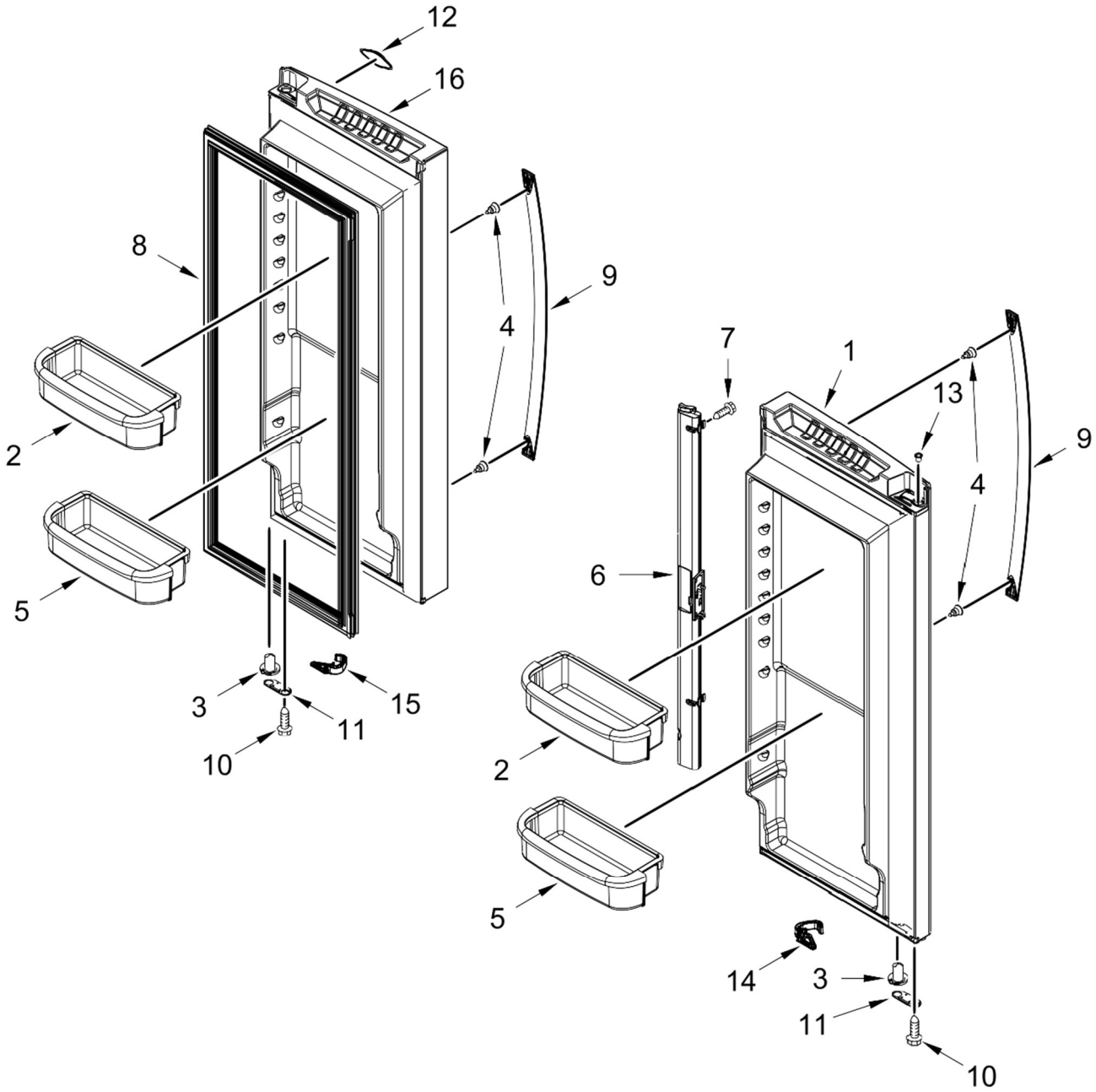
# REFRIGERADOR WRF535SWHZ01

<u>Illus. No.</u>	<u>Part No.</u>	<u>Description</u>
1		Liner (Not A Serviceable Part)
2	A3189392	Gasket, Foam
3	12932103	Guide, Fill Tube
4	W10157765	Diverter, Air
5	W10128551	Motor, Evaporator
6	12570701	Socket, Light
7	12002497	Gear
8	12815301	Cover, Thermistor
9	W10805744	Lamp, LED
10	W10277466	Foil, Housing
11	W10308416	Cover, Evaporator
12	12990511	Screw
13	W10121318	Grommet
14	W10277025	Module, Light
15	13058002	Clip, Evaporator Motor

<u>Illus. No.</u>	<u>Part No.</u>	<u>Description</u>
16	12466105	Switch, Light
17		Rail, Side
	W10516603	Left Hand
	W10516602	Right Hand
18	W10662407	Assembly, Drain Funnel
19	M0500703	Seal
20	A3189396	Gasket
21	B8381501	Gasket, Drain
22	13024803	Grille, Freezer Air
23	13057901	Shroud, Evaporator Fan
24	2169142	Blade, Fan
25		Bracket, Door
	W10330991	Left Hand
	W10330993	Right Hand

<u>Illus. No.</u>	<u>Part No.</u>	<u>Description</u>
26	12990521	Screw
27	W10202524	Arm, Shut Off
28	W10120018	Slide, Door
29		Adapter, Slide
	W10284684	Left Hand
	W10284685	Right Hand
30	12990501	Screw
31	W10802332	Shaft, Rack
32	12791409SP	Thermistor
33	W10445790	Cover, Icemaker
34	W10793621	Harness, Icemaker Wire
35	W10171529N	Pan, Ice
36	W10793298	Assembly, Icemaker (Complete)

# REFRIGERADOR WRF535SWHZ01





Distribuidor Autorizado

**SurteRápido.com**

Venta de Refacciones  
Electrodomesticas

# REFRIGERADOR WRF535SWHZ01

<u>Illus.</u> <u>No.</u>	<u>Part No.</u>	<u>Description</u>
1		Door, Refrigerator Left Hand W11254613 Stainless
2	W10289497	Bucket, Gallon
3		Closure, Door 12028505AP Grey
4	W10460893	Screw
5	W10371194	Bucket, Medium
6		Mullion, Door 12722803APN. Grey

<u>Illus.</u> <u>No.</u>	<u>Part No.</u>	<u>Description</u>
7	12990204	Screw
8		Gasket, Door W10830162 Grey
9		Handle, Door W11045530 Stainless
10	12990504	Screw
11		Stop, Door 12968202AP Grey
12	W10884773	Badge
13	12996601	Clip, Bushing

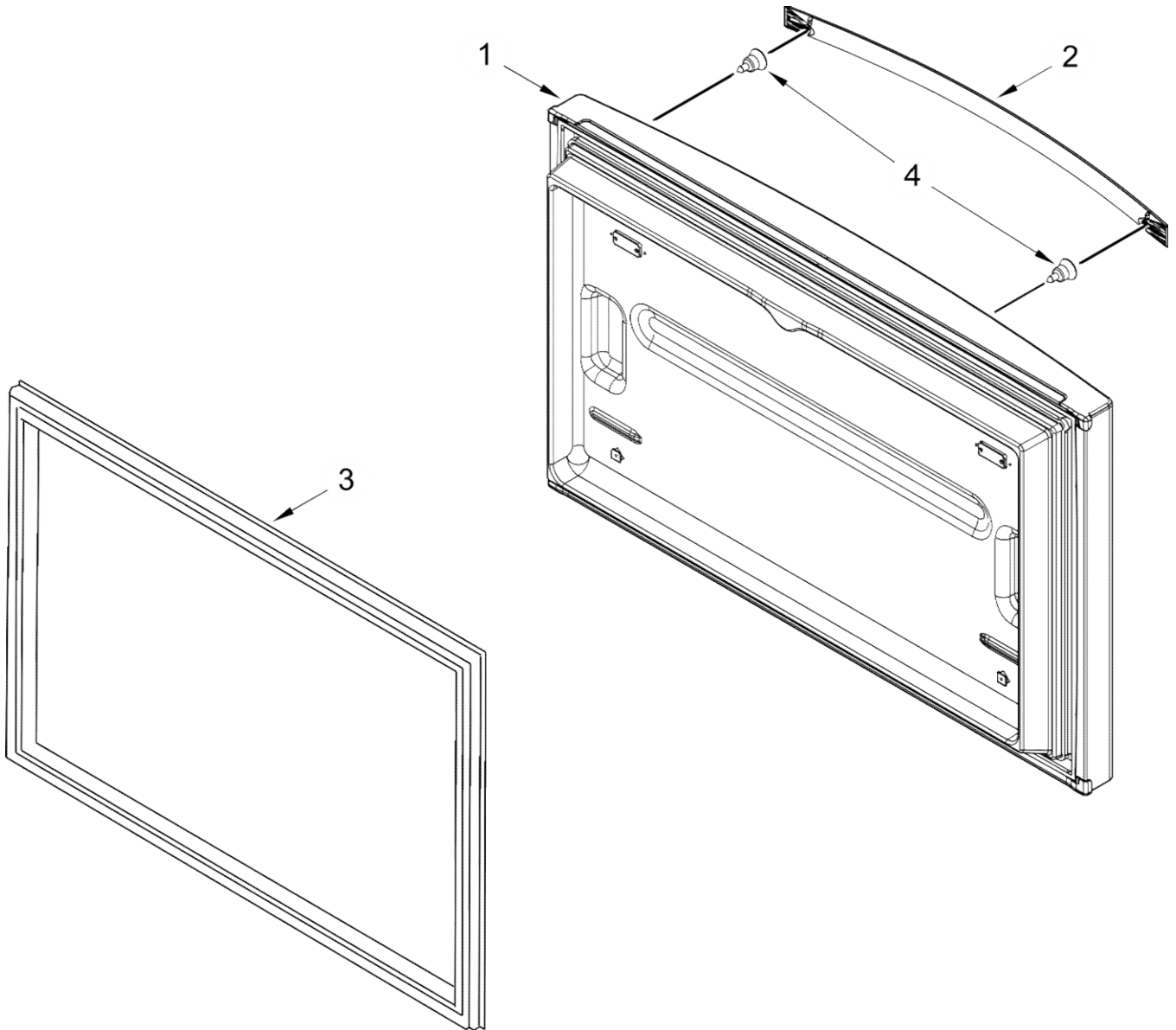
<u>Illus.</u> <u>No.</u>	<u>Part No.</u>	<u>Description</u>
14		Latch, Door Closer Left Hand W10833741 Grey
15		Latch, Door Closer Right Hand W10833739 Grey
16		Door, Refrigerator Right Hand W11254623 Stainless

Distribuidor Autorizado

**SurteRápido.com**

Venta de Refacciones  
Electrodomesticas

# REFRIGERADOR WRF535SWHZ01



Distribuidor Autorizado

**SurteRápido.com**

Venta de Refacciones  
Electrodomesticas

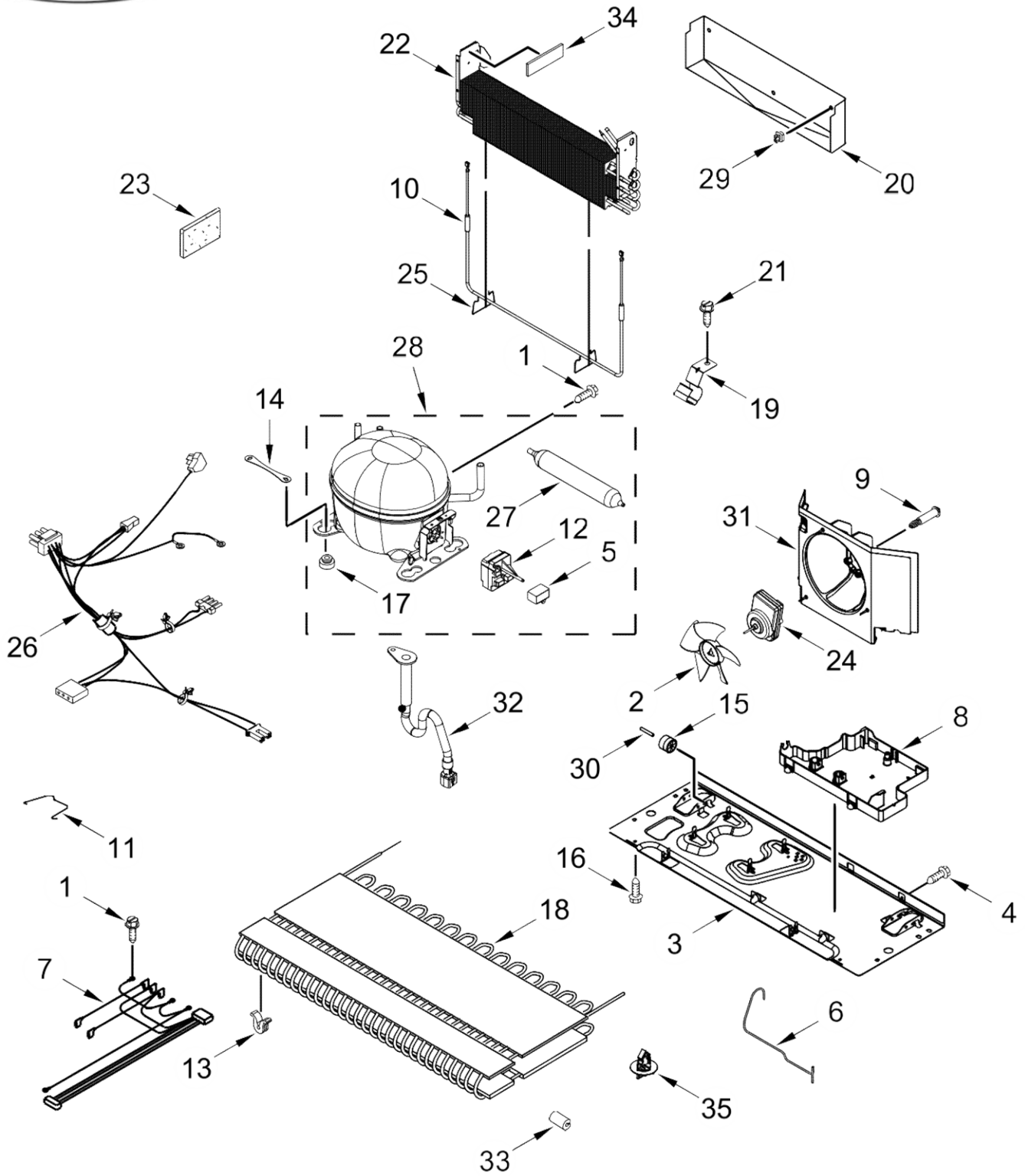
# REFRIGERADOR WRF535SWHZ01

<u>Illus.</u> <u>No.</u>	<u>Part No.</u>	<u>Description</u>
1	W11254609	Door, Freezer Stainless

<u>Illus.</u> <u>No.</u>	<u>Part No.</u>	<u>Description</u>
2	W11115761	Handle, Door Stainless

<u>Illus.</u> <u>No.</u>	<u>Part No.</u>	<u>Description</u>
3	W10443320	Gasket, Door Grey
4	W10460893	Screw

# REFRIGERADOR WRF535SWHZ01



# REFRIGERADOR WRF535SWHZ01

**Illus.**  
**No.**    **Part No.**    **Description**

1	12992301	Screw
2	12825803	Blade, Fan
3	W10480111	Basepan
4	12990511	Screw
5	W10350564	Capacitor
6	W10233569	Tube, Discharge
7	W11050969	Harness, Evaporator (Includes Heater)
8	W10655368	Pan, Drain
9	W10622701	Screw
10	12729123	Heater, Defrost
11	W10216075	Strap, Bale
12	W10796752	Device, Start
13	W10137529	Grommet, Condenser
14	W10236396	Strap, Compressor
15	12477102	Roller
16	12992101	Screw
17	10835903	Grommet

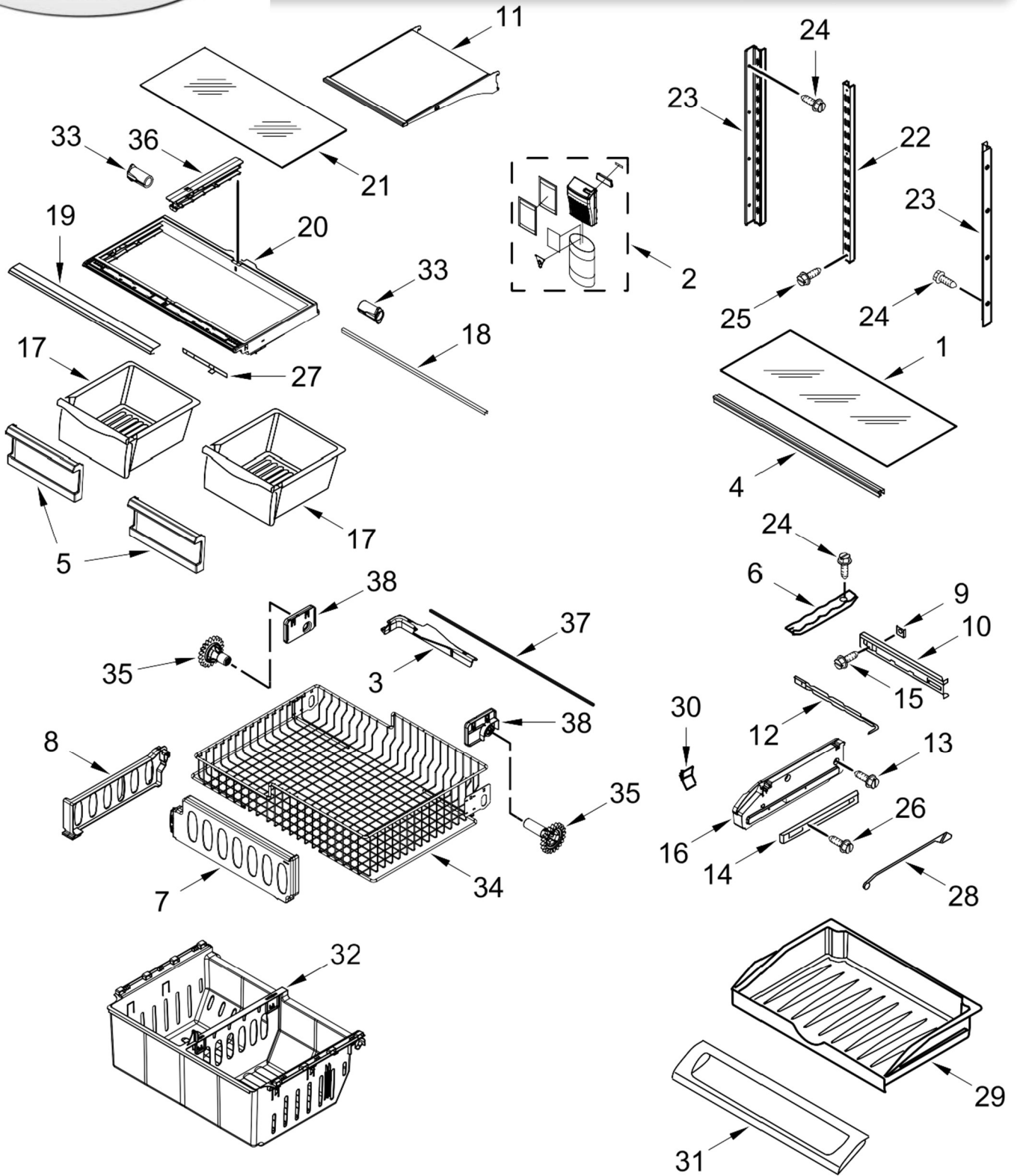
**Illus.**  
**No.**    **Part No.**    **Description**

18	W10346415	Condenser
19	W10281329	Clip, Drier
20	W10292803	Tray, Drip
21	12990701	Screw
22	W10669255	Evaporator
23	2169104	Sealer, Insulation
24	W10909377	Motor, Condenser Fan
25	10428101	Clip, Heater
26	W10679216	Harness, Unit (Includes Power Cord)
27	W10177049	Drier
28	W10879296	Compressor
29	10623002	Clip, Evaporator
30	12477202	Axle, Roller
31	W10189184	Shroud, Condenser Fan
32	W10622099	Extension, Drain Tube
33	2319835	Grommet, Condenser

**Illus.**  
**No.**    **Part No.**    **Description**

34	A3189397	Gasket, Foam
35	W10815863	Clip, Condenser
		FOLLOWING PARTS NOT ILLUSTRATED
	978025	Valve, Access (1/4")
	978026	Valve, Access (5/16")
	978027	Valve, Access (3/8")
	978029	Valve, Access (5/8")
	978030	Valve, Access (3/4")
	876764	Valve, Access (3/16")
		REFRIGERANT CHARGE
		5.00 oz. (R-134A)

# REFRIGERADOR WRF535SWHZ01



# REFRIGERADOR WRF535SWHZ01

<u>Illus. No.</u>	<u>Part No.</u>	<u>Description</u>
1	W10893772	Glass, Shelf
2	W10596756	Assembly, Produce Preserver
3	W10149389N	Lift, Bail Arm
4	W10528933	Support, Glass (Includes Pantry Brace)
5	12802602SP	Front, Crisper Pan
6	12531901	Track, Deli Drawer
7	W10171558	Divider, Basket (Upper)
8	W10241046	Divider, Basket (Upper)
9	12656901	Gasket, Pantry
10	12656202	Housing, Control
11	W11046990	Assembly, Shelf
12	12655402	Slide, Temperature Control
13	12990512	Screw
14	W10235370	Glide, Pantry

<u>Illus. No.</u>	<u>Part No.</u>	<u>Description</u>
15	12990513	Screw
16		Endcap, Pantry
	W10845509	Left Hand
	W10845508	Right Hand
17	12804601SP	Pan, Crisper
18	12642303WD	Brace, Crisper Cover
19	W10231345N	Trim, Crisper
20	W10329866	Frame, Crisper
21	12204824N	Glass, Shelf
22	W10273463	Ladder, Center
23	W10569182	Ladder, Side
24	12990513	Screw
25	W10215666	Screw
26	12990504	Screw
27	12530805SP	Slide, Humidity Control
28	12655304	Bar, Control
29	12731302	Drawer, Pantry
30	12655204	Knob, Temperature Control
31	12656813	Lid, Pantry

<u>Illus. No.</u>	<u>Part No.</u>	<u>Description</u>
32	W10293682	Bin, Lower
33	13062602	Support, Crisper Frame
34	W11115256	Basket, Freezer (Upper)
35		Gear, Spur
	W10474716	Left Hand
	W10474715	Right Hand
36	W10326469N	Rail, Center Crisper
37	W10802333	Shaft, Rack
38		Mount, Gear
	W10348259	Left Hand
	W10348260	Right Hand

# OPTIONAL PARTS

## PAINT, TOUCH-UP (1/2OZ.)

<u>Illus.</u> <u>No.</u>	<u>Part No.</u>	<u>Description</u>
	72017	White
	72032	Black
	W10917540	Midnight Grey
	511873	White Porcelain (2 oz.)
	4392899	Biscuit/Bisque

## PAINT, PRESSURIZED SPRAY (12 OZ.)

<u>Illus.</u> <u>No.</u>	<u>Part No.</u>	<u>Description</u>
	350930	White
	350939	Enamel, Black
	285006	Black
	350942	White Primer
	4392901	Biscuit/Bisque

## PAINT, BULK (1 QT.)

<u>Illus.</u> <u>No.</u>	<u>Part No.</u>	<u>Description</u>
	799344	White (Uncut)

## MISCELLANEOUS

<u>Illus.</u> <u>No.</u>	<u>Part No.</u>	<u>Description</u>
	212643	Sealer, Gum (4 Feet)
	479502	Tape, Vinyl (3/4 x 108")
	876370	Insulation (2 Pieces, 3" x 24" x 48")
	876305	Insulation Kit (14 Pieces, 3" x 24" x 48")
	978941	Insulation, Fiberglass (63 1/2" x 35 1/2" x 2 5/8")
	876029	Kit, Foam Slab (30" x 32 1/2" x 1 1/2")
	505587	Sealer, Mastic (1 Qt)
	503695	Cork, Sealer
	20000008	Cleaner, Stainless Steel
	542638	Grease, Silicone (1/2 Oz.)
	542639	Cement, Alumilastic (1 1/4 Oz.)
	833938	Kit, Terminal Connector
	8003RP	Kit, Water Inlet

## TORX SCREW WRENCH

<u>Illus.</u> <u>No.</u>	<u>Part No.</u>	<u>Description</u>
	1117510	Torx Key