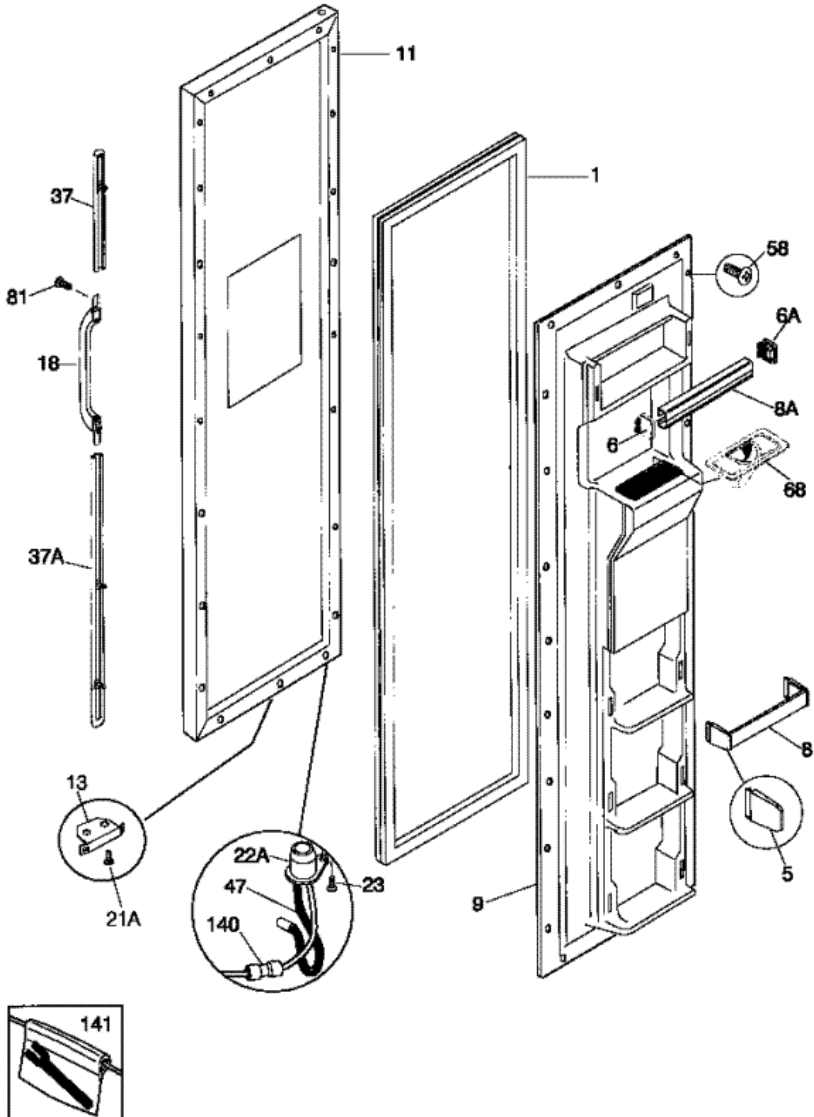


Distribuidor Autorizado

SurteRápido.com

Venta de Refacciones
Electrodomesticas

WRS20WRHW1 FREEZER DOOR

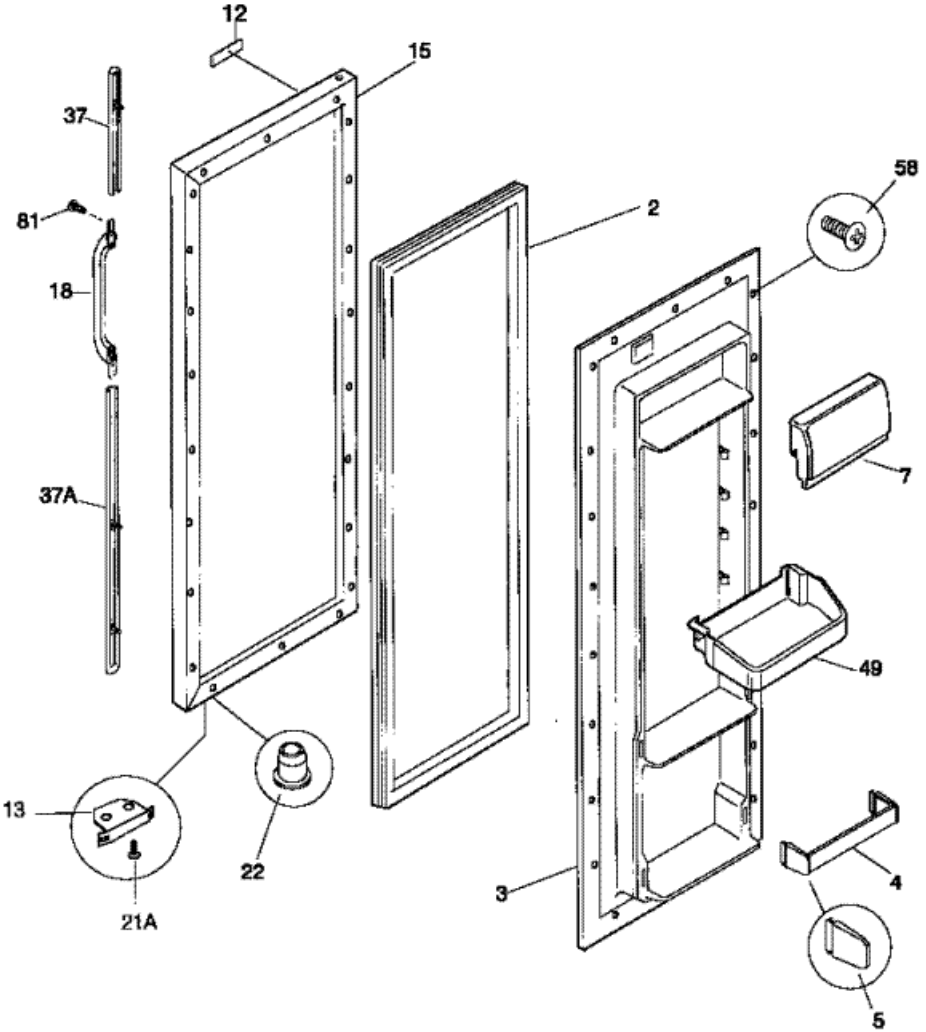




WRS20WRHW1 FREEZER DOOR

1	5303288954	GASKET-FRZR DOOR,WHITE ,MAGNETIC (S/P)
5	215473602	SUPPORT-DOOR RACK,RH/LH
6	3206166	SUPPORT-DOOR RACK,LH
6	3206165	SUPPORT-DOOR RACK,RH
8	215472200	RACK-DOOR,W/END CAPS ,(5)
8	5303301132	RACK-DOOR DESCONTINUADO
9	218748601	PANEL-INNER DOOR,FRZR DESCONTINUADO
11	5303918097	PANEL-EXT FRZR DOOR,WHITE (S/P)
13	5303289522	DOOR STOP (S/P)
18	218668401	HANDLE-DOOR,WHITE (S/P)
21	218578600	SCREW-DOOR STOP MTG,PHL TRUSS HD (S/P)
22	215615300	BUSHING-DOOR,BRONZE (S/P)
23	5303001020	SCREW,CR FLAT HEAD ,8-32D X 1/2 (S/P)
37	215867083	TRIM-HANDLE,WHITE ,UPPER (S/P)
37	215782300	LOCK-HANDLE TRIM,SNAP-IN
37	215867082	TRIM-HANDLE,WHITE ,LOWER (S/P)
47	218922901	HARNESS-WIRING,FRZR DOOR (S/P)
58	218781101	SCREW,PAN HEAD ,8-18 X 0.625 (S/P)
68	218020600	CHUTE-ICE (S/P)
81	5308016566	SCREW,HEX WSHR HD ,8-15A X 0.62 (S/P)
140	218922801	ELBOW-WATER TUBE (S/P)
141	218975801	TOOL-PUSH CONNECTOR (S/P)

**WRS20WRHW1 REFRIGERATOR
DOOR**





WRS20WRHW1 REFRIGERATOR DOOR

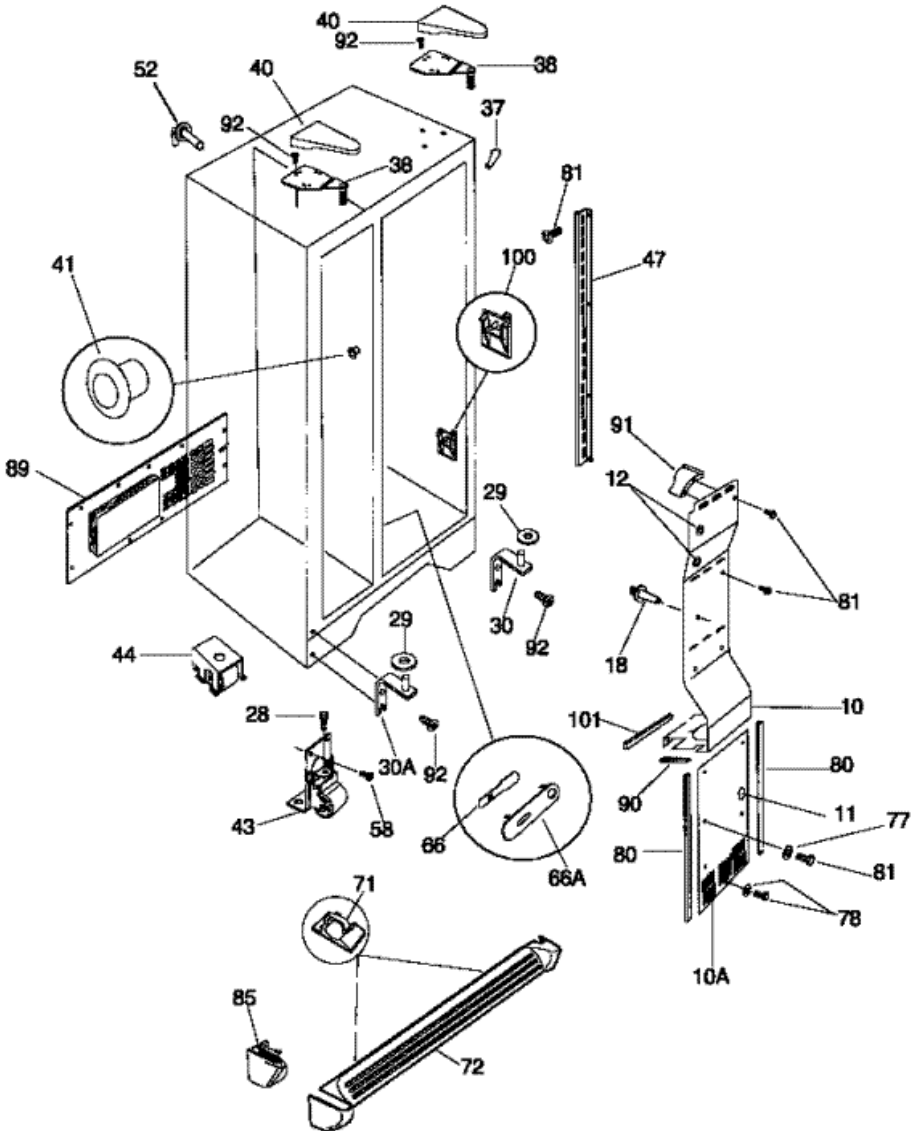
2	5303288951	GASKET-REFR DOOR,WHITE ,MAGNETIC (S/P)
3	218749301	PANEL-INNER DOOR,REFR DESCONTINUADO
4	215472100	RACK-DOOR,W/END CAPS
5	215267701	SUPPORT-DOOR RACK,``2-LITER`` ,RH/LH
7	215058111	DOOR-DAIRY,13`` WIDE (S/P)
12	215490701	FRAME-NAMEPLATE,WHITE DESCONTINUADO
13	5303289522	DOOR STOP (S/P)
15	5303917881	PANEL-REFR DOOR,WHITE ,W/FOAM INSULATN (S/P)
18	218668401	HANDLE-DOOR,WHITE (S/P)
21	218578600	SCREW-DOOR STOP MTG,PHL TRUSS HD (S/P)
22	5303289320	BEARING-HINGE (S/P)
37	215867082	TRIM-HANDLE,WHITE ,LOWER (S/P)
37	215867083	TRIM-HANDLE,WHITE ,UPPER (S/P)
37	215782300	LOCK-HANDLE TRIM,SNAP-IN
49	5303319068	BIN-DOOR,GALLON (S/P)
58	218781100	SCREW,PAN HEAD ,8-18 X 0.625 (S/P)
81	5308016566	SCREW,HEX WSHR HD ,8-15A X 0.625 (S/P)

Distribuidor Autorizado

SurteRápido.com

Venta de Refacciones
Electrodomesticas

WRS20WRHW1 CABINET





WRS20WRHW1 CABINET

10	218748901	COVER-AIR DUCT (S/P)
10	218751301	COVER-EVAP COIL,LOWER (S/P)
11	5303208309	PLUG-HOLE,FACTORY TEST (S/P)
12	5303001147	PLUG-HARNESS HOLE (S/P)
18	5303289043	SUPPORT-AIR DUCT CVR,2.55` LONG (S/P)
28	5303289062	BOLT-ROLLER ADJ,HEX HEAD ,5/16-24 X 7/8 (S/P)
29	215314301	WASHER,.40 X .75 X .06 ,NYLON (S/P)
30	218993701	BRACKET-LOWER HINGE,RH ,W/HINGE PIN (S/P)
37	5303321081	TRIM-CABINET CORNER,WHITE (S/P)
40	5303318773	COVER-UPPER HINGE,WHITE (S/P)
41	5303001609	GROMMET,SHELF/ROD MTG ,RH (S/P)
43	218615300	ROLLER ASSY,FRONT ,(2) (S/P)
44	218738300	ROLLER ASSY,REAR ,(2) (S/P)
47	218659500	CHANNEL-SHELF MTG,SIDE ,(2)
52	215454600	TUBE-WATER INLET (S/P)
58	5308002748	SCREW,HEX WSHR HD ,8-15A X 0.500 (S/P)
66	215050201	DAMPER-MEAT KEEPER DESCONTINUADO
66	218171301	COVER-MEAT KPR DMPR (S/P)
71	218515401	CLIP-GRILLE (S/P)
72	218359613	GRILLE/KICKPLATE,WHITE (S/P)
77	5303001216	WASHER-NYLON,3/16 X 5/8 OD (S/P)
78	5303274237	SCREW-BRACKET,HEX WSHR HD (S/P)
80	218249802	SEAL-COIL COVER,(2) (S/P)
81	5308016566	SCREW,HEX WSHR HD ,8-15A X 0.625 (S/P)
85	218922701	COVER-LOWER HINGE,WHITE (S/P)
89	215741401	COVER-MACHINE COMPT DESCONTINUADO
90	215022602	SEAL-FOAM (S/P)
91	218769900	DEFLECTOR-AIR,AIR DUCT COVER (S/P)
92	5303001479	SCREW-HINGE MTG,HEX HD ,1/4-20 X 0.875 (S/P)
101B	218663103	GASKET-AIR DUCT CVR (S/P)
38B	218215243	BRACKET-UPPER HINGE,WITH CLOSER (S/P)

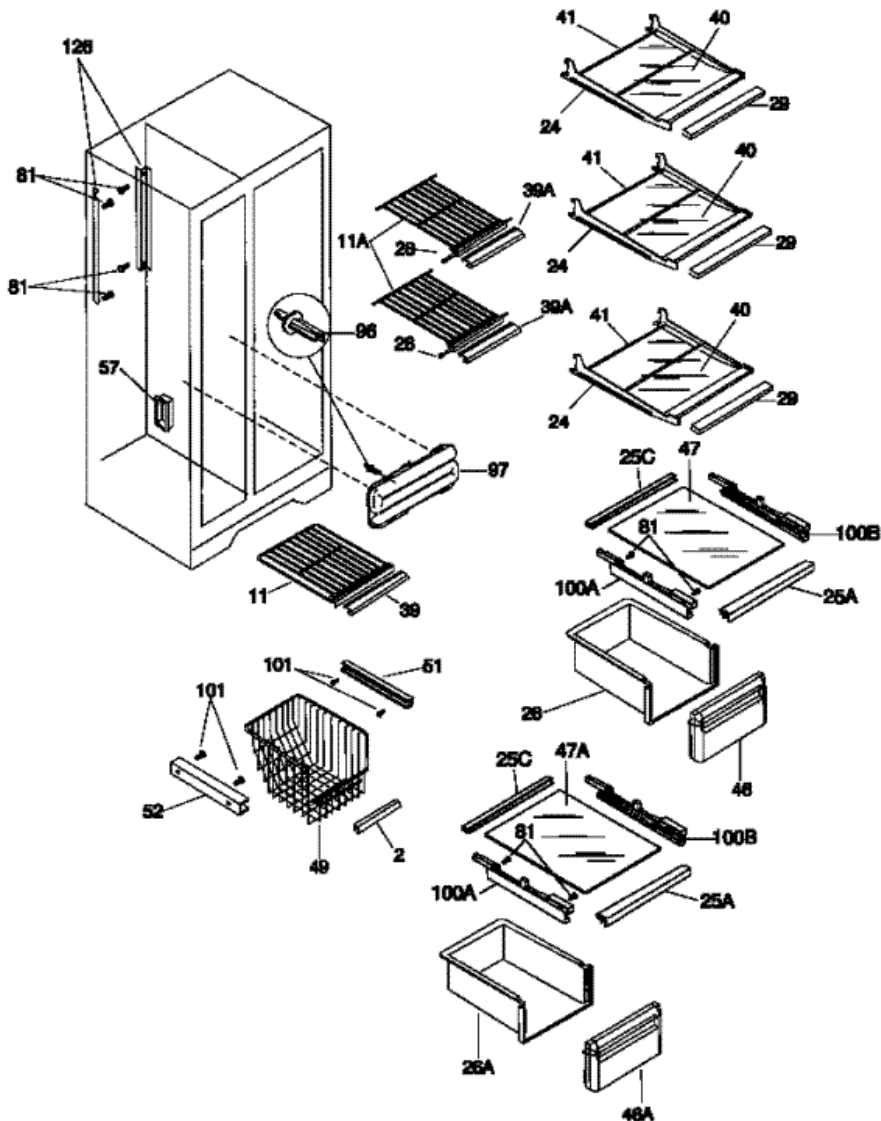
Distribuidor Autorizado

SurteRápido.com

Venta de Refacciones
Electrodomesticas



WRS20WRHW1 SHELVES





WRS20WRHW1 SHELVES

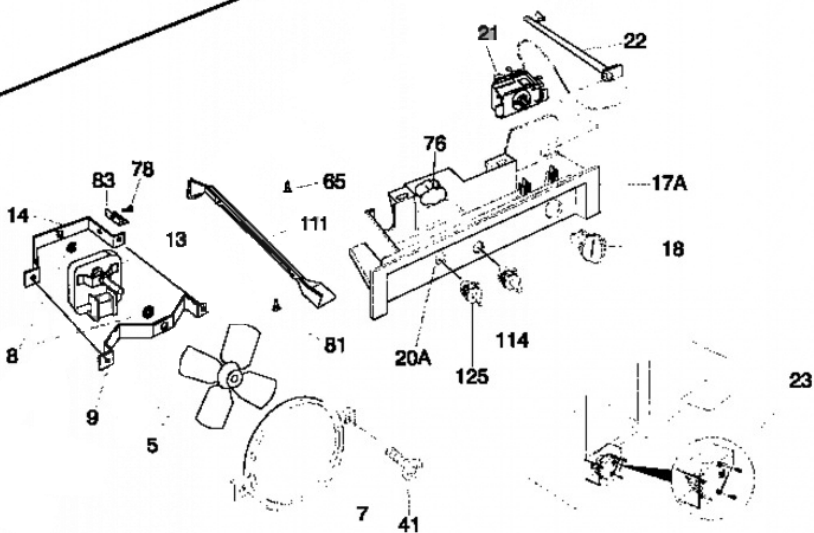
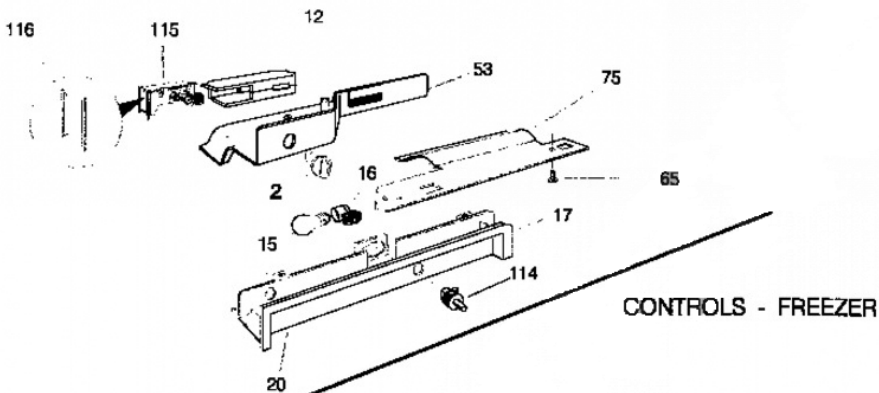
2	5303300707	TRIM-BASKET (S/P)
11	218298005	SHELF-FREEZER,SLIDING ,WIRE (S/P)
11	5304405989	SHELF-FREEZER (S/P)
24	215919136	FRAME-REFR SHELF,CANTILEVER DESCONTINUADO
25	218015301	TRIM-STORAGE PAN CVR,SNAP-ON ,FRONT (S/P)
25	218015401	TRIM-STORAGE PAN CVR,SNAP-ON ,REAR (S/P)
26	5303288971	PAN-STORAGE,UPPER (S/P)
26	5303288968	PAN-STORAGE,LOWER (S/P)
28	8013638	END CAP-SHELF,PROTECTOR (S/P)
29	215919413	TRIM-REFR SHELF,FRONT ,(3) (S/P)
39	215217596	TRIM-FRZR SHELF (S/P)
39	215217597	TRIM-FRZR SHELF (S/P)
40	218498194	GLASS-REFR SHELF (S/P)
41	215919813	TRIM-REFR SHELF,REAR ,(3) (S/P)
46	5303323271	FRONT-STORAGE PAN,UPPER DESCONTINUADO
46	5303317753	FRONT-STORAGE PAN,LOWER (S/P)
47	218390586	INSERT-PAN COVER,GLASS ,CLEAR ,WHITE (S/P)
47	215723551	INSERT-PAN COVER,GLASS ,CLEAR ,LOWER (S/P)
49	5303288957	BASKET-SLIDING (S/P)
51	5303288960	HANGER-BASKET,RH
52	215162501	HANGER-BASKET,LH,WITH/SPRING
57	5303271653	FERRULE-INNER (S/P)
81	5308016566	SCREW,HEX WSHR HD ,8-15A X 0.625 (S/P)
96	215192600	SUPPORT-WATER TANK
97	5303918258	WATER TANK (S/P)
101	215005000	SCREW,HEX WSHR HD (S/P)

Distribuidor Autorizado

SurteRápido.com

Venta de Refacciones
Electrodomesticas

WRS20WRHW1 CONTROLS





WRS20WRHW1 CONTROLS

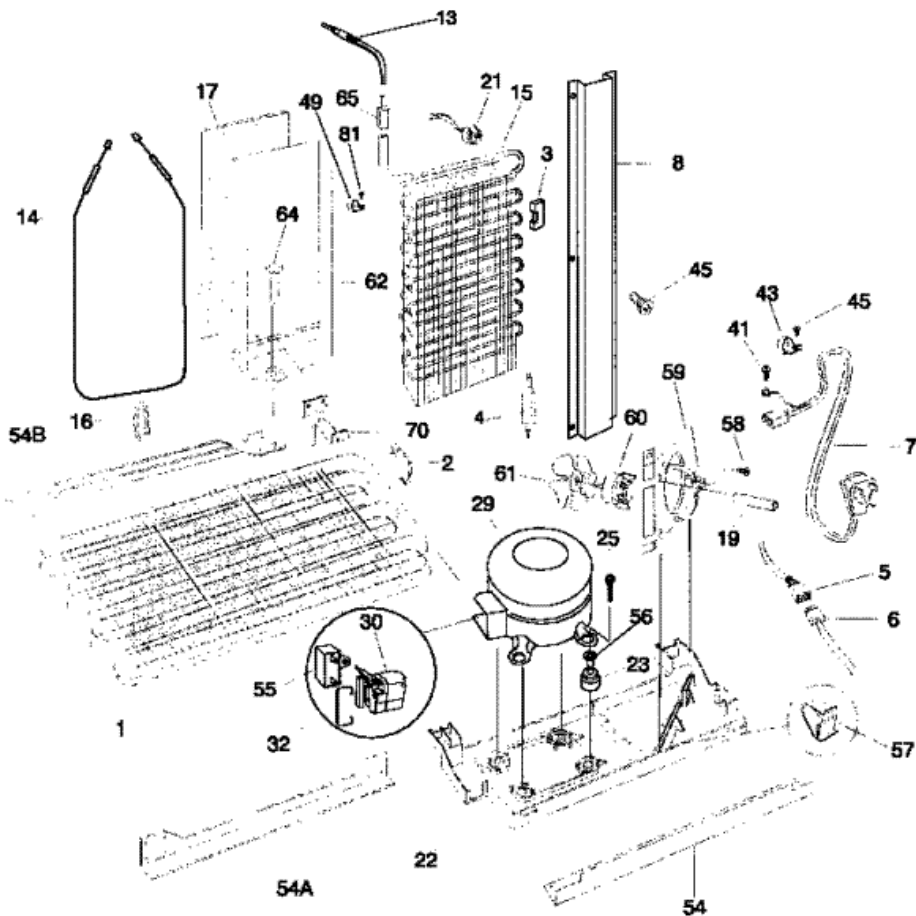
2	215028605	KNOB-DAMPER CONTROL (S/P)
5	5308000010	FAN BLADE,RED (S/P)
7	5308000124	RING-FAN ORIFICE (S/P)
8	5300157666	BUSHING-MOTOR MTG,(2) (S/P)
9	5304414684	BRACKET-MOTOR MTG,FRONT (S/P)
12	215809600	DIFFUSER-AIR DESCONTINUADO
13	5303299165	MOTOR-EVAP FAN (S/P)
14	5303322992	BRACKET-MOTOR MTG,REAR (S/P)
15	5303013071	LIGHT BULB/LAMP,40 W (S/P)
16	241559801	SOCKET-LIGHT/LAMP (S/P)
17	5303296808	CONTROL BOX,REFR (S/P)
18	215051008	KNOB-TEMP CONTROL (S/P)
20	5303310473	LABEL-CONTROL BOX,REFR (S/P)
20	5303323262	LABEL-CONTROL BOX,FRZR (S/P)
21	5303300027	CONTROL-TEMPERATURE (S/P)
22	5303319683	HOUSING-TEMP SENSOR,PLASTIC (S/P)
23	215846602	TIMER-DEFROST
41	5308000039	SCREW,HEX WSHR HD (S/P)
53	215809505	BOX-DAMPER CONTROL (S/P)
65	5303001361	PIN-MOUNTING,PUSH-IN ,PLASTIC (S/P)
75	218465101	SHIELD-LIGHT,REFR (S/P)
76	218225800	COVER-LIGHT SOCKET (S/P)
78	5303274237	SCREW-BRACKET,HEX WSHR HD (S/P)
81	5308016566	SCREW,HEX WSHR HD ,8-15A X 0.625 (S/P)
83	5308000107	BRACKET-CONNECTOR (S/P)
111	5303289024	WIREWAY,FRZR (S/P)
114	5303289051	SWITCH-LIGHT/LAMP,WHITE (S/P)
115	215011503	DAMPER ASSY,W/SEAL (S/P)
116	215011400	SEAL-DAMPER,FOAM (S/P)
125	215334201	SWITCH-AUGER KILL,WHITE (S/P)
17B	215188300	SCREW-CONTROL BOX MTG,HEX HEAD , (S/P)
17A	5303321928	CONTROL BOX,FRZR (S/P)

Distribuidor Autorizado

SurteRápido.com

Venta de Refacciones
Electrodomesticas

WRS20WRHW1 SYSTEM





WRS20WRHW1 SYSTEM

1	5304439515	CONDENSER (S/P)
2	5303289029	CLIP-COND MTG,(4) (S/P)
3	218679603	BLOCK-EVAP COIL,STYROFOAM ,(2) (S/P)
4	5303305677	DRIER-FILTER,R134A SYSTEM (S/P)
5	218646100	HARNESS-WIRING,MAIN (S/P)
6	218897101	HARNESS-WIRING,MACHINE COMPT (S/P)
7	215459201	CORD-ELECTRIC POWER (S/P)
8	218803400	COVER-WIRING (S/P)
13	215006701	HEAT EXCHANGER,SUCTION LINE (S/P)
14	218657301	HEATER-DEFROST
15	218691302	EVAPORATOR,R134A SYSTEM (S/P)
16	5308000110	STRAP-EVAP/HEATER,ALUMINUM ,(2) (S/P)
17	5303289042	INSULATOR-EVAP DESCONTINUADO
19	218631200	TUBE,RUBBER DESCONTINUADO
21	5303917954	THERMOSTAT-DEFROST
22	5304460067	BASE-COMPRESSOR MTG,(DRAIN PAN) (S/P)
23	218513300	GROMMET-COMPR MTG,(4) (S/P)
25	218773500	SCREW-COMPRESSOR MTG, (S/P)
29	5304443725	COMPRESSOR,R134A ,W/O ELECTRICALS (S/P)
30	218721101	STARTER/OVERLOAD ASSY
32	218740800	WIRE-BALE (S/P)
41	5308000039	SCREW,HEX WSHR HD (S/P)
43	5308000133	CLAMP,NYLON ,.75 OD TUBE (S/P)
45	218769200	SCREW,HX WSHR HD SPEC DESCONTINUADO
49	215506900	BRACKET-EVAP MTG (S/P)
54	5303289027	RAIL-CABINET BASE,REAR (S/P)
54	5303289292	RAIL-CABINET BASE,FRONT (S/P)
54	5303289311	RAIL-COMPR SUPPORT (S/P)
55	218909901	CAPACITOR-RUN,220 VAC (S/P)
56	218769300	INSERT-COMPRESSOR MTG (S/P)
57	218247300	CLIP-WIRING HARNESS (S/P)
58	215004600	SCREW-COND FAN MTR (S/P)
59	5303289031	SHROUD-COND FAN MTR (S/P)

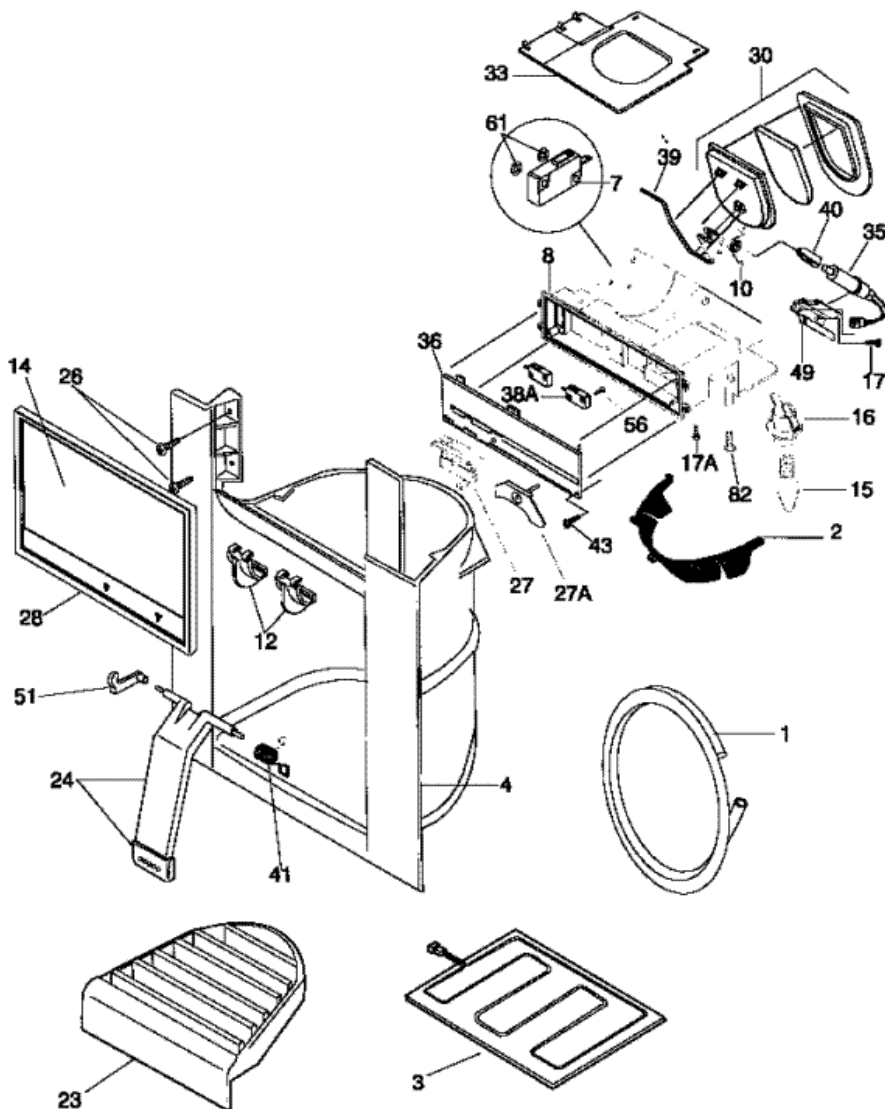
60	215501901	MOTOR-CONDENSER FAN (S/P)
61	5303289032	BLADE-COND FAN DESCONTINUADO
62	215048201	TROUGH-DRAIN,W/SHIELD ASSY (S/P)
64	5303289063	TUBE-DRAIN DESCONTINUADO
65	5303289301	SPACER-TUBE (S/P)
70	5303289041	BRACKET-EVAP/CVR MTG (S/P)
81	5308016566	SCREW,HEX WSHR HD (S/P)

Distribuidor Autorizado

SurteRápido.com

Venta de Refacciones
Electrodomesticas

WRS20WRHW1 ICE DISPENSER





WRS20WRHW1 ICE DISPENSER

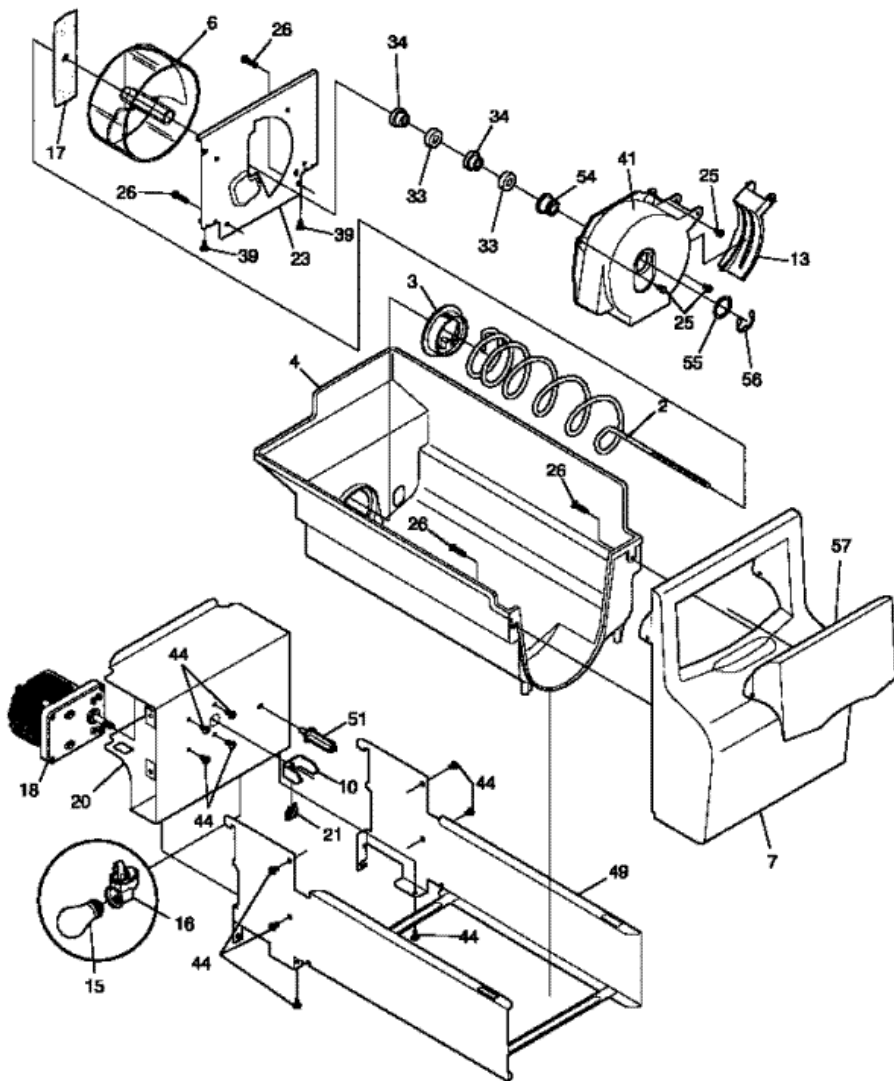
1	5318582501	TUBE-WATER INLET,93` ,PLASTIC (S/P)
2	218505301	DEFLECTOR-ICE DISP,WHITE DESCONTINUADO
3	215484300	HEATER-DOOR HOUSING (S/P)
4	215922301	HOUSING-DISPENSER,WHITE (S/P)
7	5303917595	SWITCH-ACTUATOR,MICRO (S/P)
8	218835701	MODULE-DISPENSER (S/P)
10	218209800	SPRING,DISPENSER DOOR (S/P)
12	218845901	KNOB-SELECTOR,WHITE (S/P)
14	218416148	LABEL-MODULE COVER,WHITE (S/P)
15	218284900	LIGHT BULB/LAMP,4 W ,115 V (S/P)
16	215284900	SOCKET-LIGHT/LAMP (S/P)
17	215794400	SCREW,6 X 1/4 (S/P)
23	215447001	DRIP TRAY,WHITE (S/P)
24	5303319469	ACTUATOR,WHITE (S/P)
27	218432600	CAM-SLIDE (S/P)
27	218814901	ROCKER-SWITCH (S/P)
28	218713101	COVER-MODULE,WHITE (S/P)
30	5304402155	DOOR ASSY-ICE CHUTE,W/GASKET,INSUL (S/P)
33	218870201	HEATER-DISP THROAT (S/P)
35	218740003	HEAT MOTOR,115 V
36	218835601	COVER-SLCTR SWITCH,ICE DISPENSER (S/P)
38	218479900	SWITCH-MICRO,SINGLE POLE (S/P)
39	5304401778	WIRE-ICE DOOR
40	218284500	YOKE-HEAT MOTOR (S/P)
41	215917800	SPRING-ACTUATOR
43	5303001083	SCREW,TW HX CR PAN HD ,8-16 X 0.500 (S/P)
49	215794000	BRACKET-HEAT MOTOR (S/P)
51	215922200	CAM-SWITCH
56	218434300	SCREW-MICRO SWITCH,PAN HEAD (S/P)
61	215766000	RING-RETAINER,MICRO SWITCH (S/P)
82	215296300	SCREW,PLASK H/L ,6 X 3/8 (S/P)
17A	215840700	SCREW,TRUSS HEAD ,6-20 X 3/8 (S/P)
17B	215923400	WASHER-FLAT (S/P)

Distribuidor Autorizado

SurteRápido.com

Venta de Refacciones
Electrodomesticas

WRS20WRHW1 ICE CONTAINER





WRS20WRHW1 ICE CONTAINER

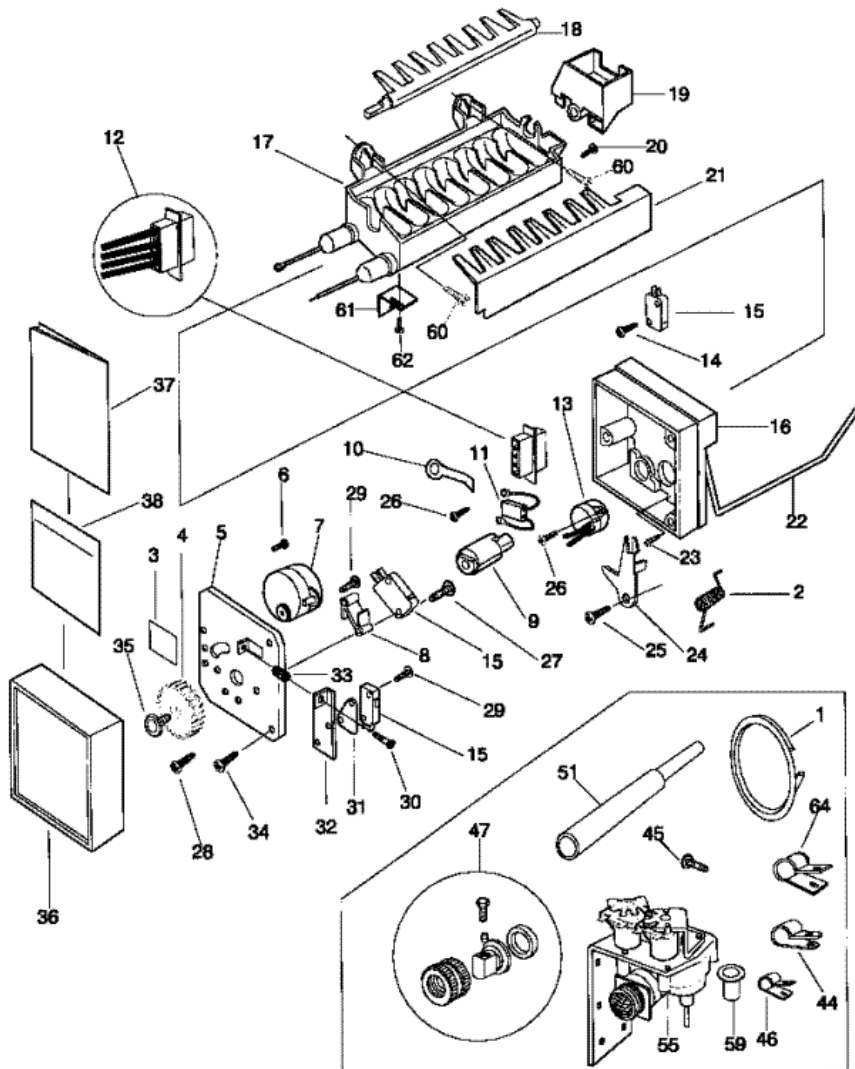
2	241716101	AUGER-ICE (S/P)
3	241685201	CAM-DRIVE (S/P)
4	241734001	CONTAINER-ICE (S/P)
6	241685101	DRUM-ICE DISP
7	241734201	FRONT-ICE CONTAINER (S/P)
10	241726501	BAR-DRIVE (S/P)
13	241885001	GATE (S/P)
15	5303013071	LIGHT BULB/LAMP,40 W (S/P)
16	241559801	SOCKET-LIGHT/LAMP (S/P)
17	241684501	DRIVE BLADE (S/P)
18	218815702	MOTOR-AUGER (S/P)
20	5304407106	COVER-MOTOR (S/P)
21	215285100	NUT-DRIVE (S/P)
23	241684001	PLATE-FRONT (S/P)
25	5304404362	SCREW (S/P)
26	215503200	SCREW,CR PAN HD ,10-16 X 0.500 (S/P)
33	241684801	SPACER (S/P)
34	241689801	SPACER (S/P)
39	5304404365	SCREW (S/P)
41	241885001	HOUSING-CRUSHER (S/P)
44	218359200	SCREW,PAN HEAD ,8-32 X 0.250 DESCONTINUADO
49	5304404329	RAIL ASSY DESCONTINUADO
51	241676301	ROTATION STOP (S/P)
54	241685001	NUT-AUGER (S/P)
55	241690306	WASHER (S/P)
56	241690201	E-RING (S/P)
57	241734101	DOOR-ACCESS (S/P)

Distribuidor Autorizado

SurteRápido.com

Venta de Refacciones
Electrodomesticas

WRS20WRHW1 ICE MAKER





WRS20WRHW1 ICE MAKER

1	5318582501	TUBE-WATER INLET,93` ,PLASTIC (S/P)
2	5304420650	SPRING,SHUT-OFF ARM (S/P)
3	3206299	PLATE-I.D. (S/P)
4	5304456658	GEAR (S/P)
5	3206303	PLATE-MOUNTING (S/P)
6	3206305	SCREW-GROUND WIRE,8-32 X 1/4 (S/P)
7	3206306	MOTOR-ICE MAKER (S/P)
8	5304456661	SPACER-HOLDING SW (S/P)
9	3206313	CAM (S/P)
10	3206315	CLAMP (S/P)
11	3206319	THERMAL CUTOFF,ICEMAKER (S/P)
12	3206349	HARNESS-WIRING,IM INTERNAL (S/P)
13	3206322	THERMOSTAT ASSY,ICE MAKER (S/P)
14	3206323	SCREW-SWITCH MTG,4-24 X 3/4 (S/P)
15	5304456667	SWITCH,(3) (S/P)
16	3206326	SUPPORT (S/P)
17	5303320545	MOLD-ICE MAKER,RADIUS CUBE (S/P)
18	5304456670	EJECTOR (S/P)
19	3206330	BEARING & INLET (S/P)
20	3206331	SCREW,8-18 X 0.375 ,(2) (S/P)
21	3206332	ICE STRIPPER (S/P)
22	5304456673	ARM,SHUT-OFF (S/P)
23	3206334	SCREW-SUP/MOLD BODY,8-18 X 1 ,(4) (S/P)
24	5304456675	LEVER-ARM (S/P)
25	3206336	SCREW-ARM LEVR/SPRT,8-18 X 9/16 (S/P)
26	3206337	SCREW-THERMO/SPRT,4-24 X 3/8 ,(4) (S/P)
27	3206338	SCREW-SW&SPCR/PLATE,4-40 X 1 (S/P)
28	3206339	SCREW-TIMING STOP,4-40 X 3/8 (S/P)
29	3206340	SCREW-MTR & SW/PLATE,4-40 X 3/4 (S/P)
30	3206341	SCREW-TIMING,8-32 X 1 (S/P)
31	5304456680	INSULATOR (S/P)
32	3206343	PLATE-VALVE SWITCH (S/P)
33	3206344	SPRING (S/P)

34	3206345	SCREW-MTG PLATE/SPRT,8-18 X 7/16 (S/P)
35	3206346	SCREW-GEAR/CAM,6-20 X 0.437 (S/P)
36	5304456685	COVER-ICE MAKER,COMPLETE (S/P)
37	5303320544	DATA SHEET,ICE MAKER (S/P)
38	5303207445	ENVELOPE-DATA SHEET (S/P)
44	5308000133	CLAMP,NYLON ,.75 OD TUBE (S/P)
45	5303001343	SCREW,HEX WSHR HD ,8-15A X 0.500 ,SPEC (S/P)
46	5303001193	CLAMP-INLET TUBE,METAL (S/P)
47	5308000205	ADAPTER-WATER SPLY,STRAIGHT (S/P)
51	218947201	TUBE-FILL (S/P)
55	218720500	VALVE-WATER,DUAL SOLENOID ,115 V
59	5303001191	SLEEVE-TUBE INSERT (S/P)
60	5303207328	SCREW,HEX WSHR HD ,8-15A X 1 (S/P)
61	218721500	BRACKET-LEVELING,ICE MAKER (S/P)
62	215230500	SCREW-IM BRKT MTG,PAN HEAD (S/P)
64	5304455846	CLAMP-COPPER TUBE,STEEL (S/P)