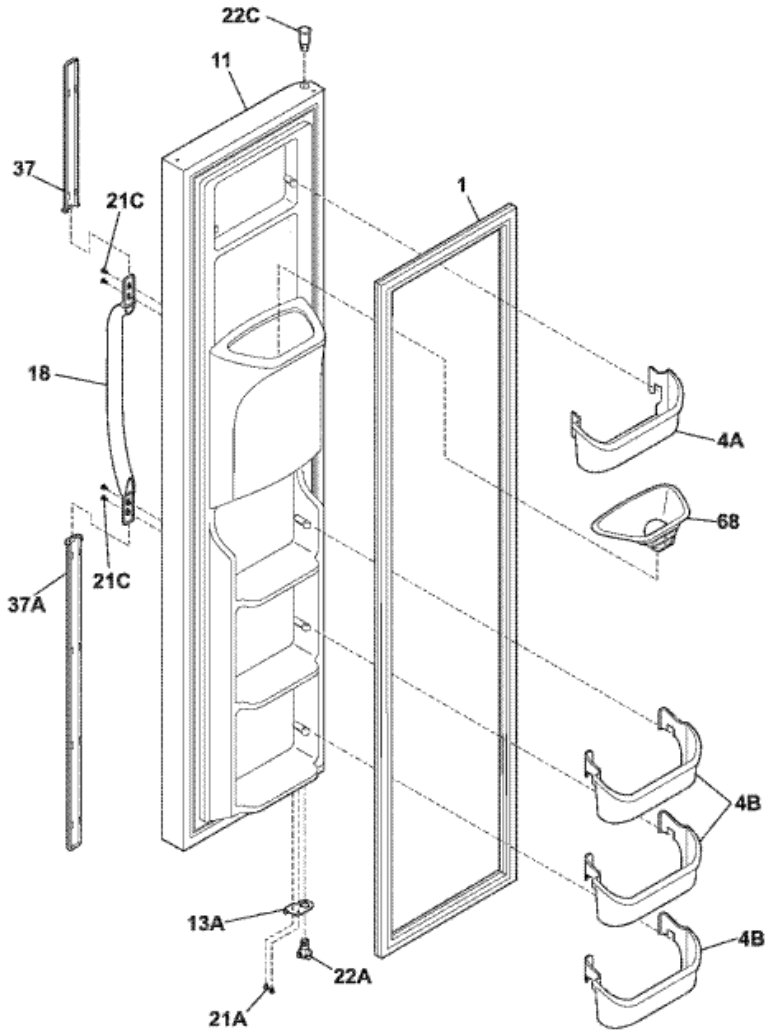


**WRS23MF5AS9 FREEZER DOOR**

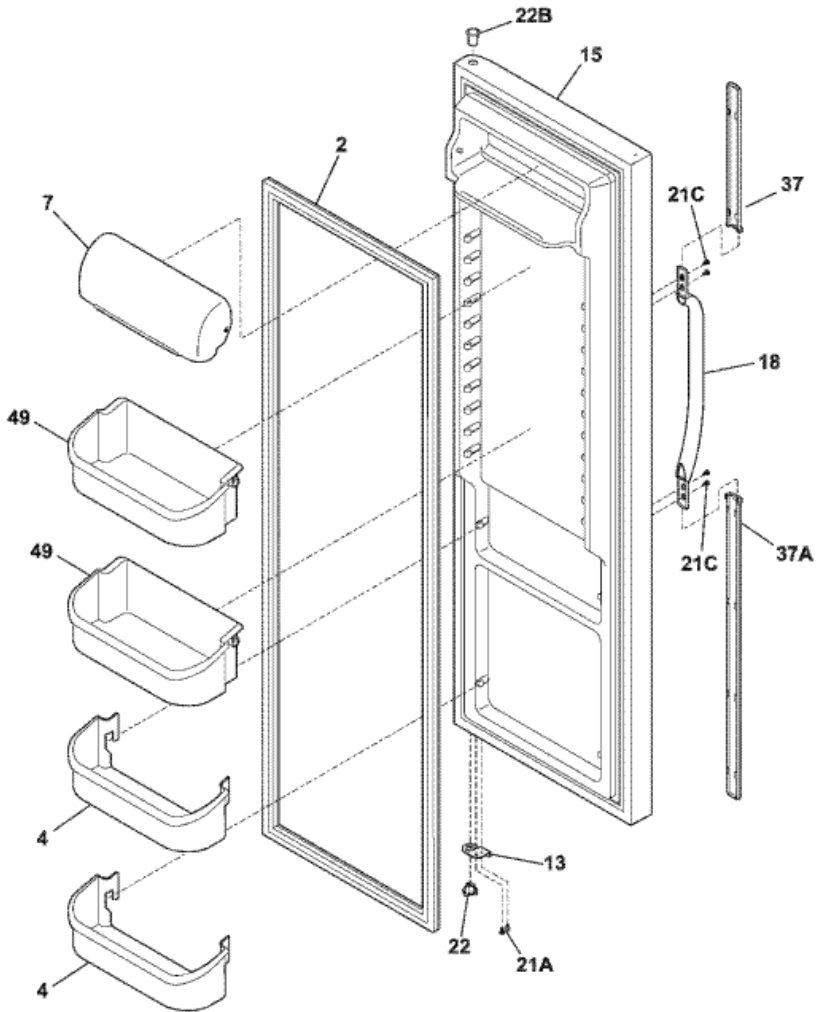




## WRS23MF5AS9 FREEZER DOOR

11	5304459695	DOOR-FRZR,STAINLESS ,COMPLETE ASSY (S/P)
18	218762703	HANDLE-DOOR,BLACK
37	218811620	TRIM-HANDLE,BLACK ,UPPER (S/P)
68	240546801	CHUTE-ICE (S/P)
NI	240545201	CONNECTOR-WATER,STRAIGHT (S/P)
NI	240552103	HARNESS-WIRING,DOOR (S/P)
13A	240581906	DOOR STOP,BLACK ,FRZR (S/P)
NI	5304409707	CLEANER,STAINLESS STEEL (S/P)
F37A	218676004	BAND-DECORATIVE,SATIN ALUMINUM , (S/P)
37A	218811617	TRIM-HANDLE,BLACK ,LOWER (S/P)
F37A	215782300	LOCK-HANDLE TRIM,SNAP-IN
21C	218781100	SCREW,PAN HEAD ,8-18 X 0.625 (S/P)
22A	240328202	BEARING-HINGE,CLOSER
22C	240328404	BEARING-HINGE,BLACK ,UPPER
4B	240359007	BIN-DOOR (S/P)
4A	240367307	BIN-DOOR,FRZR-UPPER (S/P)
F1	241786008	GASKET-FRZR DOOR,BLACK ,MAGNETIC (S/P)
NI	5303918256	DISPENSER HEATER KIT (S/P)
21A	240598401	SCREW,10-32 X 1/2 (S/P)

**WRS23MF5AS9 REFRIGERATOR  
DOOR**





**WRS23MF5AS9 REFRIGERATOR  
DOOR**

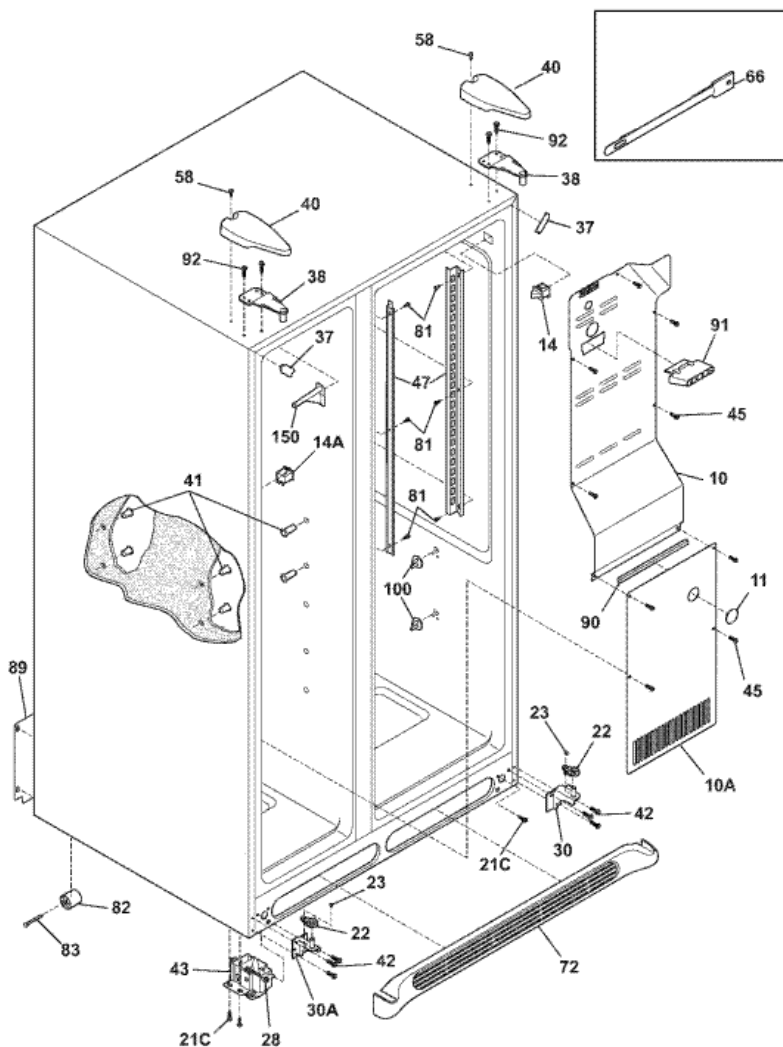
4	240363707	BIN-DOOR,2-LITER (S/P)
7	240338310	DOOR-DAIRY,WATER BLUE (S/P)
13	240581905	DOOR STOP,BLACK ,REF (S/P)
15	240451985	DOOR-REFR,STAINLESS STEEL , (S/P)
18	218762703	HANDLE-DOOR,BLACK
22	240328201	BEARING-HINGE,CLOSER
37	218811620	TRIM-HANDLE,BLACK ,UPPER (S/P)
49	240324509	BIN-DOOR,GALLON (S/P)
22B	240328403	BEARING-HINGE,UPPER
F2	241786007	GASKET-REFR DOOR,BLACK ,MAGNETIC (S/P)
F37A	215782300	LOCK-HANDLE TRIM,SNAP-IN
21C	218781100	SCREW,PAN HEAD ,8-18 X 0.625 (S/P)
21A	240598401	SCREW,10-32 X 1/2 (S/P)
NI	5304409707	CLEANER,STAINLESS STEEL (S/P)
NI	218676004	BAND-DECORATIVE,SATIN ALUMINUM , (S/P)
37A	218811617	TRIM-HANDLE,BLACK ,LOWER (S/P)

Distribuidor Autorizado

SurteRápido.com

Venta de Refacciones  
Electrodomesticas

## WRS23MF5AS9 CABINET

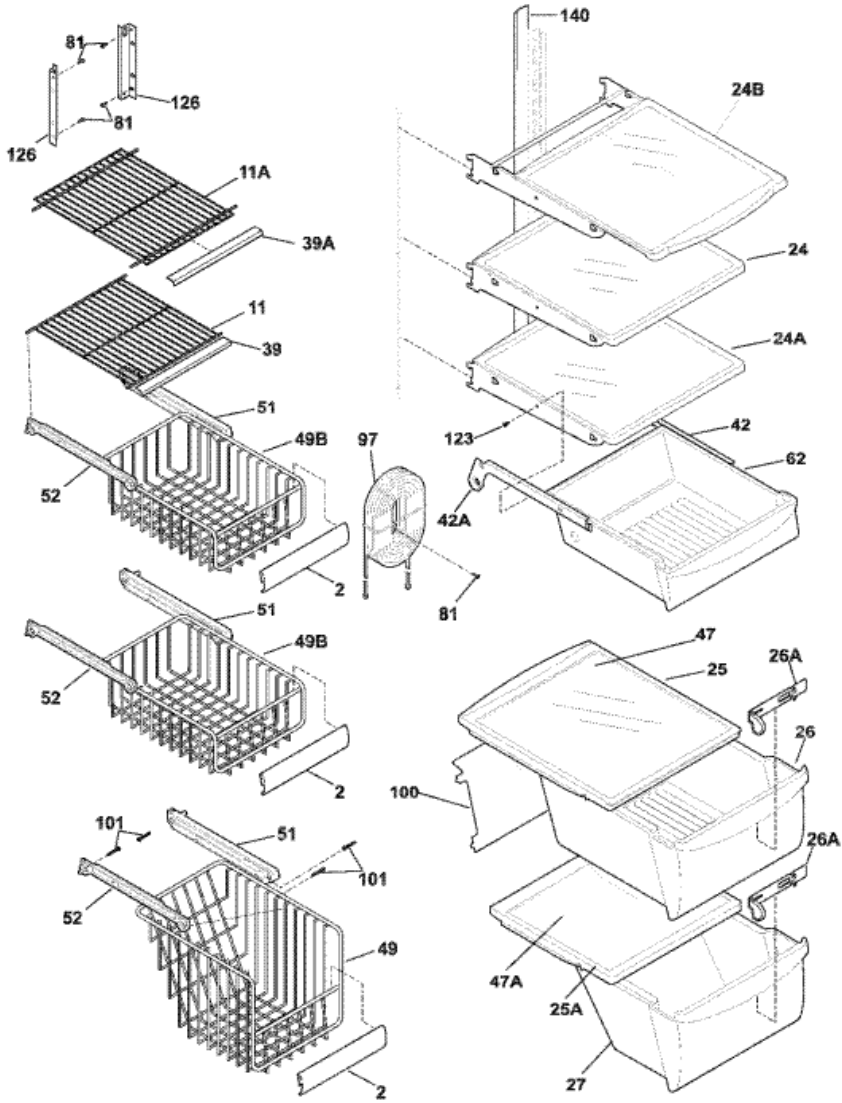




**WRS23MF5AS9 CABINET**

10	240435903	COVER-AIR DUCT (S/P)
11	5303208309	PLUG-HOLE,FACTORY TEST (S/P)
22	240457701	PLATE-DOOR CLOSER
23	240402701	SCREW-NO.10-32 X 1/4 FLAT HD (S/P)
28	240335501	BOLT-ROLLER ADJ,HEX WASHER HEAD (S/P)
30	5304457964	BRACKET-LOWER HINGE, REF (S/P)
37	240337603	TRIM-CABINET CORNER,BLACK ,(2) (S/P)
38	240327207	BRACKET-UPPER HINGE (S/P)
40	240327007	COVER-UPPER HINGE,BLACK (S/P)
41	241550801	GROMMET-SHELF MTG,1.40`` LONG (S/P)
42	240578901	SCREW-HINGE MTG,HEX HEAD ,1/4-20 X 5/8 (S/P)
43	240335006	ROLLER ASSY,FRONT ,(2) (S/P)
47	240349402	CHANNEL-SHELF MTG,SIDE ,(2) (S/P)
66	5304424968	DAMPER COVER ASSY (S/P)
72	241521603	GRILLE/KICKPLATE,BLACK (S/P)
82	5304418225	ROLLER,COMPRESSOR BASE ,REAR ,(2) (S/P)
83	5303316859	RIVET,FLAT HEAD ,1/4 OD X 1-3/4 (S/P)
89	241733901	COVER,ACCESS ,SYSTEM COMPT (S/P)
90	218249808	SEAL-COIL COVER (S/P)
91	240380101	DUCT-ICE MAKER (S/P)
100	240423701	SUPPORT,CRISPER COVER ,FRONT ,(4)
150	240368701	GUIDE-CONTROL BULB (S/P)
21C	218252200	SCREW,NO.8 TRUSS HD ,10-32CA X 0.500 (S/P)
F100	240350802	SUPPORT,CRISPER COVER ,REAR ,(4)
NI	5303321321	PAINT,TOUCH-UP ,BLACK (S/P)
30A	5304457964	BRACKET-LOWER HINGE (S/P)
10A	240475903	COVER-EVAP COIL,LOWER (S/P)
NI	240479601	PLUG,BUTTON ,CAB LINER HOLES ,(2) (S/P)
NI	240481601	SHIM-LOWER HINGE (S/P)
F14	240505801	SWITCH,LIGHT/LAMP (S/P)
F14A	215486600	SWITCH-LIGHT/LAMP (S/P)
NI	241550701	GROMMET-SHELF MTG,.875`` LONG (S/P)
NI	240396801	CLAMP,TUBE/WIRING ,NYLON , (S/P)

**WRS23MF5AS9 SHELVES**





**WRS23MF5AS9 SHELVES**

2	241510603	TRIM-BASKET (S/P)
11	241657601	SHELF-FREEZER,FLIP-UP (S/P)
24	240355234	SHELF-`SPILL-SAFE`,FIXED ,(3) (S/P)
25	240354502	COVER-CRISPER PAN,UPPER (S/P)
26	240354712	PAN-CRISPER,UPPER (S/P)
27	240354813	PAN-CRISPER,LOWER (S/P)
39	240430705	TRIM-SHELF,FRONT (S/P)
42	240356501	TRACK,MEAT PAN HANGER ,RH (S/P)
47	240443316	INSERT-PAN COVER,GLASS (S/P)
49	240530401	BASKET-SLIDING (S/P)
51	240343002	HANGER-BASKET,RH (S/P)
52	240343102	HANGER-BASKET,LH (S/P)
62	240355511	PAN-MEAT (S/P)
97	240545303	WATER TANK ASSY,COILED TUBING (S/P)
100	240326303	COVER-WATER TANK (S/P)
126	241674401	CHANNEL,AUGER MTG ,LH (S/P)
126	241674402	CHANNEL,AUGER MTG ,RH (S/P)
140	240430501	CHANNEL,WTR TUBE COVER (S/P)
39A	240430701	TRIM-SHELF,FRONT (S/P)
NI	241619903	LABEL-ENERGY (S/P)
11A	241657503	SHELF-FREEZER,FIXED WIRE (S/P)
42A	240349701	HANGER-MEAT PAN,LH (S/P)
F42A	240350001	SPRING-MEAT PAN RAIL (S/P)
NI	240362101	CLIP-SLIDE,COVER-CRISPER (S/P)
24A	240355237	SHELF-`SPILL-SAFE`,FIXED (S/P)
NI	240349801	CLIP-SLIDE,PAN-CRISPER (S/P)
F42A	240349901	BLOCK-MEAT PAN RAIL,LH (S/P)
24B	240350121	SHELF-`SPILL-SAFE`,CANTILEVER ,SLIDING (S/P)
47A	240350614	INSERT-PAN COVER,GLASS (S/P)
26A	240351104	CONTROL-HUMIDITY (S/P)
25A	240354602	COVER-CRISPER PAN,LOWER (S/P)
49B	240530501	BASKET-SLIDING,UPPER ,HALF (S/P)
F42A	240356701	SEAL-MEAT PAN (S/P)

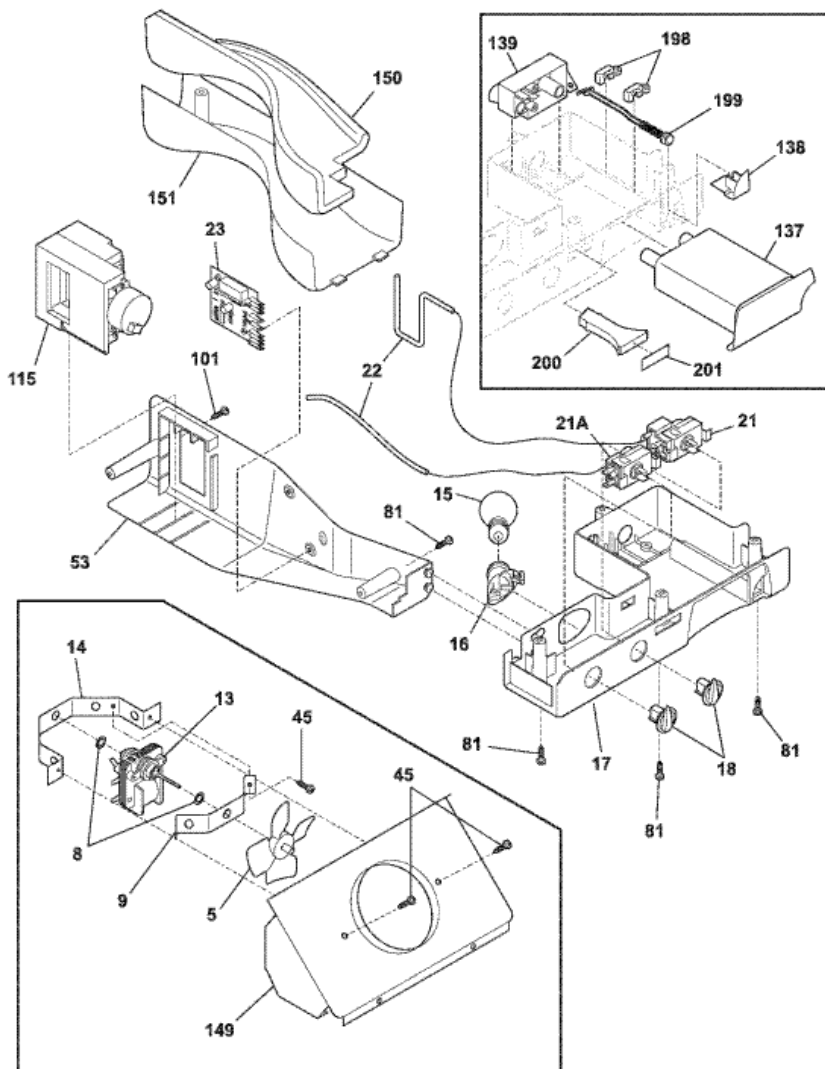


Distribuidor Autorizado

**SurteRápido.com**

Venta de Refacciones  
Electrodomesticas

## WRS23MF5AS9 CONTROLS





## WRS23MF5AS9 CONTROLS

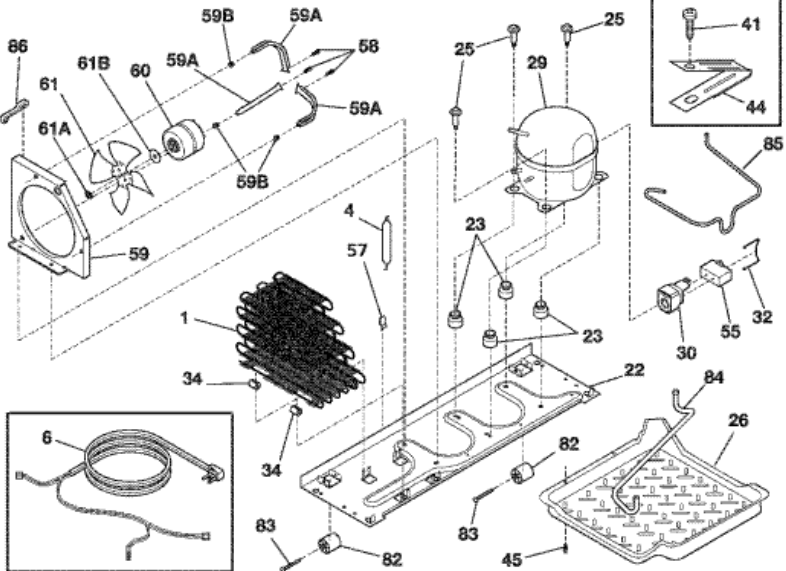
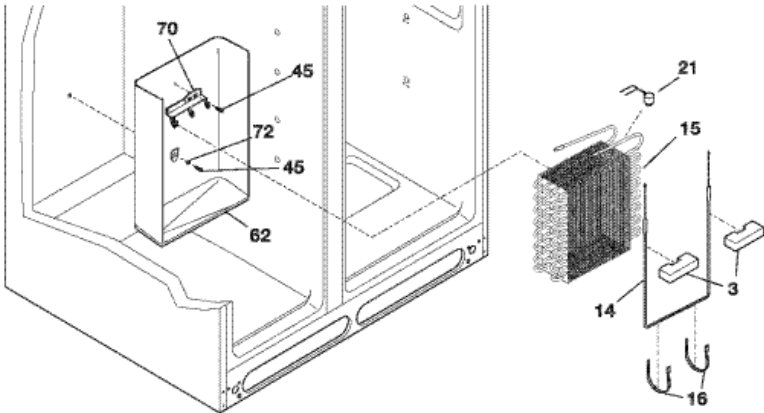
8	5300157666	BUSHING-MOTOR MTG,(2) (S/P)
9	5303292396	BRACKET-MOTOR MTG,FRONT (S/P)
14	5303292397	BRACKET-MOTOR MTG,REAR (S/P)
15	240436702	LIGHT BULB/LAMP,A-15 (S/P)
17	240374903	<b>DESCONTINUADO</b>
18	240360801	KNOB,TEMP CONTROL (S/P)
21	241586503	CONTROL-TEMPERATURE (S/P)
22	218660704	TUBE-INSULATOR (S/P)
45	5303001343	SCREW,HEX WASHER HEAD ,8-15A X 0.500 (S/P)
53	240369501	BOX-CONTROL (S/P)
81	5308016566	SCREW,HEX WASHER HEAD
101	218493100	SCREW,HEX WASHER HEAD ,8-18AB X 1-3/4 (S/P)
115	241600902	DAMPER ASSY,W/SEAL (S/P)
137	WF2CB	FILTER,WATER ,FRONT ,CASSETTE
138	240397301	BUTTON-FILTER RELEASE (S/P)
139	240396002	BASE-WATER FILTER
149	5304444979	SHROUD-FAN ORFICE (S/P)
150	240394203	INSULATION-WATER TUBE COVER (S/P)
151	240373805	COVER-WATER TUBE (S/P)
198	240397401	RETAINER (S/P)
199	240397501	ROD (S/P)
200	240397601	LIGHT PIPE (S/P)
201	240398506	LABEL-CONTROL BOX (S/P)
F137	240396701	BYPASS,WATER FILTER ,OPTIONAL PART
NI	215474201	WASHER,`SLINGER`,NYLON (S/P)
F16	241513901	SOCKET-LIGHT (S/P)
F199	240398401	SPRING-FILTER RELEASE ROD (S/P)
NI	241537802	HARNESS-WIRING,CONTROL BOX (S/P)
F139	240527001	O-RING,WTR FILTER BASE (S/P)
F13	5304445861	MOTOR-EVAP FAN
F23	241508001	CONTROL-DEFROST,ADAPTIVE TIMER
21A	5304421067	CONTROL-TEMPERATURE,FRZR SECTION
F5	5308000010	FAN BLADE,RED ,EVAPORATOR FAN (S/P)

Distribuidor Autorizado

**SurteRápido.com**

Venta de Refacciones  
Electrodomesticas

## WRS23MF5AS9 SYSTEM





## WRS23MF5AS9 SYSTEM

1	240333602	CONDENSER (S/P)
3	218679606	BLOCK-EVAP COIL,STYROFOAM ,(2) (S/P)
6	240346402	HARNESS-WIRING,MACHINE COMPT (S/P)
16	5308000110	STRAP-EVAP/HEATER,ALUMINUM ,(2) (S/P)
22	240330007	BASE-COMPRESSOR MTG (S/P)
23	218513300	GROMMET-COMPR MTG,(4) (S/P)
25	240491501	SCREW-COMPRESSOR MTG (S/P)
26	241637401	PAN-DEFROST DRAIN (S/P)
32	218973501	CLAMP,ELEC CONT MTG ,COMPRESSOR (S/P)
34	240405201	GROMMET,RUBBER ,BLACK ,COND TUBE/WIRE (S/P)
41	240555001	SCREW-NO.8-32 X 3/8 (S/P)
44	5303001199	CLAMP-SERVICE CORD,STRAIN RELIEF (S/P)
45	5303001343	SCREW,HEX WASHER HEAD ,8-15A X 0.500 (S/P)
45	5308016566	SCREW,HEX WASHER HEAD
57	240542601	CLIP-WIRING HARNESS (S/P)
58	215004600	SCREW,HX SERR WSHR HD (S/P)
59	240315501	SHROUD-COND FAN (S/P)
62	240429401	TROUGH-DRAIN (S/P)
70	218990801	BRACKET-EVAP/CVR MTG (S/P)
72	218397000	BUTTON-HANDLE MTG,DOVETAIL (S/P)
82	5304418225	ROLLER,COMPRESSOR BASE ,REAR ,(2) (S/P)
83	5303316859	RIVET,FLAT HEAD ,1/4 OD X 1-3/4 ,ROLLER PIN (S/P)
84	241957901	TUBE-DRAIN,LOWER (S/P)
85	241844801	TUBE-CONNECTOR,SUCTION (S/P)
86	240409302	SPACER-COND TUBE,BLACK (S/P)
59B	240346601	GROMMET-BRACKET,(3) (S/P)
NI	240346701	TAPE-FOAM SEAL,SHROUD (S/P)
NI	240359401	SCREW-FAN SHROUD,(2) (S/P)
FNI	241537802	HARNESS-WIRING,CONTROL BOX (S/P)
FNI	5303918328	HEAT EXCHANGER KIT,SUCTION LINE (S/P)
F29	5304442311	COMPRESSOR,W/ELECTRICALS (S/P)
F15	5303918286	EVAPORATOR KIT (S/P)
F61	240315401	FAN BLADE,GALV STEEL ,CONDENSER FAN (S/P)

NI	240409302	SPACER-COND TUBE,BLACK (S/P)
NI	240449601	HARNESS-WIRING (S/P)
NI	218252200	SCREW,NO.8 TRUSS HD ,10-32CA X 0.500 (S/P)
F30	5304468029	STARTER,PTC (S/P)
F4	5303305677	DRIER-FILTER,R134A SYSTEM (S/P)
F60	240397101	MOTOR-CONDENSER FAN (S/P)
61A	215004700	<b>DESCONTINUADO</b>
61B	215004800	GROMMET-SILENCER (S/P)
F21	5303918214	THERMOSTAT-DEFROST,KIT
F14	5303918254	DEFROST HEATER KIT
NI	5303918222	HOT TUBE REPAIR KIT,SERVICE (S/P)
59A	240346501	BRACKET-SUPPORT,COND MTR ,(3) (S/P)
F55	218909912	CAPACITOR-RUN,220 VAC ,12 MICROFARAD (S/P)

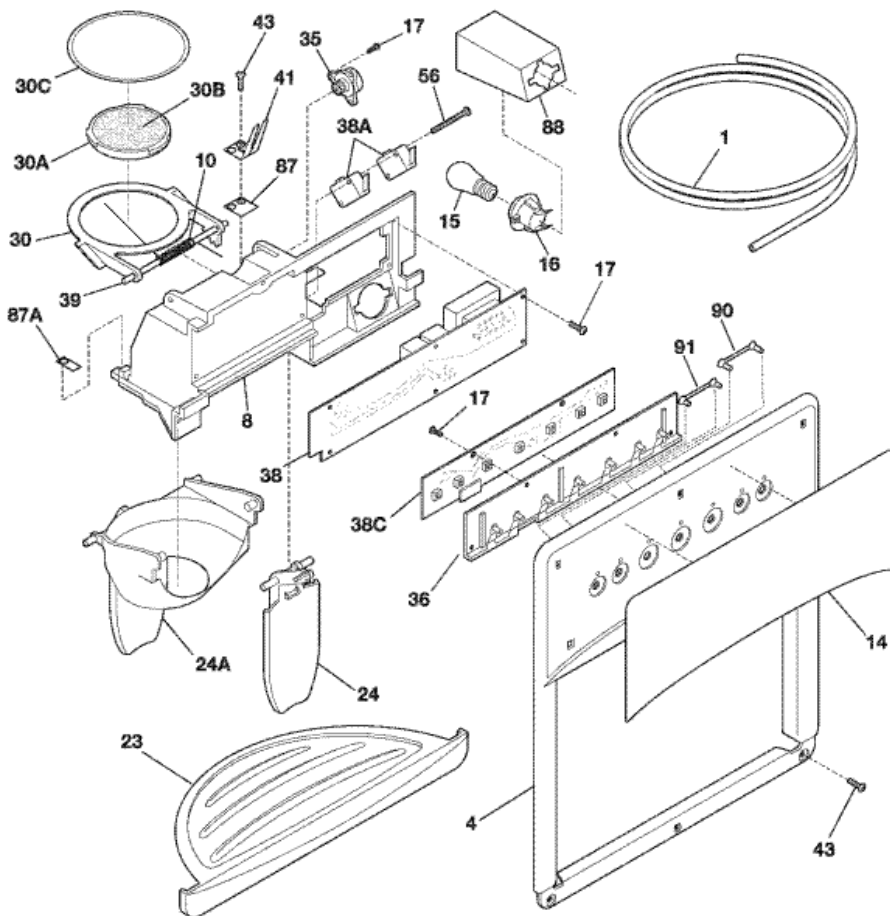
Distribuidor Autorizado

**SurteRápido.com**

Venta de Refacciones  
Electrodomesticas



## WRS23MF5AS9 ICE & WATER DISPENSER





## WRS23MF5AS9 ICE & WATER DISPENSER

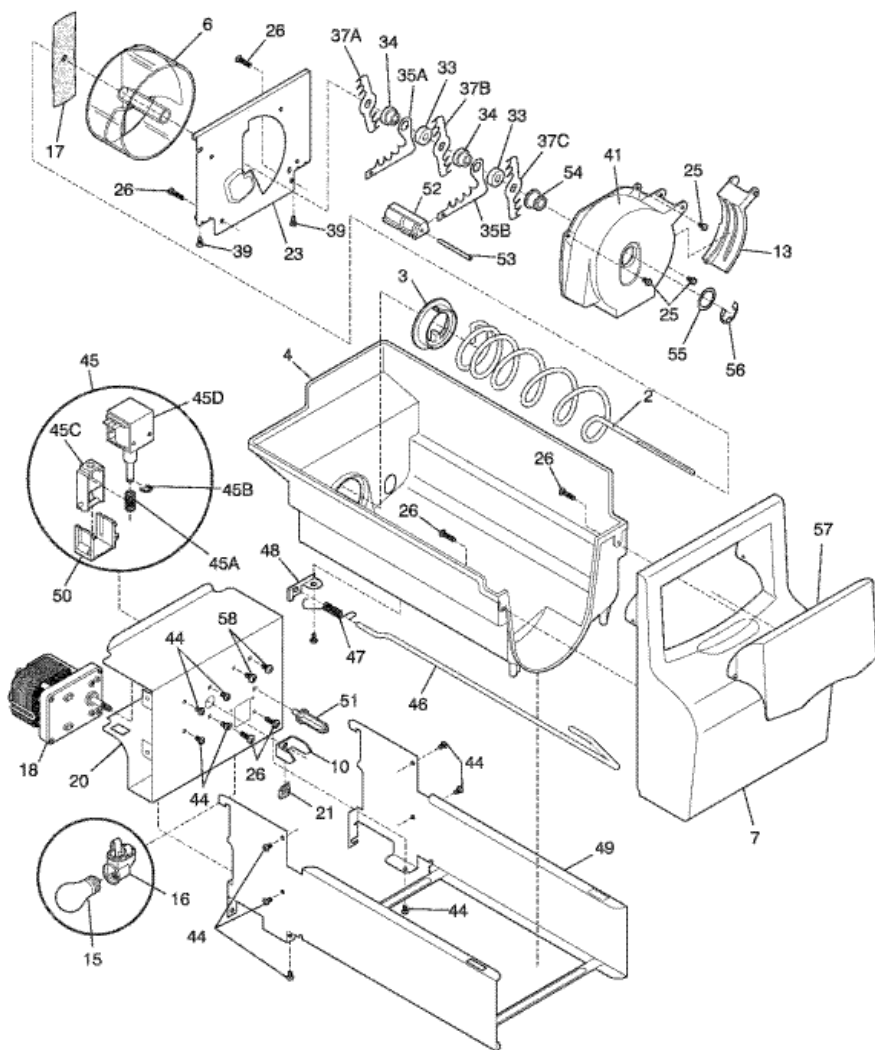
1	218976409	TUBE-WATER (S/P)
4	241678703	COVER-MODULE,BLACK (S/P)
8	241680507	MODULE-DISPENSER (S/P)
10	241688901	SPRING-TORSION (S/P)
14	240323945	LABEL-MODULE COVER,BLACK (S/P)
15	5304421616	LIGHT BULB (S/P)
16	215284900	SOCKET-LIGHT/LAMP (S/P)
23	241649003	DRIP TRAY,BLACK (S/P)
24	5304422026	ACTUATOR-WATER,BLACK
30	241688401	DOOR ASSY-ICE CHUTE (S/P)
35	241689301	DAMPER-ROTARY (S/P)
36	241680301	CARRIER (S/P)
38	241708201	POWER BOARD
39	241688801	PIN-HINGE (S/P)
41	241689001	SPRING-ACTUATOR (S/P)
87	241688302	BEARING PLATE (S/P)
88	241686101	SHIELD-LIGHT (S/P)
90	241680201	LIGHT PIPE,REFLECTOR (S/P)
91	241680101	LIGHT PIPE,REFLECTOR ,SHORT (S/P)
30C	241688701	DOOR SEAL (S/P)
30A	241688501	DOOR CENTER (S/P)
30B	241688601	INSULATION-DOOR (S/P)
F38A	241689101	SWITCH-MICRO,SINGLE POLE (S/P)
NI	218976901	TUBE-WATER INLET,INLET VALVE (S/P)
NI	218976903	TUBE-WATER INLET,INLET VALVE (S/P)
NI	218976907	TUBE-WATER INLET,VALVE TO DOOR (S/P)
NI	240363401	SCREW-NO.8-18 X 1/2,NO.6 HD PLASK (S/P)
NI	5303918256	DISPENSER HEATER KIT (S/P)
NI	241686201	INSULATOR-ELECTRICAL (S/P)
F38C	5304430811	HARNESS-RIBBON CABLE (S/P)
87A	241688301	BEARING PLATE (S/P)
38C	241708303	BOARD-CONTROL (S/P)
24A	5304422025	ACTUATOR-ICE,BLACK

Distribuidor Autorizado

SurteRápido.com

Venta de Refacciones  
Electrodomesticas

## WRS23MF5AS9 ICE CONTAINER







## WRS23MF5AS9 ICE CONTAINER

2	241716101	AUGER-ICE (S/P)
3	241685201	CAM-DRIVE (S/P)
4	218815300	CONTAINER-ICE,BUCKET ONLY
6	241685101	DRUM-ICE DISP
7	241734201	FRONT-ICE CONTAINER (S/P)
10	241726501	BAR-DRIVE (S/P)
13	241885001	GATE (S/P)
15	5303013071	LIGHT BULB/LAMP,40 W (S/P)
16	241559801	SOCKET-LIGHT/LAMP (S/P)
17	241684501	DRIVE BLADE (S/P)
20	241675502	COVER-MOTOR (S/P)
21	215285100	NUT-DRIVE (S/P)
23	241684001	PLATE-FRONT (S/P)
25	5304404362	SCREW,HEX WASHER HEAD ,8-32T X 0.375 (S/P)
26	215503200	SCREW,CR PAN HD ,10-16 X 0.500 (S/P)
33	241684801	SPACER (S/P)
34	241689801	SPACER (S/P)
39	5304404365	SCREW (S/P)
41	241885001	HOUSING-CRUSHER (S/P)
44	218359200	<b>DESCONTINUADO</b>
46	5304404341	<b>DESCONTINUADO</b>
47	5304404342	SPRING-CONTROL ROD (S/P)
48	5304404340	BRACKET-CONTROL ROD (S/P)
49	5304404880	<b>DESCONTINUADO</b>
50	241675601	GUIDE-SOLENOID (S/P)
51	241676301	ROTATION STOP (S/P)
52	241684901	SPACER-FIXED BLADES (S/P)
53	241690402	PIN-SPIRAL,FIXED BLADES (S/P)
54	241685001	NUT-AUGER (S/P)
55	241690306	WASHER (S/P)
56	241690201	E-RING (S/P)
57	241734101	DOOR-ACCESS (S/P)
58	5304404331	<b>DESCONTINUADO</b>

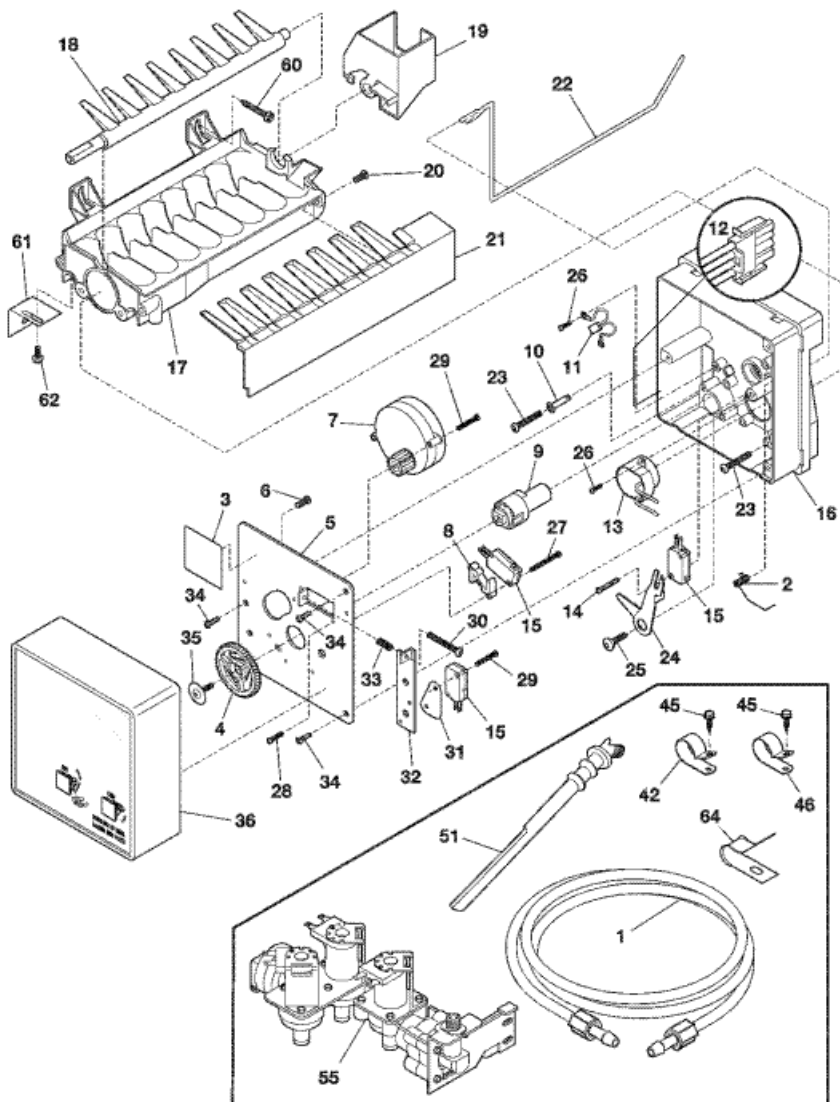
37A	5304404348	BLADE,CRUSHER NO.1 (S/P)
NI	5304404364	SCREW-BRACKET (S/P)
NI	240507202	DEFLECTOR-ICE CONTAINER (S/P)
45B	5304406827	E-RING-SOLENOID (S/P)
45D	241675801	SOLENOID (S/P)
F45	24165701	SOLENOID ASSY (S/P)
NI	5304404335	WIRING HARNESS,AUGER MOTOR (S/P)
37B	241684102	BLADE,CRUSHER NO.2 (S/P)
35A	241684301	FIXED BLADE,ROUND (S/P)
NI	241860803	ICE CONTAINER ASSY,W/MOVING PARTS (S/P)
F18	241676201	MOTOR-AUGER (S/P)
37C	241684103	BLADE,CRUSHER NO.3 (S/P)
45C	241676101	ACTUATOR-SOLENOID (S/P)
45A	241675901	SPRING-SOLENOID (S/P)
35B	241684201	FIXED BLADE,SQUARE (S/P)

Distribuidor Autorizado

SurteRápido.com

Venta de Refacciones  
Electrodomesticas

## WRS23MF5AS9 ICE MAKER





## WRS23MF5AS9 ICE MAKER

1	218976409	TUBE-WATER (S/P)
2	5304420650	SPRING,SHUT-OFF ARM (S/P)
3	3206299	LABEL,ID PLATE (S/P)
4	5304456658	GEAR (S/P)
5	3206303	PLATE-MOUNTING (S/P)
6	3206305	SCREW-GROUND WIRE,8-32 X 0.250 (S/P)
8	5304456661	SPACER-HOLD SWITCH (S/P)
9	3206313	CAM (S/P)
10	3206315	CLAMP (S/P)
14	5304420652	SCREW,4 X 0.750 ,SWITCH MTG (S/P)
16	5304420653	<b>DESCONTINUADO</b>
18	5304456670	EJECTOR-ICE (S/P)
19	3206330	BEARING & INLET (S/P)
20	5304408581	SCREW,8-32 X 0.375 (S/P)
21	3206332	ICE STRIPPER (S/P)
22	5304456673	SHUT-OFF ARM (S/P)
23	5304408582	SCREW,8-32 X 0.875 ,MOLD-TO-SUPPORT ,(3) (S/P)
24	5304456675	LEVER ARM (S/P)
25	3206336	SCREW,8-18 X 0.562 ,LEVER ARM/SPRT (S/P)
26	5304420654	<b>DESCONTINUADO</b>
27	3206338	SCREW,4-40 X 1.000 ,HOLD SWITCH MTG ,(2) (S/P)
28	3206339	SCREW-TIMING STOP,4-40 X 0.375 (S/P)
29	3206323	SCREW,4-24 X 0.750 ,(6) (S/P)
30	3206341	SCREW-TIMING ADJ,8-32 X 1.000 (S/P)
31	5304456680	INSULATOR (S/P)
32	3206343	PLATE-VALVE SWITCH (S/P)
33	5304456682	SPRING-TIMING ADJ (S/P)
34	5304420655	SCREW,PLAZSCREW ,8-10 ,(3) (S/P)
35	5304408585	SCREW (S/P)
36	3206347	COVER-ICE MAKER (S/P)
42	5303001199	CLAMP-WIRING HARNESS,STRAIN RELIEF (S/P)
45	5308016566	SCREW,HEX WASHER HEAD ,8-15A X 0.625
46	5303001193	CLAMP, .50 ID ,STEEL ,WATER TUBE (S/P)

51	241796401	TUBE-WATER,ICE MOLD FILL ,EXTENSION (S/P)
60	5303207328	SCREW,HEX WASHER HEAD ,8-15A X 1.000 ,(2) (S/P)
61	218721500	BRACKET-LEVELING,ICE MAKER (S/P)
62	218737900	SCREW-IM BRKT MTG,HEX WASHER HEAD (S/P)
64	5304455846	CLAMP,0.31 ID ,STEEL ,COPPER WTR LINE (S/P)
F17	5303320545	MOLD-ICE MAKER,RADIUS CUBE (S/P)
F15	5304456667	SWITCH,(3) (S/P)
NI	5308000133	CLAMP,NYLON ,.625 ID (S/P)
NI	218888001	ADAPTER-WATER SUPPLY, (S/P)
NI	218515402	CLIP,(2) ,TUBE MTG. (S/P)
NI	218709100	SCREW,HEX HEAD ,10-32 X 0.500 (S/P)
NI	218976901	TUBE-WATER INLET,INLET VALVE (S/P)
NI	218976903	TUBE-WATER INLET,INLET VALVE (S/P)
F12	240352602	WIRING HARNESS,ICE MAKER (S/P)
NI	240542901	CAP-WATER VALVE (S/P)
NI	240561701	SEAL-WATER INLET,INLET VALVE (S/P)
NI	218976907	TUBE-WATER INLET,VALVE TO DOOR (S/P)
NI	5304458371	ICE MAKER,RADIUS CUBE ,115 V (S/P)
NI	240363601	SCREW-SHOULDER (S/P)
F11	3206319	THERMAL CUTOFF,ICE MAKER (S/P)
F13	3206322	THERMOSTAT ASSY,ICE MAKER (S/P)
F55	241734301	VALVE-WATER,TRIPLE SOLENOID
F7	3206306	MOTOR-ICE MAKER (S/P)