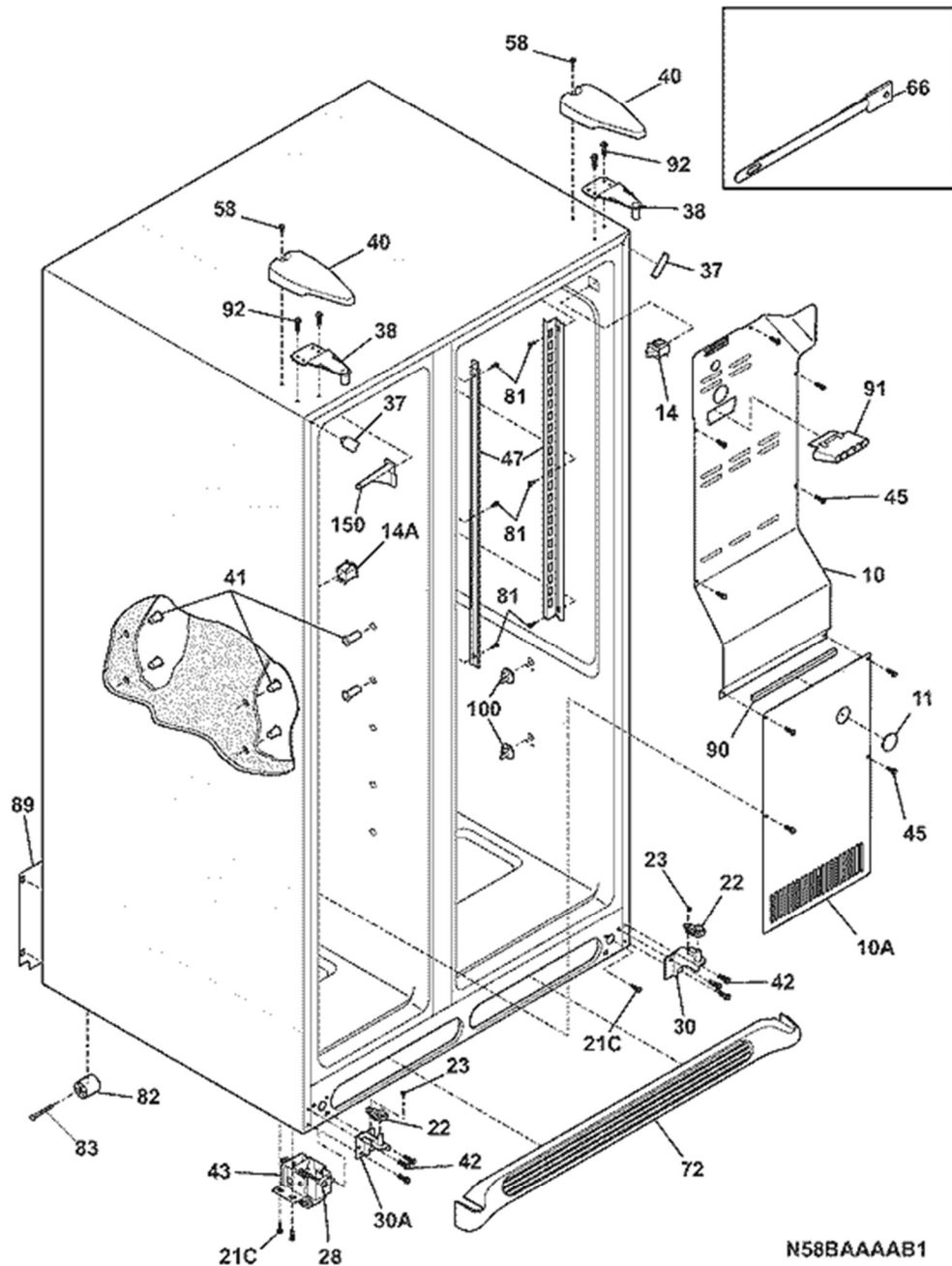


Publication No: 5995447736

WRS23MF5A

CABINET



09/05

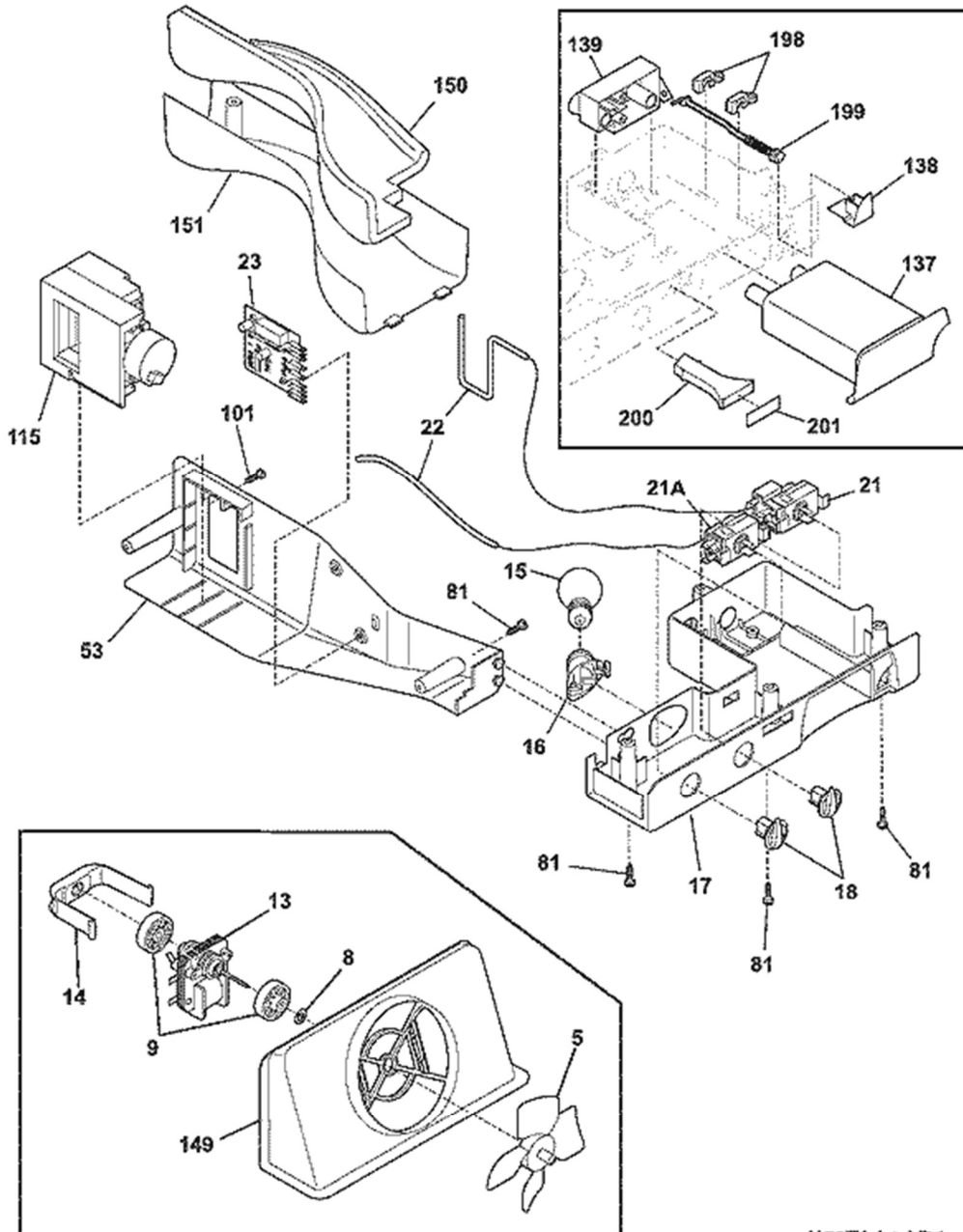
6

Guía	Descripción	Número
10	COVER-AIR DUCT	240435903
10A	COVER-EVAP COIL	240475906
11	Plug Button - White	5303208309
21C	SCREW	218252201
22	Door Closing Cam	240457701
23	SCREW-#10-32 X 3/8	5304520331
28	ROLLER Assembly	5304499445
30	Hinge Kit - Left and Right Hinges	5303918455
30A	Hinge Kit - Left and Right Hinges	5303918455
37	TRIM-CABINET CORNER	242161202
38	Upper Hinge Bracket	240327207
40	Upper Hinge Cover	240327007
41	Shelf Mounting Grommet	241550801
42	Hinge Mounting Hexagonal Screw	240578902
45	SCREW	241500303
47	CHANNEL-SHELF Mounting	240349402
58	Pan Head Screw	218781101
66	DAMPER COVER Assembly	5304424968
72	Kickplate Grille	241521603
81	Hex Head Screw	5304455650
82	Rear Roller - Black	5304418225
83	RIVET	5304455655
89	COVER-ACCESS	241733901
90	SEAL-COIL COVER	218249808
91	DUCT-ICE MAKER	240380101
92	Hexagonal Screw	241710601
100	Crisper Support - Rear	241993001
100	Crisper Cover Support - Front	241993101
150	GUIDE-CONTROL BULB	240368701
F14	Light Switch	240505801
F14A	SWITCH-LIGHT	241547902

Publication No: 5995447736

WRS23MF5A

CONTROLS



N58TAAAB4

09/05

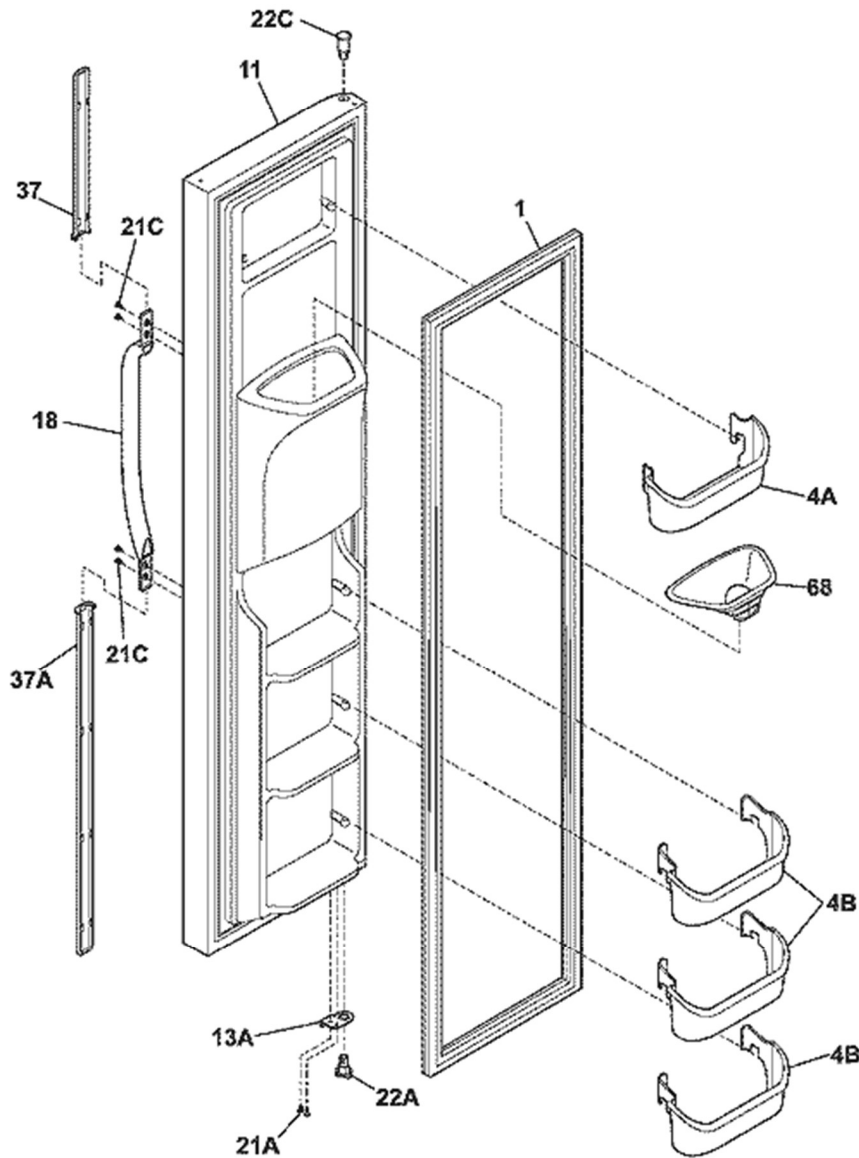
10

Guía	Descripción	Número
8	Evaporator Fan Shaft Washer	215474201
9	Bushing Motor Mounting	241563601
13	Evaporator Fan Motor Kit - 120V 60Hz	5303918549
14	Evaporator Fan Motor Bracket	242135301
15	Light Bulb	316538904
16	Light Socket	218906802
17	BOX-CONTROL	240374903
18	Thermostat Knob - White	240360801
21A	Temperature Control Thermostat	5304496561
22	TUBE-INSULATOR	218660704
53	Control Box Cover - White	240369501
81	Hex Head Screw	5304455650
101	Screw - Hex Washer Head	218493101
115	Air Damper Control - 2 Switches	241600902
137	Refrigerator Water Filter	WF2CB
138	BUTTON-FILTER RELEA	240397301
139	Water Filter Base	240396002
149	SHROUD ASMY	242204505
150	INSULATION-WATER TU	240394203
151	COVER-WATER TUBE	240373805
198	Water Filter Rod Retainer	240397401
199	Filter Release Spring	240398401
199	Water Filter Release Rod	240397501
200	LIGHT PIPE	240397601
201	LABEL	240398506
F5	Evaporator Fan Blade	5308000010
F21	Fresh Food Temperature Control	241537104
F23	Adaptive Defrost Control Board	5303918476
F137	Bypass	242227702
F139	O-RING	240527001
F149	SEAL	241528303

Publication No: 5995447736

WRS23MF5A

FREEZER DOOR



N58FACBBB4

09/05

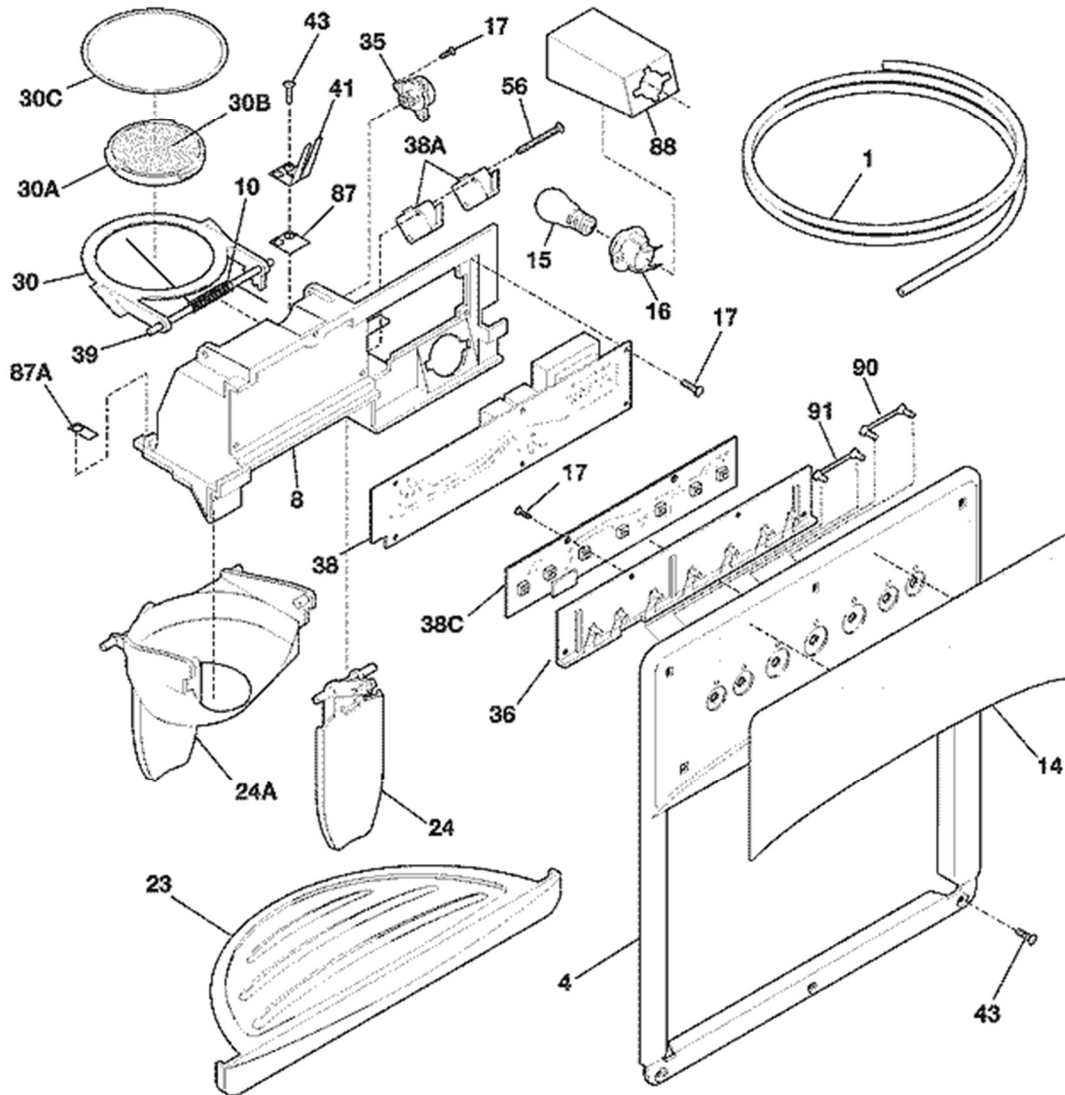
2

Guía	Descripción	Número
4A	Upper Freezer Door Bin - White	240367301
4B	Door Bin	240359001
11	DOOR-COMPLETE	241674659
13A	Door Stop - Black	240581906
18	Door Handle	218762703
21A	Door Stop Screw	240598402
21C	Pan Head Screw	218781101
22A	Hinge Bearing	242000502
22C	Upper Hinge Bearing	240328404
37	Upper Handle Trim	5304486727
37A	Handle Trim Snap-In Lock	215782300
37A	Decorative Band	218676004
68	CHUTE-ICE	241525101
F1	Freezer Gasket - Black	241786008

Publication No: 5995447736

WRS23MF5A

ICE & WATER DISPENSER



N58XBAAAB0

09/05

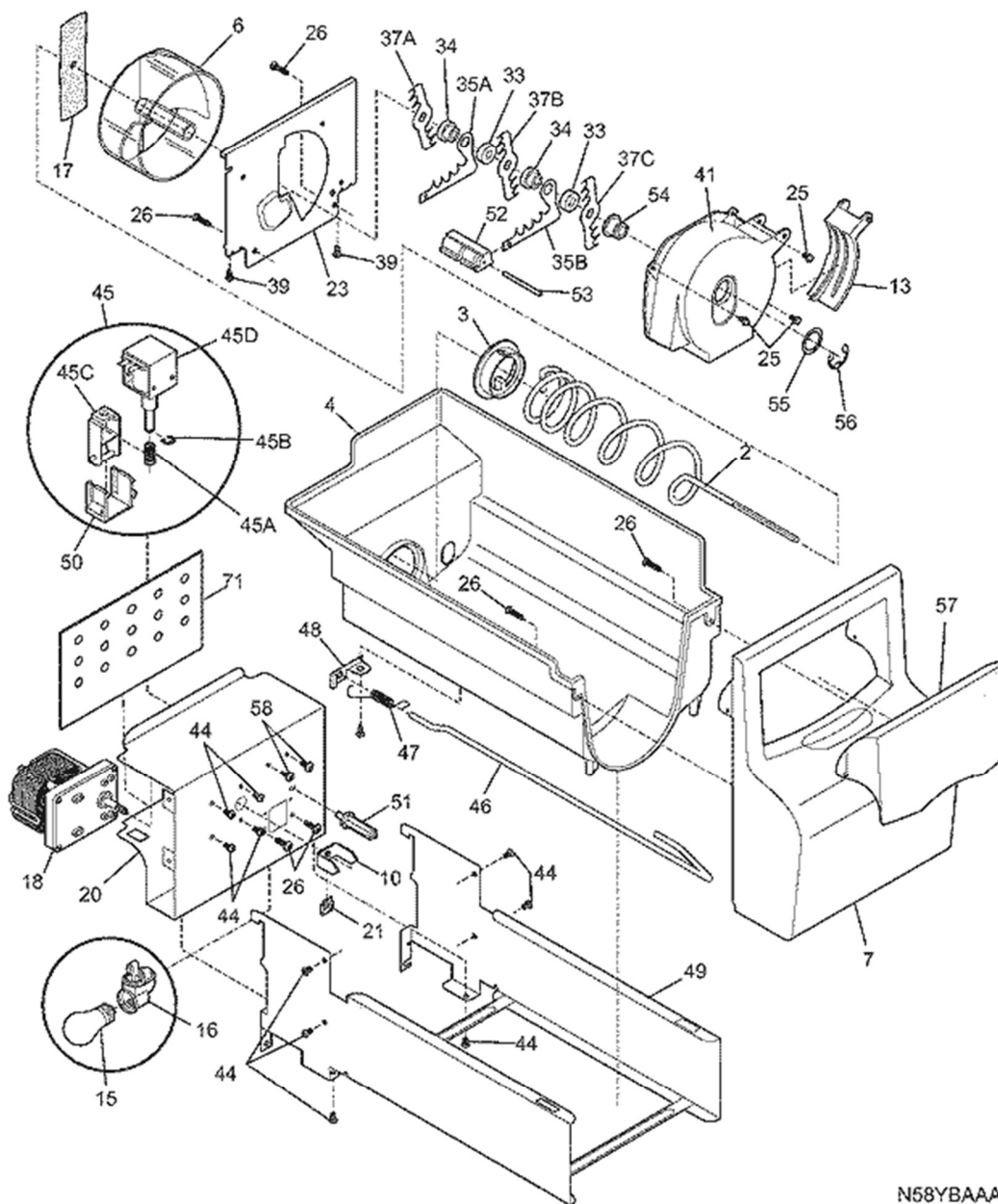
14

Guía	Descripción	Número
1	Water Tube	218976409
4	Dispenser Cover	241678703
8	Dispenser Module	241680507
10	DOOR SPRING	241688901
14	LABEL-MODULE COVER	240323945
15	BULB	5304519036
16	SOCKET	240548901
17	Mounting Screw	241679801
23	Dispenser Grille	241649003
24	Water Dispenser Actuator	241682003
24A	Ice Actuator	241681903
30	Ice Chute Door	241688401
30A	Dispenser Door Flap - Black	241688501
30B	Door Insulation	241688601
30C	Ice Dispenser Door Seal	241688701
35	DAMPER-ROTARY	241689301
36	CARRIER	241680301
38	Power Board	241708201
38A	Micro Switch	241689106
38C	Dispenser Control Board	241708303
39	Ice Chute Door Hinge Pin	241688801
41	SPRING-ACTUATOR	241689001
43	SCREW	5304455699
56	SCREW-MICRO SWITCH	241689201
87	Dispenser Ice Chute Door Bearing Plate - Right Side	241688302
87A	Bearing Plate	241688301
88	Light Lens	241686101
90	LENS	241680201
91	LENS	241680101

Publication No: 5995447736

WRS23MF5A

ICE CONTAINER



N58YBAAAA1

09/05

16

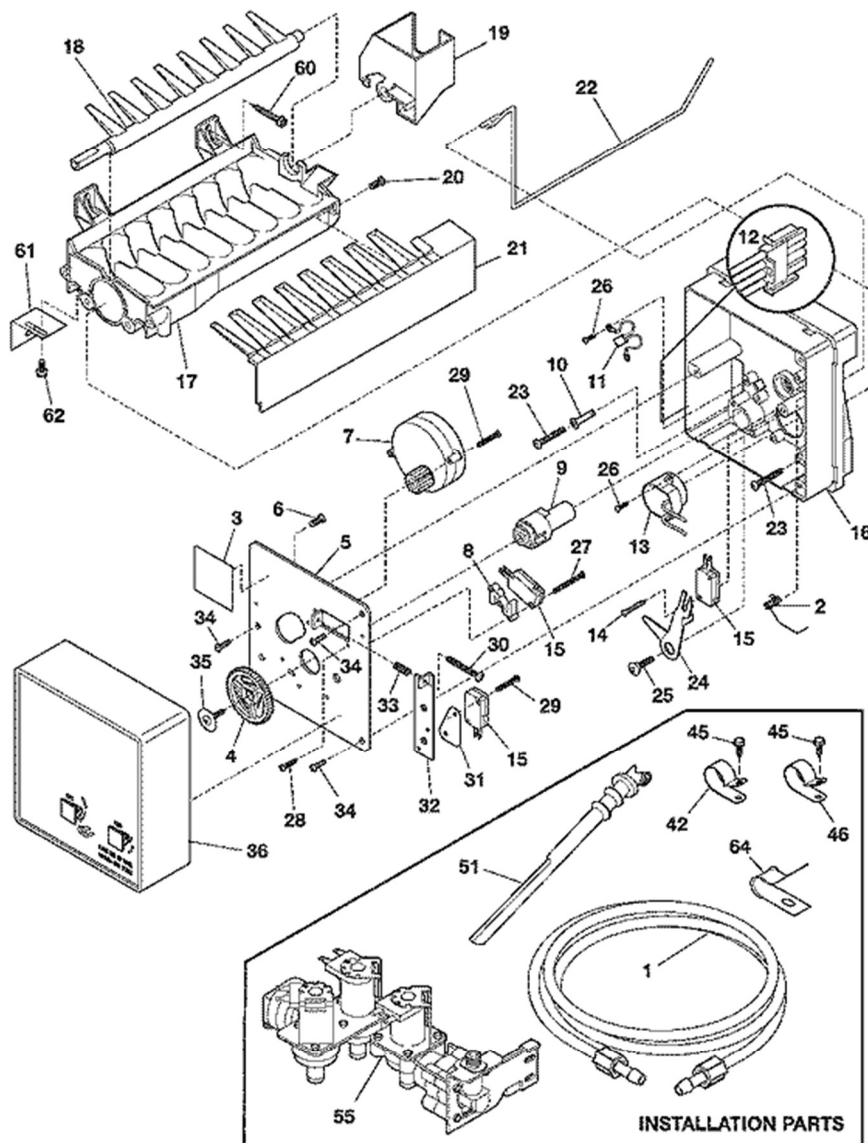
Guía	Descripción	Número
2	Ice Auger	241716101
3	Cam Drive	241685201
4	Ice Container/Bucket	241734001
6	Ice Dispenser Drum	241685101
7	FRONT-ICE CONTAINER	241734201
10	Drive Bar	241726501
13	Dispenser Crusher Housing	241885001
15	Light Bulb	316538904
16	Light Socket	241559801
17	DRIVE BLADE	241684503
20	COVER-MOTOR	241675502
21	Drive Bar	241726501
23	Front Plate	241684001
25	SCREW-#8-32 X 3/8	240555002
26	Screw	215503203
33	SPACER	241684802
34	SPACER	241689802
35A	Refrigerator Ice Crusher Fixed Blade	241684303
35B	FIXED BLADE,SQUARE	241684203
37A	BLADE	241684107
37B	BLADE	241684108
37C	BLADE,CRUSHER #3	241684109
39	SCREW	241690501
41	Dispenser Crusher Housing	241885001
44	SCREW	218359202
45A	SPRING-SOLENOID	241675902
45B	Solenoid E-Ring	241676001
45D	Refrigerator Ice Dispenser Solenoid	241675704
46	CONTROL ROD	5304404341
47	SPRING-CONTROL ROD	241690101
48	BRACKET-CONTROL ROD	241684602
49	RAIL Assembly	5304404880
50	GUIDE-SOLENOID	241675601
51	ROTATION STOP	241676301
52	SPACER-FIXED BLADES	241684901
53	PIN-SPIRAL	241690402
54	Auger Nut	241685001
55	Washer	241690306

Guía	Descripción	Número
56	E-Ring	241690201
57	Access Door	241734101
58	SCREW-SOLENOID	5304404331
71	COVER-REAR AUGER	241577301
F18	Auger Motor	5304462594
F45	Refrigerator Ice Dispenser Solenoid	241675704

Publication No: 5995447736

WRS23MF5A

ICE MAKER



N581115

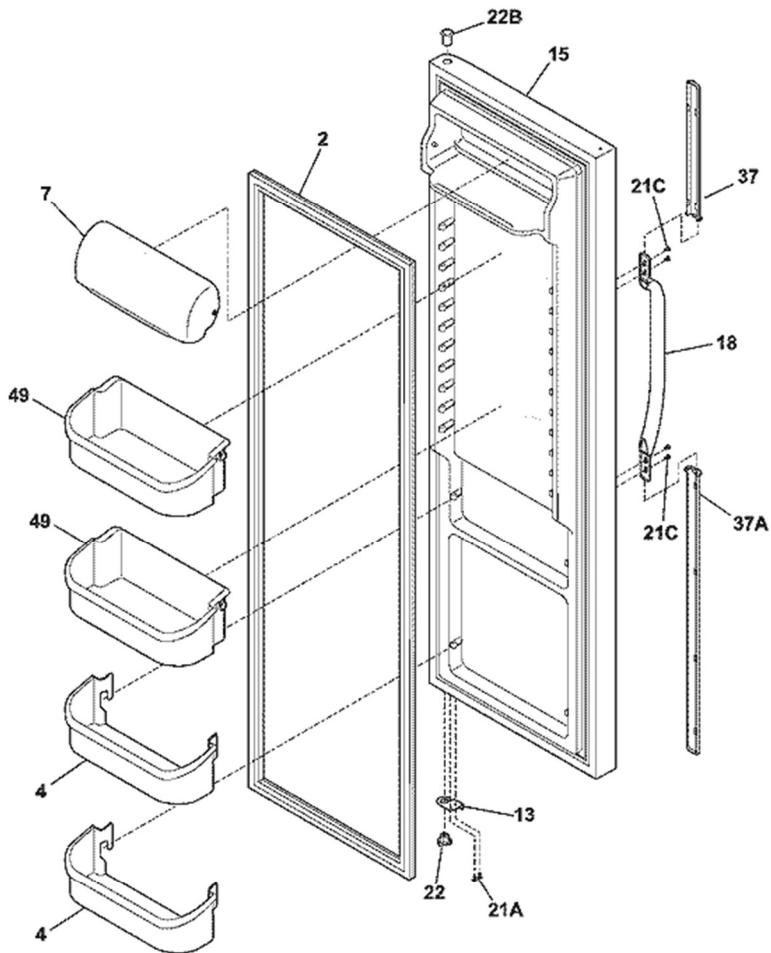
Guía	Descripción	Número
1	Water Tube	218976409
2	Shutoff Arm Spring	5304469396
3	LABEL	3206299
4	Drive Gear	5304469403
5	PLATE-MOUNTING	3206303
6	SCREW	218359202
8	SPACER-HOLD SWITCH	5304469404
9	Ice Maker Shut-Off Lever Cam	5304469402
10	CLAMP	3206315
14	SCREW	5304420652
16	Support,phenolic	5304420653
18	Ice Cube Ejector	5304469384
19	BEARING AND INLET	3206330
20	SCREW	5304408581
21	ICE STRIPPER	5304469378
22	SHUT-OFF ARM	5304469377
23	SCREW	5304408582
24	Ice Lever Arm	5304456675
25	SCREW	5304456676
26	SCREW-THERMOS/SPRT, 4-24 X 0.375 (4)	5304420654
27	SCREW	5304459910
28	SCREW-TIMING STOP	3206339
29	SCREW	3206323
30	SCREW	5304458387
31	INSULATOR	5304469406
32	PLATE-VALVE SWITCH	3206343
33	SPRING	5304469401
34	SCREW	5304420655
35	SCREW	5304408585
36	COVER-ICE MAKER	5304469385
42	CLAMP-WIRING HARNES	5303001199
45	Hex Head Screw	5304455650
46	CLAMP	5303001193
51	Water Tube	241796405
60	SCREW	5304455852
61	BRACKET-LEVELING	218721500
62	SCREW-#8-32 X 3/8	240555002
64	CLAMP	5304455846

Guía	Descripción	Número
F7	Replacement Ice Maker	5303918277
F11	Icemaker Thermal Cut-Off	3206319
F12	Auger Motor Wiring Harness	241578401
F13	Thermostat	3206322
F15	Micro Switch	5304456667
F17	Refrigerator Ice Maker Assembly	241798231
F55	Refrigerator Water Inlet Valve	242252702

Publication No: 5995447736

WRS23MF5A

REFRIGERATOR DOOR



N58RACBBB6

09/05

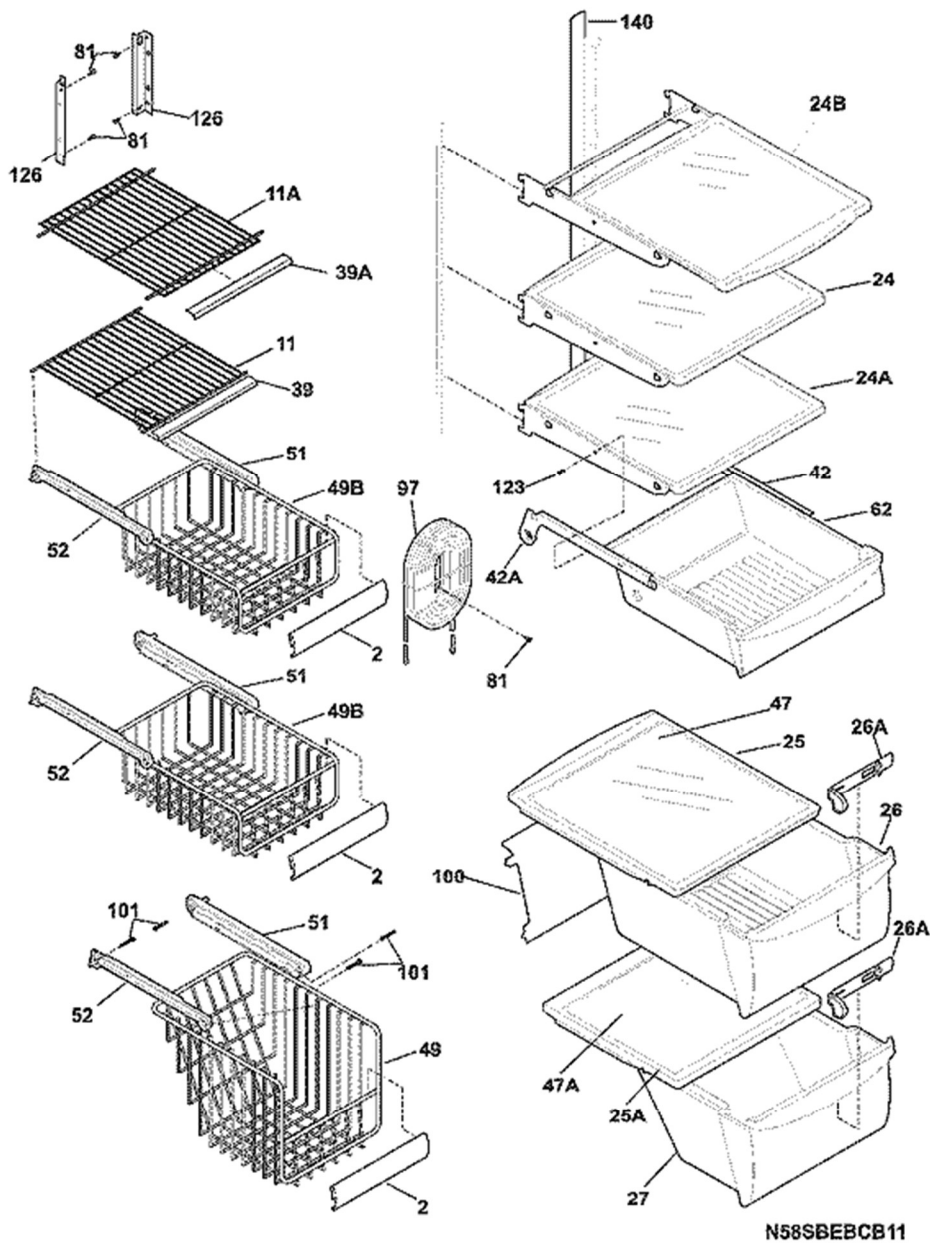
4

Guía	Descripción	Número
4	Door Shelf Bin	240363701
7	Dairy Door	240338313
13	Door Stop	240581905
15	Refrigerator Door - Stainless Steel	241534528
18	Door Handle	218762703
21A	Door Stop Screw	240598402
21C	Pan Head Screw	218781101
22	Hinge Bearing	240328203
22B	Upper Hinge Bearing	240328404
37	TRIM-CABINET CORNER	242161202
37A	Handle Trim Snap-In Lock	215782300
37A	Lower Handle Trim	5304471621
49	Door Shelf Bin	240324501
F2	Door Gasket - Black	241786007

Publication No: 5995447736

WRS23MF5A

SHELVES



09/05

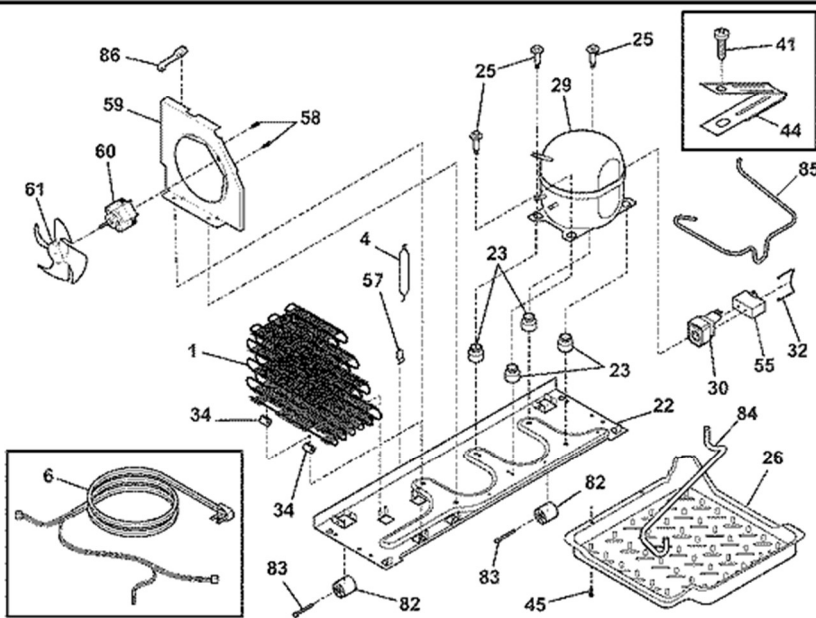
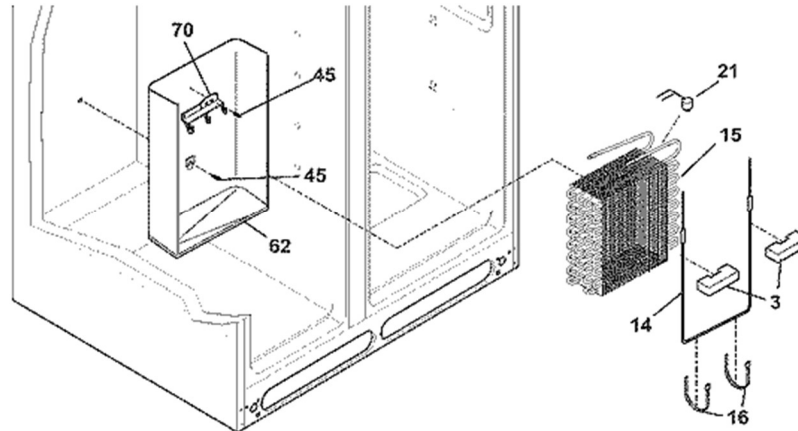
8

Guía	Descripción	Número
2	TRIM-BASKET	241510603
11	Refrigerator Wire Shelf	241657601
11A	S/A-SHELF & TRIM/FR	5304532464
24	SHELF	240355234
24A	SHELF-"SPILL-SAFE"	240355237
24B	SHELF-"SPILL-SAFE"	240350121
25	Upper Crisper Pan Cover	240354502
25A	Lower Crisper Cover - Frame Only	240354602
26	Crisper Pan - Clear	240354723
26A	DAMPER	240351104
27	Lower Crisper Pan	240354805
39	TRIM-SHELF	240430705
39A	TRIM-SHELF	240430701
42	Meat Drawer Rail - Right Side	240356501
42A	SEAL-MEAT PAN	240356701
42A	Meat Pan Rail Spring	240350001
42A	Meat Pan Rail - Left Side - White	240349701
47	INSERT	240443316
47A	INSERT	240350614
49	BASKET	240530401
49B	BASKET-SLIDING	240530501
51	Basket Hanger - Right Side	240343002
52	Basket Hanger - Left Side	240343102
62	Meat Pan - Clear	240355527
81	Hex Head Screw	5304455650
97	WATER TANK Assembly	240545303
100	COVER	240326303
101	Screw - Hex Washer Head	218493101
123	Screw	215005101
126	Channel, auger Mounting ,LH	241630701
126	Channel, auger Mounting ,RH	241674402
140	CHANNEL	240430501

Publication No: 5995447736

WRS23MF5A

SYSTEM



N58CAAAA4

09/05

12

Guía	Descripción	Número
1	CONDENSER	242039203
3	BLOCK-EVAP COIL	218679613
6	HARNESS-WIRING	241586801
16	Aluminum Heater Strap	5308000110
22	BASE-COMPRESSOR Mounting	240330007
23	Compressor Mounting Grommet	218513300
25	SCREW-COMPRESSOR MT	240491503
26	PAN-DEFROST,26	241697603
32	CLAMP	218973501
41	SCREW-#8-32 X 3/8	240555002
44	CLAMP-WIRING HARNES	5303001199
45	Hex Head Screw	5304455650
55	Run Capacitor	5304464438
57	CLIP-WIRING HARNESS	240542601
58	SCREW-#8-32 X 3/8	240555002
59	BRACKET-COND. MOTOR ASSEMBLY	5304430246
62	TROUGH-DRAIN	240429401
70	BRACKET-EVAP/CVR MT	218990801
82	Rear Roller - Black	5304418225
83	RIVET	5304455655
84	Drain Tube	241957901
85	TUBE-CONNECTOR	241844801
86	SPACER-COND TUBE	240409302
F4	Filter - Drier	5303305677
F14	DEFROST HEATER KIT	5303918255
F14	Defrost Heater	242044113
F15	EVAPORATOR KIT	5303918286
F21	Defrost Thermostat Kit	5303918214
F29	Compressor	5304475102
F30	Refrigerator Compressor Start Relay Kit	5304491941
F60	Refrigerator Condenser Fan Motor Kit	5303918774
F61	Fan Blade	240524102

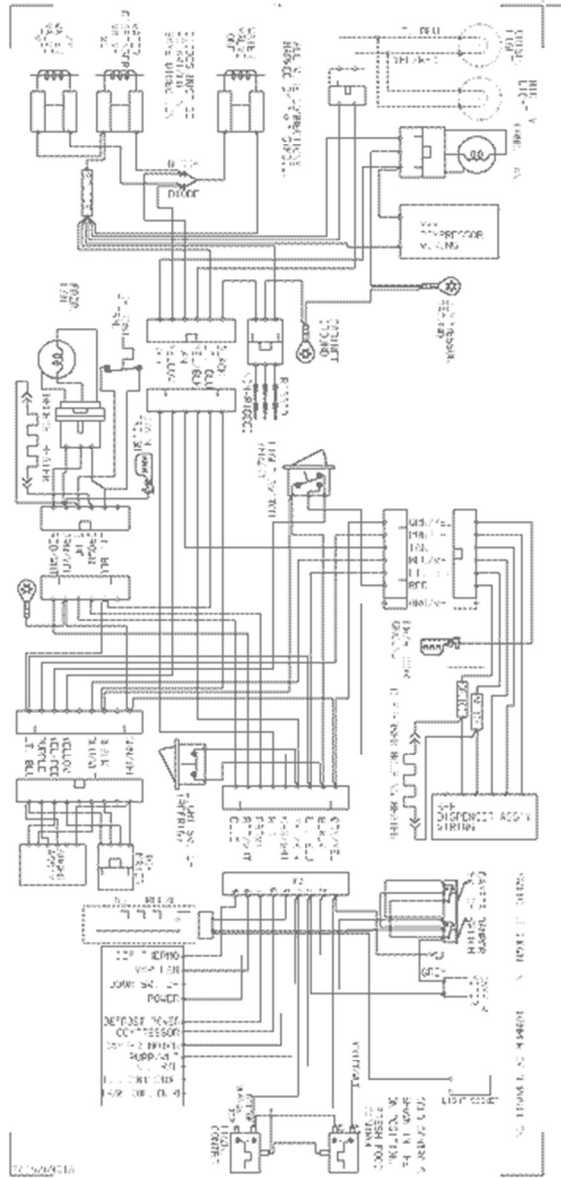


REFRIGERADOR WRS23MF5ASF

WRS23MF5A

Publication No: 5985447736

WIRING DIAGRAM



Functional Parts
* Non-Illustrated Parts

Publication No: 5995447736

WRS23MF5A

WIRING SCHEMATIC

