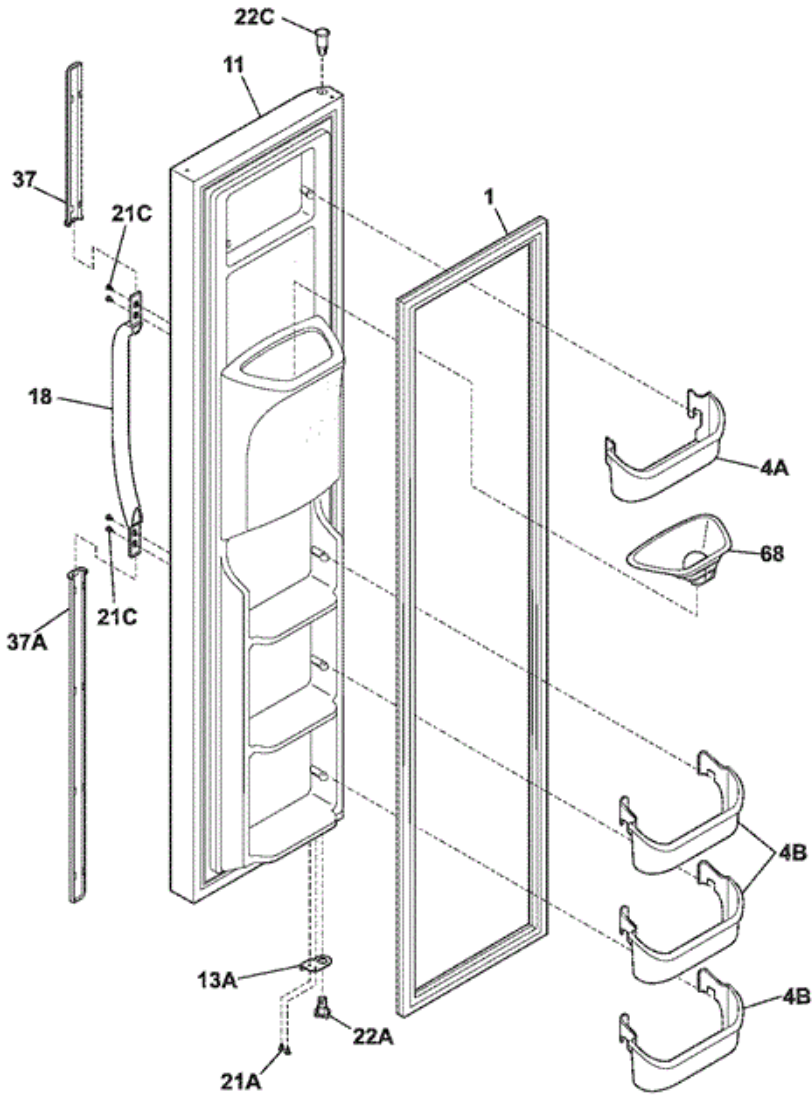


WRS23MF5AST FREEZER DOOR

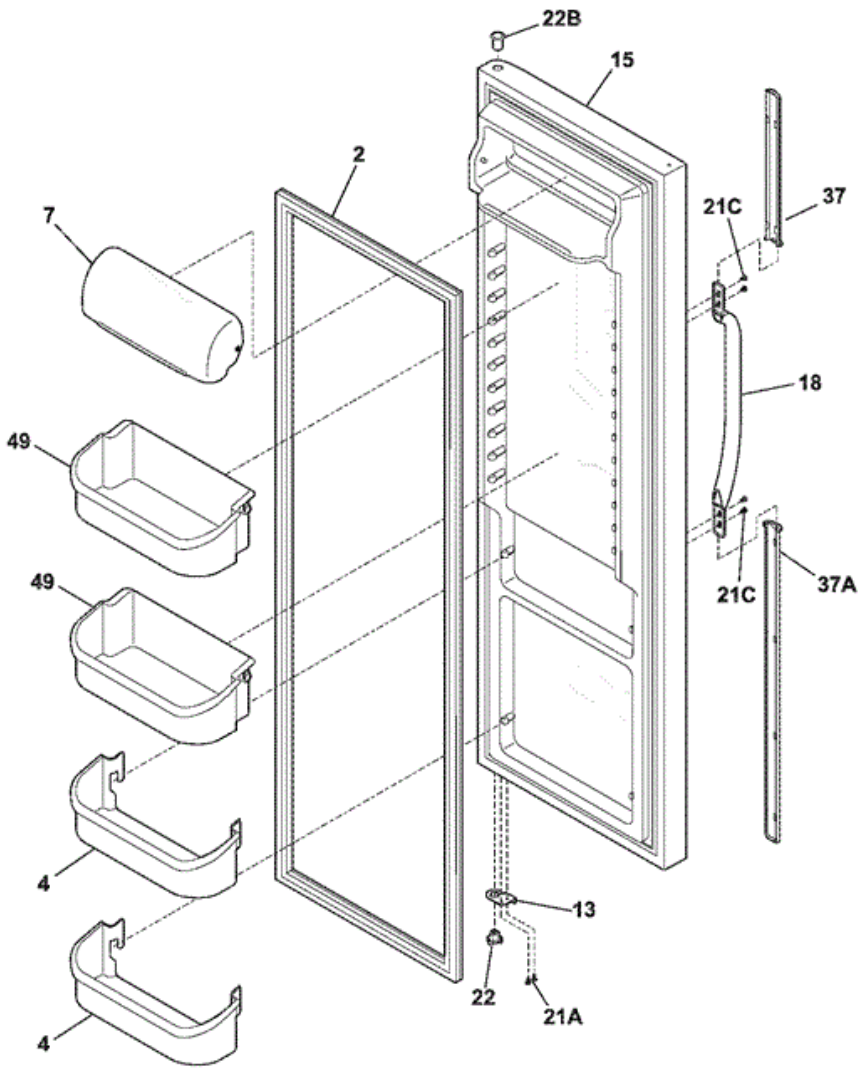




WRS23MF5AST FREEZER DOOR

1	241786008	GASKET-FRZR DOOR,BLACK ,MAGNETIC
11	241668184	DOOR-FRZR,STAINLESS ,COMPLETE ASSY
13A	240581906	DOOR STOP,BLACK ,FRZR
18	218762703	HANDLE-DOOR,BLACK
21A	240598402	SCREW,10-32 X 1/2
21C	218781101	SCREW,PAN HEAD ,8-18 X 0.625
22A	240328204	BEARING-HINGE(FRZ),BLACK ,CLOSER
22C	240328404	BEARING-HINGE,BLACK ,UPPER
37	218811620	TRIM-HANDLE,BLACK ,UPPER
37A	215782300	LOCK-HANDLE TRIM,SNAP-IN
37A	218676004	BAND-DECORATIVE,SATIN ALUMINUM ,HANDLE TRIM
37A	218811617	TRIM-HANDLE,BLACK ,LOWER
4A	240367307	BIN-DOOR,FRZR-UPPER
4B	240359007	BIN-DOOR
68	241525101	CHUTE-ICE
NI	218490901	CLEANER,STAINLESS STEEL
NI	240552101	HARNESS-WIRING,DOOR
NI	241806601	CONNECTOR-WATER,STRAIGHT
NI	5303918256	DISPENSER HEATER KIT

**WRS23MF5AST REFRIGERATOR
 DOOR**

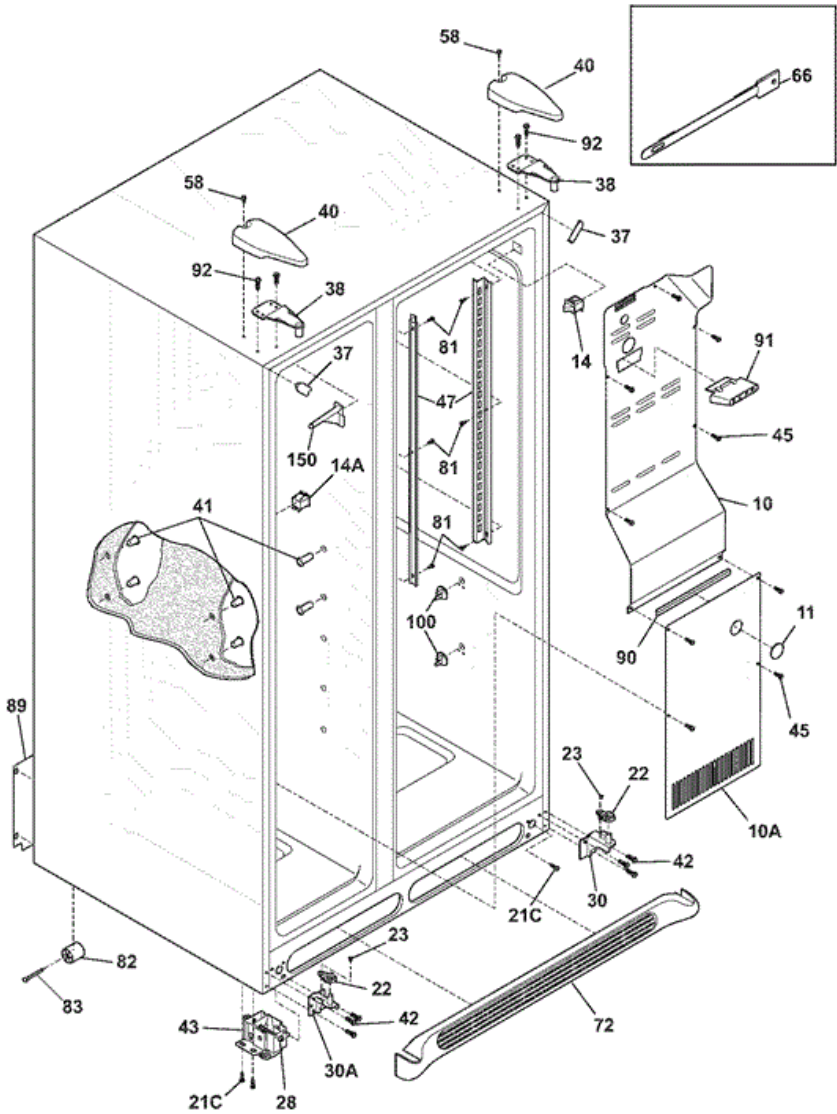




WRS23MF5AST REFRIGERATOR DOOR

2	241786007	GASKET-REFR DOOR,BLACK ,MAGNETIC
4	240363707	BIN-DOOR,2-LITER
7	240338310	DOOR-DAIRY,WATER BLUE
13	240581905	DOOR STOP,BLACK ,REF
15	241534528	DOOR-REFR,STAINLESS ,COMPLETE ASSY
18	218762703	HANDLE-DOOR,BLACK
21A	240598402	SCREW,10-32 X 1/2
21C	218781101	SCREW,PAN HEAD ,8-18 X 0.625
22	240328203	BEARING-HINGE,BLACK ,CLOSER
22B	240328404	BEARING-HINGE,BLACK ,UPPER
37	218811620	TRIM-HANDLE,BLACK ,UPPER
37A	215782300	LOCK-HANDLE TRIM,SNAP-IN
37A	218811617	TRIM-HANDLE,BLACK ,LOWER
49	240324509	BIN-DOOR,GALLON
NI	218490901	CLEANER,STAINLESS STEEL
NI	218676004	BAND-DECORATIVE,SATIN ALUMINUM ,HANDLE TRIM

WRS23MF5AST CABINET



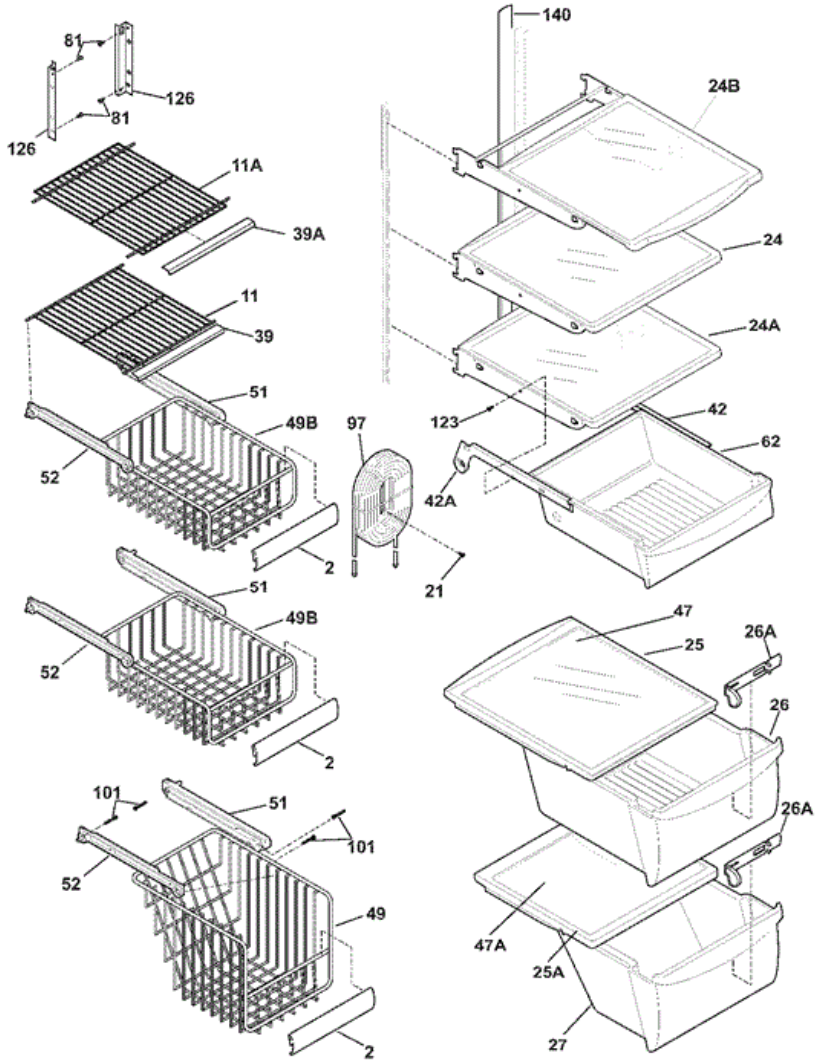


WRS23MF5AST CABINET

10	240435911	COVER-AIR DUCT
10A	240475910	COVER-EVAP COIL,LOWER
11	5303208309	PLUG-HOLE, FACTORY TEST
21C	218252201	SCREW,NO.8 TRUSS HD ,10-32CA X 0.500
22	240457702	PLATE-DOOR CLOSER
23	240402702	SCREW-NO.10-32 X 1/4 FLAT HD
28	241708801	BOLT-ROLLER ADJ,HEX WASHER HEAD
30	241603703	BRACKET-LOWER HINGE, REF
30A	241603704	BRACKET-LOWER HINGE
37	240337610	TRIM-CABINET CORNER,BLACK ,(2)
38	240327207	BRACKET-UPPER HINGE
40	240327007	COVER-UPPER HINGE,BLACK
41	241550801	GROMMET-SHELF MTG,1.40` LONG
42	240578902	SCREW-HINGE MTG,HEX HEAD ,1/4-20 X 5/8
43	241709301	ROLLER ASSY,ADJUSTABLE ,FRONT ,(2)
45	241500303	SCREW,HEX WASHER HEAD ,8-18AB X 0.500
47	240349402	CHANNEL-SHELF MTG,SIDE ,(2)
58	218781101	SCREW,PAN HEAD ,8-18 X 0.625
66	5304424968	DAMPER COVER ASSY
72	240324405	GRILLE/KICKPLATE,BLACK
81	5304455650	SCREW,HEX WASHER HEAD ,8-15A X 0.625
82	5304418225	ROLLER,COMPRESSOR BASE ,REAR ,(2)
83	5304455655	RIVET,FLAT HEAD ,1/4 OD X 1-3/4 ,ROLLER PIN
89	241733901	COVER-ACCESS,W/LABEL
90	218249807	SEAL-COIL COVER
91	240380101	DUCT-ICE MAKER
92	241710601	SCREW,HEX WASHER HD ,1/4 X 7/8 ,HINGE MTG
100	240350802	SUPPORT,CRISPER COVER ,REAR ,(4)
100	240423701	SUPPORT,CRISPER COVER ,FRONT ,(4)
150	240368701	GUIDE-CONTROL BULB
F14	240505801	SWITCH-LIGHT/LAMP
F14A	241547901	SWITCH-LIGHT/LAMP,FRZR DOOR
NI	240396801	CLAMP,TUBE/WIRING ,NYLON ,BLACK/NATURAL

NI	240479601	PLUG,BUTTON ,CAB LINER HOLES
NI	240518802	PIN-PUSH,PUSH-IN ,PLASTIC
NI	241550701	GROMMET-SHELF MTG, .96`` LONG
NI	5303321321	PAINT, TOUCH-UP, BLACK

WRS23MF5AST SHELVES



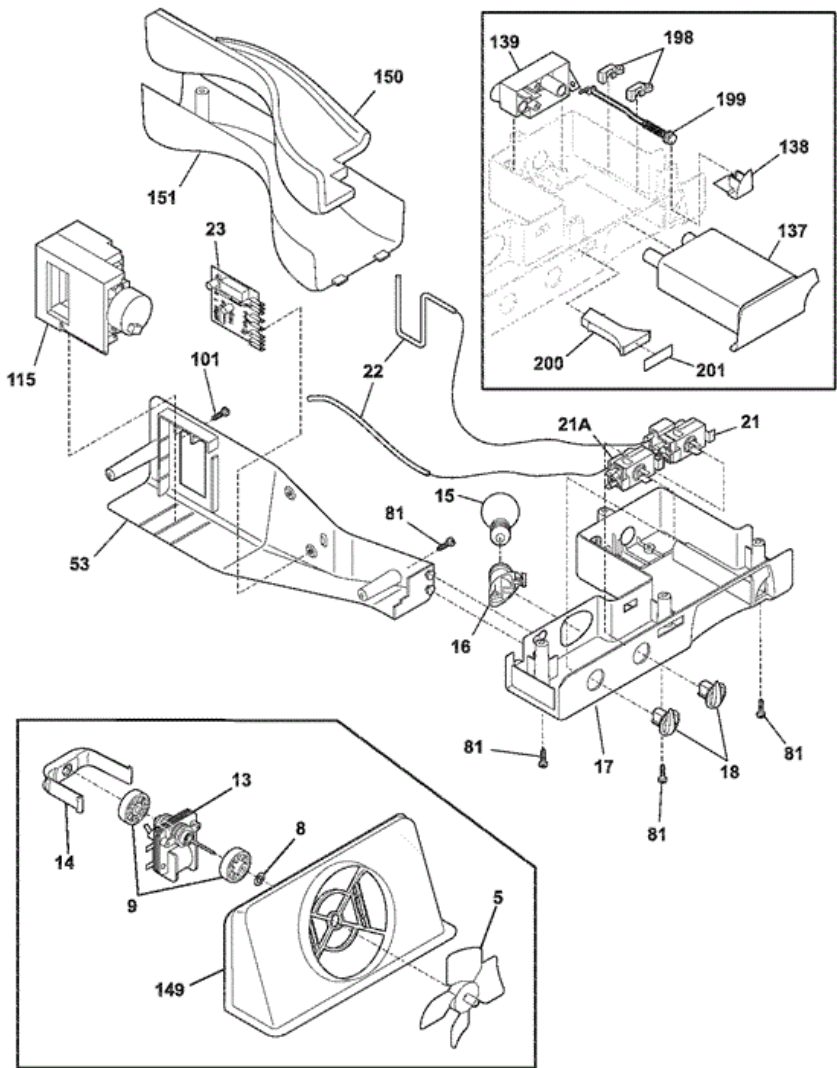


WRS23MF5AST SHELVES

2	241510603	TRIM-BASKET
11	241657601	SHELF,FLIP UP ,WIRE
11A	241657503	SHELF,FIXED UPPER ,FREEZER
21	5304455658	SCREW,HX WSHR HD SEMS ,8-15A X 0.625
24	240355234	SHELF-``SPILL-SAFE`` ,FIXED ,(3)
25	240354502	COVER-CRISPER PAN,UPPER
26	240354712	PAN-CRISPER,UPPER
27	240354813	PAN-CRISPER,LOWER
39	240430705	TRIM-SHELF,FRONT
42	240356501	TRACK,MEAT PAN HANGER ,RH
101	218493101	SCREW,HEX WASHER HEAD ,8-18AB X 1-3/4
123	215005101	SCREW,HANGER/RLR MTG ,8-10 X 7/16
126	241674401	CHANNEL,AUGER MTG ,LH
126	241674402	CHANNEL,AUGER MTG ,RH
140	240430501	CHANNEL,WTR TUBE COVER
24A	240355237	SHELF-``SPILL-SAFE`` ,FIXED
24B	240350121	SHELF-``SPILL-SAFE`` ,CANTILEVER ,SLIDING
25A	240354602	COVER-CRISPER PAN,LOWER
26A	240351104	CONTROL-HUMIDITY
39A	240430701	TRIM-SHELF,FRONT
42A	240349701	HANGER-MEAT PAN,LH
42A	240349901	BLOCK-MEAT PAN RAIL,LH
42A	240350001	Â SPRING-MEAT PAN RAIL
42A	240356701	SEAL-MEAT PAN
47	240443316	INSERT-PAN COVER,GLASS
47A	240350614	INSERT-PAN COVER,GLASS
49	240530401	BASKET-SLIDING
49B	240530501	BASKET-SLIDING,UPPER ,HALF
51	240343002	HANGER-BASKET,RH
52	240343102	HANGER-BASKET,LH
62	240355511	PAN-MEAT
81	5304455650	SCREW,HEX WASHER HEAD ,8-15A X 0.625
97	240545303	WATER TANK ASSY,COILED TUBING ,FRONT FILTER

NI	240349801	CLIP-SLIDE,PAN-CRISPER
NI	240362101	CLIP-SLIDE,COVER-CRISPER

WRS23MF5AST CONTROL





WRS23MF5AST CONTROL

8	215474201	WASHER, ``SLINGER`` ,NYLON ,EVAP FAN SHAFT
9	241563601	BUSHING-MOTOR MTG,(2)
13	240369702	MOTOR-EVAP FAN
14	241517701	CLIP ,EVAP FAN MOTOR
15	240436702	LIGHT BULB/LAMP ,A-15 ,CLEAR ,40 W ,120
16	241513901	SOCKET-LIGHT
17	240374903	BOX-CONTROL,FRONT
18	240360801	KNOB-TEMP CONTROL
22	218660704	TUBE,INSULATOR ,PLASTIC
53	240369501	BOX-CONTROL
81	5304455650	SCREW,HEX WASHER HEAD ,8-15A X 0.625
101	241637202	SCREW,NO.8AB X 1 3/4``
115	241600905	DAMPER ASSY,W/SEAL
137	240396404	FILTER,WATER ,CARBON CASSETTE ,FRONT
138	240397301	BUTTON-FILTER RELEASE
139	240396002	BASE-WATER FILTER
149	241563401	SHROUD-FAN ORFICE
150	240394203	INSULATION-WATER TUBE COVER
151	240373805	COVER-WATER TUBE
198	240397401	RETAINER
199	240397501	ROD
199	240398401	SPRING-FILTER RELEASE ROD
200	240397601	LIGHT PIPE
201	240398506	LABEL-CONTROL BOX
F137	240396701	BYPASS,WATER FILTER ,OPTIONAL PART
F139	240526901	O-RING,WTR FILTER BASE
F149	241528305	SEAL,SHROUD
F21	241586501	CONTROL-TEMPERATURE
F21A	5304429602	CONTROL-TEMPERATURE,FRZR SECTION
F23	241736601	CONTROL-DEFROST,ADAPTIVE TIMER ,PC BOARD
F5	5308000010	FAN BLADE,RED ,EVAPORATOR FAN
NI	241735702	HARNNESS-WIRING,CONTROL BOX
NI	5304455649	SCREW-TIMER MTG,PAN HD ,6-20 X 0.438 ,(2)

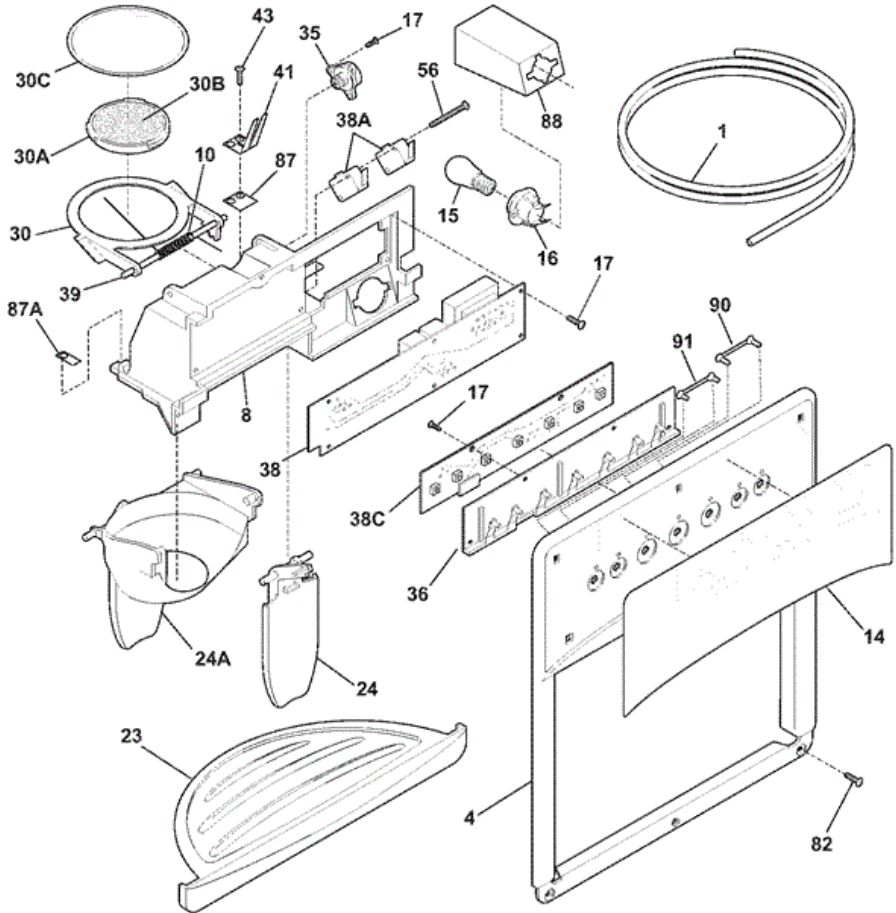


WRS23MF5AST SYSTEM

1	240333602	CONDENSER
3	218679606	BLOCK-EVAP COIL,STYROFOAM ,(2)
16	5308000110	STRAP-EVAP/HEATER,ALUMINUM ,(2)
21	5303918214	THERMOSTAT-DEFROST,KIT
22	240330010	BASE-COMPRESSOR
23	218513300	GROMMET-COMPR MTG,(4)
25	240491503	SCREW-COMPRESSOR MTG,1/4-28 X 1.16 ,(4)
26	241697601	PAN-DEFROST
32	241715901	STRAP-COVER
34	240405201	GROMMET,RUBBER ,BLACK ,COND TUBE/WIRE
41	240555002	SCREW-NO.8-32 X 3/8
44	215174700	CLAMP-SERVICE CORD, STRAIN RELIEF, GALV STEEL
45	5304455650	SCREW,HEX WASHER HEAD ,8-15A X 0.625 ,
55	218909913	CAPACITOR-RUN,220 VAC ,15 MICROFARAD
57	240542601	CLIP-WIRING HARNESS
58	218897004	SCREW,HEX WASHER HEAD ,8-32 X 0.375
59	5304430246	BRACKET-COND MOTOR ASSY
60	240525402	MOTOR,CONDENSOR FAN
62	240429401	TROUGH-DRAIN
70	218990801	BRACKET-EVAP/CVR MTG
82	5304418225	ROLLER,COMPRESSOR BASE ,REAR ,(2)
83	5304455655	RIVET,FLAT HEAD ,1/4 OD X 1-3/4 ,ROLLER PIN
84	5304421068	TUBE-DRAIN,LOWER
85	240346201	TUBE-CONNECTOR,SUCTION
F14	240316107	HEATER-DEFROST
F15	5303918286	EVAPORATOR KIT
F29	5303918353	COMPRESSOR KIT
F30	241707709	STARTER
F4	218944001	DRIER-FILTER,R134A SYSTEM
F6	241586801	HARNESS-WIRING,MACHINE COMPT
F61	240524101	FAN BLADE,GALV STEEL ,CONDENSER FAN
NI	218252201	SCREW,NO.8 TRUSS HD ,10-32CA X 0.500
NI	240346701	TAPE-FOAM SEAL,SHROUD

NI	240359403	SCREW-FAN SHROUD,(2)
NI	241651601	HARNESS-WIRING
NI	241735702	HARNESS-WIRING,CONTROL BOX
NI	5303918222	HOT TUBE REPAIR KIT,SERVICE
NI	5303918328	HEAT EXCHANGER KIT,SUCTION LINE ,SERVICE

**WRS23MF5AST ICE & WATER
 DISPENSER**





WRS23MF5AST ICE & WATER DISPENSER

1	218976409	TUBE-WATER-DOOR
4	241678703	COVER-MODULE,BLACK
8	241680507	MODULE-DISPENSER
10	241688901	SPRING-TORSION
14	240323945	LABEL-MODULE COVER,BLACK
15	241689401	LIGHT BULB
16	240548901	SOCKET-LIGHT
17	241679801	SCREW
23	241649003	DRIP TRAY,BLACK
24	241682003	ACTUATOR-WATER,BLACK
24A	241681903	ACTUATOR-ICE,BLACK
30	241688401	DOOR ASSY-ICE CHUTE
30A	241688501	DOOR CENTER
30B	241688601	INSULATION-DOOR
30C	241688701	DOOR SEAL
35	241689301	DAMPER-ROTARY
36	241680301	CARRIER
38A	241689101	SWITCH-MICRO,SINGLE POLE ,DOUBLE THROW
38C	241680001	HARNESS-RIBBON CABLE
38C	241708303	BOARD-CONTROL
39	241688801	PIN-HINGE
41	241689001	SPRING-ACTUATOR
43	215296301	SCREW,PLASK H/L ,NO.6 X 3/8
56	241689201	SCREW-MICRO SWITCH,PAN HEAD
82	240363402	SCREW-NO.8-18 X 1/2,NO.6 HD PLASK
87	241688302	BEARING PLATE
87A	241688301	BEARING PLATE
88	241686101	SHIELD-LIGHT
90	241680201	LIGHT PIPE,REFLECTOR ,LONG
91	241680101	LIGHT PIPE,REFLECTOR ,SHORT
F38	241708201	BOARD-POWER
NI	218976418	TUBE-WATER INLET,INLET VALVE ,TO FILTER
NI	218976419	TUBE-WATER INLET,VALVE TO DOOR

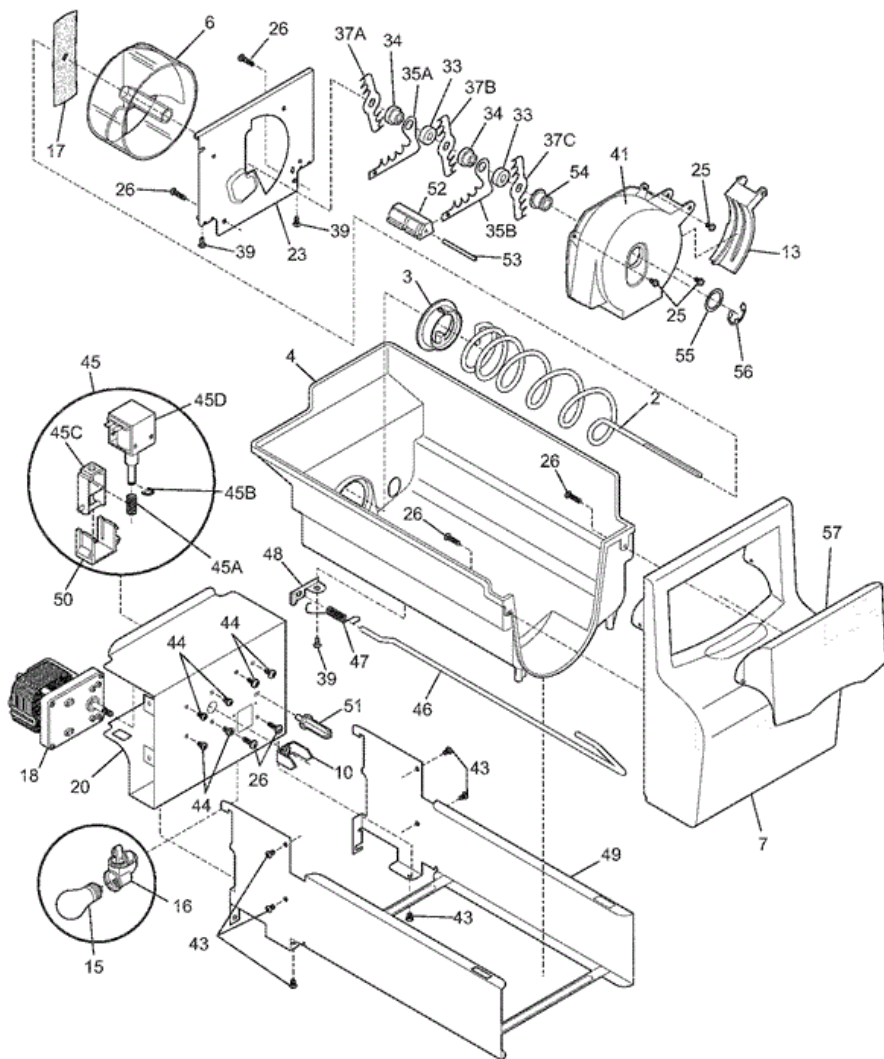
NI	218976915	TUBE-WATER INLET,INLET VALVE ,TO FILTER
NI	240363401	SCREW-NO.8-18 X 1/2,NO.6 HD PLASK
NI	240561701	SEAL-WATER INLET,INLET VALVE ,TO ICE MAKER
NI	241686201	INSULATOR-ELECTRICAL
NI	5303918256	DISPENSER HEATER KIT
NI	5304426535	INSULATOR-ELECTRICAL

Distribuidor Autorizado

SurteRápido.com

Venta de Refacciones
Electrodomesticas

WRS23MF5AST ICE CONTAINER





WRS23MF5AST ICE CONTAINER

2	241716101	AUGER-ICE
3	241685201	CAM-DRIVE
4	241734001	CONTAINER-ICE,BUCKET ONLY
6	241685101	DRUM-ICE DISP
7	241734201	FRONT-ICE CONTAINER
10	241624801	BAR-DRIVE
13	241685301	GATE
15	240436702	LIGHT BULB/LAMP,A-15 ,CLEAR ,40 W ,120
16	241559801	SOCKET-LIGHT
17	241684501	DRIVE BLADE
20	241734802	COVER-MOTOR
23	241684001	PLATE-FRONT
25	241690701	SCREW,HEX WASHER HEAD ,8-32T X 0.375
26	215503205	SCREW,CR PAN HD ,10-16 X 0.500
33	241684801	SPACER
34	241689801	SPACER
35A	241684301	FIXED BLADE,ROUND
35B	241684201	FIXED BLADE,SQUARE
37A	241684101	BLADE,CRUSHER NO.1
37B	241684102	BLADE,CRUSHER NO.2
37C	241684103	BLADE,CRUSHER NO.3
39	241690501	SCREW
41	241685601	HOUSING-CRUSHER
43	218359202	SCREW,PAN HEAD ,8-32 X 0.250
44	241842101	SCREW,8-32 X 1/4
45A	241675901	SPRING-SOLENOID
45B	241676001	E-RING-SOLENOID
45C	241676101	ACTUATOR-SOLENOID
46	241716002	CONTROL ROD
47	241731801	SPRING-CONTROL ROD
48	241684602	BRACKET-CONTROL ROD
49	241734401	RAIL ASSY
50	241675601	GUIDE-SOLENOID

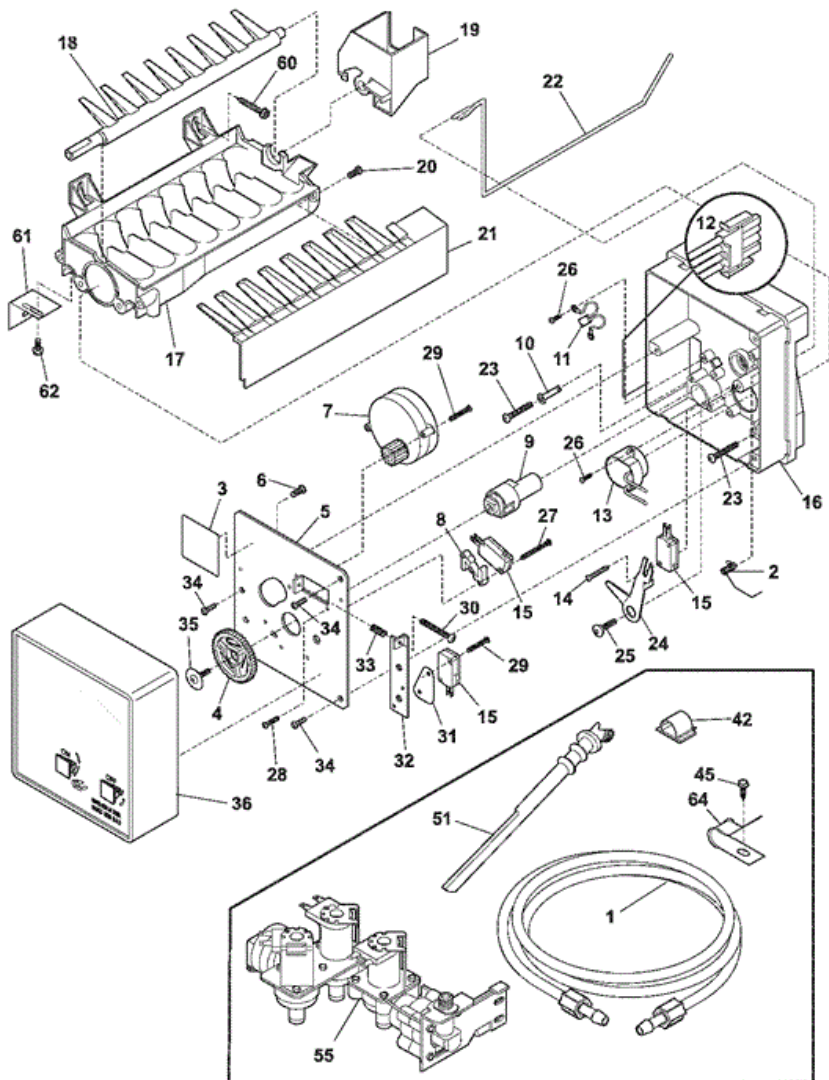
51	241676301	ROTATION STOP
52	241684901	SPACER-FIXED BLADES
53	241690402	PIN-SPIRAL, FIXED BLADES
54	241685001	NUT-AUGER
55	241690306	WASHER
56	241690201	E-RING
57	241734101	DOOR-ACCESS
F18	241676202	MOTOR-AUGER, 115V
F45	241675701	SOLENOID ASSY, 115V
F45D	241675801	SOLENOID, 115V
NI	240352601	WIRING HARNESS, INTERNAL ,WITH PLUG
NI	240507202	DEFLECTOR-ICE CONTAINER
NI	241860803	ICE CONTAINER ASSY,W/MOVING PARTS

Distribuidor Autorizado

SurteRápido.com

Venta de Refacciones
Electrodomesticas

WRS23MF5AST ICE MAKER





WRS23MF5AST ICE MAKER

1	218976409	TUBE-WATER-DOOR
2	5304456650	SPRING-SHUTOFF ARM,ICE MAKER
3	5304456657	NAMEPLATE
4	5304456658	GEAR
5	5304456659	PLATE-MOUNTING
6	5304456691	SCREW,M 3X20 NO.3 , VALVE PLATE
7	5304445222	MOTOR-ICE MAKER SVO
8	5304456661	SPACER-HOLD SWITCH
9	5304456662	CAM
10	5304456689	WASHER,NYLON
12	5304456664	HARNESS-WIRING
13	5304456665	THERMOSTAT,ICE MAKER
14	5304456666	SCREW,M 3X20 NO.2 ,(6)
16	5304456668	SUPPORT
17	5304456669	MOLD-ICE MAKER,W/THERM CUT OFF
18	5304456670	EJECTOR-ICE
19	5304456671	BEARING & INLET,FILL CUP
20	5304455677	SCREW,8-32 X 3/8
21	5304456672	ICE STRIPPER
22	5304456673	SHUT-OFF ARM
23	5304456674	SCREW,M 4X25 NO.2 ,MOLD-TO-SUPPORT ,(2)
24	5304456675	LEVER ARM
25	5304456676	SCREW,M 4X12.8 NO.2 ,LEVER ARM/SPRT
26	5304455680	SCREW,PLASK ,4-14 X 3/8
27	5304456677	SCREW,M 3X25 NO.3 ,HOLD SWITCH MTG ,(2)
28	5304456660	SCREW,M 4X6 NO.2
29	5304456678	SCREW,M 3X12 NO.3 ,(2)
30	5304456679	SCREW-TIMING ADJ,M 4X25 NO.3
31	5304456680	INSULATOR
32	5304456681	PLATE-VALVE SWITCH
33	5304456682	SPRING,TIMING ADJUST
34	5304456683	SCREW,M 4X12 NO.2 ,(3)
35	5304456684	SCREW

36	5304456685	COVER-ICE MAKER
42	218515403	CLIP-GRILLE
45	5304455650	SCREW,HEX WASHER HEAD ,8-15A X 0.625
51	241523501	TUBE-WATER,ICE MOLD FILL ,EXTENSION
60	5303207328	SCREW,HEX WASHER HEAD ,8-15A X 1.000 ,(2)
61	5304456686	BRACKET-LEVELING,ICE MAKER
62	5304456687	SCREW-IM BRKT MTG,SPECIAL ,8-32D X 0.375
64	5303001549	CLAMP,0.31 ID ,STEEL ,COPPER WTR LINE
F11	5304456663	THERMAL CUTOFF,ICE MAKER
F15	5304456667	SWITCH-MICRO,(3)
F55	241734301	VALVE-WATER,TRIPLE SOLENOID
NI	218709101	SCREW,HEX HEAD ,10-32 X 0.500
NI	218976418	TUBE-WATER INLET,INLET VALVE ,TO FILTER
NI	218976419	TUBE-WATER INLET,VALVE TO DOOR
NI	218976915	TUBE-WATER INLET,INLET VALVE ,TO FILTER
NI	240352601	WIRING HARNESS,INTERNAL ,WITH PLUG
NI	240363602	SCREW-SHOULDER
NI	240542901	CAP-WATER VALVE
NI	240561701	SEAL-WATER INLET,INLET VALVE ,TO ICE MAKER
NI	241642501	ICE MAKER,RADIUS CUBE ,115 V ,SVCE
NI	241642601	HARNESS-WIRING SVO
NI	241806601	CONNECTOR-WATER,STRAIGHT
NI	5304445223	SPRING BEAM
NI	5304455843	HARNESS-WIRING
NI	5304456688	TERMINAL
NI	5304456690	LABEL,ON/OFF
NI	5304456692	WASHER
NI	5304456693	NUT,M 3.5
NI	5304456737	WASHER