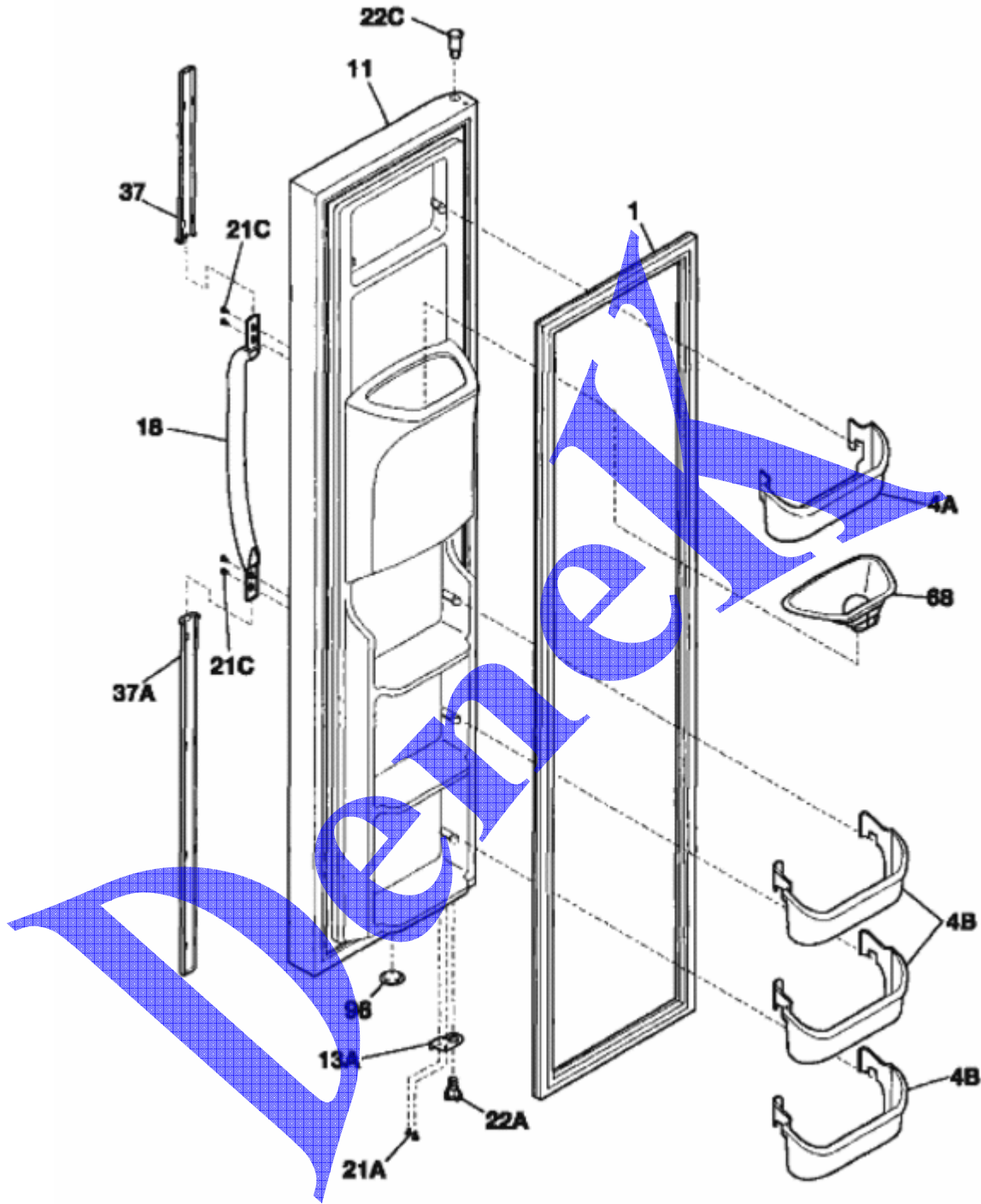


REFRIGERADOR WW MOD. WRS23MF5AS1

PUERTA CONGELADOR



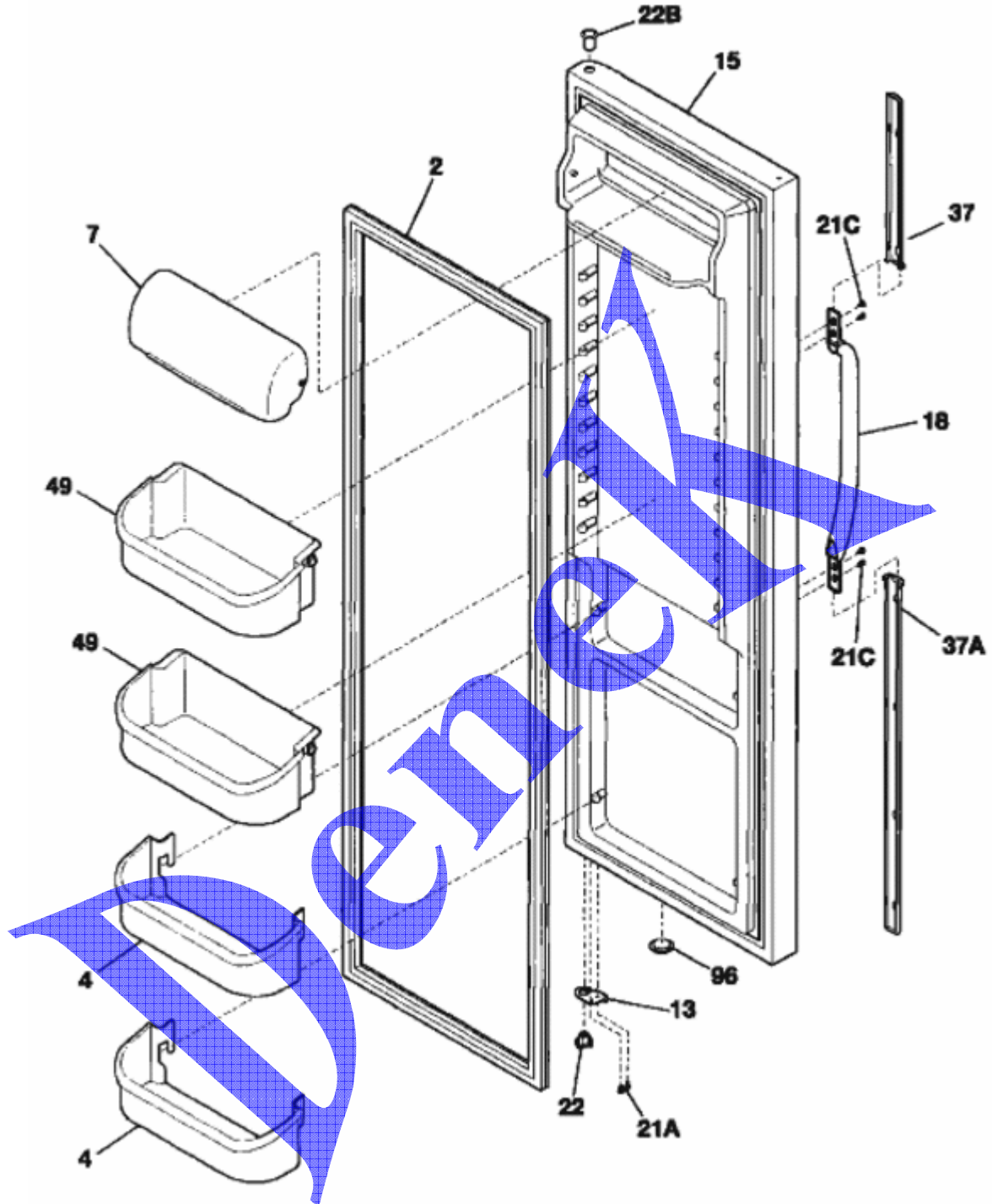
REFRIGERADOR WW MOD. WRS23MF5A1

PUERTA CONGELADOR

| | | |
|------|------------|---|
| 11 | 240451877 | Door-frzr,stainless steel ,complete assy |
| 18 | 218762703 | HANDLE-DOOR,BLACK |
| 37 | 218811620 | TRIM-HANDLE,BLACK ,UPPER |
| 68 | 240465801 | Chute-ice |
| 96 | 240345506 | Plug,door foam hole ,black |
| 37A | 218811617 | TRIM-HANDLE,BLACK ,LOWER |
| NI | 218490900 | Cleaner,stainless steel |
| NI | 218676004 | Band-decorative,satin aluminum ,handle trim |
| F37A | 215782300 | LOCK-HANDLE TRIM,SNAP-IN |
| 21C | 218781100 | SCREW,PAN HEAD ,8-18 X 0.625 |
| NI | 240323201 | Wiring Harness |
| 22A | 240328202 | Bearing-hinge,closer |
| 22C | 240328404 | Bearing-hinge,black ,upper |
| NI | 240352101 | Connector-water,straight |
| 4B | 240359007 | Bin-door |
| 4A | 240367307 | Bin-door,frzr-upper |
| F1 | 240390608 | Gasket-frzr door,black ,magnetic |
| 13A | 240456906 | Door Stop,black ,frzr |
| NI | 5303918256 | Dispenser heater kit |
| 21A | 5308016566 | Screw,hex washer head ,8-15A x 0.625 ,low profile |

REFRIGERADOR WW MOD. WRS23MF5AS1

PUERTA REFRIGERADOR



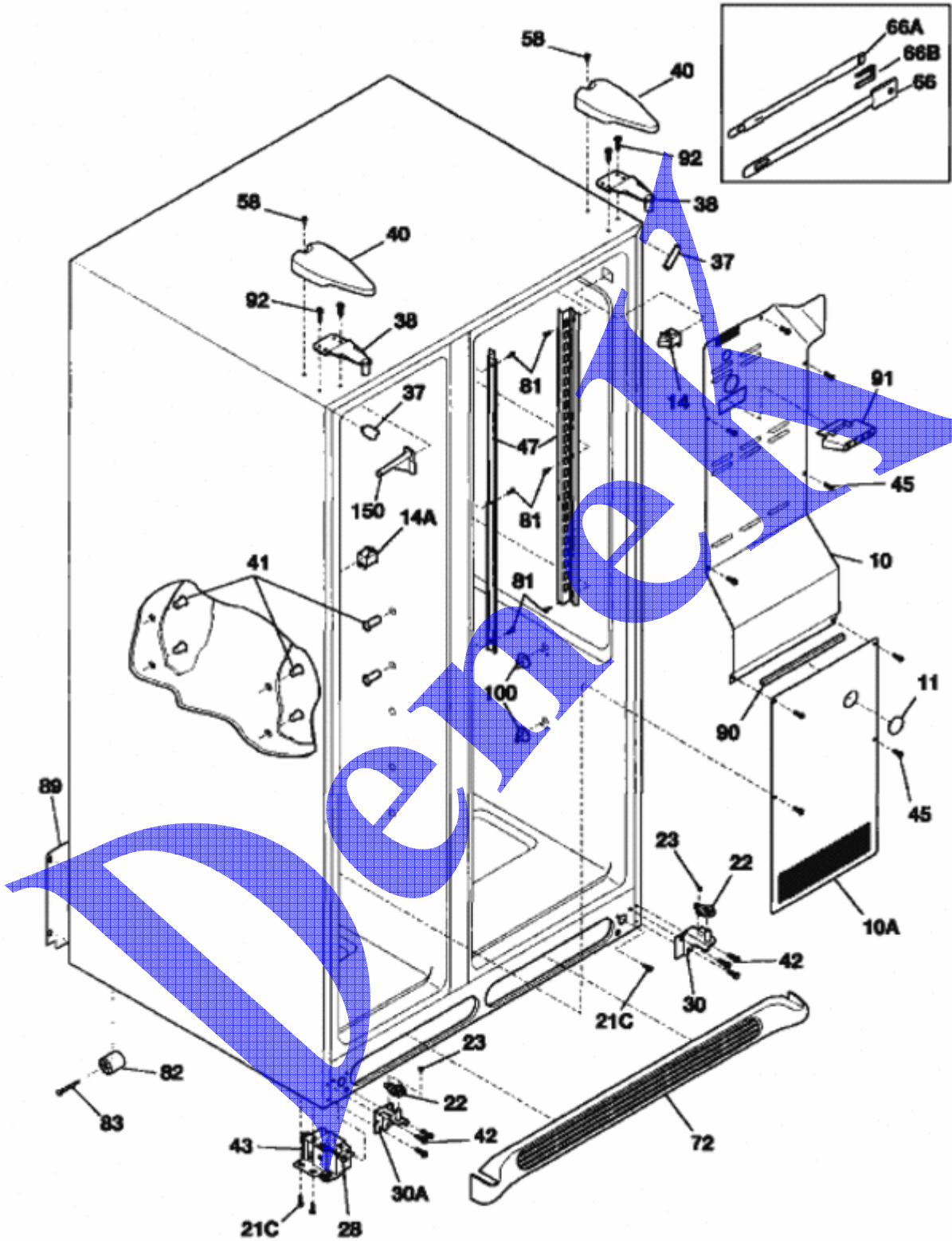
REFRIGERADOR WW MOD. WRS23MF5AS1

PUERTA REFRIGERADOR

| | | |
|------|------------|---|
| 4 | 240363707 | Bin-door,2-liter |
| 7 | 240338310 | Door-dairy,water blue |
| 13 | 240456905 | Door Stop,black ,ref |
| 15 | 240451944 | Door-refr,stainless steel ,complete assy |
| 18 | 218762703 | HANDLE-DOOR,BLACK |
| 22 | 240328201 | Bearing-hinge,closer |
| 37 | 218811620 | TRIM-HANDLE,BLACK ,UPPER |
| 49 | 240324509 | Bin-door,gallon |
| 96 | 240345506 | Plug,door foam hole ,black |
| F2 | 240390607 | Gasket-refr door,black ,magnetic |
| NI | 218490900 | Cleaner,stainless steel |
| NI | 218676004 | Band-decorative,satin aluminum ,handle trim |
| 22B | 240328403 | Bearing-hinge,upper |
| F37A | 215782300 | LOCK-HANDLE TRIM,SNAP-IN |
| 21C | 218781100 | SCREW,PAN HEAD ,8-18 X 0.625 |
| 37A | 218811617 | TRIM-HANDLE,BLACK ,LOWER |
| 21A | 5308016566 | Screw,hex washer head ,8-15A x 0.625 ,low profile |

REFRIGERADOR WW MOD. WRS23MF5AS1

GABINETE



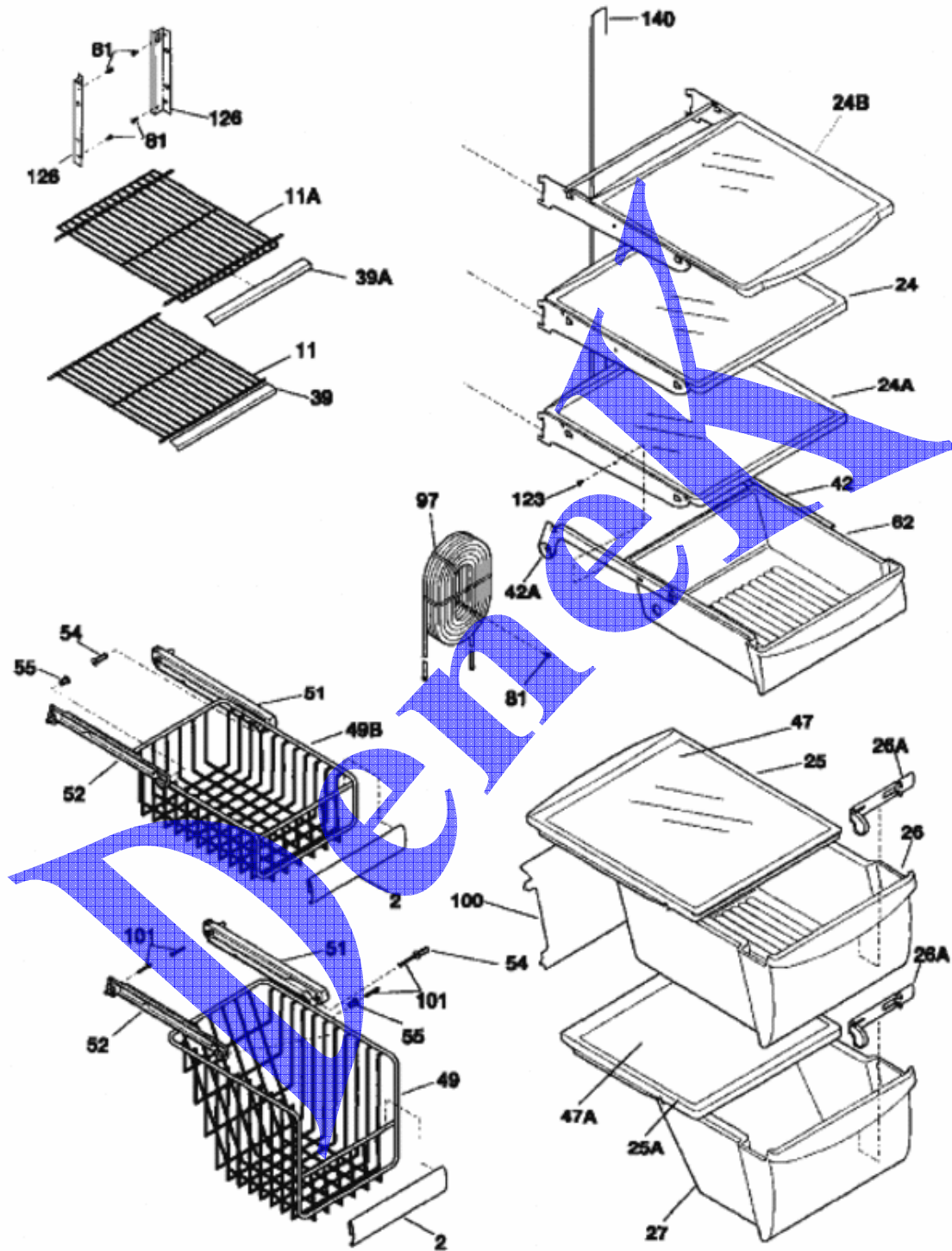
REFRIGERADOR WW MOD. WRS23MF5AS1

GABINETE

| | | |
|------|------------|--|
| 10 | 240435901 | Cover-air duct |
| 11 | 5303208309 | PLUG-HOLE,FACTORY TEST |
| 22 | 240457701 | Plate-door closer |
| 23 | 240402701 | Screw-No.10-32 x 1/4 flat hd |
| 28 | 240335501 | Bolt-roller adj,hex washer head ,1/4-20 x 4.020,(2) ,special |
| 30 | 240419103 | Bracket-lower hinge, ref |
| 37 | 240337603 | Trim-cabinet corner,black |
| 38 | 240327202 | Bracket-upper hinge |
| 40 | 240327003 | Cover-upper hinge,black |
| 41 | 240358701 | Grommet-shelf mtg,1.40` long |
| 42 | 240315301 | SCREW-HINGE MTG,HEX HEAD ,1/4-20 X 0.75 |
| 43 | 240335003 | ROLLER ASSY,FRONT ,(2) |
| 45 | 5303001343 | SCREW,HEX WASHER HEAD ,8-15A X 0.500 |
| 47 | 240349401 | Channel-shelf mtg,side ,(2) |
| 58 | 218749600 | Screw,No.10 pan hd ,8-18 x .5 |
| 66 | 240504901 | Cover-damper |
| 72 | 240324405 | Grille/Kickplate,black |
| 81 | 5308016566 | Screw,hex washer head ,8-15A x 0.625 ,low profile |
| 82 | 5304418225 | Roller,compressor base ,rear ,(2) |
| 83 | 5303316859 | Rivet,flat head ,1/4 OD x 1-3/4 ,roller pin |
| 89 | 240326103 | Cover,access ,system compt ,with label |
| 90 | 218249807 | Seal-coil cover |
| 91 | 240380101 | Duct-ice maker |
| 92 | 5303001479 | SCREW-HINGE MTG,HEX HD ,1/4-20 X 0.875 |
| 100 | 240423701 | Support,crisper cover ,front ,(4) |
| 150 | 240368701 | Guide-control bulb |
| F100 | 240350802 | Support,crisper cover ,rear ,(4) |
| F14A | 215486600 | SWITCH-LIGHT/LAMP |
| NI | 5303305345 | PAINT,TOUCH-UP ,BLACK |
| 30A | 240419104 | Bracket-lower hinge |
| 10A | 240475901 | Cover-evap coil,lower |
| NI | 240479601 | Plug,button ,cab liner holes |
| 66A | 240505001 | Damper-meat keeper |
| 66B | 240355901 | Insulation-damper |
| NI | 240358801 | Grommet-shelf mtg,.875` long |
| NI | 240396801 | Clamp,tube/wiring ,nylon ,black/natural |
| F14 | 240413601 | Switch,light/lamp ,rocker |
| 21C | 218252200 | Screw,No.8 truss hd ,10-32CA x 0.500 |
| F66B | 240518802 | Pin-push,push-in ,plastic |
| NI | 240481601 | Shim-lower hinge |

REFRIGERADOR WW MOD. WRS23MF5AS1

CAJONES



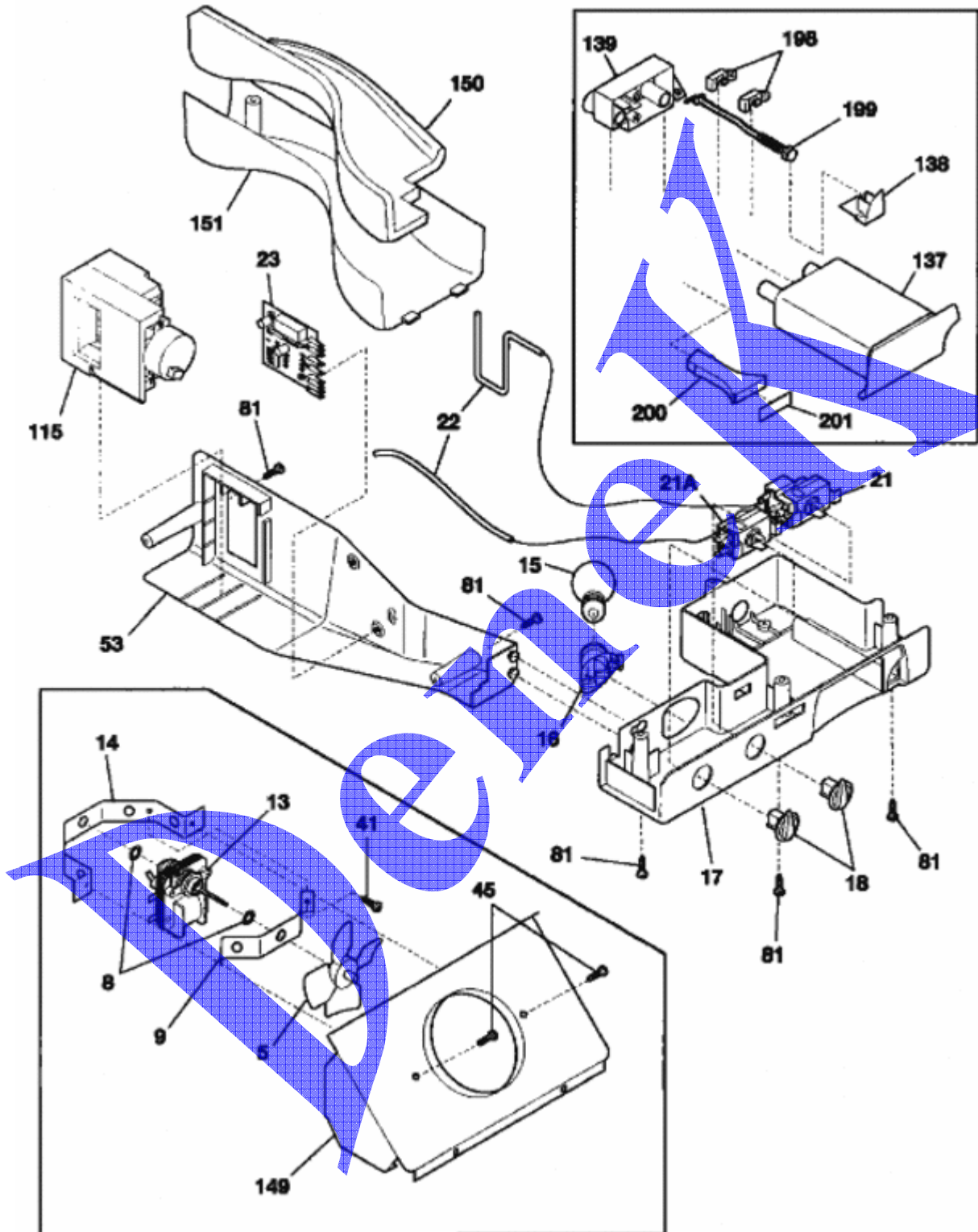
REFRIGERADOR WW MOD. WRS23MF5AS1

CAJONES

| | | |
|------|------------|---|
| 2 | 240434601 | Trim-basket |
| 11 | 240338801 | Shelf-freezer,flip-up |
| 24 | 240355234 | Shelf-`Spill-Safe`,fixed ,(3) |
| 25 | 240354502 | Cover-crisper pan,upper |
| 26 | 240354712 | Pan-crisper,upper |
| 27 | 240354813 | Pan-crisper,lower |
| 39 | 240430705 | Trim-shelf,front |
| 42 | 240356501 | Hanger-meat pan,RH |
| 47 | 240443316 | Insert-pan cover,glass |
| 49 | 240338401 | Basket-sliding |
| 51 | 240343002 | Hanger-basket,RH |
| 52 | 240343102 | Hanger-basket,LH |
| 54 | 240351901 | Plug-hanger,right hand |
| 55 | 240352001 | Plug-hanger,left hand |
| 62 | 240355511 | PAN-MEAT |
| 81 | 5308016566 | Screw,hex washer head ,8-15A x 0.625 ,low profile |
| 97 | 240453003 | Water Tank Assy,coiled tubing ,front filter |
| 100 | 240326301 | Cover-water tank |
| 101 | 218493100 | SCREW,HEX WASHER HEAD ,8-18AB X 1-3/4 |
| 123 | 215005100 | SCREW-ROLLER/HANGER,8-10 X 0.438 |
| 126 | 218867401 | CHANNEL,AUGER MTG ,LH |
| 126 | 218867402 | CHANNEL,AUGER MTG ,RH |
| 140 | 240430501 | Channel,wtr tube cover |
| 39A | 240430701 | Trim-shelf,front |
| NI | 240349801 | Clip-slide,pan-crisper |
| F42A | 240349901 | Block-meat pan rail,LH |
| 24B | 240350121 | Shelf-`Spill-Safe`,cantilever ,sliding |
| 47A | 240350614 | Insert-pan cover,glass |
| 26A | 240351104 | Control-humidity |
| NI | 240522120 | Label,energy guide |
| 25A | 240354602 | Cover-crisper pan,lower |
| 24A | 240355237 | Shelf-`Spill-Safe`,fixed |
| F42A | 240356701 | Seal-meat pan |
| 49A | 240338501 | Basket-sliding,upper ,half |
| 11B | 240338703 | Shelf-freezer,fixed wire |
| 42A | 240349701 | Hanger-meat pan,LH |
| F42A | 240350001 | Spring-meat pan rail |
| NI | 240362101 | Clip-slide,cover-crisper |

REFRIGERADOR WW MOD. WRS23MF5AS1

CONTROLES



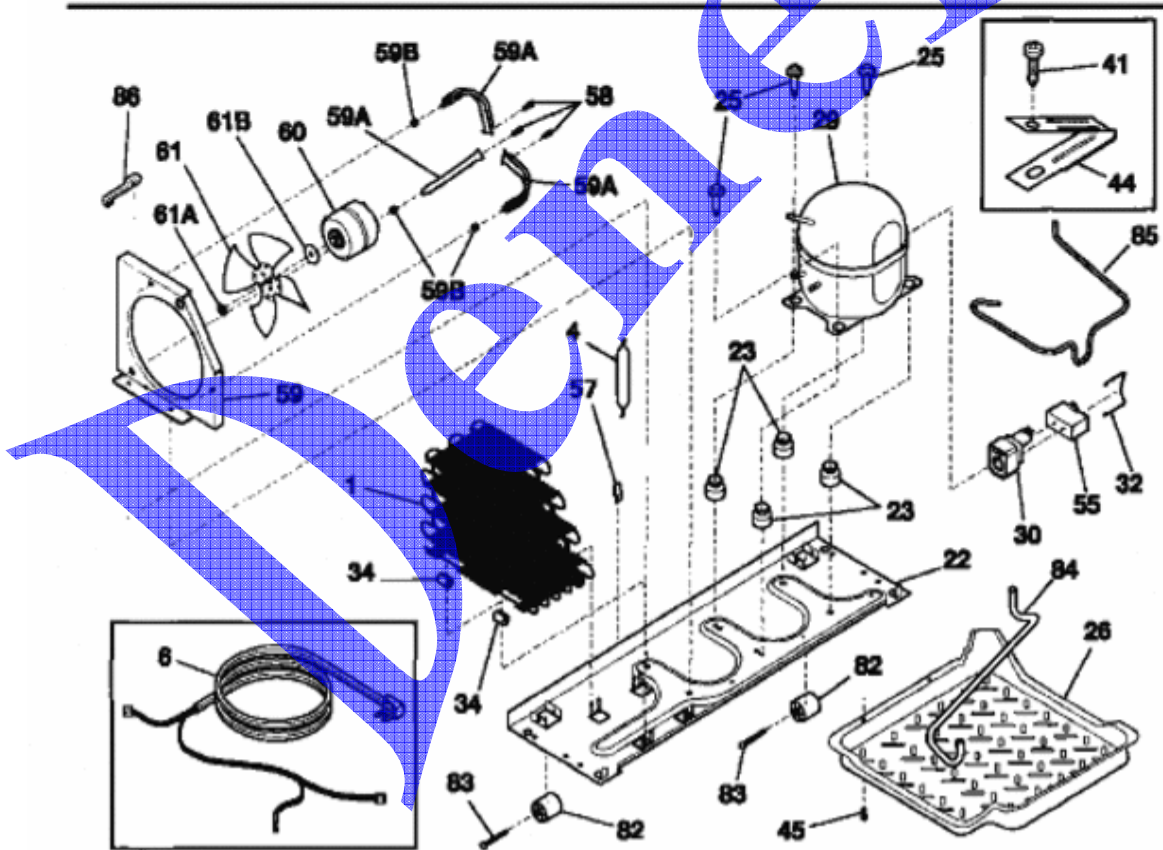
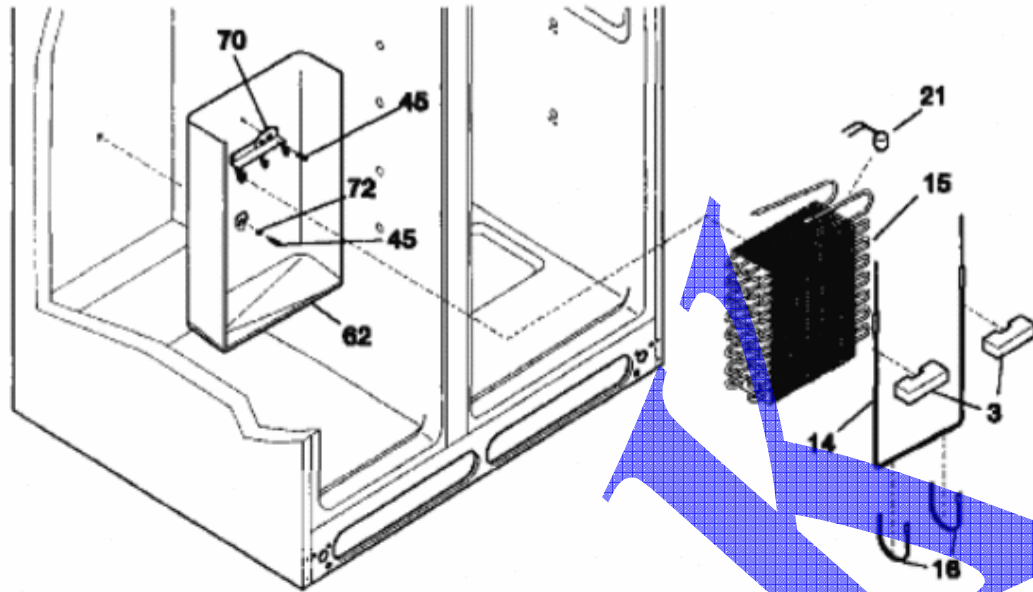
REFRIGERADOR WW MOD. WRS23MF5AS1

CONTROLES

| | | |
|------|------------|--|
| 8 | 5300157666 | BUSHING-MOTOR MTG,(2) |
| 9 | 5303292396 | BRACKET-MOTOR MTG,FRONT |
| 14 | 5303292397 | BRACKET-MOTOR MTG,REAR |
| 15 | 240436701 | Light Bulb/Lamp,A-15 ,40 W ,120 V ,miniature |
| 16 | 218906801 | SOCKET-LIGHT/LAMP |
| 17 | 240374903 | Box-control,front |
| 18 | 240360801 | Knob,temp control |
| 22 | 218660702 | Tube-insulator |
| 23 | 240375803 | Control-defrost,adaptive timer ,PC board |
| 41 | 5308000039 | SCREW,HEX WASHER HEAD ,8-32CA X 0.500 ,SERRATED HEAD |
| 45 | 5308016566 | Screw,hex washer head ,8-15A x 0.625 ,low profile |
| 53 | 240369501 | Box-control |
| 81 | 5303001343 | SCREW,HEX WASHER HEAD ,8-15A X 0.500 |
| 115 | 240521101 | Damper Assy,w/seal |
| 137 | 240396404 | Filter,water ,front ,with o`rings ,cassette |
| 138 | 240397301 | Button-filter release |
| 139 | 240396001 | Base-water filter |
| 149 | 240331601 | Shroud-fan orifice |
| 150 | 240394203 | Insulation-water tube cover |
| 151 | 240373805 | Cover-water tube |
| 198 | 240397401 | Retainer |
| 199 | 240397501 | Rod |
| 200 | 240397601 | Light pipe |
| 201 | 240398506 | Label-control box |
| NI | 240439901 | Wiring Harness,controls |
| F137 | 240396701 | Bypass,water filter ,Optional Part |
| NI | 215474201 | Washer, ``slinger`` ,nylon ,evap fan shaft |
| F13 | 240315803 | Motor-evap fan |
| F21 | 240375906 | Control-temperature |
| F199 | 240398401 | Spring-filter release rod |
| NI | 3205266 | EDGE PROTECTOR,WIRING HARNESS |
| NI | 5303001259 | SCREW-TIMER MTG,PAN HD ,6-20 X 0.438 ,(2) |
| 21A | 5304421067 | Control-temperature,frzr section |
| F5 | 5308000010 | FAN BLADE,RED ,EVAPORATOR FAN |

REFRIGERADOR WW MOD. WRS23MF5AS1

SISTEMA



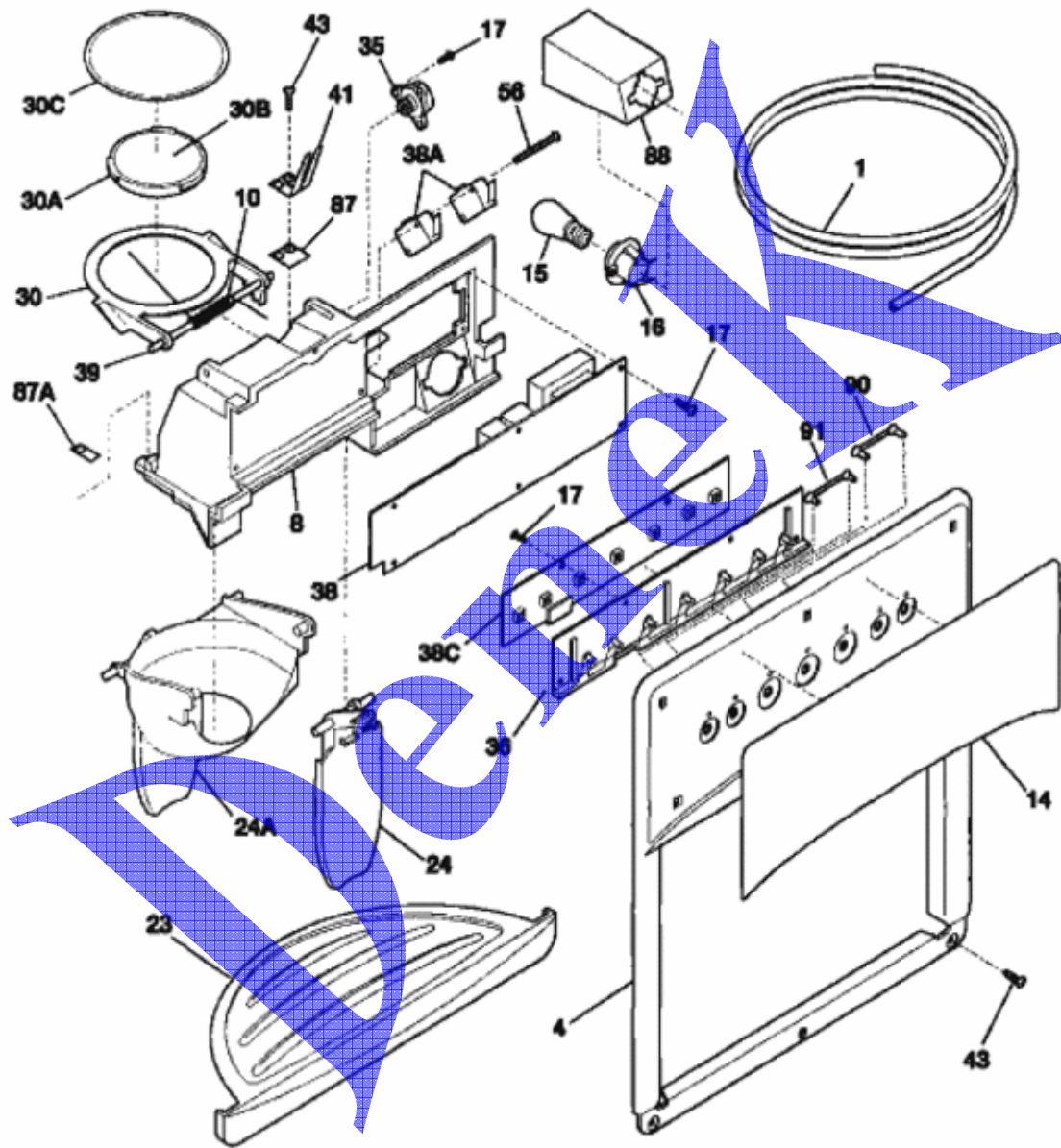
REFRIGERADOR WW MOD. WRS23MF5AS1

SISTEMA

| | | |
|-----|------------|---|
| 1 | 240333602 | Condenser |
| 3 | 218679606 | Block-evap coil,styrofoam ,(2) |
| 6 | 240346402 | Harness-wiring,machine compt |
| 16 | 5308000110 | STRAP-EVAP/HEATER,ALUMINUM ,(2) |
| 21 | 5303918214 | Thermostat-defrost,kit |
| 22 | 240330002 | Plate-compr mtg |
| 23 | 218513300 | GROMMET-COMPR MTG,(4) |
| 25 | 240491501 | Screw-compressor mtg,hex washer head ,1/4-28 x 1.16,shoulder,typ CF |
| 26 | 240332602 | Pan-defrost drain |
| 32 | 218973501 | Clamp,elec cont mtg ,compressor |
| 34 | 240405201 | Grommet,rubber ,black ,cond tube/wire |
| 41 | 218897001 | SCREW,HEX WASHER HEAD ,8-32 X 1/4 |
| 44 | 5303001199 | CLAMP-WIRING HARNESS,STRAIN RELIEF ,GALV STEEL |
| 45 | 5308016566 | Screw,hex washer head ,8-15A x 0.625 ,low profile |
| 57 | 240403601 | Clip-wiring harness |
| 58 | 215004600 | Screw,hx serr wshr hd ,8-36 x 7/16 ,cond fan motor,(2) |
| 59 | 240315501 | SHROUD-COND FAN |
| 62 | 240429401 | Trough-drain |
| 70 | 218990801 | BRACKET-EVAP/CVR MTG |
| 72 | 218397000 | BUTTON-HANDLE MTG,DOVETAIL |
| 82 | 5304418225 | Roller,compressor base ,rear ,(2) |
| 83 | 5303316859 | Rivet,flat head ,1/4 OD x 1-3/4 ,roller pin |
| 84 | 5304421068 | Tube-drain,lower |
| 85 | 240346201 | Tube-connector,suction |
| 86 | 240409302 | Spacer-cond tube,black |
| NI | 5308000039 | SCREW,HEX WASHER HEAD ,8-32CA X 0.500 ,SERRATED HEAD |
| FNI | 5303918213 | Heat Exchanger Kit,suction line |
| F29 | 5303918251 | Compressor,w/electricals |
| F15 | 5303918271 | Evaporator Kit |
| F61 | 240315401 | Fan Blade,galv steel ,condenser fan |
| F60 | 240334004 | Motor-condenser fan |
| 59A | 240346501 | Bracket-support,cond mtr ,(3) |
| 59B | 240346601 | Grommet-bracket,(3) |
| NI | 240346701 | Tape-foam seal,shroud |
| NI | 240359401 | SCREW-FAN SHROUD,(2) |
| NI | 240315901 | Harness-wiring |
| 61A | 215004700 | NUT,SPEED |
| 61B | 215004800 | GROMMET-SILENCER |
| NI | 215174700 | CLAMP-SERVICE CORD,STRAIN RELIEF ,GALV STEEL |
| F30 | 218721119 | Starter,PTC |
| F4 | 218944001 | DRIER-FILTER,R134A SYSTEM |
| NI | 240439901 | Wiring Harness,controls |
| F55 | 216787800 | Capacitor-run |
| FNI | 5303918222 | HOT TUBE REPAIR KIT,SERVICE |
| F14 | 5303918253 | Defrost Heater Kit |

REFRIGERADOR WW MOD. WRS23MF5A1

DISPENSADOR DE HIELO Y AGUA



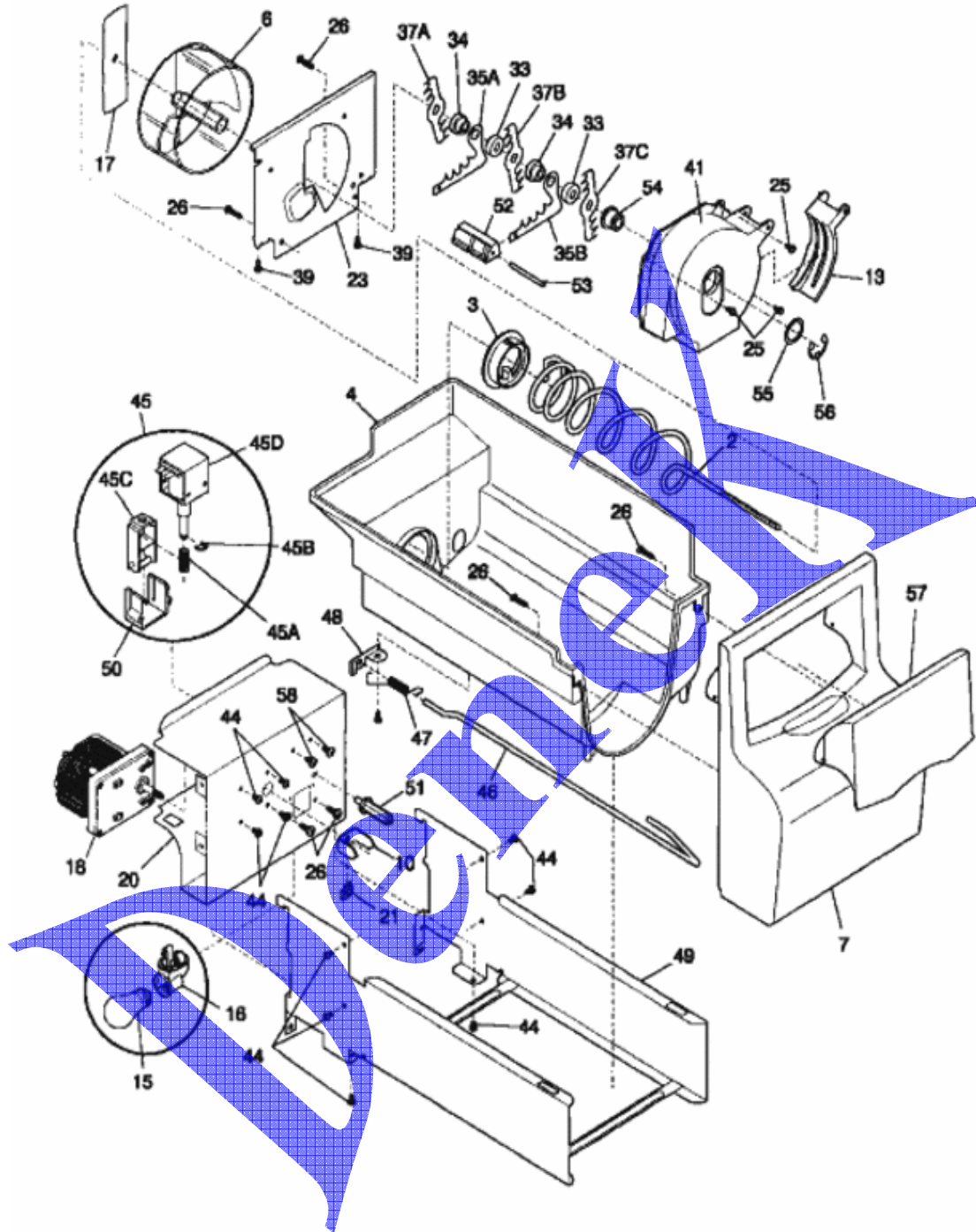
REFRIGERADOR WW MOD. WRS23MF5AS1

DISPENSADOR DE HIELO Y AGUA

| | | |
|------|------------|--|
| 1 | 218976410 | Tube-water inlet |
| 4 | 5304422012 | Cover-module,black |
| 8 | 5304422013 | Module-dispenser |
| 10 | 5304421626 | Spring-torsion |
| 14 | 240323945 | Label-module cover,black |
| 15 | 5304421616 | Light Bulb/Lamp |
| 16 | 215284900 | SOCKET-LIGHT/LAMP |
| 17 | 5304421619 | Screw |
| 23 | 240323603 | Drip Tray,black |
| 24 | 5304422026 | Actuator-water,black |
| 30 | 5304421628 | Door Assy-ice chute |
| 35 | 5304421620 | Damper-rotary |
| 36 | 5304421824 | Carrier |
| 38 | 5304421827 | Power Board |
| 39 | 5304421627 | Pin-hinge |
| 41 | 5304421829 | Spring-actuator |
| 43 | 215296300 | Screw,plask h/l ,No.6 x 3/8 |
| 56 | 5304421830 | Screw-micro switch,pan head |
| 87 | 5304421622 | Bearing Plate |
| 88 | 5304421615 | Shield-light |
| 90 | 5304421831 | Light Pipe,reflector |
| 91 | 5304421850 | Light Pipe,reflector ,short |
| 30A | 5304421624 | Door center |
| 30B | 5304421625 | Insulation-door |
| F38A | 5304421617 | Switch-micro,single pole ,double throw |
| NI | 218976901 | Tube-water inlet,inlet valve ,to ice maker |
| NI | 218976903 | Tube-water inlet,inlet valve ,to filter |
| NI | 218976907 | Tube-water inlet, valve to door |
| NI | 240363401 | Screw-No.8-18 X 1/2, No.6 hd plask |
| NI | 5303918256 | Dispenser heater kit |
| 30C | 5304421629 | Door seal |
| 87A | 5304421621 | Bearing Plate |
| 38C | 5304426004 | Board-control |
| 24A | 5304422025 | Actuator-ice,black |

REFRIGERADOR WW MOD. WRS23MF5AS1

CONTENEDOR DE HIELO



REFRIGERADOR WW MOD. WRS23MF5AS1

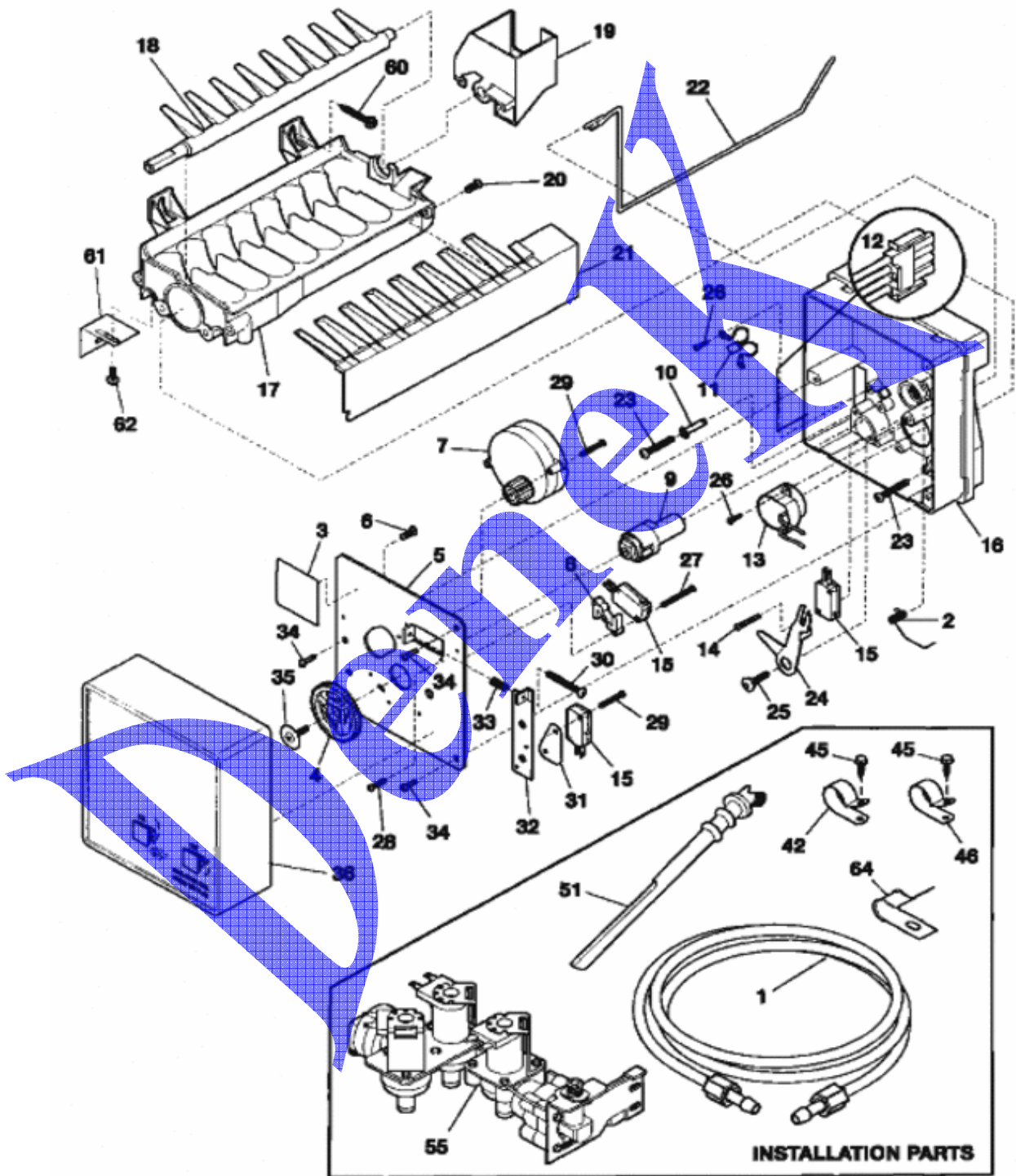
CONTENEDOR DE HIELO

| | | |
|----|------------|--------------------------------------|
| 2 | 5304404344 | AUGER-ICE |
| 3 | 5304404343 | CAM-DRIVE |
| 4 | 218815300 | Container-ice,bucket only |
| 6 | 5304404346 | DRUM-ICE DISP |
| 7 | 218815400 | FRONT-ICE CONTAINER |
| 10 | 5304404337 | BAR-DRIVE |
| 13 | 5304404359 | GATE |
| 15 | 5303001179 | LIGHT BULB/LAMP,40 W |
| 16 | 5303289050 | SOCKET-LIGHT/LAMP |
| 17 | 5304404345 | DRIVE BLADE |
| 18 | 240326901 | Motor-auger |
| 20 | 5304404332 | COVER-MOTOR |
| 21 | 215285100 | NUT-DRIVE |
| 23 | 5304404347 | PLATE-FRONT |
| 25 | 5304404362 | SCREW,HEX WASHER HEAD ,8-32T X 0.375 |
| 26 | 215503200 | SCREW,CR PAN HD ,10-16 X 0.500 |
| 33 | 5304404351 | SPACER |
| 34 | 5304404349 | SPACER |
| 39 | 5304404365 | SCREW |
| 41 | 5304404358 | HOUSING-CRUSHER |
| 44 | 218359200 | SCREW,PAN HEAD ,8-32 X 0.250 |
| 46 | 5304404341 | CONTROL ROD |
| 47 | 5304404342 | SPRING-CONTROL ROD |
| 48 | 5304404340 | BRACKET-CONTROL ROD |
| 49 | 5304404329 | RAIL ASSY |
| 50 | 5304404334 | GUIDE-SOLENOID |
| 51 | 5304404336 | ROTATION STOP |
| 52 | 5304404354 | SPACER-FIXED BLADES |
| 53 | 5304404355 | PIN-SPIRAL,FIXED BLADES |
| 54 | 5304404357 | NUT-AUGER |
| 55 | 5304404360 | WASHER |

| | | |
|-----|------------|--|
| 56 | 5304404361 | E-RING |
| 57 | 5304404363 | DOOR-ACCESS |
| 58 | 5304404331 | SCREW-SOLENOID |
| F45 | 5304404333 | SOLENOID ASSY |
| NI | 5304404335 | Wiring Harness, auger motor |
| 37C | 5304404356 | Blade, crusher No.3 |
| 35B | 5304404352 | Fixed Blade, square |
| 37A | 5304404348 | Blade, crusher No.1 |
| NI | 5304404364 | SCREW-BRACKET |
| 45B | 5304406817 | E-RING-SOLENOID |
| 45D | 5304406819 | SOLENOID |
| 37B | 5304404350 | Blade, crusher No.2 |
| 35A | 5304404353 | FIXED BLADE, ROUND |
| NI | 240507202 | Deflector-ice container |
| NI | 240323804 | Ice Container Assy, 3 position ,w/moving parts |
| 45A | 5304406816 | SPRING-SOLENOID |
| 45C | 5304406818 | ACTUATOR-SOLENOID |

REFRIGERADOR WW MOD. WRS23MF5AS1

ICE MAKER



REFRIGERADOR WW MOD. WRS23MF5AS1

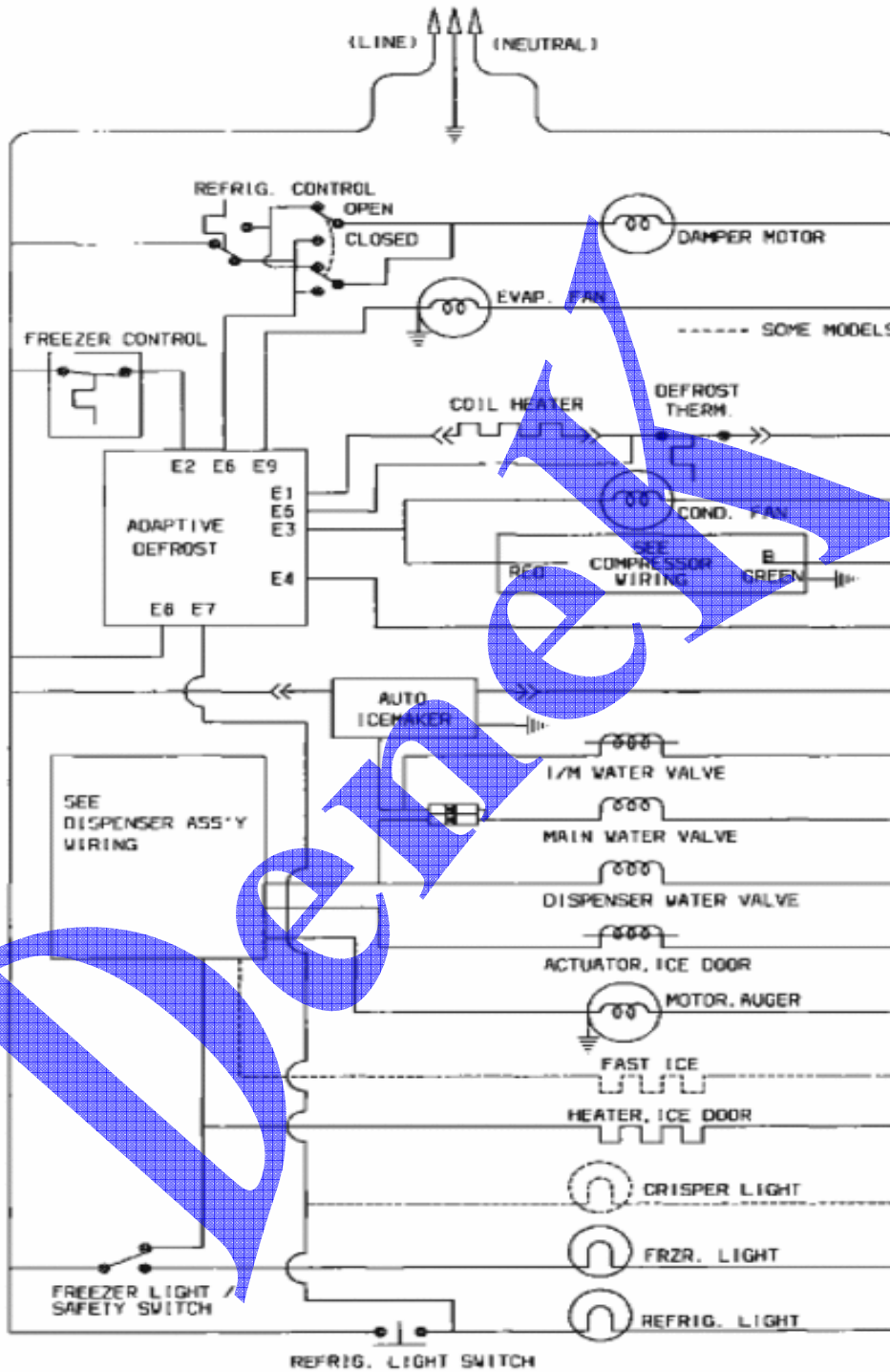
ICE MAKER

| | | |
|----|------------|--|
| 1 | 218976410 | Tube-water inlet |
| 2 | 5304420650 | Spring,shut-off arm |
| 3 | 3206299 | LABEL,ID PLATE |
| 4 | 3206301 | GEAR |
| 5 | 3206303 | PLATE-MOUNTING |
| 6 | 3206305 | SCREW-GROUND WIRE,8-32 X 0.250 |
| 8 | 3206312 | SPACER-HOLD SWITCH |
| 9 | 3206313 | CAM |
| 10 | 3206315 | CLAMP |
| 14 | 5304420652 | Screw,4 x 0.750 ,switch mtg. |
| 16 | 5304420653 | Support,phenolic |
| 18 | 3206328 | EJECTOR-ICE |
| 19 | 3206330 | BEARING & INLET |
| 20 | 5304408581 | SCREW,8-32 X 0.375 |
| 21 | 3206332 | ICE STRIPPER |
| 22 | 3206333 | SHUT-OFF ARM |
| 23 | 5304408582 | SCREW,8-32 X 0.875 ,MOLD-TO-SUPPORT ,(3) |
| 24 | 3206335 | LEVER ARM |
| 25 | 3206336 | SCREW,8-18 X 0.562 ,LEVER ARM/SPRT |
| 26 | 5304420654 | Screw-thermo/sprt,4-24 x 0.375 ,(4) |
| 27 | 3206338 | SCREW,4-40 X 1.000 ,HOLD SWITCH MTG ,(2) |
| 28 | 3206339 | SCREW-TIMING STOP,4-40 X 0.375 |
| 29 | 3206323 | SCREW,4-24 X 0.750 ,(6) |
| 30 | 3206341 | SCREW-TIMING ADJ,8-32 X 1.000 |
| 31 | 3206342 | INSULATOR |
| 32 | 3206343 | PLATE-VALVE SWITCH |
| 33 | 5304408583 | SPRING-TIMING ADJ |
| 34 | 5304420655 | Screw,plazscrew ,8-10 ,(3) |
| 35 | 5304408585 | SCREW |
| 36 | 3206347 | COVER-ICE MAKER |
| 42 | 218515402 | Clip,(2) ,tube mtg. |

| | | |
|-----|------------|--|
| 45 | 5303001343 | SCREW,HEX WASHER HEAD ,8-15A X 0.500 |
| 46 | 5303001193 | CLAMP,.50 ID ,STEEL ,WATER TUBE |
| 51 | 240387101 | Tube-water,ice mold fill ,extension |
| 60 | 5303207328 | SCREW,HEX WASHER HEAD ,8-15A X 1.000 ,(2) |
| 61 | 218721500 | Bracket-leveling,ice maker |
| 62 | 218737900 | SCREW-IM BRKT MTG,HEX WASHER HEAD ,8-32D X 0.375 |
| 64 | 5303001549 | Clamp,0.31 ID ,steel ,copper wtr line |
| FNI | 240508102 | Valve-water (Service),dual solenoid ,115 V |
| F7 | 3206306 | MOTOR-ICE MAKER |
| NI | 5303001199 | CLAMP-WIRING HARNESS,STRAIN RELIEF ,GALV STEEL |
| NI | 218873001 | CAP-WATER VALVE |
| NI | 218888001 | Adapter-water supply,nut & sleeve ,compression ftg |
| NI | 218976901 | Tube-water inlet,inlet valve ,to ice maker |
| NI | 218976903 | Tube-water inlet,inlet valve ,to filter |
| NI | 240352403 | Ice Maker,Radius Cube ,115 V ,no instl parts |
| F12 | 240352601 | Wiring Harness,ice maker ,internal ,with plug |
| FNI | 240508101 | Valve-water (Service),single solenoid |
| NI | 218976907 | Tube-water inlet, valve to door |
| F55 | 240321801 | Valve-water,triple solenoid |
| NI | 240363601 | Screw-shoulder |
| F11 | 3206319 | THERMAL CUTOFF,ICE MAKER ,COMPLETE ASSY |
| F13 | 3206322 | THERMOSTAT ASSY,ICE MAKER |
| F17 | 5303320545 | MOLD-ICE MAKER,RADIUS CUBE ,WITH HEATER |
| F15 | 3206324 | SWITCH,(3) |

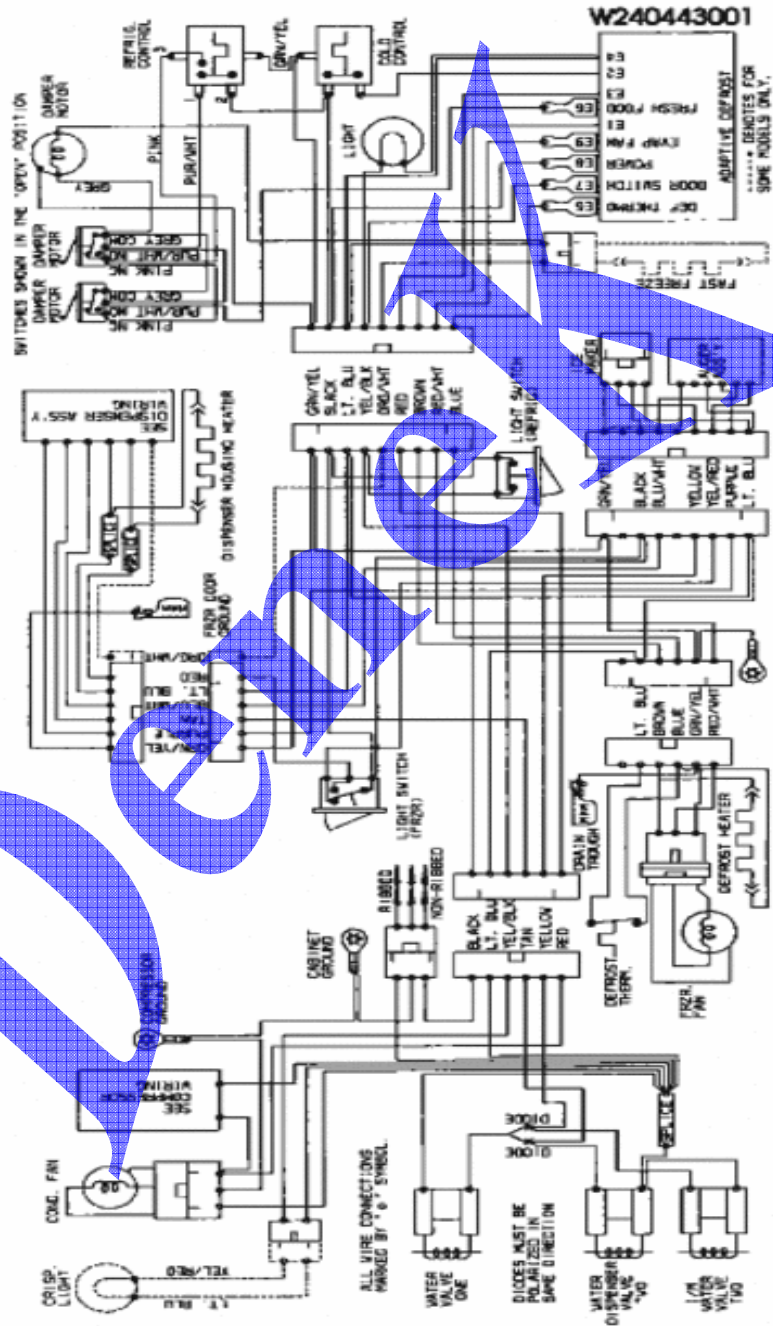
REFRIGERADOR WW MOD. WRS23MF5AS1

DIAGRAMA ELECTRICO



REFRIGERADOR WW MOD. WRS23MF5AS1

DIAGRAMA ELECTRICO



= Fast-moving Parts
 * = Non-illustrated Parts