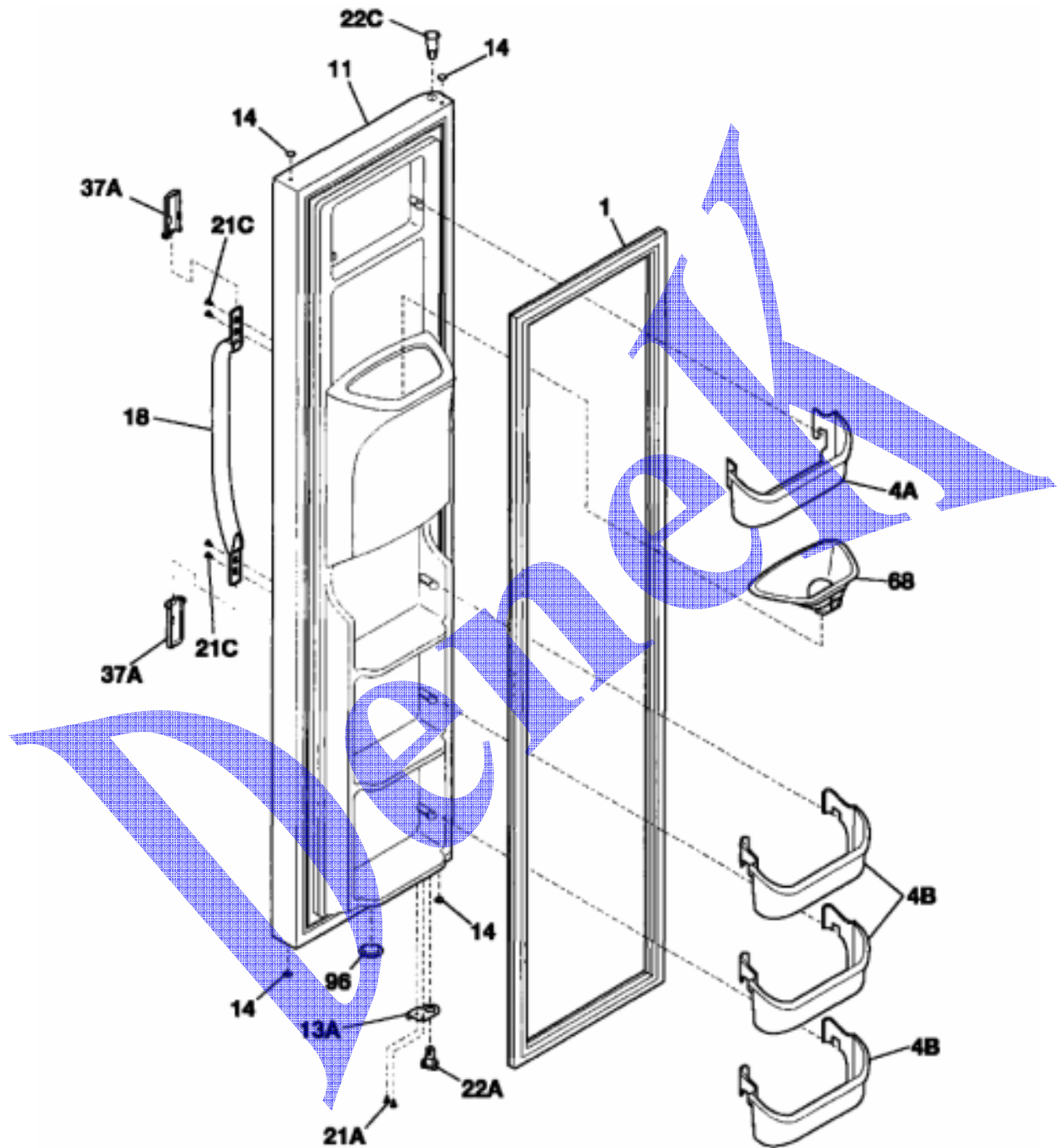


W.P. REF. MODEL. WRS26MF5AQ1

PUERTA DEL CONGELADOR



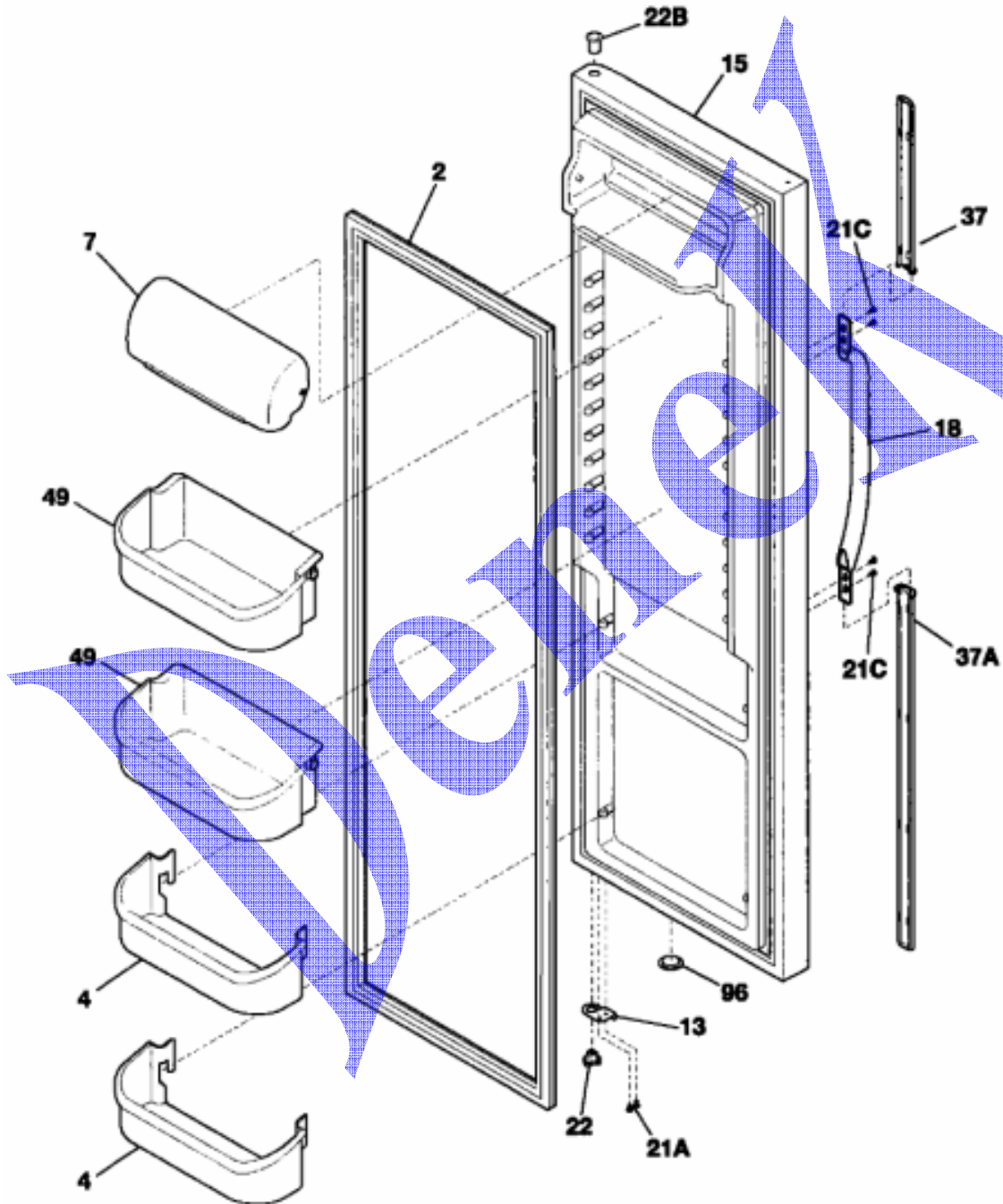
W.P. REF. MODEL. WRS26MF5AQ1

PUERTA DEL CONGELADOR

NUMERO	N.DE PARTE	DESCRIPCION
F1	240390602	Gasket-frzr door,white ,magnetic
4A	240334207	Bin-door,frzr-upper
4B	240351607	Bin-door
11	240451807	Door-frzr,bisque ,complete assy
13A	240537104	Door Stop,bisque ,frzr
18	218762706	HANDLE-DOOR,BISQUE
21A	5308016566	Screw,hex washer head ,8-15A x 0.625 ,low profile
21C	218781100	SCREW,PAN HEAD ,8-18 X 0.625
22A	240328202	Bearing-hinge,closer
22C	240328402	Bearing-hinge,upper
37	218811632	TRIM-HANDLE,BISQUE ,UPPER
NI	218676004	BAND-DECORATIVE,SATIN ALUMINUM ,HANDLE TRIM
37A	218811631	TRIM-HANDLE,BISQUE ,LOWER
F37A	215782300	LOCK-HANDLE TRIM,SNAP-IN
68	240467701	Chute-ice
96	240345505	Plug,door foam hole ,white
NI	240323201	Wiring Harness
	240352101	Connector-water,straight
	5303918256	Dispenser heater kit

W.P. REF. MODEL. WRS26MF5AQ1

PUERTA DEL ENFRIADOR



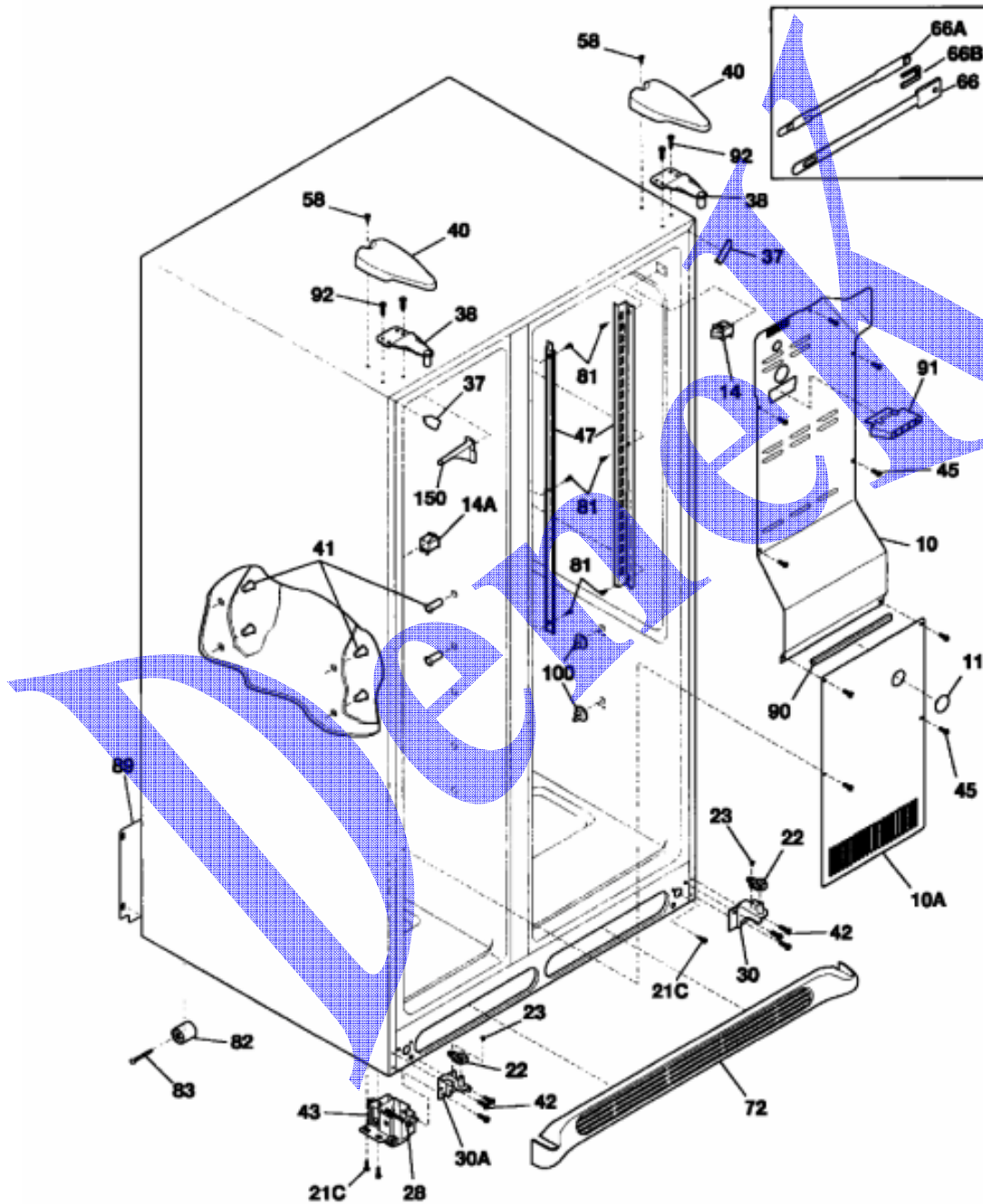
W.P. REF. MODEL. WRS26MF5AQ1

PUERTA DEL ENFRIADOR

NUMERO	N.DE PARTE	DESCRIPCION
F2	240390601	Gasket-refr door,white ,magnetic
4	240323007	Bin-door,pseudo ,bottom
7	240326208	Door-dairy,clear
13	240456903	Door Stop,bisque ,ref
15	240451905	Door-refr,bisque ,complete assy
18	218762706	HANDLE-DOOR,BISQUE
21A	5308016566	Screw,hex washer head ,8-15A x 0.625 ,low profile
21C	218781100	SCREW,PAN HEAD ,8-18 X 0.625
22	240328201	Bearing-hinge,closer
22B	240328401	Bearing-hinge,upper
37	218811632	TRIM-HANDLE,BISQUE ,UPPER
NI	218676004	BAND-DECORATIVE,SATIN ALUMINUM ,HANDLE TRIM
37A	218811631	TRIM-HANDLE,BISQUE ,LOWER
F37A	215782300	LOCK-HANDLE TRIM,SNAP-IN
49	240356409	Bin-door,gallon
96	240345505	Plug,door foam hole ,white

W.P. REF. MODEL. WRS26MF5AQ1

GABINETE



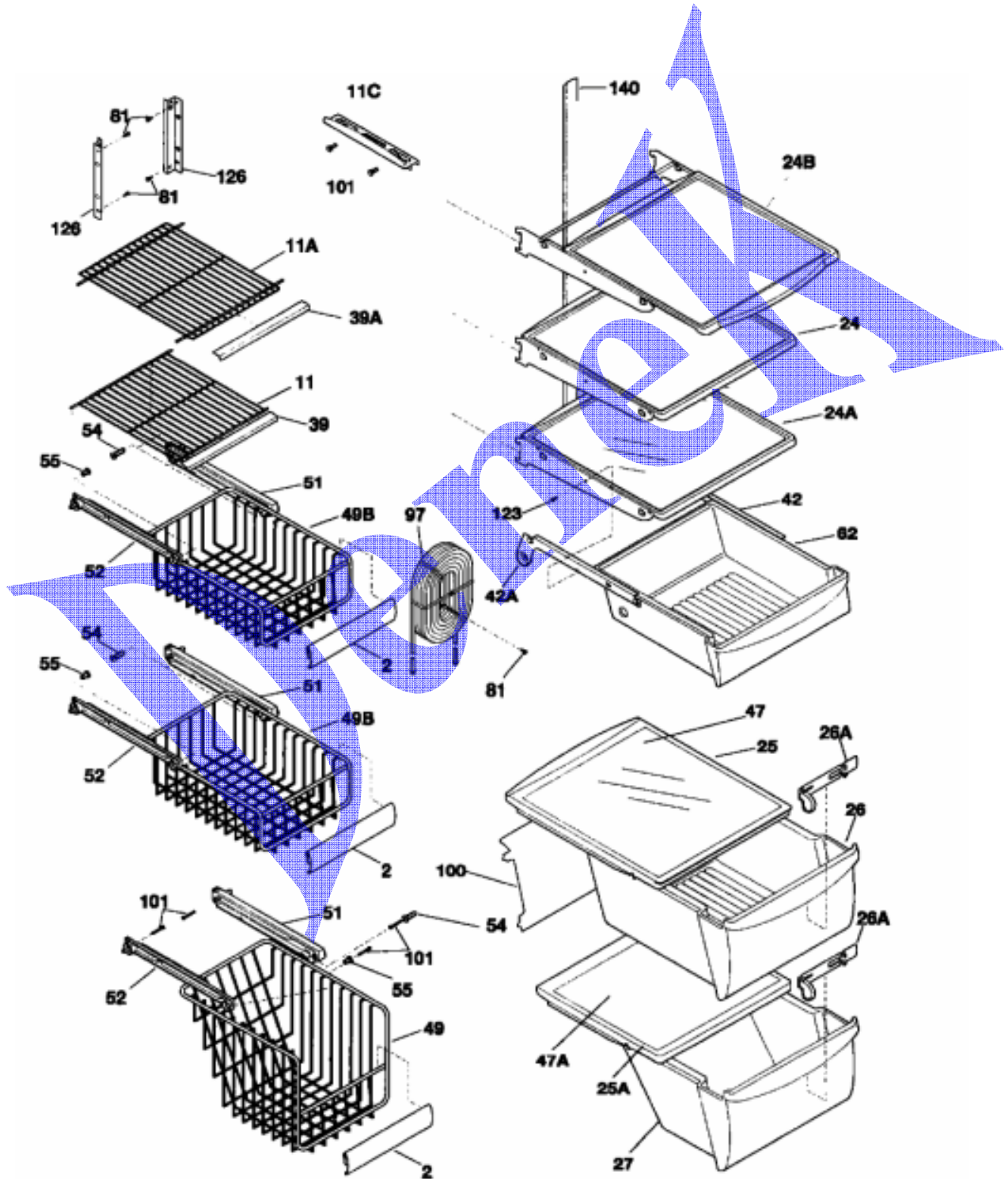
W.P. REF. MODEL. WRS26MF5AQ1

GABINETE

NUMERO	N.DE PARTE	DESCRIPCION
10	240435902	Cover-air duct
10A	240475902	Cover-evap coil,lower
11	5303208309	PLUG-HOLE,FACTORY TEST
F14	240413601	Switch,light/lamp ,rocker
F14A	215486600	SWITCH-LIGHT/LAMP
21C	218252200	Screw,No.8 truss hd ,10-32CA x 0.500
22	240457701	Plate-door closer
23	240402701	Screw-No.10-32 x 1/4 flat hd
28	240335501	Bolt-roller adj,hex washer head ,1/4-20 x 4.020,(2) ,special
30	240419103	Bracket-lower hinge, ref
30A	240419104	Bracket-lower hinge
37	240337604	Trim-cabinet corner,bisque ,(2)
38	240327202	Bracket-upper hinge
40	240327002	Cover-upper hinge,bisque
41	240358701	Grommet-shelf mtg,1.40" long
NI	240358801	Grommet-shelf mtg,.875" long
42	240315301	SCREW-HINGE MTG,HEX HEAD ,1/4-20 X 0.75
43	240335003	Roller Assy,front ,(2)
45	241500301	Screw,hex washer head ,8-18AB x 0.500
47	240349401	Channel-shelf mtg,side ,(2)
58	218749600	Screw,No.10 pan hd ,8-18 x .5
66	5304424968	Cover-damper
66A	5304424968	Damper-meat keeper
66B	5304424968	Insulation-damper
F66B	240518802	Pin-push,push-in ,plastic
72	240324404	Grille/Kickplate,bisque
81	5308016566	Screw,hex washer head ,8-15A x 0.625 ,low profile
82	5304418225	Roller,compressor base ,rear ,(2)
83	5303316859	Rivet,flat head ,1/4 OD x 1-3/4 ,roller pin
89	240326104	Cover,access ,system compt ,with label
90	218249808	Seal-coil cover
91	240380101	Duct-ice maker
92	5303001479	SCREW-HINGE MTG,HEX HD ,1/4-20 X 0.875
100	240423701	Support,crisper cover ,front ,(4)
F100	240350802	Support,crisper cover ,rear ,(4)
150	240368701	Guide-control bulb
NI	240396801	Clamp,tube wiring ,nylon ,black/natural
	240479601	Plug,button ,cab liner holes
	240481601	Shim-lower hinge
	5303305324	PAINT,TOUCH-UP ,WHITE
	5304414035	PAINT,TOUCH-UP ,BISQUE

W.P. REF. MODEL. WRS26MF5AQ1

REJILLAS Y ANAQUELES



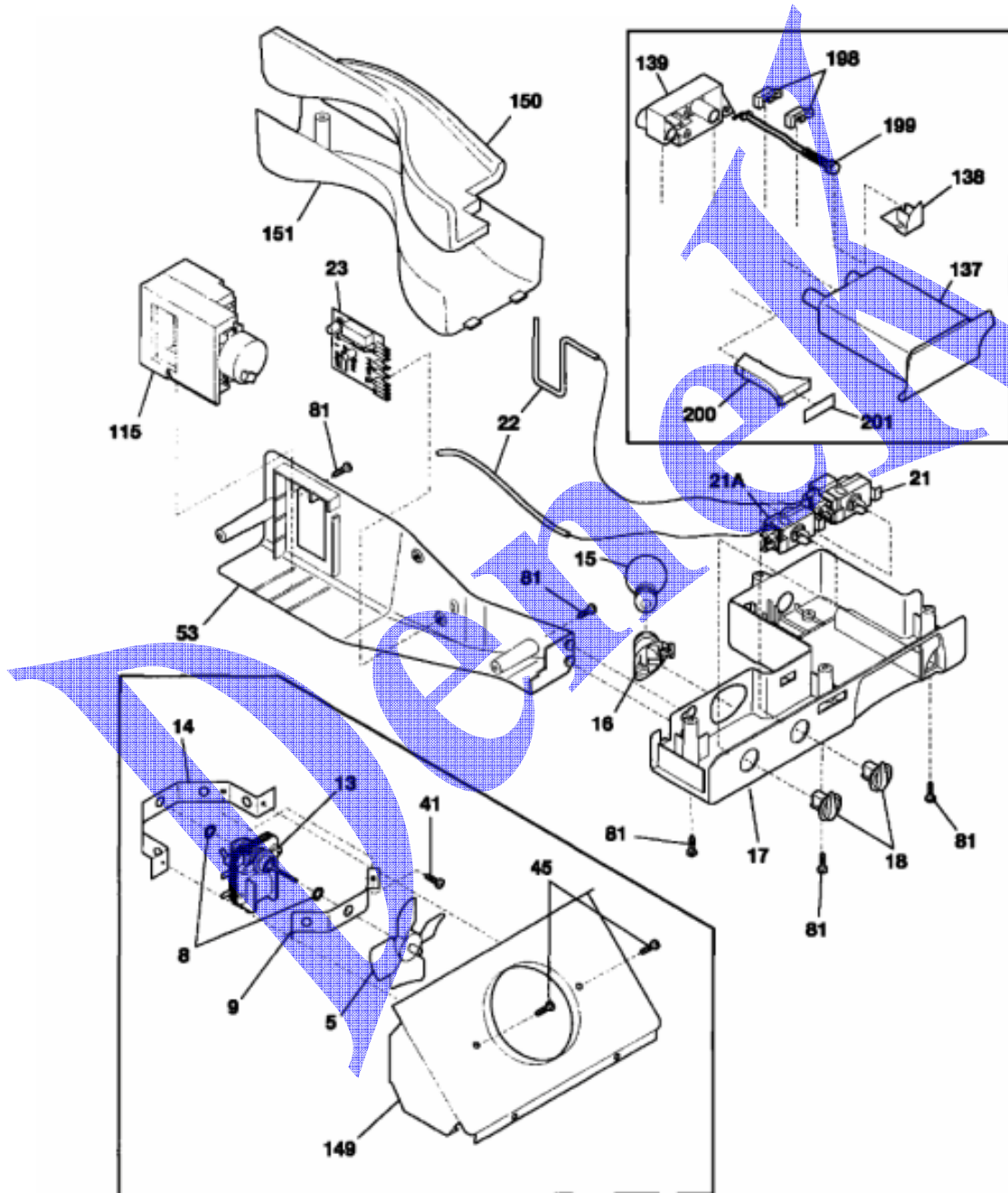
W.P. REF. MODEL. WRS26MF5AQ1

REJILLAS Y ANAQUELES

NUMERO	N.DE PARTE	DESCRIPCION
2	240434602	Trim-basket
11	240338802	Shelf-freezer,flip-up
11A	240338704	Shelf-freezer,fixed wire
11C	240324101	SHELF-PIZZA
24	240355236	Shelf-"Spill-Safe",fixed
24A	240355235	Shelf-"Spill-Safe",fixed
24B	240350122	Shelf-"Spill-Safe",sliding ,(3)
25	240350701	Cover-crisper pan,upper
NI	240362101	Clip-slide,cover-crisper
25A	240350902	Cover-crisper pan,lower
26	240351016	Pan-crisper,upper
NI	240349801	Clip-slide,pan-crisper
26A	240362204	Control-humidity
27	240351212	Pan-crisper,lower
39	240430706	Trim-shelf,11.21" ,front
39A	240430702	Trim-shelf,12.39" ,front
42	240356501	Hanger-meat pan,RH
42A	240349701	Hanger-meat pan,LH
F42A	240349901	Block-meat pan rail,LH
	240350001	Spring-meat pan rail
47	240443328	Insert-pan cover,glass
47A	240350603	Insert-pan cover,glass
49	240338402	Basket-sliding
49B	240338502	Basket-sliding,upper ,half
51	240343002	Hanger-basket,RH
52	240343102	Hanger-basket,LH
54	240351901	Plug-hanger,right hand
55	240352001	Plug-hanger,left hand
62	240342811	Pan-meat
81	5308016566	Screw,hex washer head ,8-15A x 0.625 ,low profile
97	240453003	Water Tank Assy,coiled tubing ,front filter
100	240326302	Cover-water tank
101	218493100	SCREW,HEX WASHER HEAD ,8-18AB X 1-3/4
F101	215005000	SCREW,HEX WSHR HD ,8-18AB X 0.750 ,GUSSET/HANGER
123	215005100	SCREW-ROLLER/HANGER,8-10 X 0.438
126	241674401	Channel,auger mtg ,LH
	241674402	CHANNEL,AUGER MTG ,RH
140	240430501	Channel,water tube cvr
NI	240522123	Label,energy guide

W.P. REF. MODEL. WRS26MF5AQ1

CONTROLES



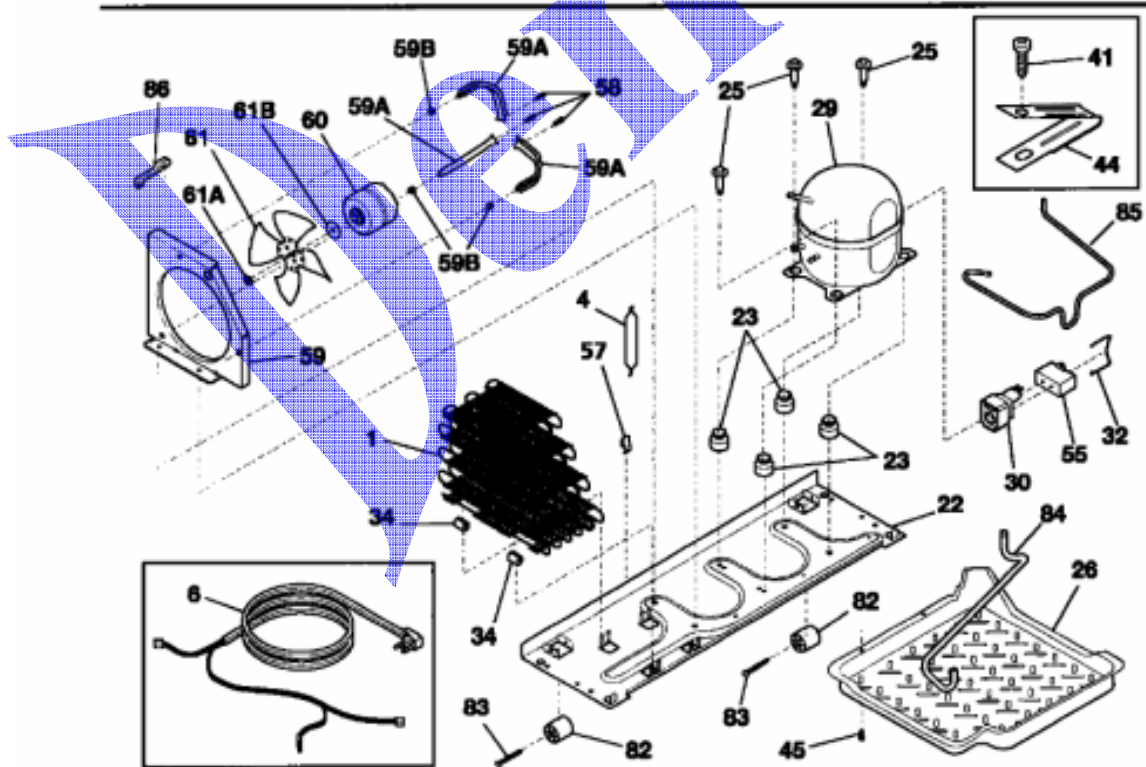
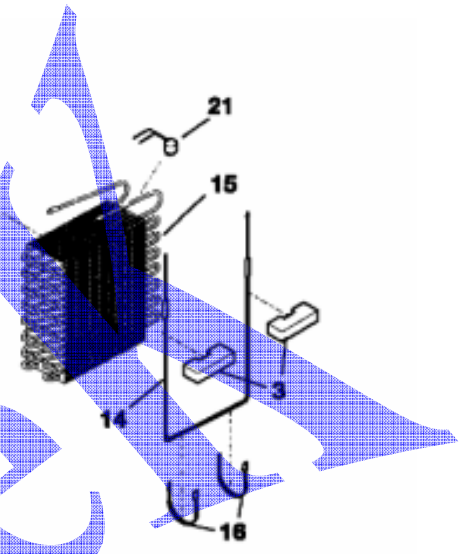
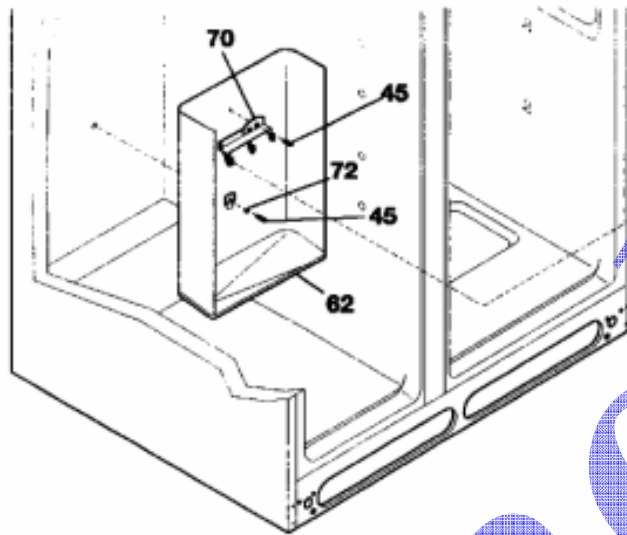
W.P. REF. MODEL. WRS26MF5AQ1

CONTROLES

NUMERO	N.DE PARTE	DESCRIPCION
F5	5308000010	FAN BLADE,RED ,EVAPORATOR FAN
8	5300157666	BUSHING-MOTOR MTG,(2)
9	5303292396	BRACKET-MOTOR MTG,FRONT
F13	240315803	Motor-evap fan
NI	215474201	Washer,`slinger` ,nylon ,evap fan shaft
14	5303292397	BRACKET-MOTOR MTG,REAR
15	240436701	Light Bulb/Lamp,A-15 ,40 W ,120 V ,miniature
16	218906801	SOCKET-LIGHT/LAMP
17	240317703	Box-control,front
FNI	240439901	Wiring Harness,controls
18	240360801	Knob-control
F21	240375906	Control-temperature
21A	5304421768	Control-temperature
22	218660702	Tube-insulator
23	240375803	Control-defrost,adaptive timer ,PC board
NI	5303001259	SCREW-TIMER MTG,PAN HD ,6-20 X 0.438 ,(2)
41	5308000039	SCREW,HEX WASHER HEAD ,8-32CA X 0.500 ,SERRATED HEAD
45	5308016566	Screw,hex washer head ,8-15A x 0.625 ,low profile
53	240369501	Box-control
81	5303001343	SCREW,HEX WASHER HEAD ,8-15A X 0.500
115	240521101	Damper Assy,w/seal
137	WF2CB	Filter,water ,front ,with o`rings ,cassette
F137	240396701	Bypass,water filter ,Optional Part
138	240397301	Button-filter release
139	240396001	Base-water filter
149	240331602	Shroud-fan orifice
150	240394204	Insulation-water tube cover
151	240373806	Cover-water tube
198	240397401	Retainer
199	240397501	Rod
F199	240398401	Spring-filter release rod
200	240397601	Light pipe
201	240398506	Label-control box
NI	3205266	EDGE PROTECTOR,WIRING HARNESS

W.P. REF. MODEL. WRS26MF5AQ1

AREA DEL COMPRESOR



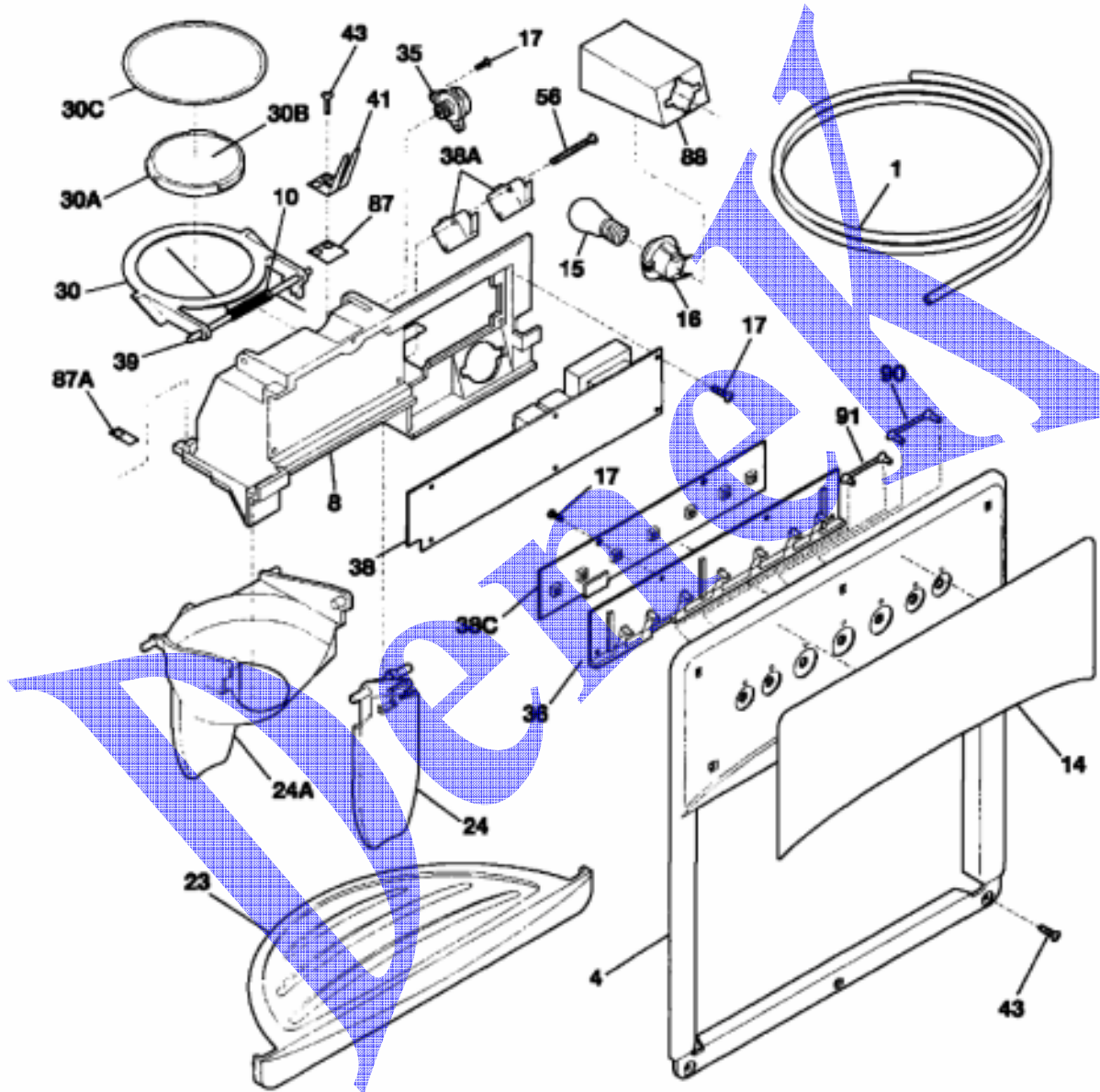
W.P. REF. MODEL. WRS26MF5AQ1

AREA DEL COMPRESOR

NUMERO	N.DE PARTE	DESCRIPCION
1	240333603	Condenser
3	218679607	Block-evap coil,styrofoam ,(2)
F4	5303305677	DRIER-FILTER,R134A SYSTEM
6	240346402	Harness-wiring,machine compt
NI	240315901	Harness-wiring
FNI	240439901	Wiring Harness,controls
14	5303918253	Defrost Heater Kit
F15	5303918216	Evaporator Kit
16	5308000110	STRAP-EVAP/HEATER,ALUMINUM ,(2)
21	5303918214	Thermostat-defrost,kit
22	240330008	Base-compressor
23	218513300	GROMMET-COMPR-MTG,(4)
25	240491501	Screw-compressor mtg,hex washer head ,1/4-28 x 1.16,shoulder,typ CF
26	240332602	Pan-defrost drain
F29	5303918254	Compressor,w/electricals
F30	218721119	Starter-PTC
32	218973501	CLAMP,ELEC CONT MTG ,COMPRESSOR
34	240405201	Grommet,rubber ,black ,cond tube/wire
41	218897001	SCREW,HEX WASHER HEAD ,8-32 X 1/4
NI	5308000039	SCREW,HEX WASHER HEAD ,8-32CA X 0.500 ,SERRATED HEAD
44	5303001199	CLAMP-SERVICE CORD,STRAIN RELIEF ,GALV STEEL
NI	5303001199	CLAMP-WIRING HARNESS,STRAIN RELIEF ,GALV STEEL
45	5308016566	Screw,hex washer head ,8-15A x 0.625 ,low profile
F55	218909901	CAPACITOR-RUN,220 VAC ,15 MICROFARAD
57	240403601	Clip-wiring harness
58	215004600	Screw,hx serr wschr hd ,8-36 x 7/16 ,cond fan motor,(2)
59	240315501	SHROUD-COND FAN
NI	240346701	Tape-foam seal,shroud
	240359401	SCREW-FAN SHROUD,(2)
59A	240346501	Bracket-support,cond mtr ,(3)
59B	240346601	GROMMET-BRACKET,(3)
F60	240334001	Motor,condenser fan
F61	240315401	Fan Blade,galv steel ,condenser fan
61A	215004700	NUT,SPEED
61B	215004800	GROMMET-SILENCER
62	240429402	Trough-drain
70	218990801	BRACKET-EVAP/CVR MTG
72	218397000	BUTTON-HANDLE MTG,DOVETAIL
82	5304418225	Roller,compressor base ,rear ,(2)
83	5303316859	Rivet,flat head ,1/4 OD x 1-3/4 ,roller pin
84	5304421068	Tube-drain,lower
85	240346201	Tube-connector,suction
86	240409302	Spacer-cond tube,black
NI	5303918222	HOT TUBE REPAIR KIT,SERVICE
FNI	5303918328	Heat Exchanger Kit,suction line

W.P. REF. MODEL. WRS26MF5AQ1

DESPACHADOR DE HIELO Y AGUA



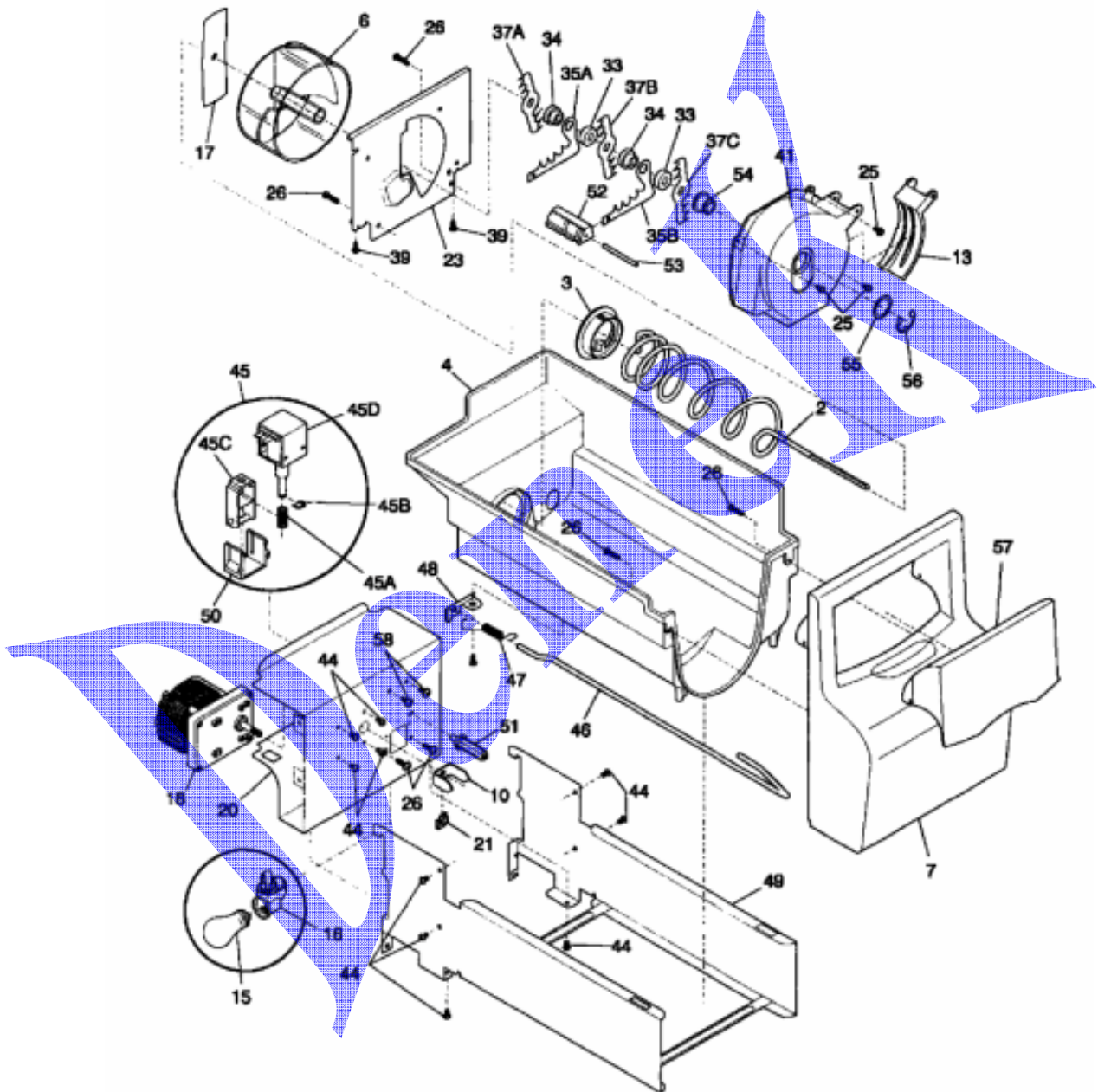
W.P. REF. MODEL. WRS26MF5AQ1

DESPACHADOR DE HIELO Y AGUA

NUMERO	N.DE PARTE	DESCRIPCION
1	218976405	Tube-water inlet
NI	218976901	Tube-water inlet,inlet valve ,to ice maker
	218976903	Tube-water inlet,inlet valve ,to filter
	218976907	Tube-water inlet, valve to door
4	5304421848	Cover-module,bisque
8	5304421849	Module-dispenser
10	241688901	Spring-torsion
14	240323944	Label-module cover,bisque
15	5304421616	Light Bulb/Lamp
16	215284900	SOCKET-LIGHT/LAMP
17	5304421619	Screw
23	240323602	Drip Tray,bisque
24	5304422027	Actuator-water,bisque
24A	5304422028	Actuator-ice,bisque
30	5304421628	Door Assy-ice chute
30A	5304421624	Door center
30B	5304421625	Insulation-door
30C	5304421629	Door seal
35	5304421620	Damper-rotaty
36	5304421824	Carrier
38	5304421827	Power Board
F38A	5304421617	Switch-micro,single pole ,double throw
38C	5304422029	Board-control
39	5304421627	Pin-hinge
41	5304421829	Spring-actuator
43	215296300	Screw,plask h/1 ,No.6 x 3/8
NI	240363401	Screw-No.8-18 X 1/2,No.6 hd plask
56	5304421830	Screw-micro switch,pan head
87	5304421622	Bearing Plate
87A	5304421621	Bearing Plate
88	5304421615	Shield-light
90	5304421831	Light Pipe,reflector
91	5304421850	Light Pipe,reflector ,short
NI	5303918256	Dispenser heater kit

W.P. REF. MODEL. WRS26MF5AQ1

CONTENEDOR DE HIELO



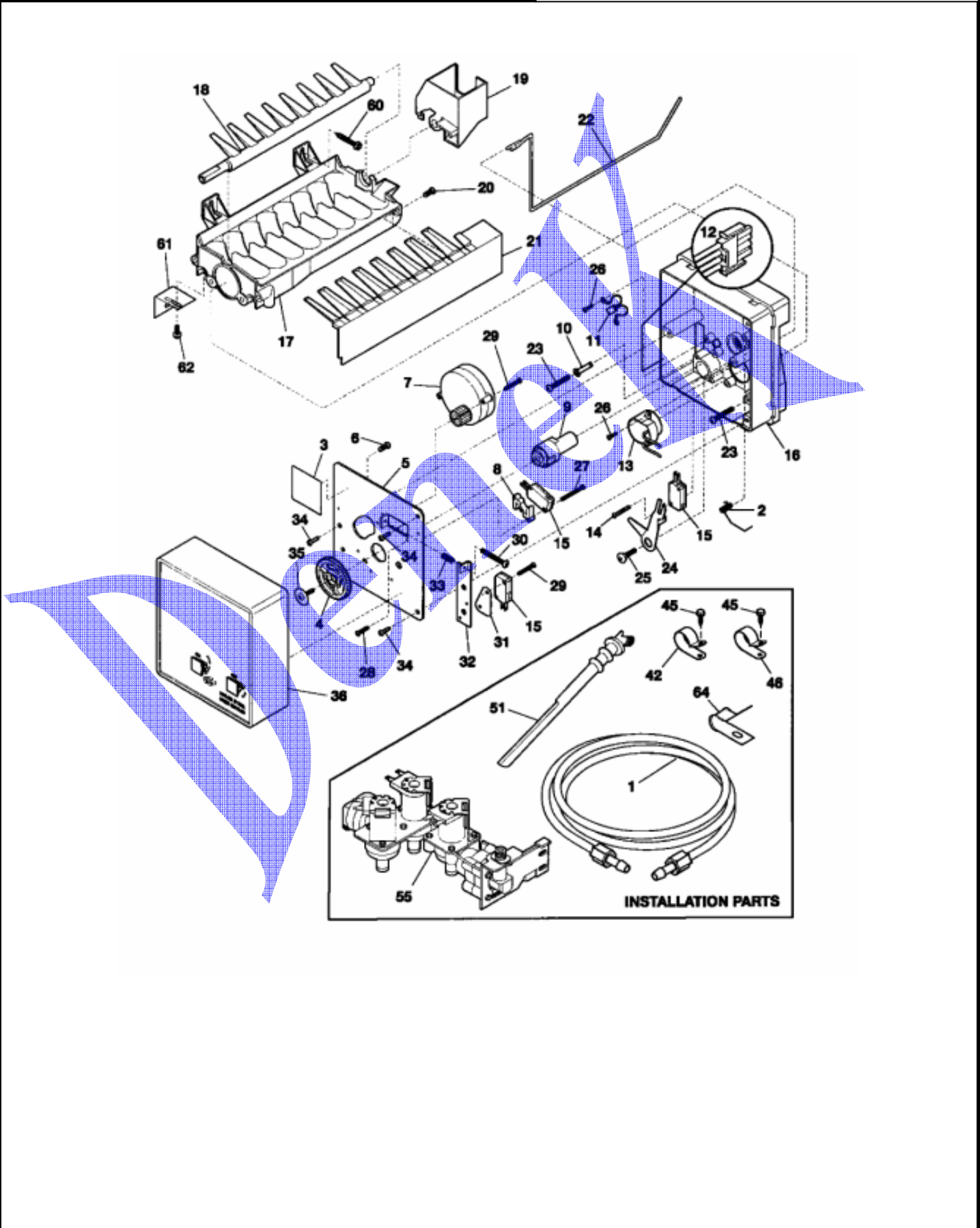
W.P. REF. MODEL. WRS26MF5AQ1

CONTENEDOR DE HIELO

NUMERO	N.DE PARTE	DESCRIPCION
2	5304404344	AUGER-ICE
3	5304404343	CAM-DRIVE
4	218815300	Container-ice.bucket only
6	5304404346	DRUM-ICE DISP
7	218815400	FRONT-ICE CONTAINER
10	5304404337	BAR-DRIVE
13	5304404359	GATE
15	5303013071	LIGHT BULB/LAMP,40 W
16	5303289050	SOCKET-LIGHT/LAMP
17	5304404345	DRIVE BLADE
F18	240326903	Motor-auger
NI	5304404335	Wiring Harness,auger motor
20	5304404332	COVER-MOTOR
21	215285100	NUT-DRIVE
23	5304404347	PLATE-FRONT
25	5304404362	SCREW,HEX WASHER HEAD ,8-32T X 0.375
26	215503200	SCREW,CR PAN HD ,10-16 X 0.500
33	5304404351	SPACER
34	5304404349	SPACER
35A	5304404353	FIXED BLADE ROUND
35B	5304404352	Fixed Blade,square
37A	5304404348	Blade,crusher No.1
37B	5304404350	Blade,crusher No.2
37C	5304404356	Blade,crusher No.3
39	5304404365	SCREW
41	5304404358	HOUSING-CRUSHER
44	218359200	SCREW,PAN HEAD ,8-32 X 0.250
F45	5304404333	SOLENOID ASSY
45A	5304406816	SPRING-SOLENOID
45B	5304406817	E-RING-SOLENOID
45C	5304406818	ACTUATOR-SOLENOID
45D	5304406819	SOLENOID

W.P. REF. MODEL. WRS26MF5AQ1

ICE MAKER



W.P. REF. MODEL. WRS26MF5AQ1

ICE MAKER

NUMERO	N.DE PARTE	DESCRIPCION
1	218976405	Tube-water inlet
NI	218976901	Tube-water inlet,inlet valve ,to ice maker
	218976903	Tube-water inlet,inlet valve ,to filter
	218976907	Tube-water inlet, valve to door
2	5304420650	Spring, shut-off arm
3	3206299	LABEL, ID PLATE
4	3206301	GEAR
5	3206303	PLATE-MOUNTING
6	3206305	SCREW-GROUND WIRE, 8-32 X 0.250
F7	3206306	MOTOR-ICE MAKER
8	3206312	SPACER-HOLD SWITCH
9	3206313	CAM
10	3206315	CLAMP
F11	3206319	THERMAL CUTOFF, ICE MAKER , COMPLETE ASSY
F12	240352601	Wiring Harness, ice maker , internal , with plug
F13	3206322	THERMOSTAT ASSY, ICE MAKER
14	5304420652	Screw, 4 x 0.750 , switch mtg.
F15	3206324	SWITCH, (3)
16	5304420653	Support, phenolic
F17	5303320545	MOLD-ICE MAKER, RADIUS CUBE , WITH HEATER
18	3206328	EJECTOR-ICE
19	3206330	BEARING & INLET
20	5304408581	SCREW, 8-32 X 0.375
21	3206332	ICE STRIPPER
22	3206333	SHUT-OFF ARM
23	5304408582	SCREW, 8-32 X 0.875 , MOLD-TO-SUPPORT ,(3)
24	3206335	LEVER ARM
25	3206336	SCREW, 8-18 X 0.562 , LEVER ARM/SPRT
26	5304420654	Screw-thermo/sprt, 4-24 x 0.375 ,(4)
27	3206338	SCREW, 4-40 X 1.000 , HOLD SWITCH MTG ,(2)
28	3206339	SCREW-TIMING STOP, 4-40 X 0.375
29	3206323	SCREW, 4-24 X 0.750 ,(6)
30	3206341	SCREW-TIMING ADJ, 8-32 X 1.000
31	3206342	INSULATOR
32	3206343	PLATE-VALVE SWITCH
33	5304408583	SPRING-TIMING ADJ
34	5304420655	Screw, plazscrew , 8-10 ,(3)
35	5304408585	SCREW
36	3206347	COVER-ICE MAKER
42	218515402	Clip, (2) , tube mtg.
NI	5303001199	CLAMP-WIRING HARNESS, STRAIN RELIEF , GALV STEEL
45	5303001343	SCREW, HEX WASHER HEAD , 8-15A X 0.500
46	5303001193	CLAMP, .50 ID , STEEL , WATER TUBE
51	240387101	Tube-water, ice mold fill , extension
F55	240321801	Valve-water, triple solenoid
NI	218873001	CAP-WATER VALVE
FNI	240508101	Valve-water (Service), single solenoid
	240508102	Valve-water (Service), dual solenoid , 115 V
NI	240363601	Screw-shoulder
60	5303207328	SCREW, HEX WASHER HEAD , 8-15A X 1.000 ,(2)
61	5303207329	SCREW, HEX WASHER HEAD , 8-15A X 1.000 ,(2)
62	5303207330	SCREW, HEX WASHER HEAD , 8-15A X 1.000 ,(2)
63	5303207331	SCREW, HEX WASHER HEAD , 8-15A X 1.000 ,(2)
64	5303207332	SCREW, HEX WASHER HEAD , 8-15A X 1.000 ,(2)
	240352403	Ice Maker, Radius Cube , 115 V , no instl parts