



## **SIDE BY SIDE REFRIGERATOR**

### **MODELS:**

WRS315SNHW01 (White)

WRS315SNHB01 (Black)

WRS315SNHM01 (Stainless)



# REFRIGERADOR WRS315SNH

<u>Illus. No.</u>	<u>Part No.</u>	<u>Description</u>
1		Literature Parts
	W11105301	Use and Care Guide
	W11125067	Tech Sheet
	W11090524	Energy Guide
2	Assembly, RollerW10304660	Left Hand
3	2152958	Screw
4	2150304	Roller
5	2262072	Axle, Roller
6	2155013	Clip, Grille
7	W11036715	Plate, Screw (Refrigerator)
	W10904380	Plate, Screw (Freezer)
8	W11087168	Clip, Roller

<u>Illus. No.</u>	<u>Part No.</u>	<u>Description</u>
9		Hinge, Top
	W10922200	White (Refrigerator)
	W10922201	White (Freezer)
	W10922216	Black (Refrigerator)
	W10922217	Black (Freezer)
	W10900868	Grey (Refrigerator)
	W10900869	Grey (Freezer)
10	W11095731	Closer, Door (Freezer)
11	488500	Screw
12	W10142234	Screw
13	W11093938	Assembly, Bottom Hinge (Freezer)
14	3400113	Screw
15		Assembly, Roller
	W10304659	Right Hand
16		Filler, Wrapper
	W11189128	White
	W11189127	Black
	W11189126	Grey

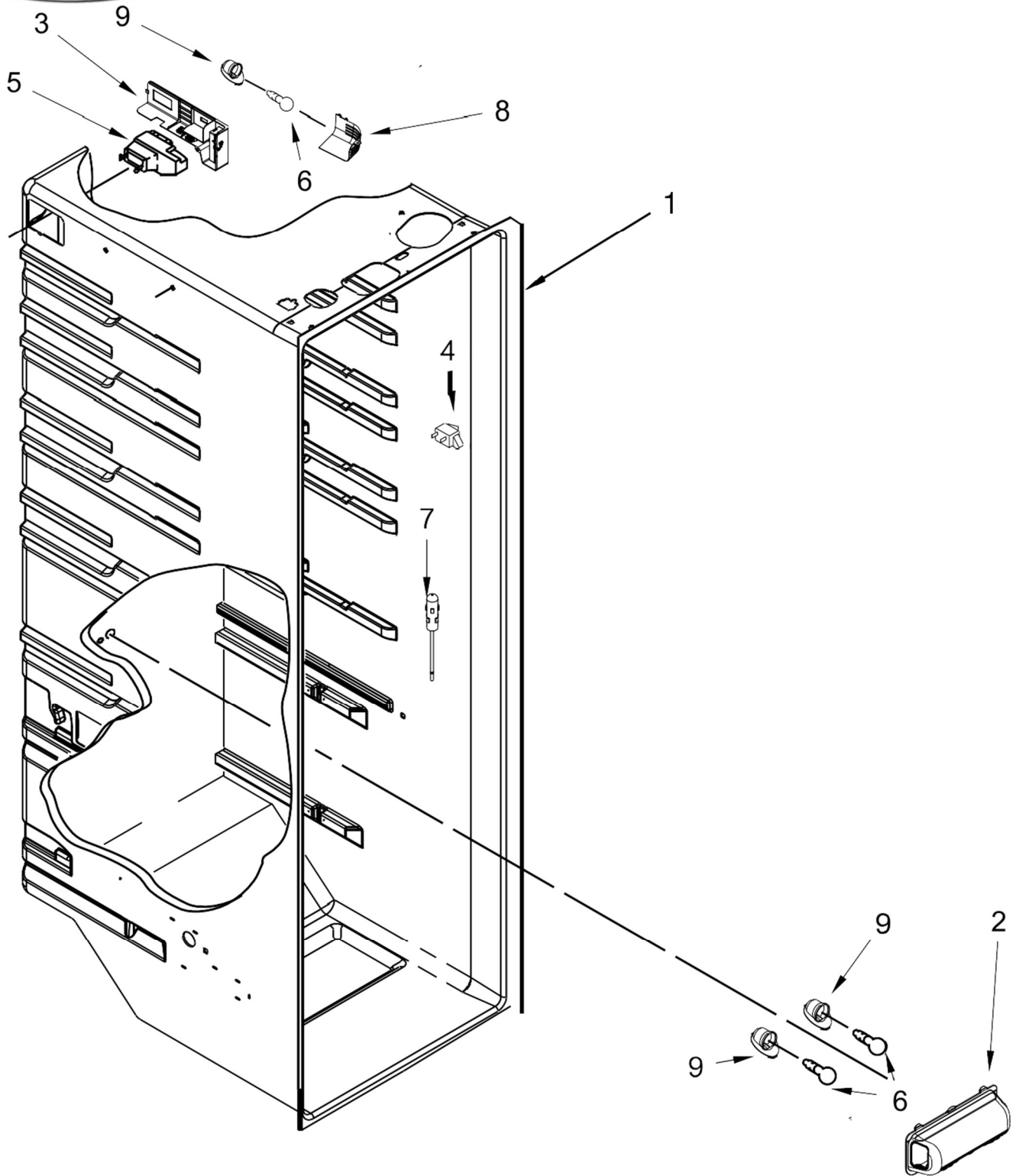
<u>Illus. No.</u>	<u>Part No.</u>	<u>Description</u>
17		Grille
	W10920728	White
	W10920724	Black
	W10901282	Grey
18	W10308750	Screw (White)
	W10308751	Screw (Black)
19		Cabinet (Not A Servicable Part)
20	W10905504	Closer, Lower Cam Door (Refrigerator)
21	489464	Screw
22	2304888	Fitting, Drain
23	W10153550	Extension, Drain Fitting
24	W10904634	Cover, Unit
25	W11097327	Assembly, Bottom Hinge (Refrigerator)
26	549193	Clamp, Power Cord
27	W10141645	Screw

Distribuidor Autorizado

SurteRápido.com

Venta de Refacciones  
Electrodomesticas

# REFRIGERADOR WRS315SNH



Distribuidor Autorizado

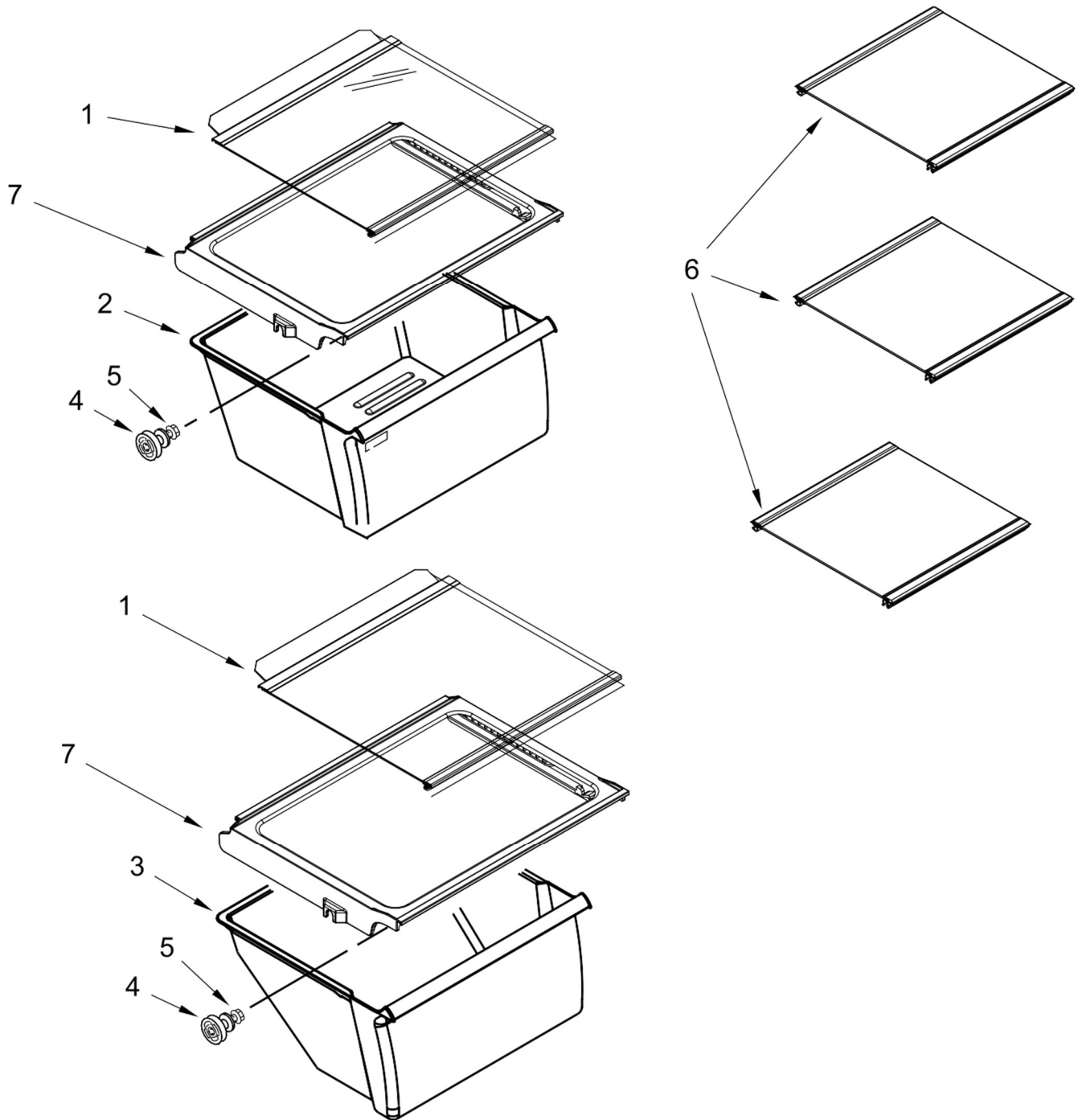
**SurteRápido.com**

Venta de Refacciones  
Electrodomesticas

# REFRIGERADOR WRS315SNH

<u>Illus.</u> <u>No.</u>	<u>Part No.</u>	<u>Description</u>	<u>Illus.</u> <u>No.</u>	<u>Part No.</u>	<u>Description</u>	<u>Illus.</u> <u>No.</u>	<u>Part No.</u>	<u>Description</u>
1		Liner (Not A Serviceable Part)	4	1118894	Switch, Rocker Arm	8	W10900030	Cover, Light
2	W10166130	Lens, Light (Includes Gasket)	5	W11162983	Diffuser, Air	9	W10134764	Socket, Light
3	W11026013	Assembly, Control Box (Includes Electronic Control)	6	W11125625	Lamp, LED			
			7	W10384183	Thermistor			

# REFRIGERADOR WRS315SNH



Distribuidor Autorizado

**SurteRápido.com**

Venta de Refacciones  
Electrodomesticas

# REFRIGERADOR WRS315SNH

**Illus.**

**No.   Part No.   Description**

- 1 W11205398 Assembly, Cover
- 2 W11046494 Pan, Crisper
- 3 W11046495 Pan, Meat

**Illus.**

**No.   Part No.   Description**

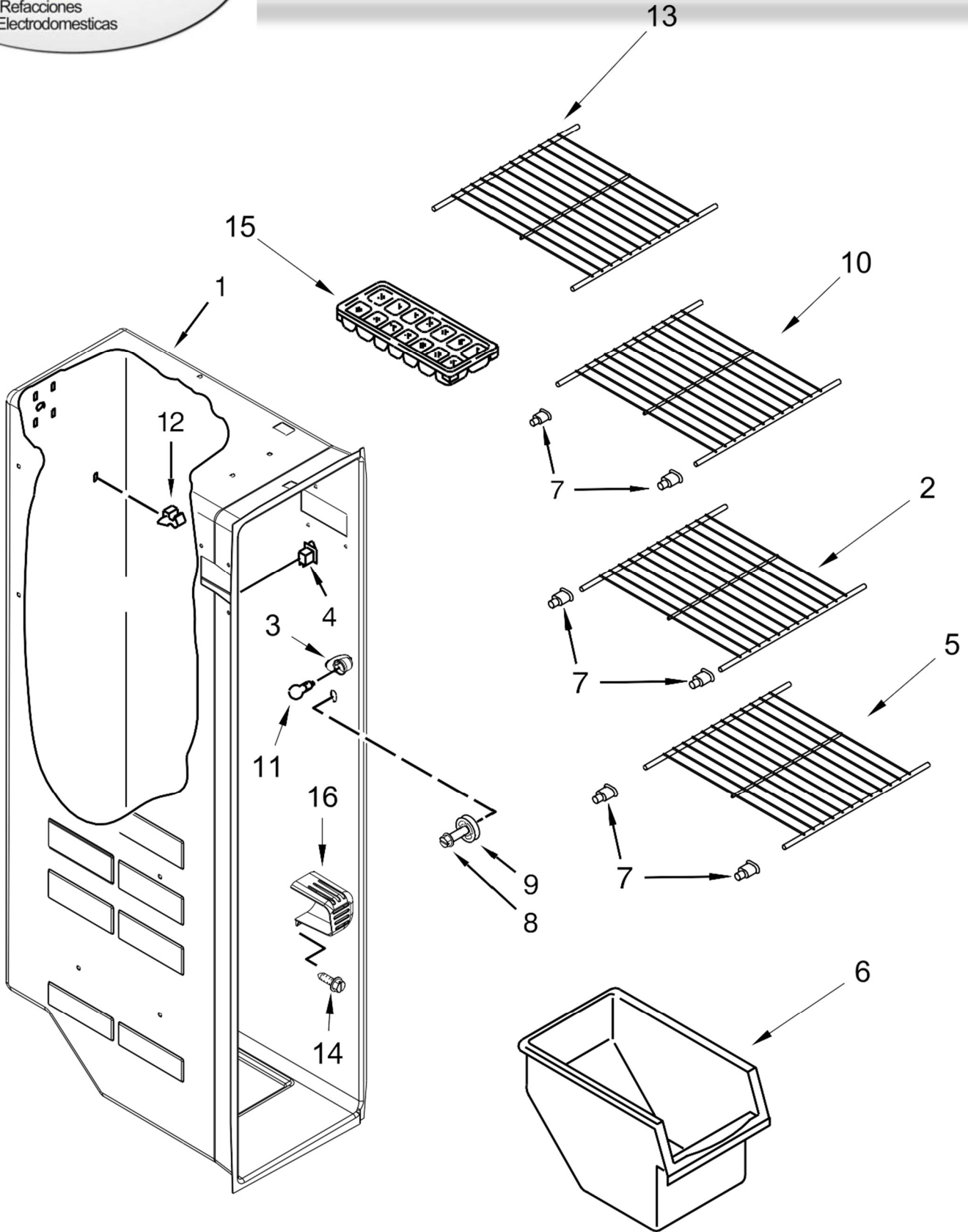
- 4 W10173126 Assembly, Shelf Stud
- 5 W10191954 Screw

**Illus.**

**No.   Part No.   Description**

- 6 W11135529 Assembly, Shelf
- 7 W10904001 Holder, Pan

# REFRIGERADOR WRS315SNH







# REFRIGERADOR WRS315SNH

<u>Illus. No.</u>	<u>Part No.</u>	<u>Description</u>
1		Liner (Not A Serviceable Part)
2	W10318948	Shelf, Wire
3	2155597	Socket, Light
4	W10460893	Screw

<u>Illus. No.</u>	<u>Part No.</u>	<u>Description</u>
5	W10318947	Shelf, Wire
6	2309757	Bin, Freezer
7	W10130299	Cup, Shelf
8	W10191954	Screw
9	2196208	Assembly, Stud
10	W10318961	Shelf, Wire

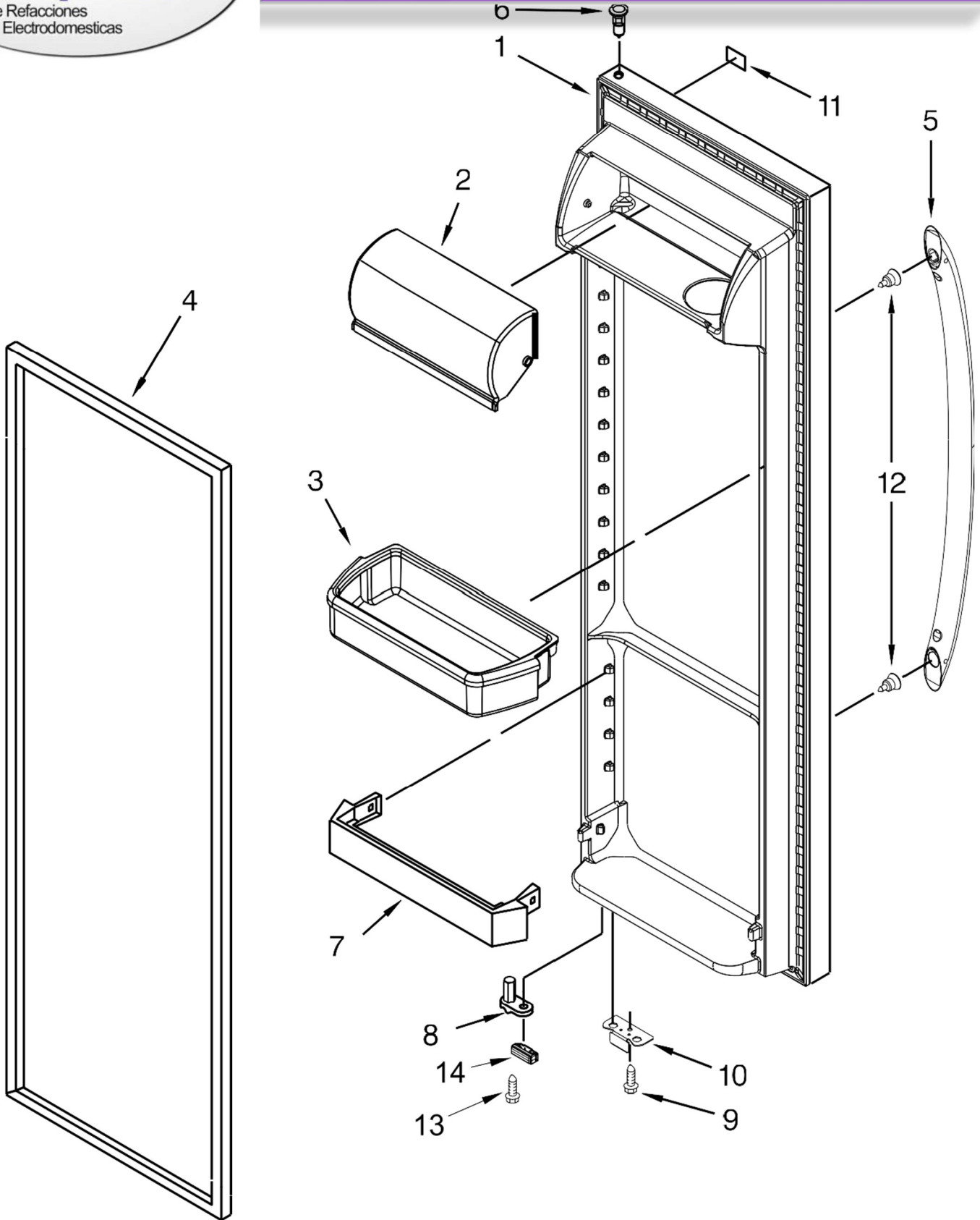
<u>Illus. No.</u>	<u>Part No.</u>	<u>Description</u>
11	W11125625	Lamp, LED
12	2315163	Clip, Air Duct
13	W10318945	Shelf, Wire
14	3400893	Screw
15	2151664	Tray, Ice
16	2212340	Cover, Light Lens

Distribuidor Autorizado

SurteRápido.com

Venta de Refacciones  
Electrodomesticas

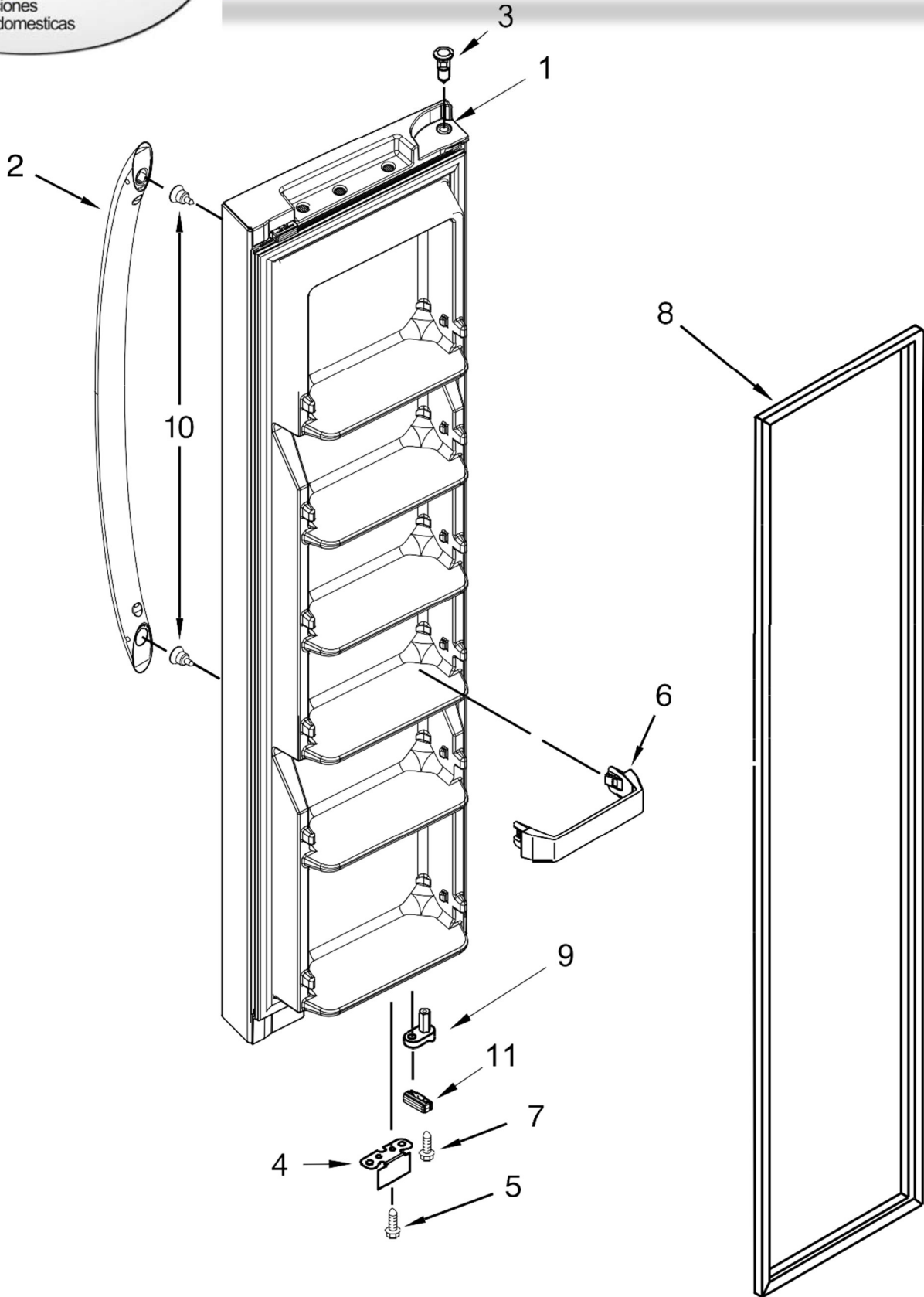
# REFRIGERADOR WRS315SNH



# REFRIGERADOR WRS315SNH

<u>Illus. No.</u>	<u>Part No.</u>	<u>Description</u>	<u>Illus. No.</u>	<u>Part No.</u>	<u>Description</u>	<u>Illus. No.</u>	<u>Part No.</u>	<u>Description</u>
1		Door, Refrigerator (Includes Door Gasket)	5		Handle	13	W10142283	Screw (White)
	W10912118	White		W11045527	White		W10308487	Screw (Black)
	W10912126	Black		W11045528	Black		W10308489	Screw (Grey)
	W11258450	Stainless		W11045530	Stainless	14		Bumper, Door
2	2256101	Door, Compartment	6	2200087	Thimble		W10407175	White
3	W10900538	Bin, Door	7	2309941	Trivet		W10407187	Black
4		Gasket, Door	8	W10900464	Thimble, Cam		W10407188	Grey
	W10912123	Beige	9	W10296816	Screw			
	W10912133	Black	10		Bracket, Door Stop			
	W10912081	Grey		W10900463	Black			
			11	W10884773	Badge			
			12	W10460893	Screw			

# REFRIGERADOR WRS315SNH



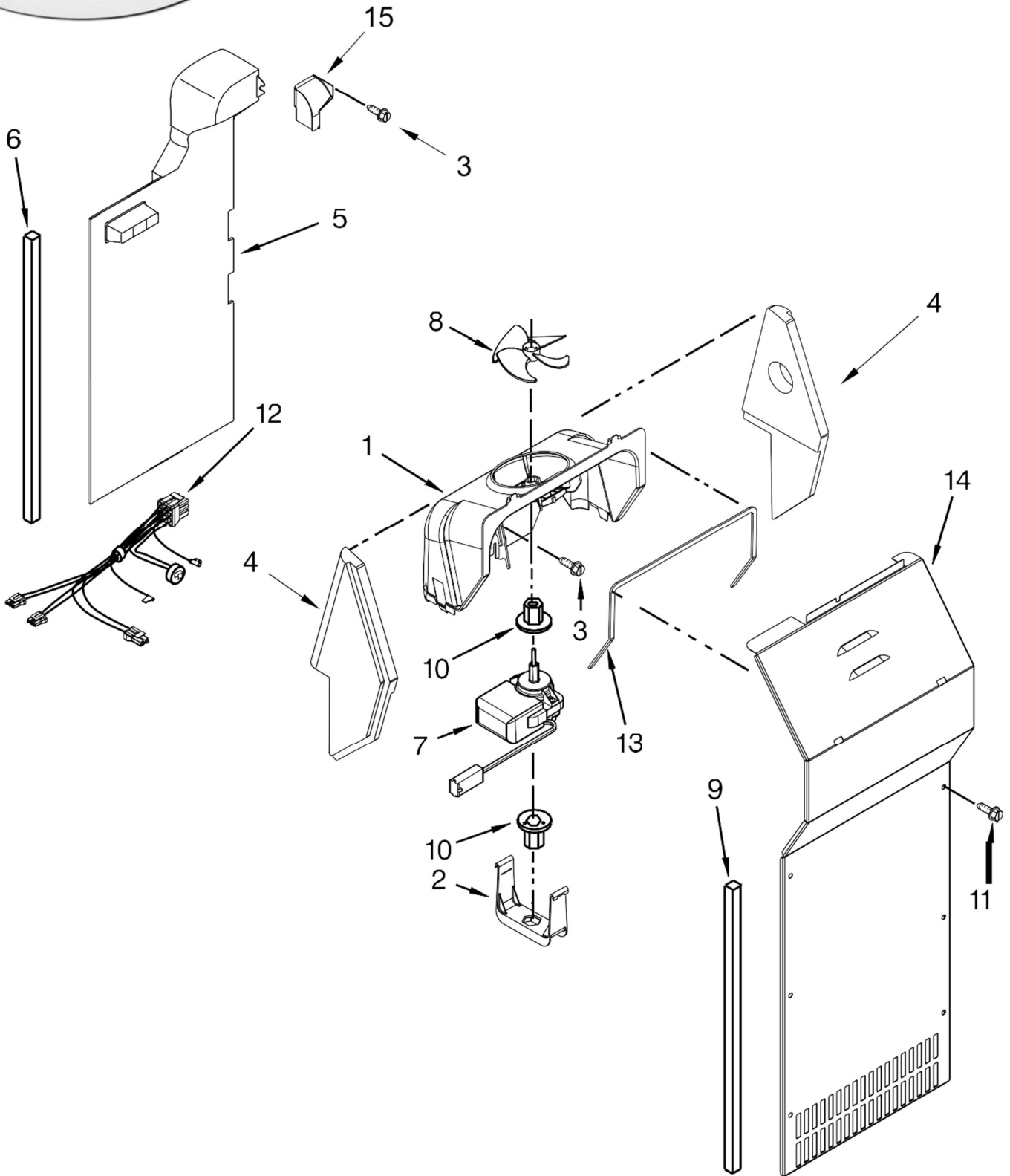
# REFRIGERADOR WRS315SNH

<u>Illus. No.</u>	<u>Part No.</u>	<u>Description</u>
1		Door, Freezer (Includes item 8)
	W10911760	White
	W10911763	Black
	W11258473	Stainless
2		Handle
	W11045527	White
	W11045528	Black
	W11045530	Stainless
3	2200087	Thimble
4		Bracket, Door Stop
	W10900531	Black

<u>Illus. No.</u>	<u>Part No.</u>	<u>Description</u>
5	W10296816	Screw
6	2171157	Trivet
7	W10296804	Screw
8		Gasket, Door
	W10911412	Beige
	W10911422	Black
	W10911389	Grey
9	W10900532	Thimble, Cam
10	W10460893	Screw

<u>Illus. No.</u>	<u>Part No.</u>	<u>Description</u>
11		Bumper, Door
	W10407175	White
	W10407187	Black
	W10407188	Grey

# REFRIGERADOR WRS315SNH



# REFRIGERADOR WRS315SNH

Illus.  
No.    Part No.    Description

1	W11228713	Scroll, Fan
2	W10188846	Retainer, Fan Motor
3	489478	Screw
4		Support, Fan Scroll
	2203596	Left Hand
	2203595	Right Hand
5	2203594	Duct, Freezer Air

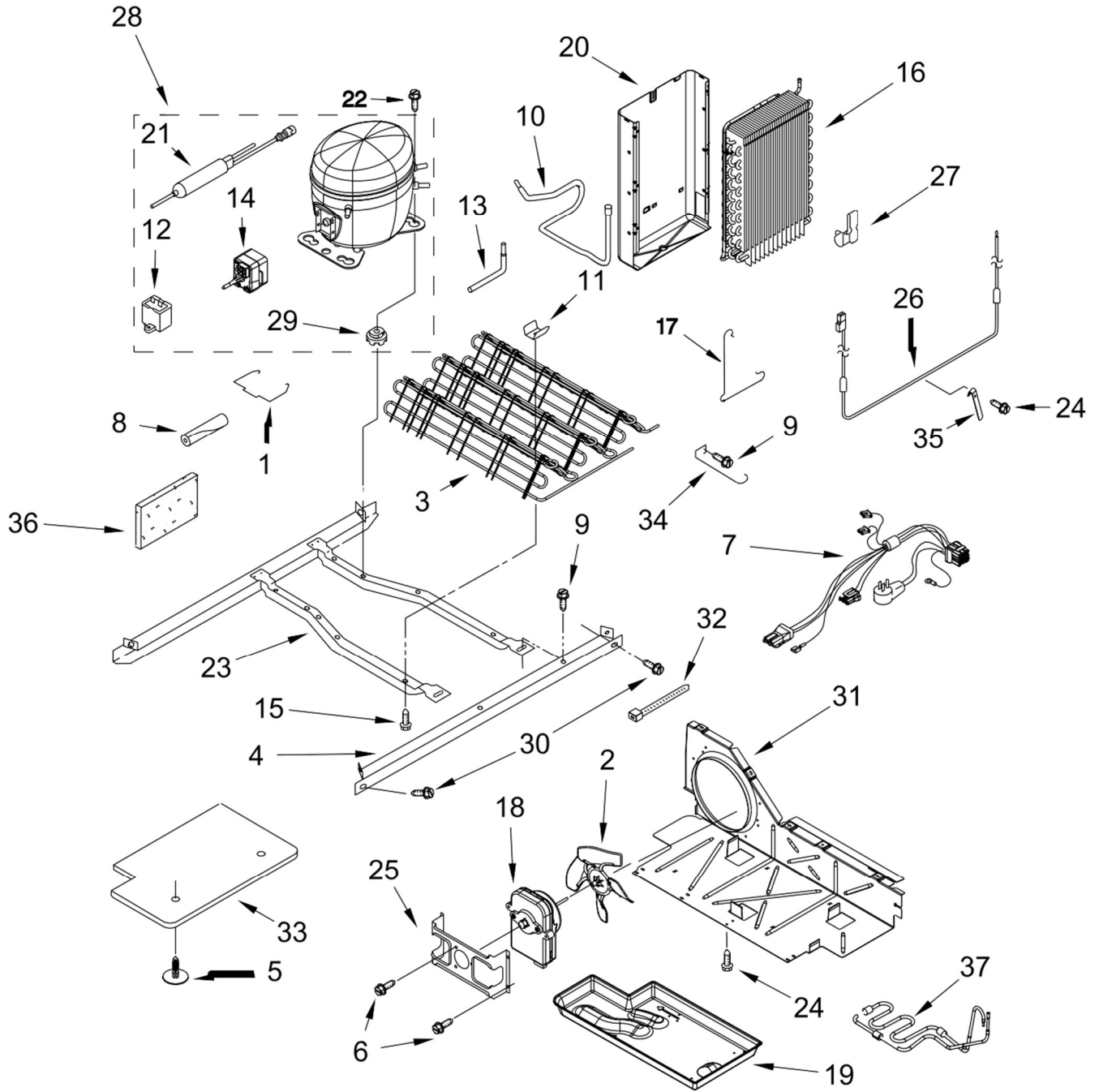
Illus.  
No.    Part No.    Description

6	2203876	Gasket
7	2315549	Motor, Fan
8	2169142	Blade, Fan
9	2304241	Gasket
10	2176759	Grommet, Motor
11	W10142292	Screw

Illus.  
No.    Part No.    Description

12	W10911770	Harness, Evaporator Fan (Includes Thermal Fuse)
13	2155789	Gasket
14	W10463013	Cover, Evaporator
15	W10803597	Scoop, Air Assembly

# REFRIGERADOR WRS315SNH





# REFRIGERADOR WRS315SNH

Illus.  
No.    Part No.    Description

1	W10174384	Strap, Bale
2	2225834	Blade, Fan
3	W10904626	Assembly, Condenser
4	W10900442	Rail, Unit Mounting
5	489396	Clip
6	8533993	Screw
7	W10667072	Harness, Unit (Includes Power Cord)
8	2264838	Sleeve
9	489427	Screw
10	W11183387	Tube, Suction
11	2311725	Clip, Condenser
12	W10350564	Capacitor
13	W11239207	Tube, Process
14	W10197428	Device, Combination Start (Start Relay and Overload)
15	8281232	Screw
16	2188823	Evaporator
17	2161324	Clip, Defrost Heater

Illus.  
No.    Part No.    Description

18	W10522629	Motor, Condenser Fan
19	W10897557	Tray, Evaporator
20	W10194475	Assembly, Heat Shield and Drain Pan
21	W10771114	Drier
22	489473	Screw
23	W10900445	Frame, Unit Mounting
24	489464	Screw
25	2181929	Bracket, Fan Mounting
26	2188175	Heater, Defrost
27	2161324	Clip, Defrost Heater
28	W10879296	Compressor
29	W10836504	Grommet, Compressor
30	489340	Bolt
31	W10897567	Baffle, Air
32	2263990	Tie, Wire
33	W10897560	Assembly, Unit Cover (Bottom)

Illus.  
No.    Part No.    Description

34	1110663	Guard, Fan
35	W10895163	Probe, Heat
36	2169104	Insulation, Sound Deadening
37	W11189542	Assembly, Precooler Formed
FOLLOWING PARTS NOT ILLUSTRATED		
	978025	Valve, Access (1/4")
	978026	Valve, Access (5/16")
	978027	Valve, Access (3/8")
	978029	Valve, Access (5/8")
	978030	Valve, Access (3/4")
	876764	Valve, Access (3/16")
REFRIGERANT CHARGE		
		5.5 oz (R-134A)

# OPTIONAL PARTS

## PAINT, PRESSURIZED SPRAY (12 OZ.)

<u>Illus. No.</u>	<u>Part No.</u>	<u>Description</u>
	350942	White Primer
	350939	Enamel, Black
	350930	White
	4392901	Biscuit/Bisque

## PAINT, TOUCH-UP (1/2OZ.)

<u>Illus. No.</u>	<u>Part No.</u>	<u>Description</u>
	72017	White
	72032	Black
	4392899	Biscuit/Bisque

## PAINT, BULK (1 QT.)

<u>Illus. No.</u>	<u>Part No.</u>	<u>Description</u>
	799344	White (Uncut)
	4392900	Biscuit/Bisque

## MISCELLANEOUS

<u>Illus. No.</u>	<u>Part No.</u>	<u>Description</u>
	212643	Sealer, Gum (4 Feet)
	479502	Tape, Vinyl (3/4 x 108")
	505587	Sealer, Mastic (1 Qt)
	503695	Cork, Sealer
	542638	Grease, Silicone (1/2 Oz.)
	542639	Cement, Alumilastic (1 1/4 Oz.)
	833938	Kit, Terminal Connector
	8003RP	Kit, Water Inlet
	W10300794	Kit, Handle Installation
	W10715708	Ice Maker Assembly (ECKMF95)

## TORX SCREW WRENCH

<u>Illus. No.</u>	<u>Part No.</u>	<u>Description</u>
	1117510	Torx Key