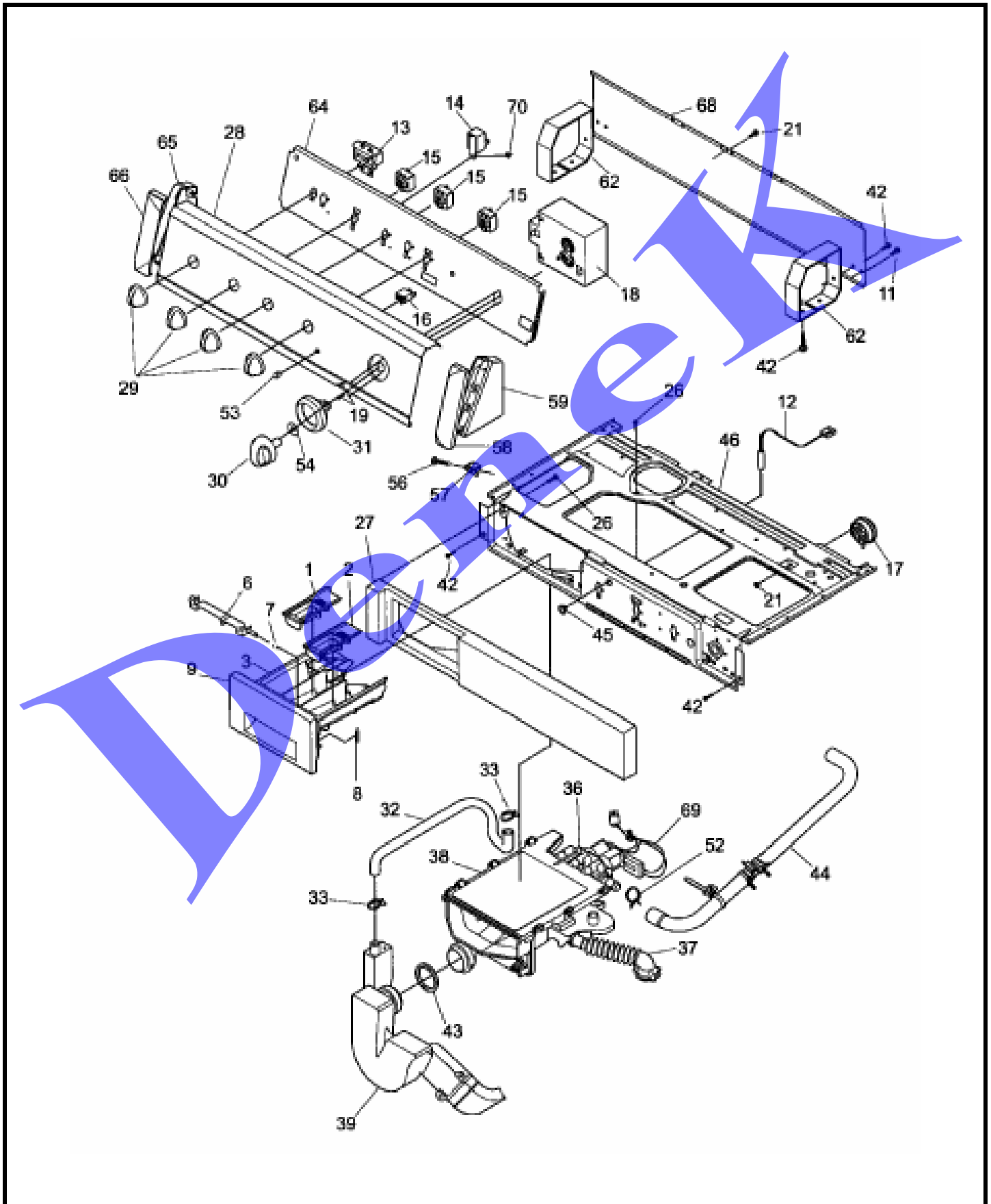


FRIGIDAIRE WTR1240AS0

CONTROL PANEL



FRIGIDAIRE WTR1240AS0

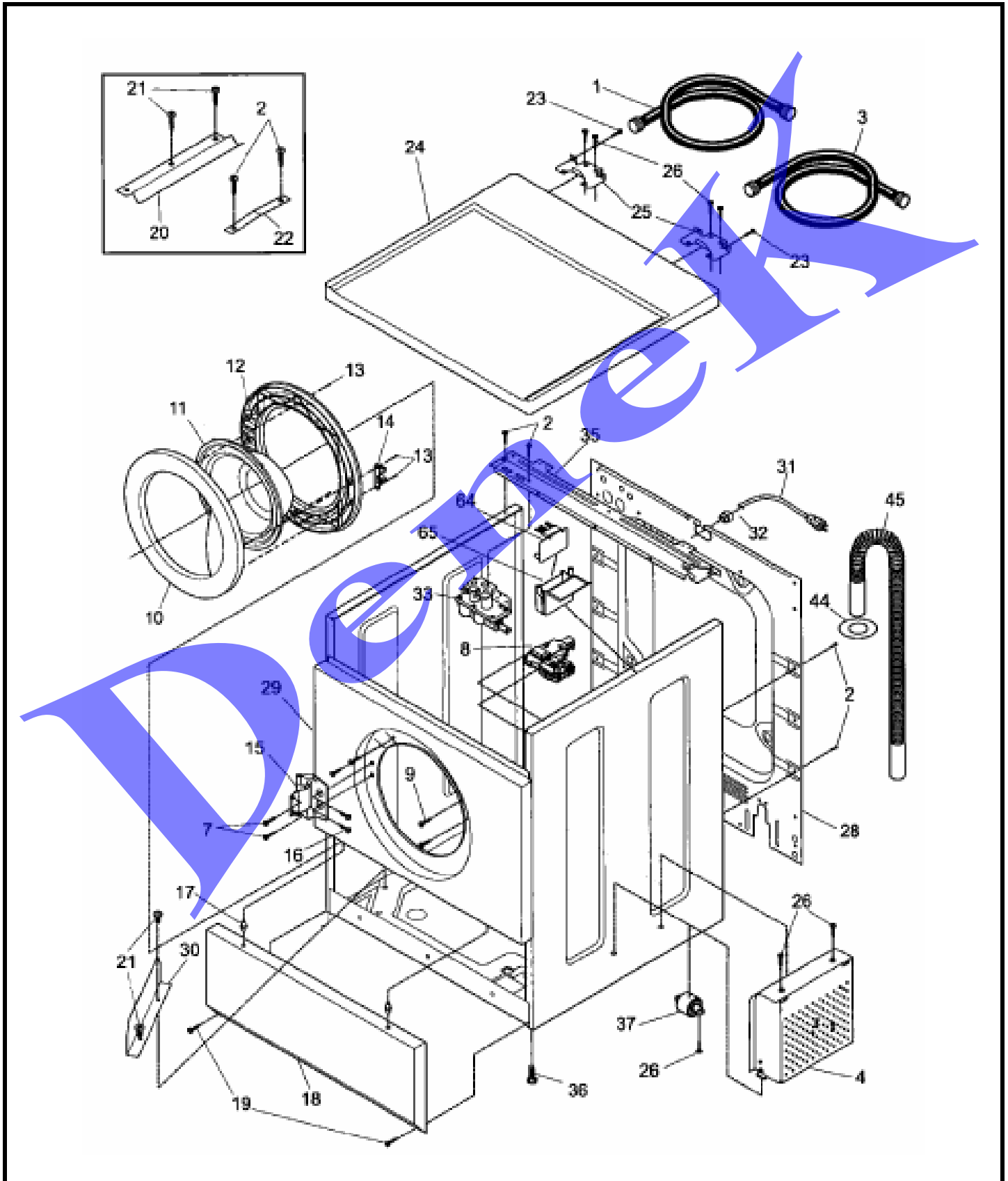
CONTROL PANEL

1	131272100	Cover,bleach
2	131272000	Cover,softener
3	131271900	DRAWER-DISPENSER
6	131714900	Latch,drawer handle ,white
7	131427500	SPRING
8	131373800	MAGNET
9	131729500	Handle,disp drawer ,with trim
11	131205100	Screw,No.8 pan head ,10-10B x 0.500 ,cr/sq drive
13	131891800	Switch,auto temp ,4 position
14	131724500	BUZZER
15	131243200	Switch,2 position
16	131724700	Lamp,status light
19	131243800	Screw,pan hd locking ,8-32CA x 0.375 ,cup point
21	131243700	Screw,pan head ,8-18AB x 0.375
26	131823400	Screw,8-18 x 2.00
27	131870600	Panel,disp drawer mt.
28	134094200	Trimplate WWH1LREF
29	131141105	Knob,rotary ,white/dk gray
30	131140601	Knob,timer ,white
31	131140703	DIAL,CLEAR/GRAY
32	131786100	Hose,siphon/valve
33	131306215	CLAMP
37	131271600	Hose,tub
39	131863300	SIPHON
42	131168200	Screw,pan head ,8-18B x 0.31
43	131749200	Gasket,seal
45	5303321107	Bushing,idler
46	131810012	PANEL-CONT MTG-WING BEND
52	131306242	CLAMP
53	131724800	Lens,status light ,clear
54	5308015493	Spacer,washer ,timer shaft
56	131266310	SCREW-END CAP, POH AB WHT HD, 8-18 X 1.250
57	131197000	Clip,console mtg
58	131122601	Cover,end cap ,white ,RH
59	131122701	End Cap,white ,RH
62	131721500	BRACKET-CONSOLE SUPPORT
64	131728900	Bracket,control mtg.
65	131122711	END CAP,WHITE ,LH
66	131122611	Cover,end cap ,white ,LH
68	134088700	Panel,console back
69	131908000	Wiring Harness,dispenser valve
70	5303015671	Screw,hex washer head ,8-18 x 0 .375 ,cup point
NI	134092200	Harness-console
NI	134092400	Harness-lower
NI	131931201	Dampener,vibration ,3.5 x 2 x 2 in. ,foam
F36	131974700	Valve,dispenser ,w/seal
F18	134014700	Timer,4-off

F44 131899800 Thermistor,w/hose & clamp
F17 131273700 SWITCH-PRESSURE
F12 131505901 Switch,reed
NI 131307900 Clamp,siphon/bellows

FRIGIDAIRE WTR1240AS0

WSHR CAB,DOOR



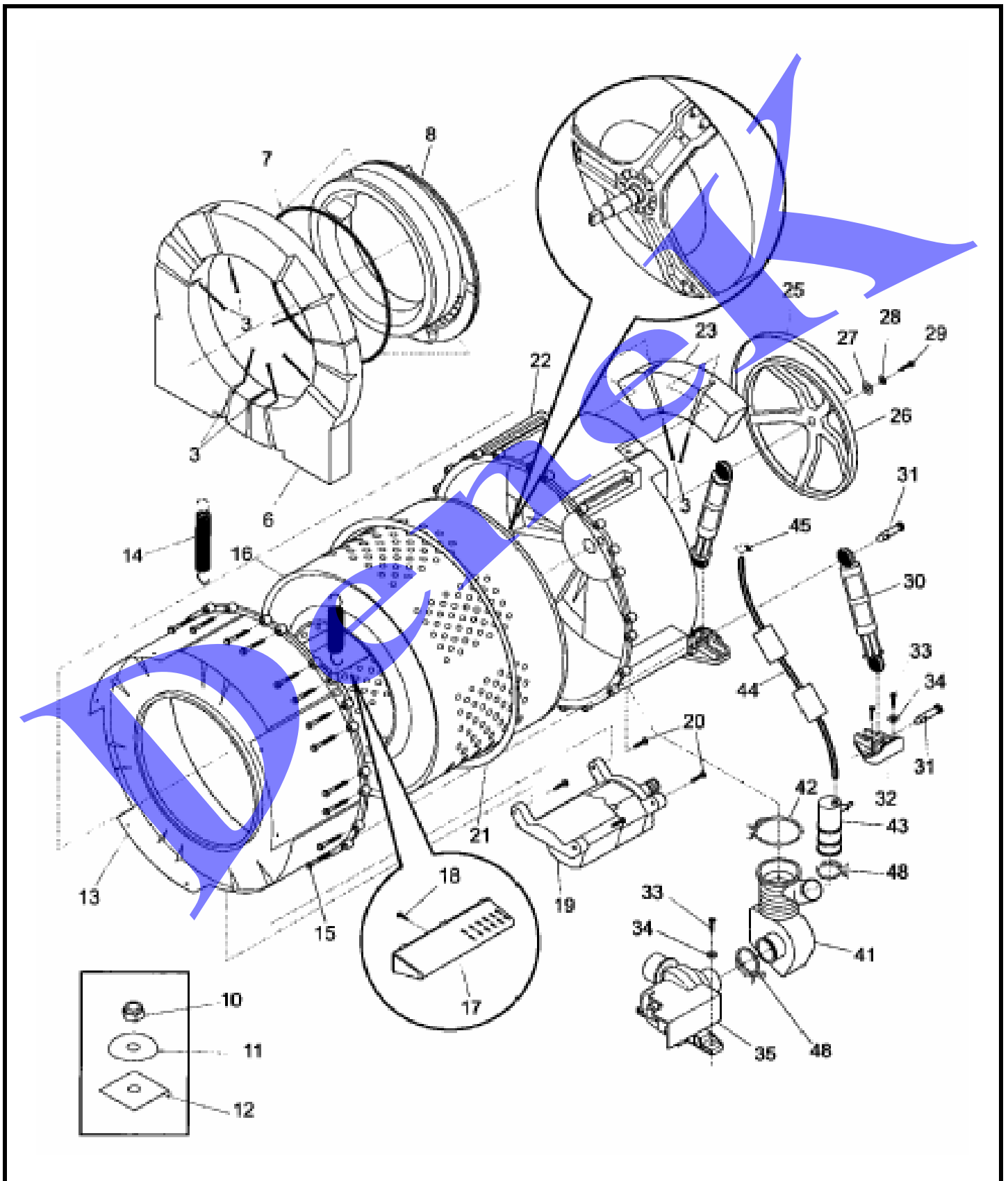
FRIGIDAIRE WTR1240AS0

WSHR CAB,DOOR

1	131279602	Hose,water inlet ,cold
2	131168200	Screw,pan head ,8-18B x 0.31
3	131279603	Hose,water inlet ,hot
4	131770700	SPEED CONT-MALLORY/SOLE MOTOR
7	131205300	Screw,10-16 x 0.750
8	131763200	Door Lock/Switch Assy
9	131303300	Screw,pan head ,10-16AB x 0.500 ,locking
10	131278700	Frame,outer door ,white
11	131278800	Panel,door glass
12	131278900	Frame,inner door ,white
13	131302901	Screw,10-16 x 0.750
14	131763300	CATCH-INTERIOR DOOR FRAME
15	131269300	HINGE-DOOR
16	131696300	Screw,quad pan head ,10-16 x 0.312
17	131346400	Pin,panel locator
18	131279300	Panel,service ,white ,front
19	131358400	Screw,hex washer hd ,8-18AB x 1.125
20	131460900	Bracket,top panel mtg. ,front
21	131243700	Screw,pan head ,8-18AB x 0.375
22	131279500	Retainer,spring steel
23	131243800	Screw,pan hd locking ,8-32CA x 0.375 ,cup point
24	134086832	Panel,washer top ,white ,console mtg
25	131668200	Bracket,top panel mtg.
26	131311900	Screw,quadrex ph ,8-18AB x 0.500
28	131978500	Panel,back
29	131752020	Panel-front-painted white
30	131859600	Shield,overflow
31	134100800	Power Cord,electric svce
32	5303209428	Bushing,power cord
35	131732901	Reinforcement brkt
36	131003900	FOOT BOLT/PAD/NUT (4)
37	131841601	Asmy-foot bolt/pad/nut
44	131707800	Ring,drain hose
65	131894600	Housing,temp cont board
F64	131944900	Control Board,temperature ,automatic
NI	131883101	BASE-MOUNTING-SCU
F45	131461200	HOSE-DRAIN
NI	131453001	BUSHING-TOP PANEL
F33	5303207418	Valve,water

FRIGIDAIRE WTR1240AS0

WSHR TUB,MOTOR



FRIGIDAIRE WTR1240AS0

WSHR TUB,MOTOR

3	131793302	Bolt,carriage ,1/4-20 x 4.00
6	131975300	Counterweight,one piece
7	131277300	Spring,boot retainer
8	131277100	BELLOWS
10	131304700	Nut,hex ,1/4-20 UNC-2B ,(2)
11	131276900	Washer,Bellville ,spring steel
12	131793500	Plate,counterweight
13	131618600	Shell,outer tub ,front
14	131663600	SPRING/SLEEVE
15	131303900	Screw,hex washer head ,1/4-10A x 2.165
16	131618500	Drum Assy,spin basket
17	131274600	VANE
18	131302800	Screw,10-16AB x 0.375
19	131770600	Motor
20	131303500	Screw,12-14AB x 1.50 ,motor mtg.
21	131275900	SEAL-SHELL
22	131462800	Shell,outer tub ,rear ,with bearing
23	131709300	WEIGHT-UPPER BACK
25	134051000	Belt,drive ,6-rib
26	131883400	Pulley,drum drive ,large ,rear
27	131304400	Washer,0.41 x 1.50 ,0.12 thick
28	131304500	Washer,lock ,3/8
29	131303700	Screw,pulley mtg. ,m10 x 0.92 ,metric
30	131268200	Shock Absorber,air ,stabilizer
31	131268300	Pin,shock mtg.
32	131268100	Bracket,shock mtg.
33	131303100	Screw,hex washer head ,10-16AB x 0.625
34	131304300	Washer,0.21 x 0.71 ,0.06 thick
35	131889800	PUMP-DRAIN H AXIS WSHR 40MM
41	131784700	HOSE-COIN TRAP-TUB TO PUMP
42	131333101	CLAMP
43	131277500	Chamber,air
44	131277600	Hose,air pressure
45	131306202	Clamp,hose
48	131306234	Clamp,hose ,wire
NI	131560000	Sleeve,protector ,lwr spring hook
NI	131592200	Sleeve,protector ,upr spring hook